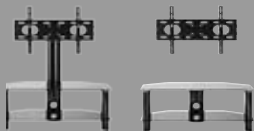


Product Information Sheet



Modena 47FP

The Core Collection is OmniMount's tried and true furniture collection made up of several different series of steel and glass A/V furniture. With clean lines, black glass and various high-gloss finishes, these pieces blend seamlessly into any environment. As the newest in the Core Collection, the Modena Series offers a unique, versatile approach to displaying flat panels in any home theater. Use the Modena 47FP in any of three ways: as a flat panel floor stand when a wall installation is not preferred or possible, as a separate piece of furniture and wall mount, or as a standalone video table without the post and mount.



The Modena 47FP can be used as a flat panel floor stand, or the mount and table can be separated to use individually

BENEFITS

- Uniquely designed to be used as a flat panel floor stand, or separate video table and mount
- Pans 30° left and right to adjust viewing angle (when used as flat panel floor stand)
- Low 1.5" mounting profile (when used as separate wall mount)
- Includes universal adapter for greater panel compatibility
- Lift n' Lock™ allows you to easily attach your flat panel to the mount
- Open area shelves accommodate multiple components
- Neatly route and organize wires through cable management post
- Locking system secures panel to mount

- Plastic feet protect floors
- Easy to assemble

SPECIFICATIONS

- Accommodates most 37" - 47" flat panels up to 110 lbs (49.9 kg)
- 8mm tempered glass top shelf supports up to 110 lbs (49.9 kg)
- 6mm tempered glass component shelf supports up to 50 lbs (22.7 kg)
- Universal and VESA compliant: 75x75 to 400x600
- Available in Black
- 41.3" w x 46.5" h x 19.8" d (1049mm x 1181mm x 503mm)

The Modena Series



Modena 37FP



Modena 47FP



Modena 55FP



Modena 47FP

BENEFITS

- Uniquely designed to be used as a flat panel floor stand, or separate video table and mount
- Pans 30° left and right to adjust viewing angle (when used as flat panel floor stand)
- Low 1.5" mounting profile (when used as separate wall mount)
- Includes universal adapter for greater panel compatibility
- Lift n' Lock™ allows you to easily attach your flat panel to the mount
- Open area shelves accommodate multiple components
- Neatly route and organize wires through cable management post
- Locking system secures panel to mount
- Plastic feet protect floors
- Easy to assemble

SPECIFICATIONS

- Accommodates most 37" - 47" flat panels up to 110 lbs (49.9 kg)
- 8mm tempered glass top shelf supports up to 110 lbs (49.9 kg)
- 6mm tempered glass component shelf supports up to 50 lbs (22.7 kg)
- Universal and VESA compliant: 75x75 to 400x600
- Available in Black
- 41.3" w x 46.5" h x 19.8" d
(1049mm x 1181mm x 503mm)



	Color	Stock Code	Packaging UPC
Americas	BLK	1004278-1	728901023682
International	BLK	1004278INT-1	728901023682

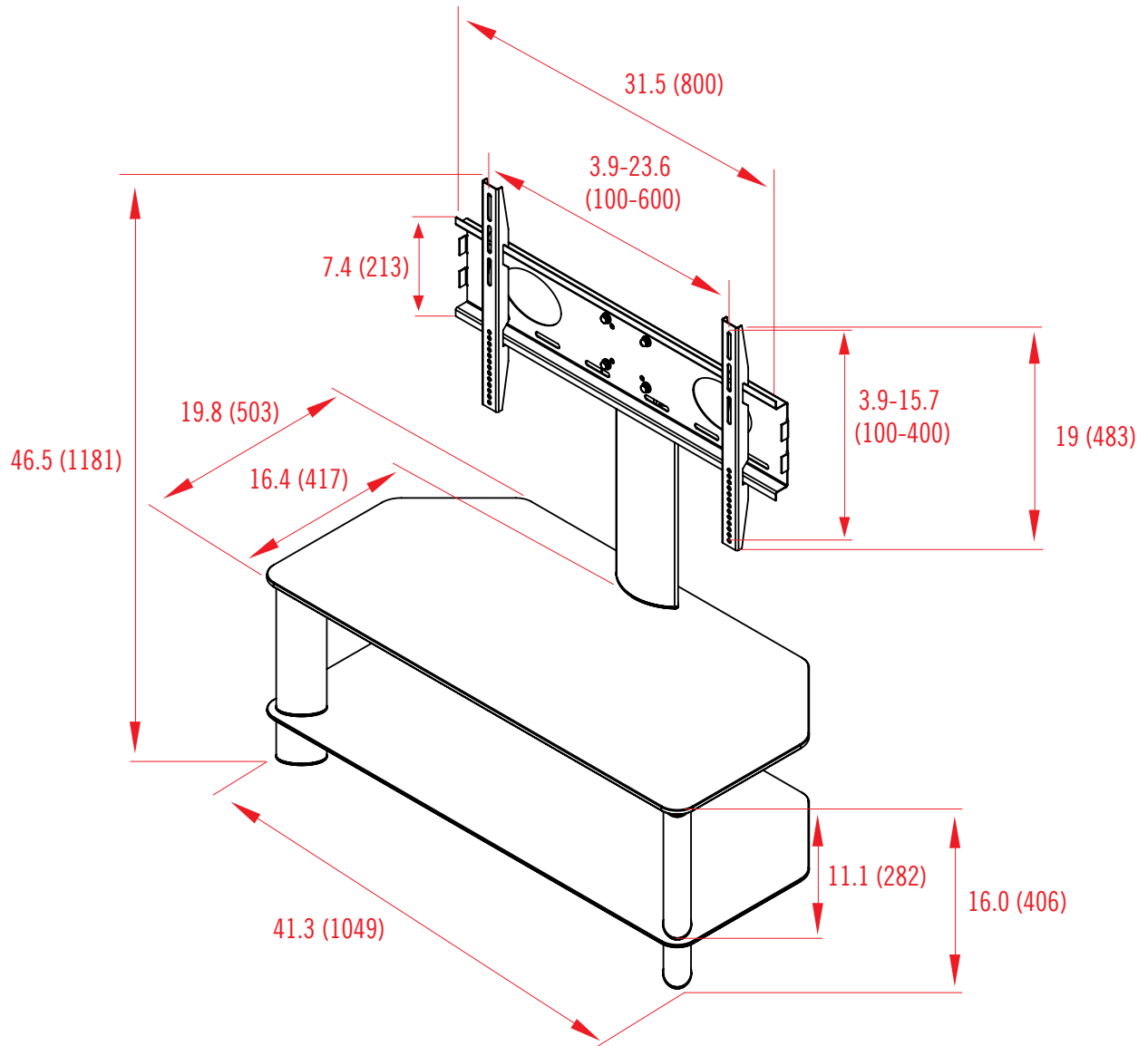
	Dimensions WxDxH inches (mm)	Wt lbs (kg)
Product Box	20.5 x 55.1 x 10.4 (521x1399x264)	67.9 (30.8)

Box Contents	Qty
Vertical rail	2
Mount plate	1
Top column	1
Short cable management column	1
Long cable management column	1
Column base	2
Long shelf support	2
Short shelf support	2

Box Contents	Qty
Base shelf support	2
Top glass	1
Glass shelves	2
Complete furniture assembly hardware kit	1
Complete panel mounting hardware kit	1
Complete panel attachment hardware kit	1
Instruction manual	1

OmniMount an innovator of A/V mounts and furniture for more than a quarter century, is the choice of professional installers and the brand most recommended by flat panel manufacturers. The Core Collection is OmniMount's tried and true furniture collection made up of several different series of steel and glass A/V furniture. With clean lines, black glass and various high-gloss finishes, these pieces blend seamlessly into any environment. Ideal for large flat panels, the Modena 47FP can be displayed in three different variations, offering you the versatility and flexibility you need as your home theater evolves.

Modena 47FP



inches (mm)