



Freestanding Range

FPEF3081K F

30" Electric



Signature Features



Fits-More™ Oven
More cooking space, plus even cooking.



PowerPlus™ Preheat
Preheat in less than six minutes.¹



PowerPlus™ Boil
Boil water faster with our 3,100-watt element.



PowerPlus™ Convection
You can roast to tender, juicy perfection in less time with our dual-fan convection technology.

Powerful Performance

- Auto Shut-Off
- PowerPlus™ and Rapid Clean Options
- Effortless™ Convection Conversion
- PowerPlus™ Broil (3,900W)

Performance-Driven Style

- Pro-Select™ Controls
- Real Stainless Steel
- Effortless™ Oven Rack
- Even Baking Technology
- Smoothtop Ceramic Glass Cooking Surface
- Halogen Lighting

SpaceWise™ Design

- Keep Warm Zone (100W)
- SpaceWise™ Half Rack
- SpaceWise™ Bridge Element - 7" / 7" (1,800W / 800W Bridge / 1,800W)
- Fits-More™ Cooktop

One-Touch Options

- Keep Warm
- My Favorite
- Chicken Nuggets
- Pizza
- Add-a-Minute
- One-Touch Self Clean

More Easy-To-Use Features

- Keep Warm Drawer with SpaceWise™ Half Rack
- Delay Start
- Hidden Bake Element
- Wide-View Window with Pro-Tint Finish

Sabbath Mode (Star-K® Certified)

Capacities

6.0 Cu. Ft. Oven Capacity

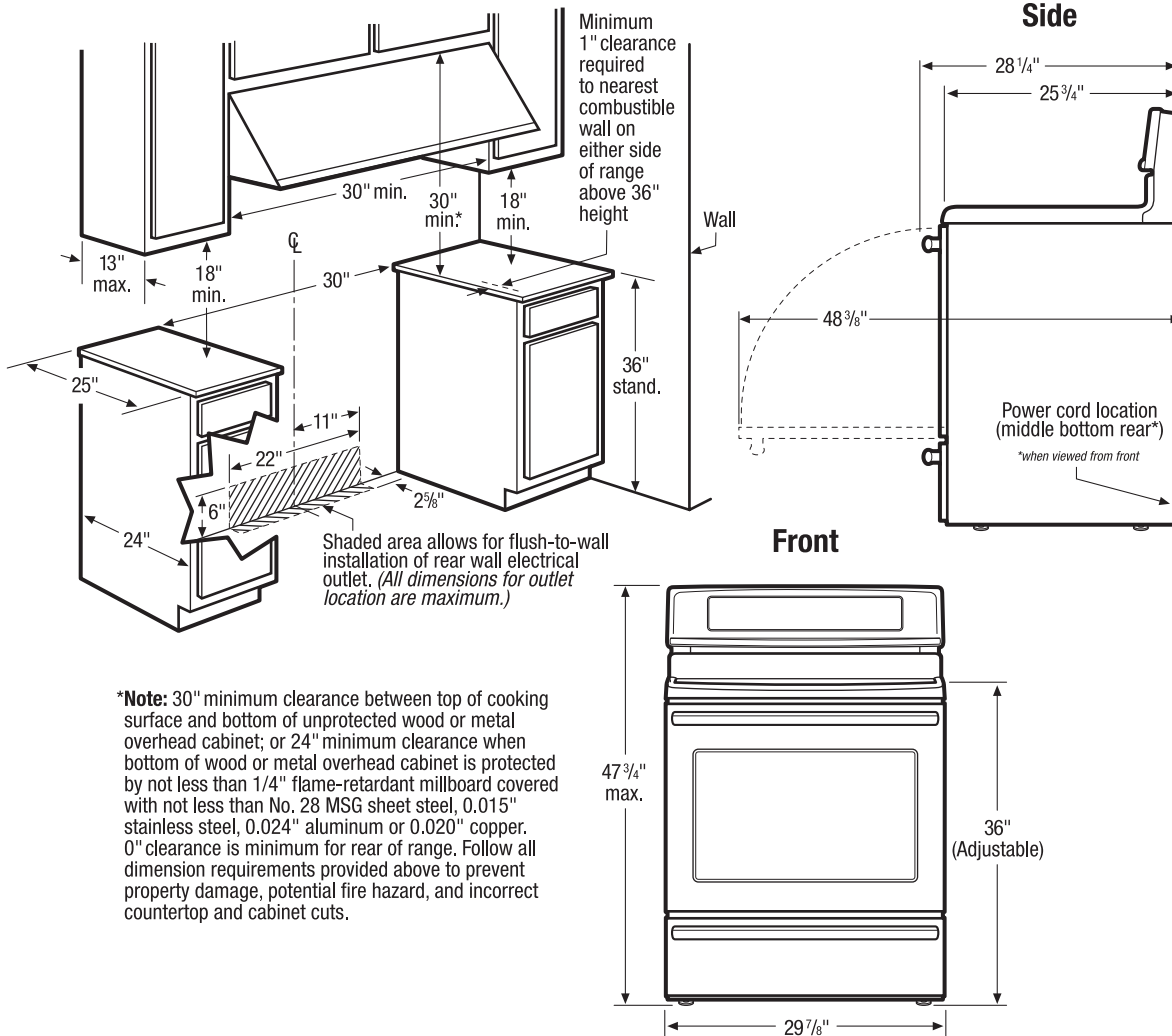
Overall Exterior Dimensions

Height 47"
Width 29-7/8"
Depth 28-1/4"

Available in:



¹Based on single rack cooking performance, not set temperature, using PowerPlus™ Preheat.



***Note:** 30" minimum clearance between top of cooking surface and bottom of unprotected wood or metal overhead cabinet; or 24" minimum clearance when bottom of wood or metal overhead cabinet is protected by not less than 1/4" flame-retardant millboard covered with not less than No. 28 MSG sheet steel, 0.015" stainless steel, 0.024" aluminum or 0.020" copper. 0" clearance is minimum for rear of range. Follow all dimension requirements provided above to prevent property damage, potential fire hazard, and incorrect countertop and cabinet cuts.

Freestanding Range Specifications

- Product Shipping Weight (approx.) - 210 Lbs.
- Single phase 3- or 4-wire cable, 120/240 or 120/208 Volt, 60 Hertz, fused on both sides of line with ground.
- Connected Load (kW Rating) @ 240/208 Volts = 14.5/11.5kW
- Recommended Circuit Breaker - 40 Amps
- Always consult local and national electric codes.
- Floor beneath range MUST be solid and level.
- Overhead cabinetry should not exceed a 13" maximum depth.
- Absolute minimum horizontal distance between overhead cabinets installed to either side of appliance must be no less than maximum width of appliance.
- Range can be installed flush to wall with 0" minimum rear clearance.
- Minimum 1" clearance required from edge of rangetop to nearest combustible wall on either side of range above 36" height.

- Allow 30" minimum clearance between top of cooking surface and bottom of unprotected wood or metal overhead cabinet; or 24" minimum clearance when bottom of wood or metal overhead cabinet is protected by not less than 1/4" flame retardant millboard covered with not less than No. 28 MSG sheet steel, 0.015" stainless steel, 0.024" aluminum or 0.020" copper.
- To reduce risk of fire when using overhead cabinetry, install range hood that projects horizontally a recommended minimum of 5" beyond bottom of cabinets.
- Follow all dimension requirements provided to prevent property damage, potential fire hazard, and incorrect countertop and cabinet cuts.

Note: For planning purposes only. Refer to Product Installation Guide on the web at frigidaire.com for detailed instructions.

