



FRIGIDAIRE

Factory Parts Catalog

Product No.	FPDS3085KFA
	37957371N93S1
Series	30" slide-in
Color	stainless
Market	North America
Wiring Diagram	318550104
Owner's Guide	318205853
Installation Instructions	318201679
Service Data Sheet	318127063

 **Electrolux**

Electrolux Major Appliances
North & Latin America
P.O. BOX 212378
AUGUSTA, GA 30917

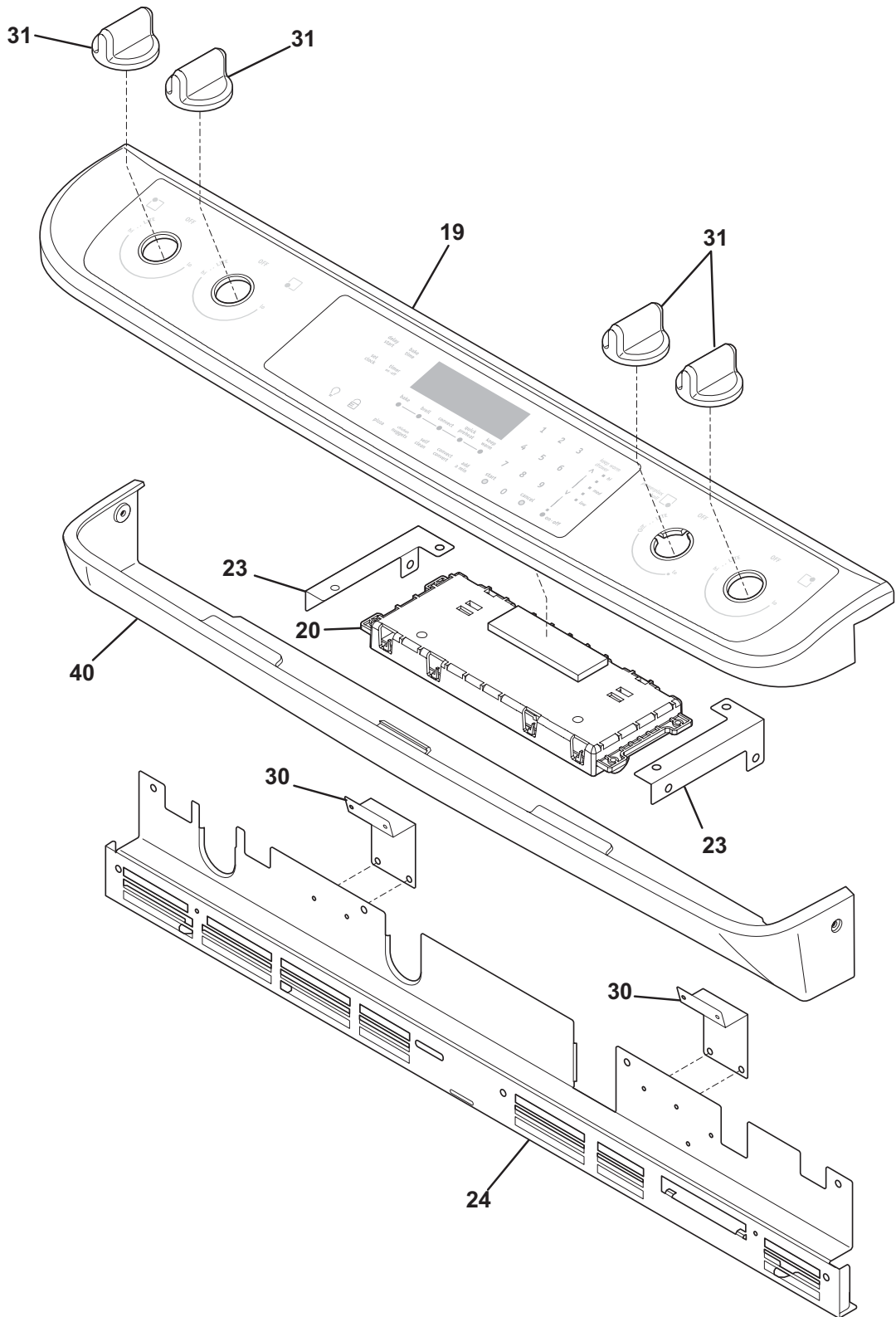
Publication No.
5995543229
09/06/18
(EN/SERVICE/ECL)
377

**30-INCH SLIDE-IN
DUAL FUEL RANGE**

Model No.
FPDS3085K

Copyright © 2009 Electrolux Home Products, Inc.
All rights reserved.

BACKGUARD



CFPGS3085KFA

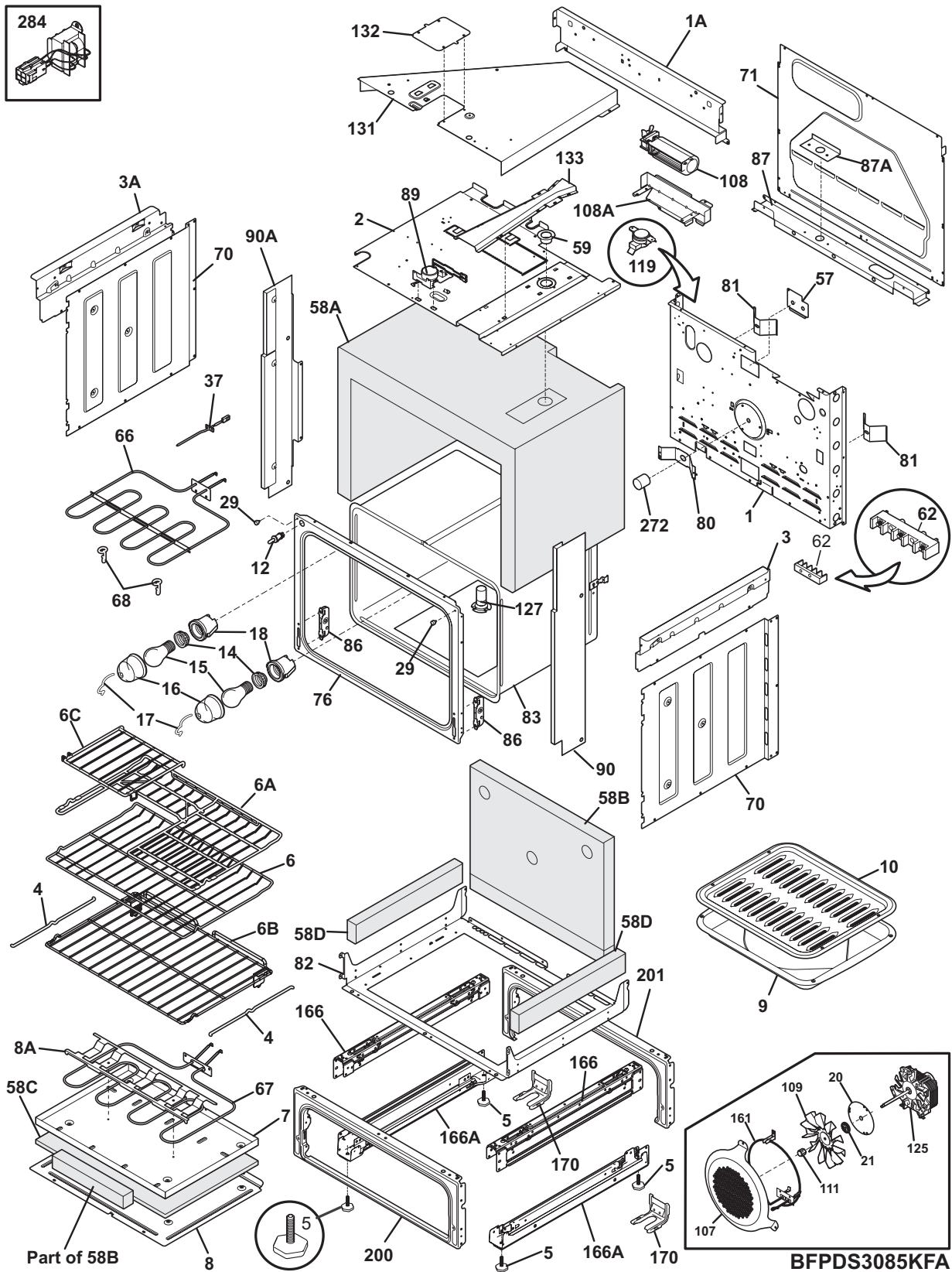
BACKGUARD

POS. NO	PART NO.	DESCRIPTION
19 #	318922147	Panel Assembly, control, stainless, w/overlay-trim
20 #	316462864	Controller, electronic, ES530
23	318921300	Bracket, control mtg, (2)
24	318913101	Trim, vent, black, upper
30	318928500	Bracket, control panel, rear, (2)
31	316564411	Knob, control, stainless
40	318912907	Panel, service, silver
40*	5303300265	Screw, 8-18 X 1/2, silver, (4)
* #	318224861	Harness, wiring, timer
*	08016432	Screw, truss head, 8-18 x 0.375
*	5304453707	Screw, 8-18 X 1/2

BURNER

POS. NO	PART NO.	DESCRIPTION
1 #	318913400	Manifold, right side
1A #	318907200	Manifold, pipe, LH
1B #	318913500	Tube, connection, manifold
2 #	318915700	Valve, top burner, 5K
2A #	318915701	Valve, top burner, 9.5K
2B #	318915703	Valve, top burner, 14K
2C #	316412513	Valve, top burner, 18K
3 #	318232659	Wiring Harness, w/igntr switch
4	5304472956	Screw, hex wash, 6-32 x .485
10 #	316438200	Burner, sealed, 5K
10A#	316558300	Burner, sealed, 9.5K
10B#	316438600	Burner, sealed, 14K
10C#	318567000	Burner Assembly, twin
11 #	316540800	Ignitor/orifice assy., top burner, 5K, w/holder
11A#	316540700	Ignitor/orifice assy., top burner, 9.5K, w/holder
11B#	316543206	Ignitor/orifice assy., top burner, 14K, w/holder
11C#	316440100	Ignitor/orifice assy., top burner, twin, 17K, w/holder
12 #	318916800	Tube, burner supply, RH rear
12A#	318916500	Tube, burner supply, LH front
12B#	318916600	Tube, burner supply, LH rear
12C#	318928100	Tube, twin burner, inside
12D#	318928200	Tube, twin burner, outside
13 #	318913600	Tube, rgltr to manf
14 #	318122721	Regulator, pressure
*	5303311306	Screw, 8-18 x 0.375, (6)
16	318590002	Panel, regulator mtg.
37	316240600	Screw, assy mtg, (8), ignitor/orifice
44 #	316527504	Orifice, top burner, 5K
44A#	316527500	Orifice, top burner, 9.5K
44B#	316527513	Orifice, top burner, 14K
44C#	316527514	Orifice, top burner, simmer
47 #	318565406	Conversion Kit, LP
72	316215600	Screw, valve mtg., 1/4 - 20
76	318906702	Bracket, manifold, (2)
77	318920300	Bracket, burner mtg, (4)
77A	318384103	Bracket, burner, dual
* #	318199776	Wiring Harness, ignitor
*	5303211311	Screw, 8 x 0.500
*	5303323277	Screw, 8-18 X 13/32

BODY



BODY

POS. NO	PART NO.	DESCRIPTION
1	318259220	Back, main
1A	318225110	Panel, main back, upper
*	5303324184	Screw, 8-18 x 5/16, black, (4)
2	318258957	Shield, insulation, upper
3	318225210	Panel, bodyside, upper RH
3A	318225211	Panel, bodyside, upper LH
4	318927600	Support, auto rack, (2)
5	318175508	Screw, leveling
6	318922301	Rack, oven
6A	318926803	Rack, half, oven
6B	318921600	Rack, oven, auto
6C	318929702	Insert, half rack
7	318297303	Box, bake element
8	318359500	Panel, service
8A	318313601	Bracket, bake element
9	316081900	Pan, broiler, OPTIONAL ACCESSORY
10	316082000	Insert, broiler pan, OPTIONAL ACCESSORY
12	316445501	Switch, oven light, door frame
14	318224000	Receptacle, oven light
15	5303013071	Bulb/Lamp, light
16	318406100	Lens, oven light, glass
17	5304400195	Retainer, light cover
18	318222400	Housing, oven light
18*	318368500	Seal, housing, flat washer, lower oven
20	318389400	Plate, retainer
21	318389000	Seal, ring
29	316517600	Spacer, oven door
37 #	316217002	Probe, oven temp
57	318402800	Plate, cover
58A	318536600	Insulation, wrapper, top and sides
58B	318285079	Insulation, oven back
58C	318294912	Insulation, bake element
58D	318372001	Insulation, door, 20.5 x 2.375, (2)
59	318072577	Duct, oven vent
62	5303935061	Terminal Block Kit
62*	318264200	Plate, grounding strap
62*	5303323136	Screw ground
62*	5303323139	Screw, 10-24 x 0.906
62*	5303323144	Nut, 10-32
66 #	318255800	Element, broil, 4000W
67 #	318254911	Element, bake, 2500W, 8 pass
68	5304403015	Support, hanger, (4), broil element
70	318259100	Shield, insulation, sides, (2)
71	318260007	Panel, rear box
76	318056292	Front, oven
80	5303320846	Plate, oven mtg
81	318192400	Spring, oven
*	5303323129	Screw, 8 X 0.750
82	318258715	Shield, insulation, lower
83	318261439	Liner, oven assy
86	318561100	Receptacle, hinge, (2)

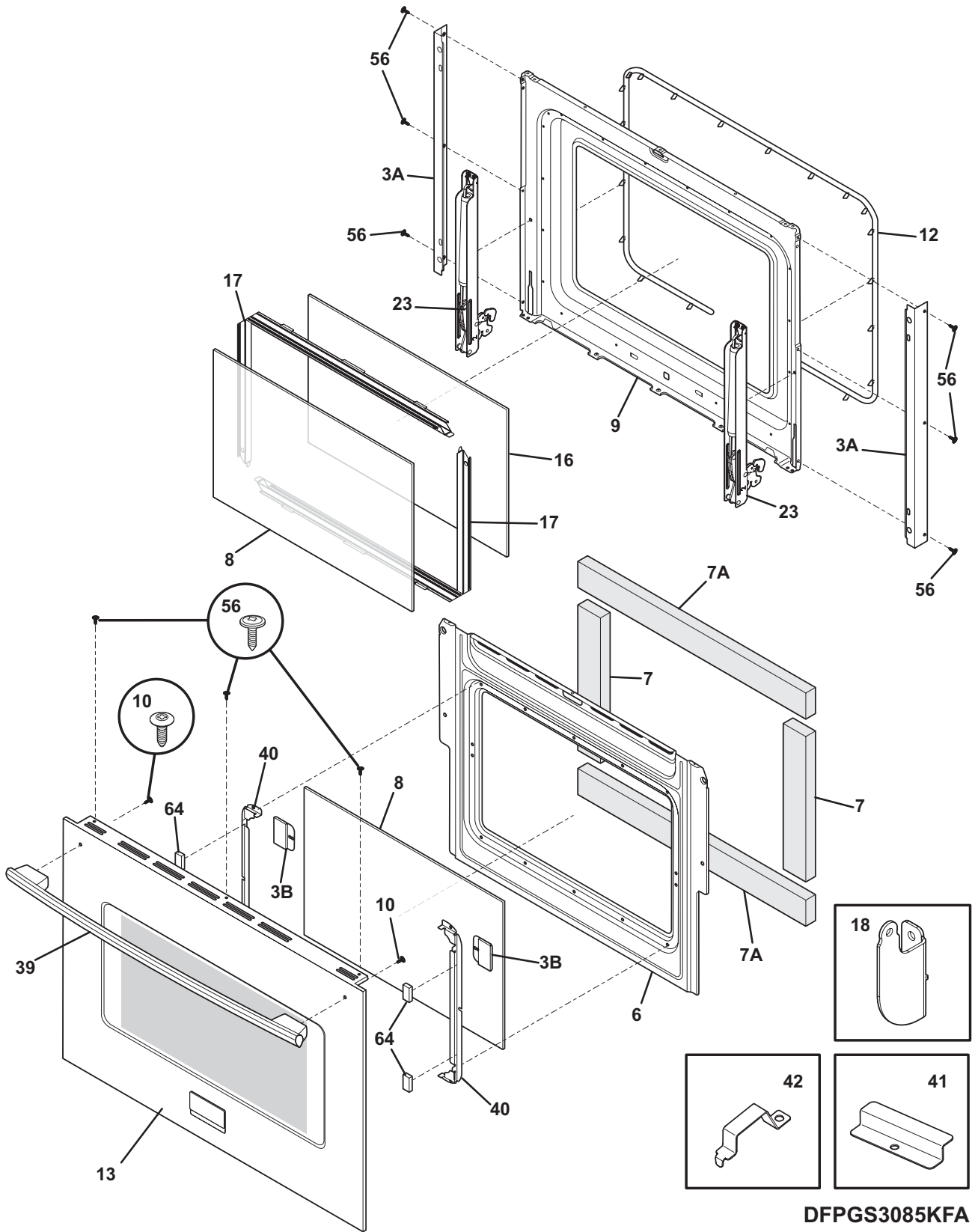
BODY

POS. NO	PART NO.	DESCRIPTION
86*	5304461333	Screw, 10-32 x 17/32
87	318260609	Bracket, cable mtg.
87A	318111806	Plate, cord set mtg
89 #	318261215	Motor, latch assy
90	318296904	Panel, filler, black, RH
90A	318296905	Panel, filler, black, LH
107	318219405	Cover, fan
108#	318073028	Motor, blower
*	318165800	Spacer
108A	318251300	Bracket, fan support
109	318398300	Fan Blade
111	318399800	Nut, fan retainer
119#	318004902	Switch, thermal
125#	318398201	Motor, fan
125*	318142100	Washer, motor, convection
127	318357001	Adapter Assembly, w/vent tube, and catalyst
131	318272901	Box, vent
132	318003000	Plate, shield
133	318347800	Chimney
161#	318255504	Element, convection, 350 W
166	318298410	Bracket, base support, (2)
166A	318298403	Bracket, base support, lower, (2)
170	318335500	Anti-tip & accessories
200	318298226	Frame, drawer, front
201	318298230	Frame, drawer, black
*	318531701	Spacer, (2)
272	318249409	Tube, protector
284	316536100	Transformer
* #	318384442	Wiring Harness, main
*	5304400192	retainer wire
*	318235300	Connector assy., w/3 lugs, & instructions
*	3051050	Screw, shoulder
*	08002868	Screw, 10-24 x 0.500, probe, thrm brkt, shield, drwr, box
*	5303211311	Screw, 8 x 0.500
*	5303323277	Screw, 8-18 X 13/32
*	5304415832	Screw, 8-18 x 0.406
*	5304436875	Screw, 8-18 X 1/2, black
*	5304440988	Screw, 10-16 x 3/4

TOP

POS. NO	PART NO.	DESCRIPTION
1	318304401	Drawer, body assembly
1A	318300003	Panel, warmer drawer, side, (2)
2	318303901	Panel, drawer, black, inner
4	318298825	Panel, drawer, stainless, front
8 #	316135702	Module, spark
13	318259507	Glide, warmer, inner RH
13A	318259506	Glide, warmer, inner LH
16	318289643	Maintop Assembly, black
19	318394300	Plate, shutter
20	318560130	Grate, burner, black, (2)
20A	318560340	Grate, burner, black, center
22	316438304	Cap, 5K burner, black
22A	316527704	Cap, 9.5K burner, black, medium, (2)
22B	316438704	Cap, 14K burner, black
22C	316441204	Cap, 17K twin burner, black, (2)
29	318147430	Bumper, (2)
39	316551500	Handle, door/drawer, stainless
46	318921401	Box, burner
57	318295611	Panel, service
58C	318285099	Insulation, flue
60	5304472906	Screw, handle mtg, #10-24 x 1.5, (2)
*	3201909	Washer, flat, (2)
81 #	318255301	Element, warmer drawer
84 #	318005108	Thermostat
85	318345601	Rack, warmer drawer
86	316095800	Clip, hold down, warmer element
87	318300102	Panel, warmer drawer, lower
124	316105501	Glide, outer/RH & LH, (2)
165	318913300	Deflector, box, front
*	3051050	Screw, shoulder
*	5303211311	Screw, 8 x 0.500
*	5303300265	Screw, 8-18 X 1/2, silver, (4)
*	5303307980	Screw, 8-32 x 0.437, (8)
*	5304440988	Screw, 10-16 x 3/4

DOOR

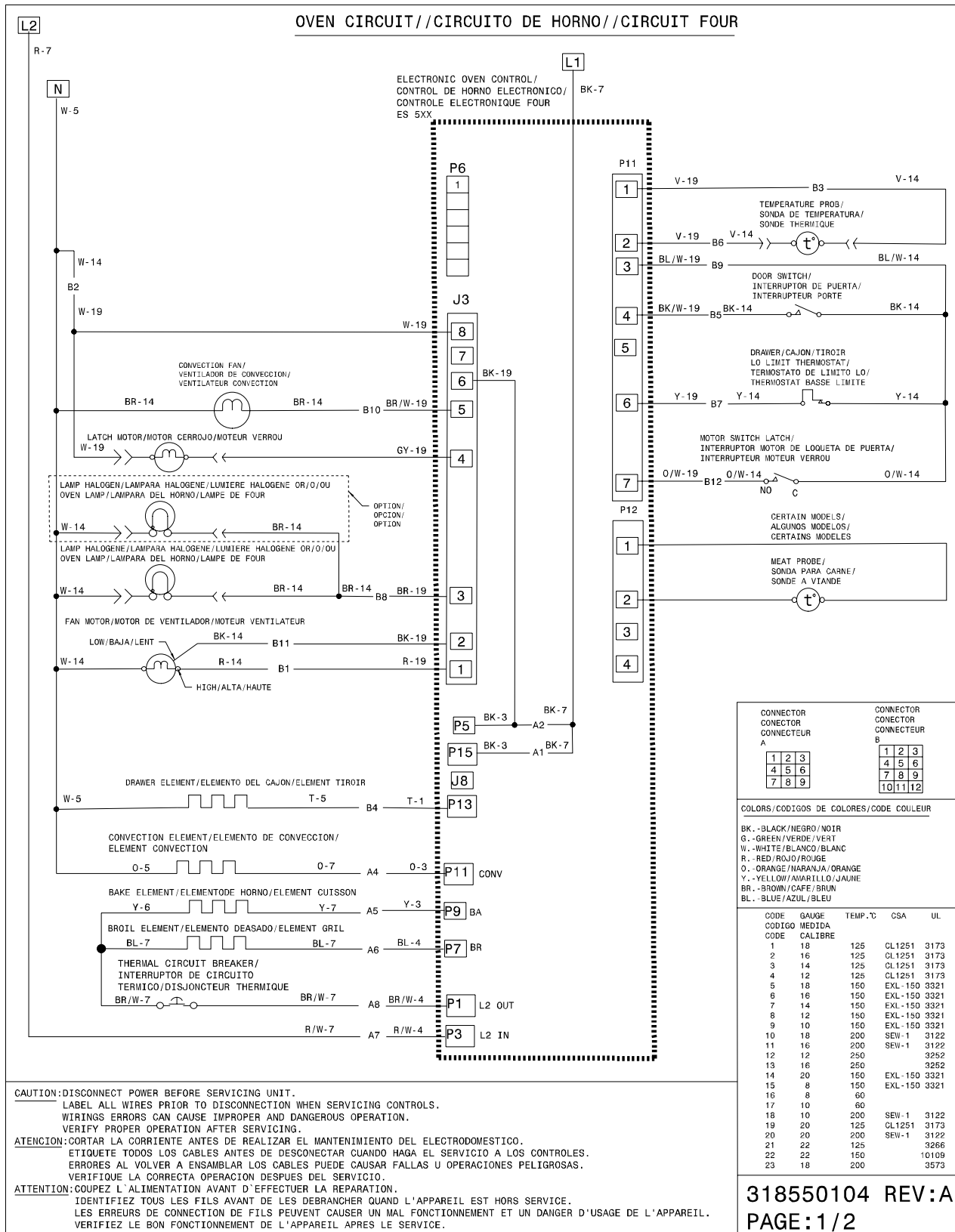


DFPGS3085KFA

DOOR

POS. NO	PART NO.	DESCRIPTION
3A	318260401	Trim, oven door, side, (2)
3B	318262101	Cover, rear door, black, (2)
6	318260522	Baffle, door
7	318372000	Insulation, door, (2)
7A	318372002	Insulation, door, (2)
8	316117500	Glass, oven door, heat barrier
9	318411610	Liner, oven door
10	5304472906	Screw, handle mtg, #10-24 x 1.5, (2)
12	318053132	Gasket, oven door seal
13	318927800	Door Assembly, outer, steel/glass, stainless, w/badge
16	318212210	Glass, oven door, heat barrier, lower door
17	318264710	Spacer, glass, lower, (2)
18	316547900	Link, door, (2), auto rack
*	08016432	Screw, truss head, 8-18 x 0.375
23	318567100	Hinge, upper, oven door, (2)
*	5304461333	Screw, 10-32 x 17/32
39	316551500	Handle, door/drawer, stainless
40	318242702	Bracket, glass holder, door, (2)
41	318370600	Bracket, glass retainer, (2)
42	318382301	Bracket, glass retainer, (4)
56	5304436875	Screw, 8-18 X 1/2, black
64	318165800	Spacer
*	316221001	Label, anti-tip
*	5303300265	Screw, 8-18 X 1/2, silver, (4)

WIRING DIAGRAM



WIRING DIAGRAM

COOKTOP CIRCUIT / CIRCUITO DE PLANCHA DE COCINAR / CIRCUIT TABLE CUISSON

