

# WNRD2050G

## GE® 3.5 Cu. Ft. Commercial Washer

### Dimensions and Installation Information (in inches)

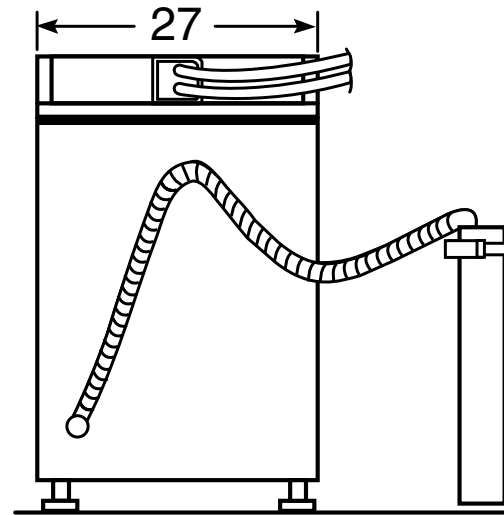
**Energy Saving:** All wash cycles include energy-saving cold water rinse. Connector in back splash can be joined for warm rinse. Total cycle time—24 minutes plus fill time. Actual wash time is 8 minutes with a final spin speed of approximately 630 RPM.

**Electrical Requirement:** 115 Volts, 60 Hertz

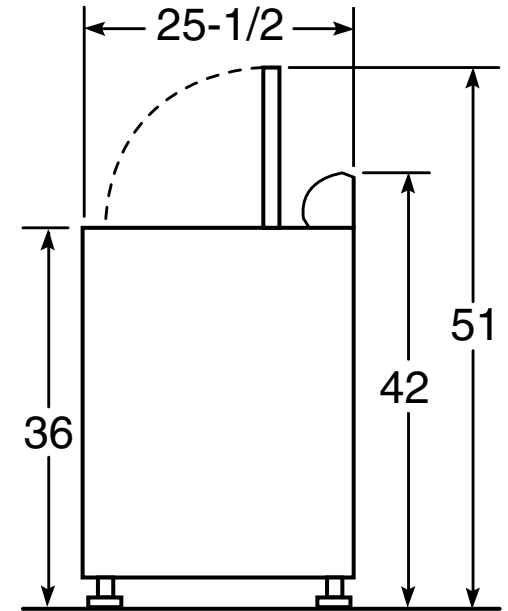
An individual, properly grounded 15-or 20-amp branch circuit is required.

**Note:** Coin slide or coin drop, coin vault, and locks for cover and meter case access door are not provided with washer.

**Installation Information:** For complete information, see installation instructions packed with product.



Rear View



Side View

For answers to your Monogram®, GE Profile™ or GE® appliance questions, visit our website at [ge.com](http://ge.com) or call GE Answer Center® service, 800.626.2000.



imagination at work



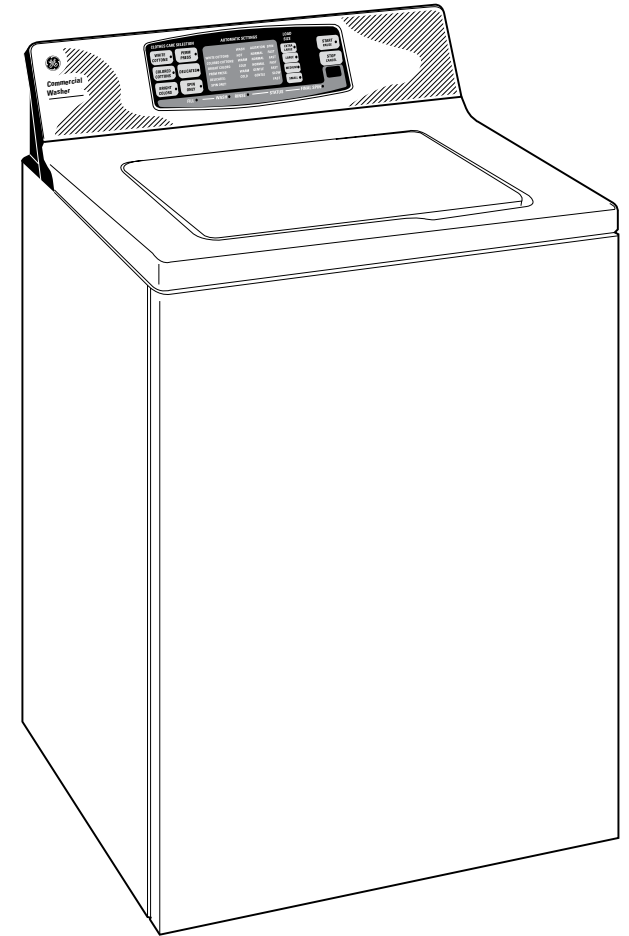
Listed by  
Underwriters  
Laboratories

# WNRD2050G

## GE® 3.5 Cu. Ft. Commercial Washer

### Features and Benefits

- LED Readout – Provides accurate wash times, from fill to finish
- Three Wash/Spin Speeds – Matches wash action to fabric type for better cleaning and clothes care
- Five Wash Cycles – A cycle for almost every fabric, from the heaviest cottons to the finest handwashables
- Three Wash/Rinse Temperatures – Allow you to select the right temperature for better wash results and longer fabric life
- Deluxe Quiet – Lets you do the wash anytime, whether it's nighttime or naptime
- Bleach Dispenser – Automatically mixes bleach with wash water for proper bleaching action
- Model WNRD2050GWC – White



For answers to your Monogram®, GE Profile™ or GE® appliance questions, visit our website at [ge.com](http://ge.com) or call GE Answer Center® service, 800.626.2000.



imagination at work



Listed by  
Underwriters  
Laboratories

Specification Revised 12/07

370415