

# WPRE6150K

## GE Profile™ 4.1 IEC Cu. Ft. Colossal Capacity Washer with Stainless Steel Basket

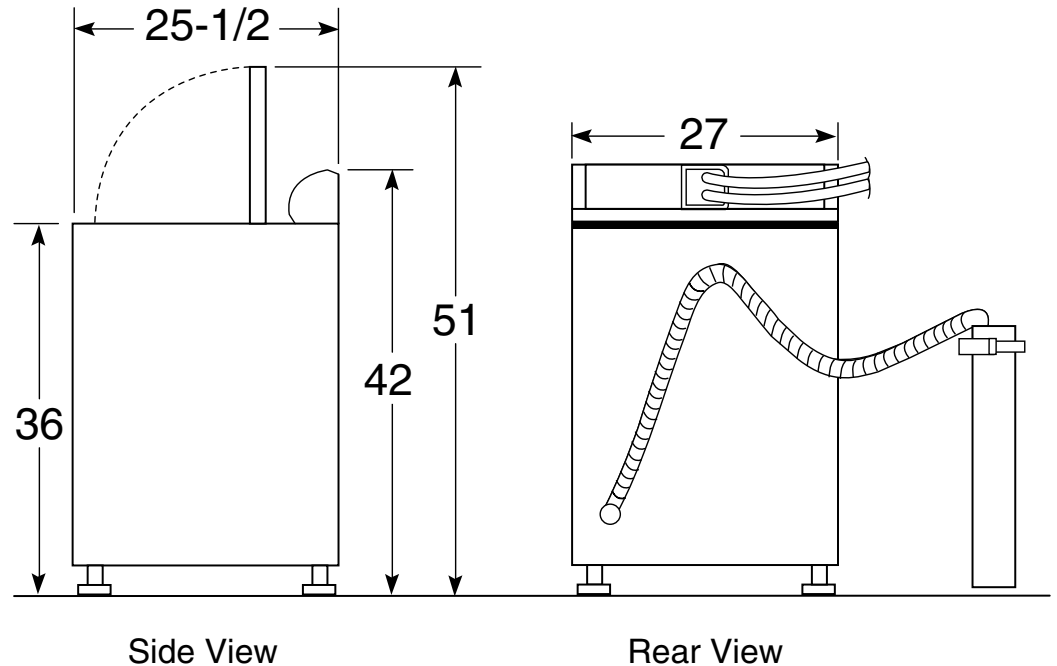
### Dimensions and Installation Information (in inches)

**Circuit Requirements:** An individual, properly-grounded branch circuit, with a three-prong grounding-type receptacle, protected by a 15 or 20 amp circuit breaker or a time-delay fuse, is required.

**Electrical Rating:** 120V, 60Hz, 10A

**Note:** Washer wall outlet must be located within 36" of service code entry. Wall outlet must not be located behind dryer.

**Installation Information:** Before installing, consult installation instructions packed with product for current dimensional data.



For answers to your Monogram®, GE Profile™ or GE® appliance questions, visit our website at [ge.com](http://ge.com) or call GE Answer Center® service, 800.626.2000.

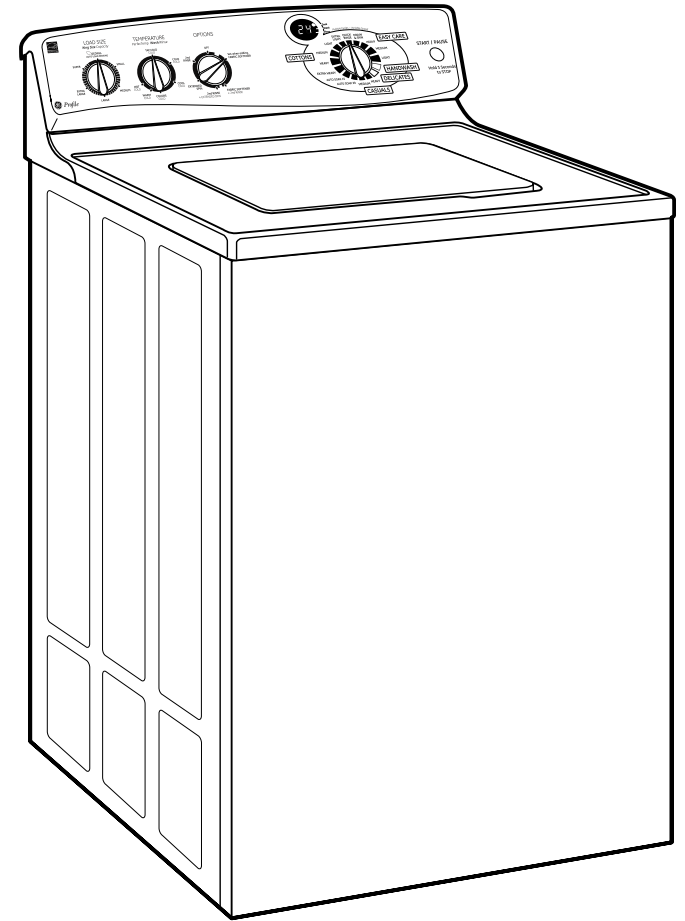


# WPRE6150K

## GE Profile™ 4.1 IEC\* Cu. Ft. Colossal Capacity Washer with Stainless Steel Basket

### Features and Benefits

- ENERGY STAR® Qualified - Meets or exceeds federal guidelines for energy efficiency, which means year-round energy and money savings
- 4.1 IEC\* Cu. Ft. Colossal Capacity - Makes room for more items which means less time doing laundry \*Washes equivalent amount of clothes as a similar cu. ft. agitator machine per IEC 60456 Edition 4
- PreciseFill Auto-Load-Sensing Technology - Washer will automatically measure the load size and add just the right amount of water
- HydroWave™ Wash System - Has variable speeds to match the wash action to the clothing type; Longer, slower travel through the water improves cleaning performance and is gentler on your clothes
- Five Wash/Spin Speed Combinations - Speeds are matched to fabric type for better clothes care
- RainShower™ Rinse System - Uses less water, providing clean rinse performance similar to a high-efficiency washer
- Multiple Wash Cycles - Delivers optimal cleaning results
- 6 Wash/Rinse Temperatures - Offer greater degree of control over fabric cleaning and care
- Variable Water Levels - Give you the option of adjusting the water levels to match load size, reducing water usage
- 2nd Rinse Option - Helps protect delicate fabrics and sensitive skin
- Extended Spin - Longer spin means less time drying
- Model WPRE6150KWT - White with silver backslash



imagination at work