



VK 230 710
with integrated control panel
Width 12" (29 cm)

Included accessories

- 1 glass lid with knob handle
- 1 perforated cooking insert
- 1 unperforated cooking insert
- 1 handle
- 1 outlet strainer filter.

Optional accessories

- VD 201 010
Shot-blasted aluminum appliance cover.
- VV 200 000
Connecting strip for combination with other Vario appliances with integrated control panel.
- GE 020 010
Unperforated cooking insert.
- GE 020 020 Perforated cooking insert.
- FK 023 000
Pasta basket.
- AG 060 000
Drain installation set enables drainage of cooking liquid into a suitable receptacle.

200 Series Vario electric in-counter steamer
VK 230 710

- Special appliances from the professional kitchen. Individually combined with a continuous aluminum control panel.
- Cooking at a defined temperature. Fish cannot fall apart at 185° F.
- Pressureless cooking. Cooked food is easily accessible and does not fall apart.

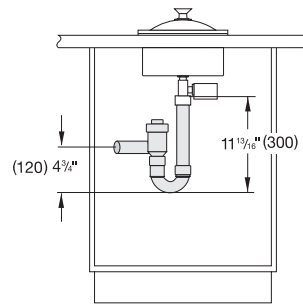
Cooktop and basin made of shot-blasted stainless steel. Electronic water temperature control from 100° F to 200° F, in 10° F increments. Steam cooking levels with electronic steam control for pressureless cooking. Special heating system. Electronic short-period timer up to 90 min. Remaining time display. Automatic switch-off function. Water drain valve 1/2", motor driven. Function display. Water volume 1 to 6.4 quarts (1 – 6 liters). Automatic boiling point detection. Child lock.

Planning notes

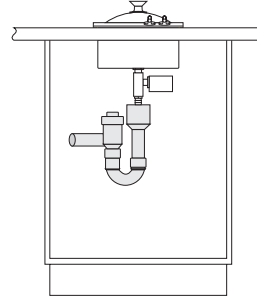
VK 230 and VF 230 must not be installed directly next to one another. In combination with the downdraft VL 040/041/051, this should be planned on the left of the VK. Keep the floor drain behind the door in the base cabinet accessible. Appliance is intended for direct drain water connection, but can be fitted without a drain connection by using the accessory AG 060 000. If a cover is fitted, the glass cover must be removed when closing it. Order the cover separately. Minimum distance from wooden side panels should be at least 7 7/8". A ventilator hood is recommended when an upper cabinet is installed above the steamer. Appliance clicks into place when inserted in the countertop from above. The steamer is equipped with a 67" power cable.

Rating

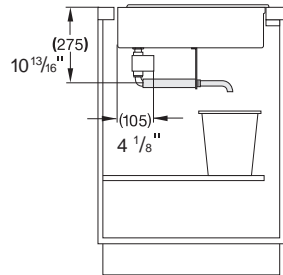
Total rating: 1.8 kW
Total Amps: 15
120V / 60Hz



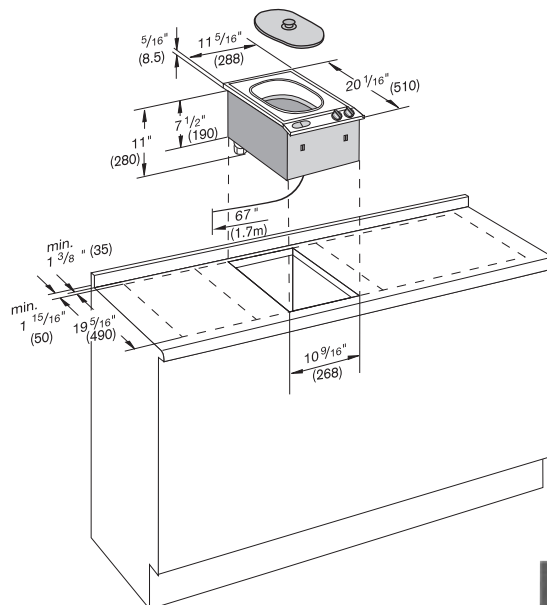
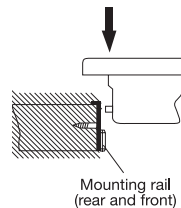
Drain connection available in base cabinet. A check valve must be installed.



Drain connection available in base cabinet. It is necessary to install a non-return valve.



Drainage to a collecting container (e.g. a pot). Only possible with AG 060 000 drain installation set.



Numbers indicated inside parenthesis () = mm

