

ULPT-L product information sheet

Product Specifications

Fits most: 37" - 63" flat panels

Supports up to: 200 lbs (90.7 kg)

Tilt: 0 to +15°

Mounting profile: 1.5" (37mm)

Universal & VESA compliant: 200x200, 200x300, 200x400, 200x600, 200x800, 300x300, 300x400, 400x400, 400x600, 400x800

Mounting: Double-stud

Color: Black

Product Benefits

- Ultra low profile design
- Tilts up to 15° to reduce glare
- Innovative built-in kickstand makes wiring your panel convenient
- Universal rails for greater panel compatibility
- Tension adjustment for variable tilt
- Sliding lateral on-wall adjustment
- Open architecture provides easy access to in-wall wiring
- Lift n' Lock™ allows you to easily attach your flat panel to the mount



- Locking system secures panel to mount
- Wall plate covers conceal mounting hardware
- Extruded aluminum end caps present a clean side view
- Includes installation template and complete hardware kit



The ULPT-L is designed with an innovative built-in kickstand which allows one person to wire the panel with no vertical lifting

Series



ULPT-M



ULPF-M



ULPT-L



ULPF-L



ULPT-X



ULPF-X



OmniMount, an innovator of A/V mounts and furniture for more than a quarter century, is the choice of professional installers and the brand most recommended by flat panel manufacturers. The Ultra Low Profile Series offers a sleek and slim design without compromising functionality. The ULPT-L supports 37"- 63" flat panels and has a slim 1.5" mounting profile making it an ideal tilt mounting solution when seamless integration counts most.



ULPT-L technical data sheet



OmniMount, an innovator of A/V mounts and furniture for more than a quarter century, is the choice of professional installers and the brand most recommended by flat panel manufacturers. The Ultra Low Profile Series offers a sleek and slim design without compromising functionality. The ULPT-L supports 37" - 63" flat panels and has a slim 1.5" mounting profile making it an ideal tilt mounting solution when seamless integration counts most.



ULPT-L LISTED

Product Specifications

Fits most: 37" - 63" flat panels

Supports up to: 200 lbs (90.7 kg)

Tilt: 0 to +15°

Mounting profile: 1.5" (37mm)

Universal & VESA compliant: 200x200, 200x300, 200x400, 200x600, 200x800, 300x300, 300x400, 400x400, 400x600, 400x800

Mounting: Double-stud

Color: Black

Product Benefits

- Ultra low profile design
- Tilts up to 15° to reduce glare
- Innovative built-in kickstand makes wiring your panel convenient
- Universal rails for greater panel compatibility
- Tension adjustment for variable tilt
- Sliding lateral on-wall adjustment
- Open architecture provides easy access to in-wall wiring
- Lift n' Lock™ allows you to easily attach your flat panel to the mount
- Locking system secures panel to mount
- Wall plate covers conceal mounting hardware
- Extruded aluminum end caps present a clean side view
- Includes installation template and complete hardware kit

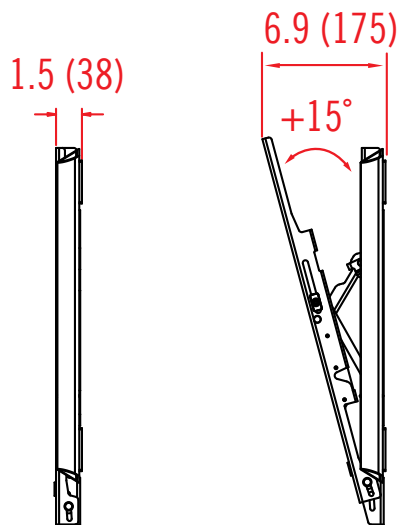
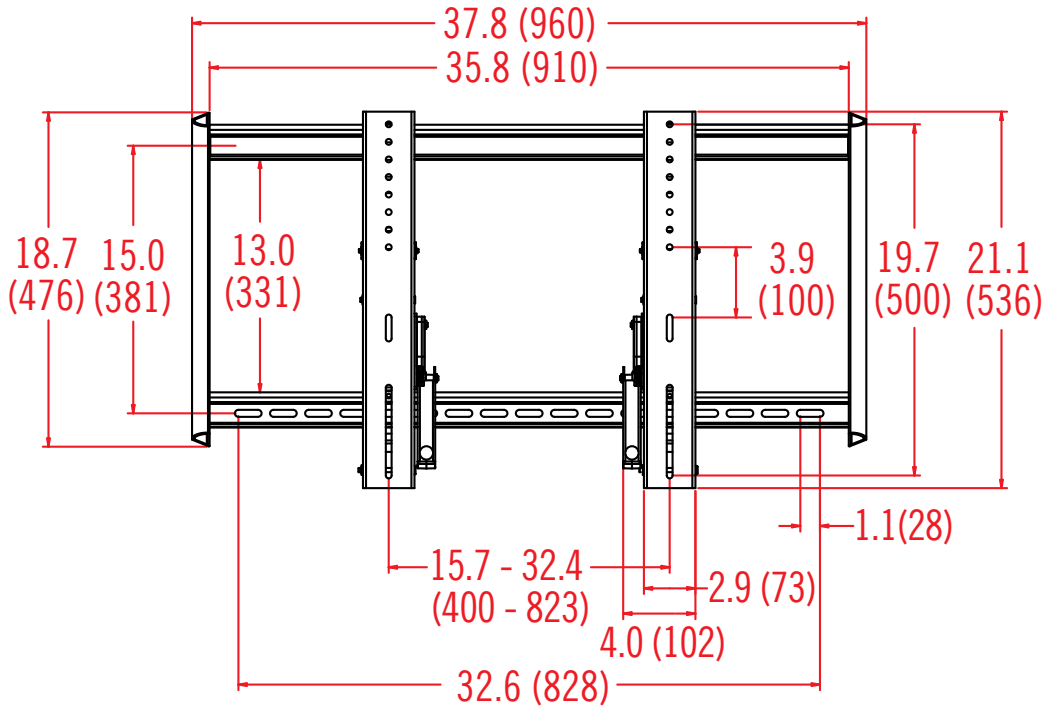
	Stock Code	Packaging UPC	MC UPC
Americas	1003466-1	728901019524	NA
International	1003466EU-1	728901019609	NA

	Dimensions WxDxH Inches (mm)	Wt lbs (kg)
Product Box	19.6 x 40.9 x 1.8 (499x1038x45)	32 (14.5)
Master Carton	NA	NA

Box Contents	Qty
Wall plate	1
Vertical tilt rail with kickstand	2
Security clip	2
Bottom rail cover	1
Top rail cover	1

Box Contents	Qty
Complete mount installation hardware kit	1
Complete panel attachment hardware kit	1
Installation template	1
Instruction manual	1
Flat panel compatibility guide	1

ULPT-L line drawing



inches (mm)