

Power40 product information sheet

Product Specifications

Fits most: 23" - 40" flat panels

Supports up to: 66 lbs (30 kg)

Tilt: 0 to +15°

Pan: 0 to 20° left and right

Mounting profile: 2.7" (69mm)

Maximum usable extension: 7.4" (189mm)

VESA compliant: 100x100, 100x200, 200x200, 200x300, 200x400, 300x300, 300x400, 400x400

Mounting: Single-stud

Color: Black

Product Benefits

- Tilt, pan and swivel for maximum viewing flexibility
- Remote controllable via IR (2 programmable positions) and RS232 (3 programmable positions)
- Safety mechanism stops motion when movement is obstructed
- Programmable wall detection
- Lift n' Lock™ allows you to easily attach your flat panel to the mount
- Virtually silent operation (40dB)
- Simple to install and use
- UL, TUV GS and CE listed
- Includes installation template, remote control, level and complete hardware kit



Reposition the mount from anywhere in the room with remote control



UL LISTED



Recipient of the 2008 Custom Retailer EXC!TE Award

Series



RES
2008 Best Award

EXC!TE
2008 Custom Retailer
EXC!TE Award

Power40



Power55



Lift42



OmniMount, an innovator of A/V mounts and furniture for more than a quarter century, is the choice of professional installers and the brand most recommended by flat panel manufacturers. With our entire line of MotionPicture Motorized Products, OmniMount is redefining the way you see pictures in motion. The Power40 is a state-of-the-art remote controlled motorized mount that allows you to tilt, pan and swivel medium flat panels with the touch of a button.



Power40 technical data sheet



Product Specifications

Fits most: 23" - 40" flat panels

Supports up to: 66 lbs (30 kg)

Tilt: 0 to +15°

Pan: 0 to 20° left and right

Mounting profile: 2.7" (69mm)

Maximum usable extension: 7.4" (189mm)

VESA compliant: 100x100, 100x200, 200x200, 200x300, 200x400, 300x300, 300x400, 400x400

Mounting: Single-stud

Color: Black



Product Benefits

- Tilt, pan and swivel for maximum viewing flexibility
- Remote controllable via IR (2 programmable positions) and RS232 (3 programmable positions)
- Safety mechanism stops motion when movement is obstructed
- Programmable wall detection
- Lift n' Lock™ allows you to easily attach your flat panel to the mount
- Virtually silent operation (40dB)
- Simple to install and use
- UL, TUV GS and CE listed
- Includes installation template, remote control, level and complete hardware kit

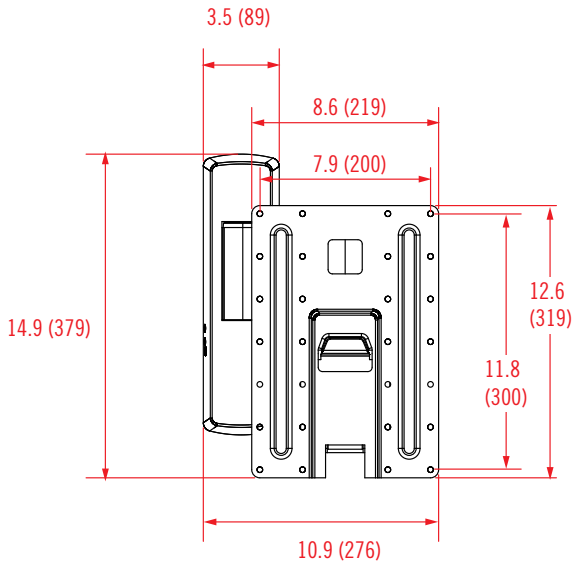
	Stock Code	Packaging UPC	MC UPC
Americas	1004316-1	728901022661	NA
International	NA	NA	NA

	Dimensions WxDxH Inches (mm)	Wt lbs (kg)
Product Box	20 x 17.8 x 7.5 (508x452x191)	22 (10)
Master Carton	NA	NA

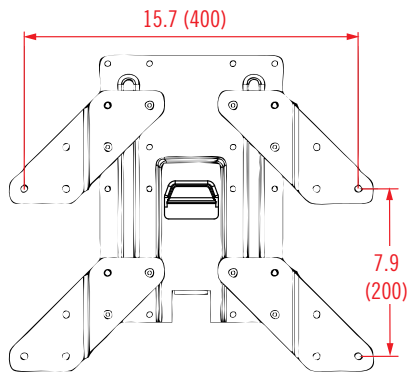
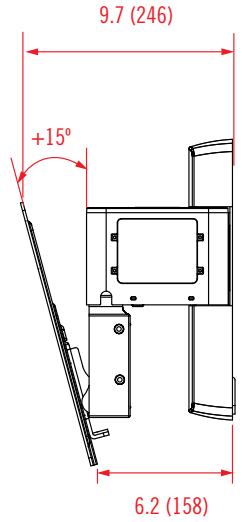
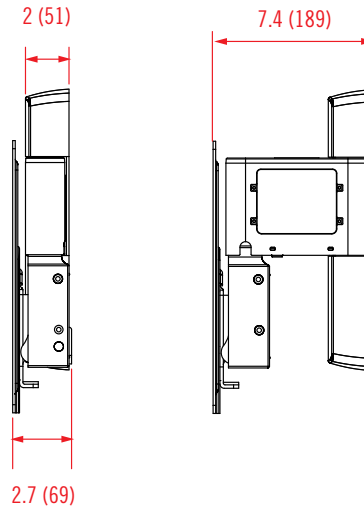
Box Contents	Qty
Motorized wall mount	1
VESA adapter	1
Remote control	1
IR receiver	1
Power adapter	1
Power cord	1
Adapter housing	1

Box Contents	Qty
Complete mount installation hardware kit	1
Complete panel attachment hardware kit	1
Level	1
Installation template	1
Instruction manual	1
Flat panel compatibility chart	1

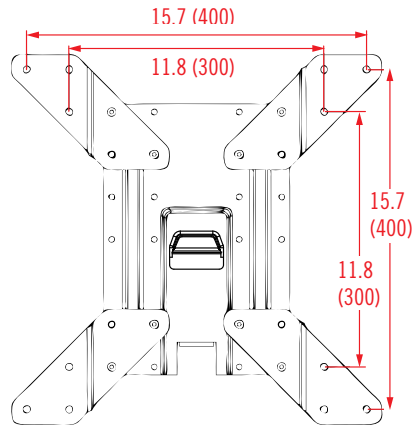
Power40 line drawing



Without adapters



With adapters option 1



With adapters option 2



inches (mm)