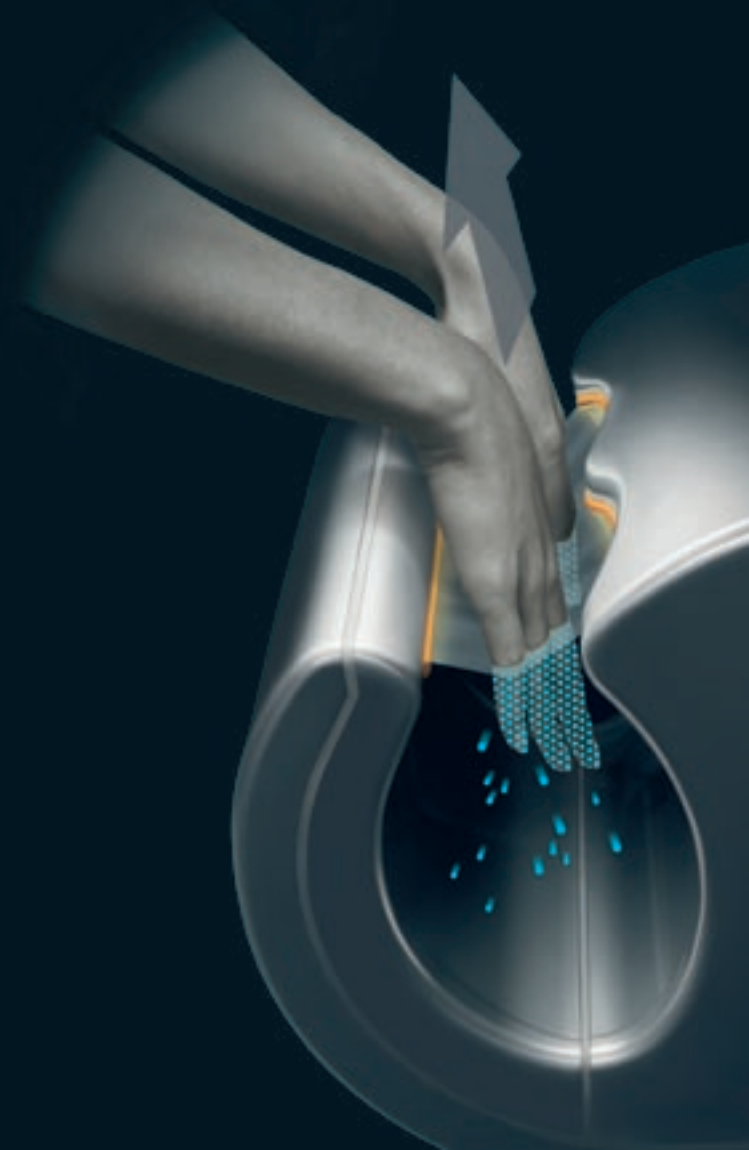


# dyson airblade

The fastest, most hygienic hand dryer.



# Hand drying, re-engineered

The Airblade™ hand dryer wipes hands dry with a high-velocity sheet of air in just 12 seconds.

It cleans the air before using it to dry hands, too. And it uses much less energy than warm air hand dryers so your business can reduce costs.

It's the first and only hand dryer that works properly.



# Lower costs

The Airblade™ hand dryer costs just \$31.43 a year to run, based on 200 uses per day and 9 cents per kw/hour.

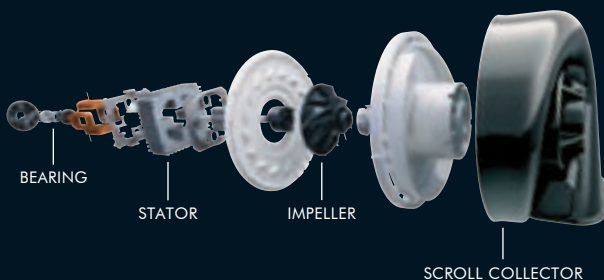
The key is the Dyson Digital Motor. It doesn't rely on the carbon brushes and slip rings used in warm air hand dryer motors and spins 81,000 times a minute - nearly 10 times faster than an Indy Car engine. That means:

## **No heating element**

Water is wiped from hands using a sheet of air travelling at 400mph. There's no energy-hungry heating element to power.

## **Shorter drying times**

Hands are dry in just 12 seconds. Less energy is required for each pair of hands dried compared to warm air hand dryers.



# Paper towels

They're expensive to buy and dispose of, people often use more than they need as well - they're wasteful.



# Warm air hand dryers

They suck in dirty washroom air, heat it up and blow it onto hands. If that's not bad enough, they can be slow and cost too much to run. And they waste energy.

They just don't do what they're supposed to.



# Hygienic

The Airblade™ hand dryer is hygienic, too. Helping to keep clean hands, clean.

## Anti-microbial coating

Anti-microbial additives are integrated into surfaces.

## Touch-free operation

The Airblade™ hand dryer starts and stops automatically. No dirty buttons to press.

## No rubbing

Warm air hand dryers rely on people rubbing their hands. That just brings bacteria in the lower skin layers to the surface. With the Airblade™ hand dryer, no rubbing is required.

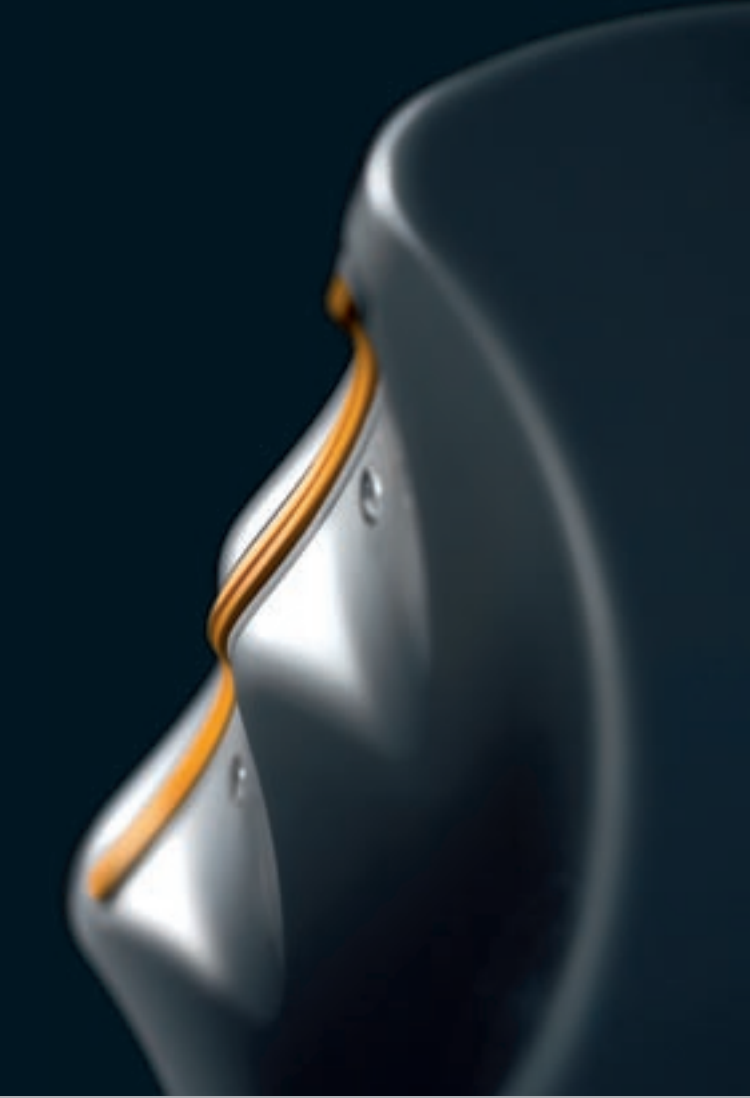
## Clean, dry hands

Because it's so fast, people leave with dry hands not damp ones that can spread up to 1000 times more bacteria.

## Only clean air

A HEPA filter removes 99.9% of bacteria from the air used to dry hands.





For more information, call our experts

**1-888-DYSON-AB**

Visit our website

**[www.dysonairblade.com](http://www.dysonairblade.com)**

## Efficient standby mode

Standby power consumption of 1 watt for increased energy efficiency.

## Touch-free operation

Infra-red sensor control for touch-free drying and minimal energy wastage.

## Rapid, hygienic drying

Wipes hands dry with a high velocity sheet of air in 12 seconds.

Thermoset plastic with a 0.3mm gap along its entire 9 inch length directs air at 400mph to dry hands.

## Easy to clean

Tough, sealed ergonomic design for easy cleaning and maintenance.

## Noise suppression

Precisely tuned silencing technology integrated into the motor housing and ducting to reduce air noise.

## Anti-microbial additives

Anti-microbial additives are integrated into surfaces.

## Dyson Digital Motor (DDM)

The DDM is a long life, new type of electric motor. As a result, it's incredibly powerful (81,000 rpm) for its size generating the high air velocity needed to dry hands properly.

## Robust aluminum die-cast casing

Durable casing resists chips and scratches.

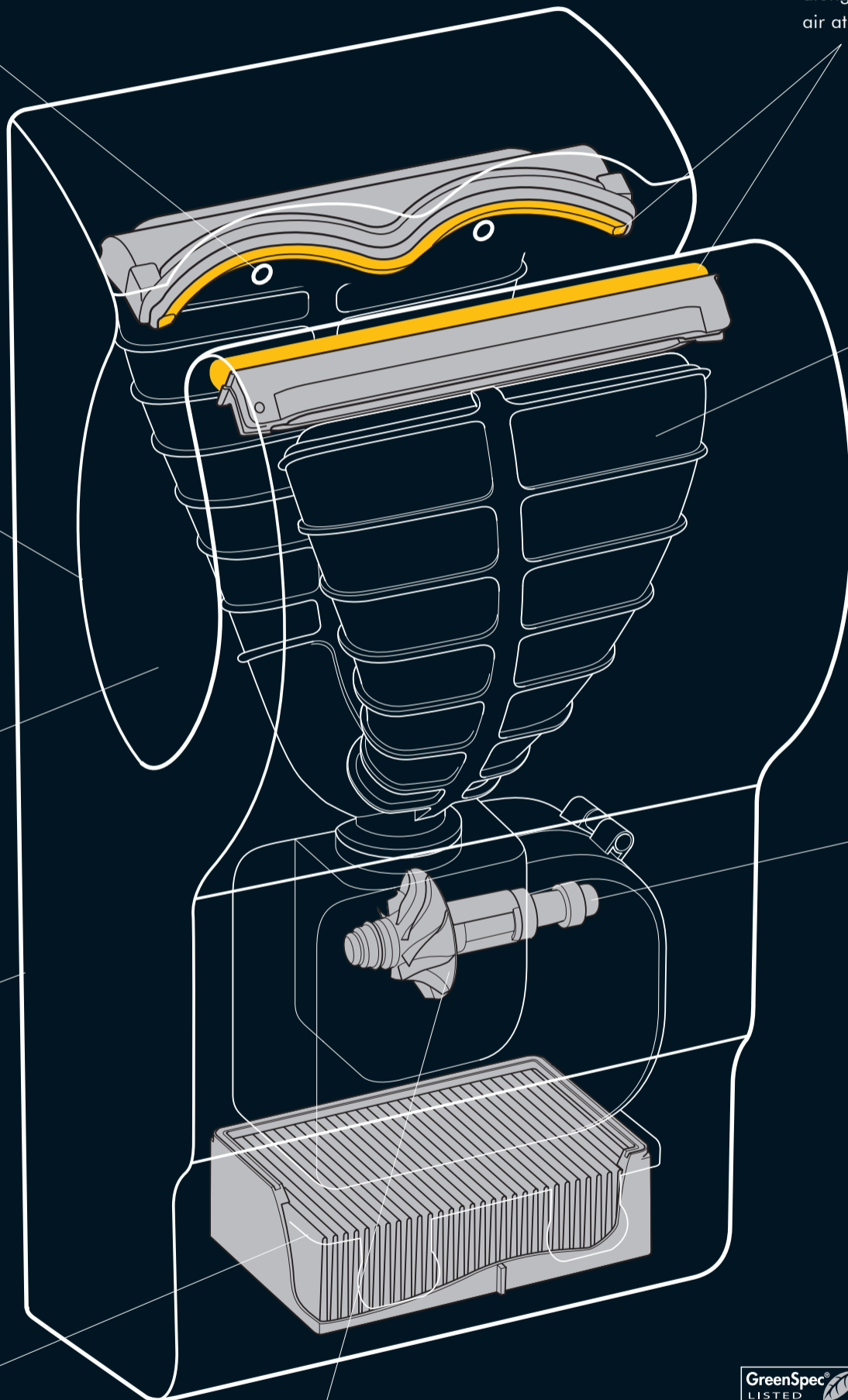
## HEPA filtration

HEPA filter removes over 99.9% of bacteria from the air used to dry hands.

Over 930 sq in. of High Efficiency Particle Arrestor (HEPA) filter integrated with anti-microbial additives.

## High compression fan

Digitally switched at up to 6,000 times per second making the compressor spin at 81,000rpm.



BuildingGreen LLC provides information about improving the environmental performance of buildings. The Airblade™ hand dryer is GreenSpec listed for its energy conservation and pollution reduction.



"The BSF welcomes Dyson's approach to promoting skin health and hand hygiene through its revolutionary hand dryer."



"The Royal Institute of Public Health considers that the Airblade™ hand dryer is a significant step forward in hand dryer technology and hygiene."



NSF Protocol P335 The Airblade™ hand dryer meets or exceeds the standards of NSF protocol P335 and is the first and only hand dryer to be NSF certified.

## 5 year warranty

The Airblade™ hand dryer comes with a five year warranty covering parts and a one year warranty for limited labor.