

BD B

HIGH PERFORMANCE
FURNITURE FOR YOUR
HOME THEATER

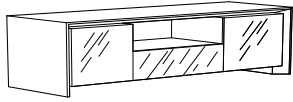


8/2008

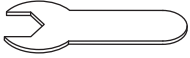
CassiniTM 8627 & 8629

Assembly Instructions

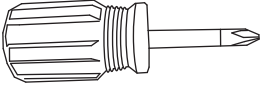
Component List



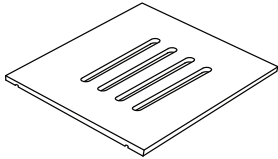
A - Assembled Cabinet
x 1



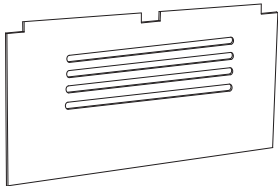
B - Leveler Wrench x 1



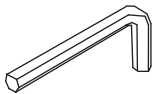
C - Phillips Screwdriver
x 1



D - Adjustable Shelf
Model 8627 x 3
Model 8629 x 2



E - Back Panel x 2



F - Allen Wrench x 1

Your Cassini™ Home Theater Cabinet is engineered for easy assembly. Carefully follow this procedure to prevent any damage.

Placement and Maintenance

Cassini™ Home Theater Furniture is designed for indoor use on level floors. Clean glass with glass cleaner, and steel parts and painted surfaces with a moist cloth.

Step 1

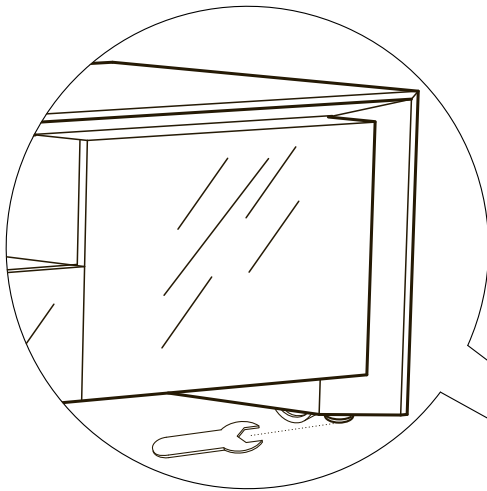
Unpack and identify the parts listed at left.

The assembly workspace should be a non-marring surface such as carpet. For missing hardware pieces, please contact BDI Customer Service at: customerservice@bdiusa.com

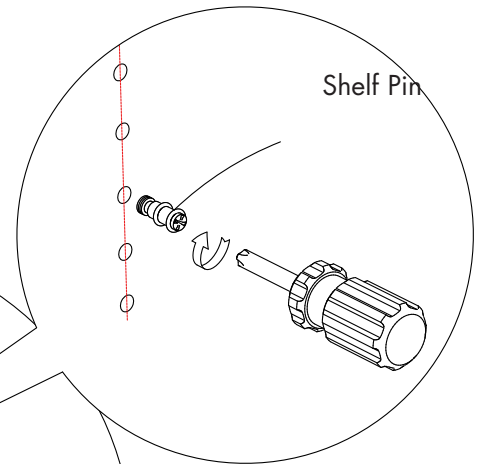
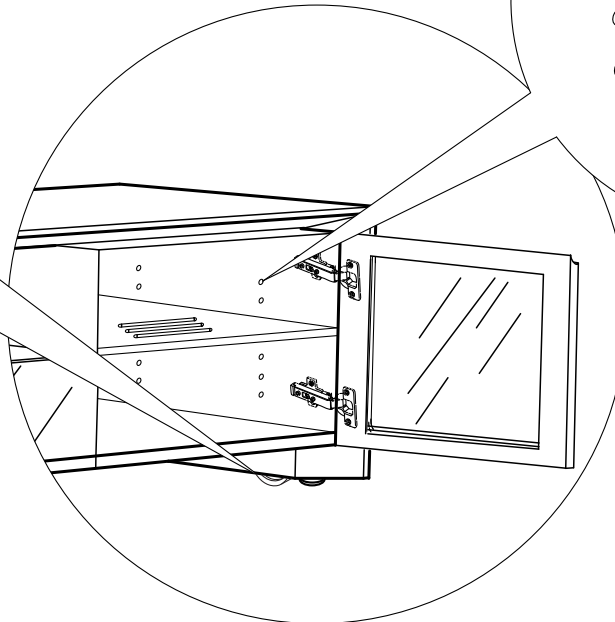
All other concerns, please contact your local BDI Retailer.

Step 2

Leveling and Shelf Adjustment



Four of the five leveler glides are accessible near the bottom of the side panels using the **Leveler Wrench (B)**.

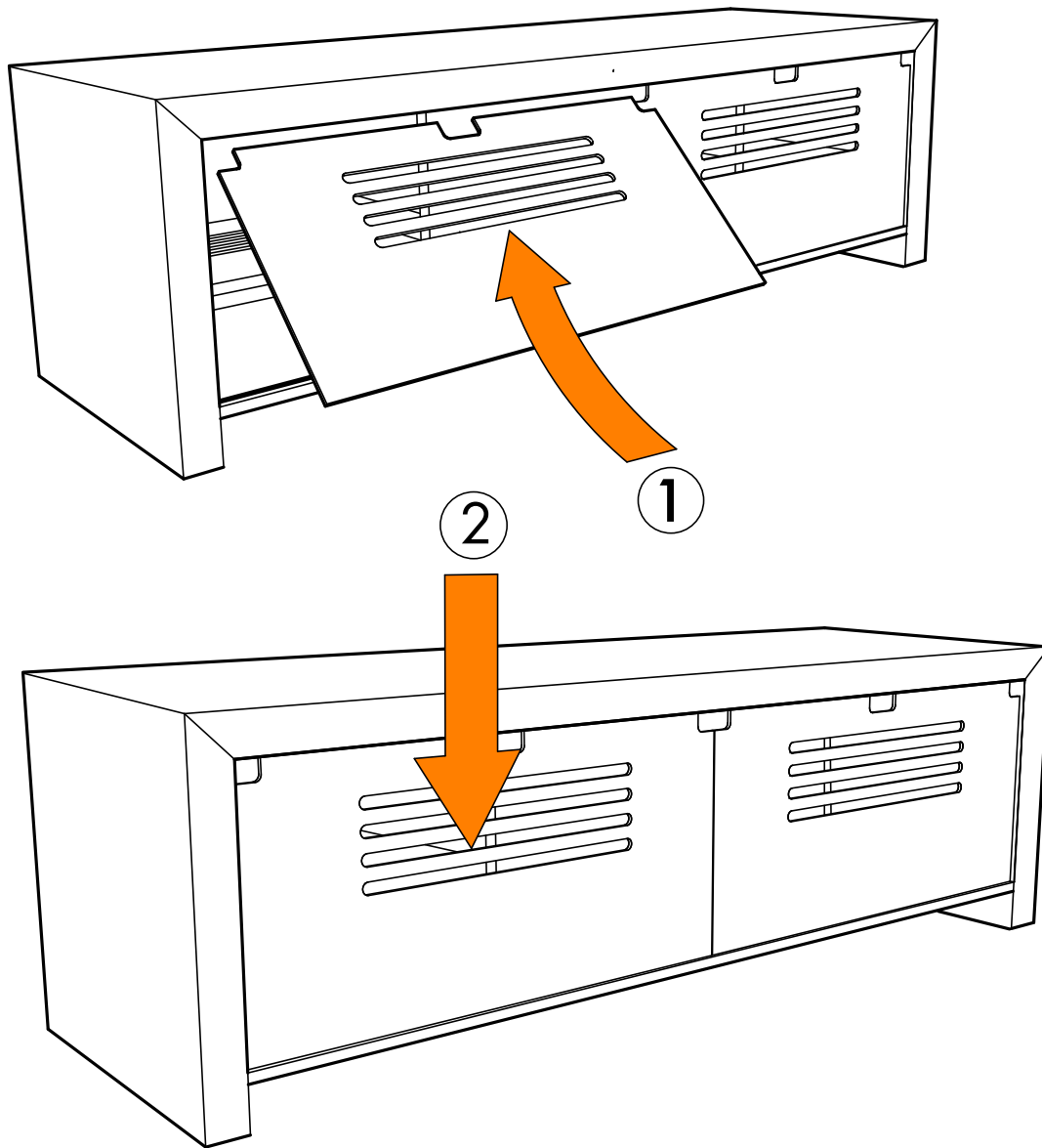


The shelf pins located inside the left and right cabinet space may be repositioned, allowing you to raise or lower each shelf to the desired level.

For more information about the adjustable levelers and troubleshooting assembly, be sure to check out "Fine tuning your new BDI Cassini Home Theater Furniture" at the end of these instructions.

Step 4 Back Panel Installation

Install **Back Panel (E)** to the rear side of cabinet.
Velcro straps are included as wire management for your convenience.



Thank you for choosing BDI.

Your Cassini home theater cabinet is engineered to allow a range of adjustments. Please read and retain this guide so that you can fully enjoy the look and use of your BDI cabinet for years to come.

Due to uneven floors or perhaps gentle jostling during shipment, your BDI cabinet may not appear to be in perfect alignment when first assembled or when loaded with heavier electronic equipment. Such alignment issues are usually eliminated with only a few minor adjustments.

However, unless manual leveling is required, or you wish to prevent the cabinet from rolling, many users choose to keep the cabinet's levelers up and off the floor. This allows easier cabinet movement for greater access to rear panels and wire-management, and permits easier cleaning/vacuuming underneath the cabinet.

By following the simple steps in this guide, you can be sure that your BDI cabinet is in optimum tune. If you need additional assistance, contact BDI at customerservice@bdiusa.com.

Fine-tuning your Cassini Home Theater Cabinet

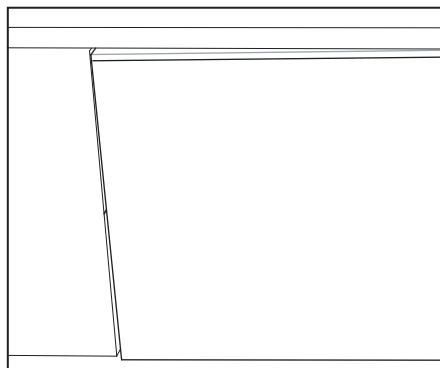
STEP 1 - Level your cabinet (if needed)

After unpacking and assembling your Cassini cabinet, inspect it to be sure that it is resting level on the floor, that all doors appear level, and that they open and close freely without rubbing or binding.

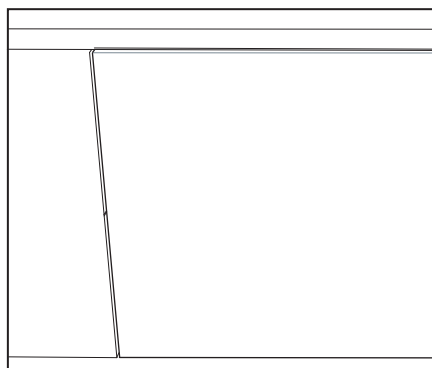
Proper adjustment of the cabinet's levelers quickly corrects most panel-alignment issues. There are five (5) adjustable levelers on the bottom of the cabinet; each may be individually adjusted depending on your leveling scenario.

Four (4) of the levelers are accessible near the bottom of the side panels, near front and back, using the provided **Leveler Wrench (B)**.

One (1) leveler is accessible from inside the cabinet—in the center of the bottom panel (Model 8627), or at the rear of the bottom panel (Model 8629)—and is adjustable using the provided **Allen Wrench (F)**.



INCORRECT! Door is out of alignment.

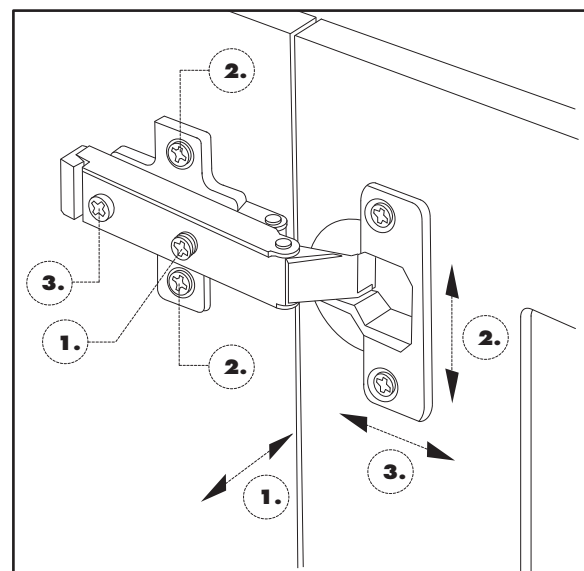


CORRECT! Door is sitting squarely and is evenly spaced at top and sides.

STEP 2 - Adjust Door Hinges (if needed)

The doors on your cabinet should be evenly spaced and the doors should open and close freely without rubbing against the door frame. Adjustments may be made to the door hinges with the use of a Phillips head screwdriver. The hinge hardware has four adjustment screws.

- By adjusting **Screw 1**, the door will move left and right within the frame. For best results, make minor adjustments to top and bottom hinge.
- If adjusting Screw 1 has not achieved the desired result, you can adjust **Screws 2 (upper and lower hinge - 4 screws per door)** and the door will move up and down within the frame (the top and bottom hinges need to be adjusted Simultaneously).
- Adjusting **Screw 3** will cause the entire door to move in and out, opening and closing the gap between the door frame and cabinet. This screw rarely needs adjustment.



CassiniTM 8627 & 8629

Designed by Cristian Wicha.

'Cassini' is a trademark of Becker Designed, Inc.
All rights reserved. ©2008 Becker Designed, Inc.