



VISUAL PERFORMANCE SERIES
VP65 (LEFT); VP65R (RIGHT),
WITH MICRO-FLANGE GRILLES

Sonance Visual Performance® Series Visual Performance® Series 6" Speakers

Sonance Visual Performance® Series speakers combine elegant, modern style with outstanding audio performance. New micro flange grilles have only 0.20" of trim, giving these speakers a clean, sleek appearance that seamlessly integrates into any designed space. The grilles attach via powerful magnets, for simple, quick installation. A one-step paint process saves time compared to traditional flanged speakers.

Visual Performance 6" speakers are available in three shapes (rectangular, square and round), and each shape is available in three different audio performance levels, so the designer and installer can select the shape that best suits the architectural space while providing the level of sound quality desired by the client. The VP65 is also available in 3 ThinLine™ (TL) models with 65mm and 77mm depths that allow installation in areas that will not accommodate conventional speakers.

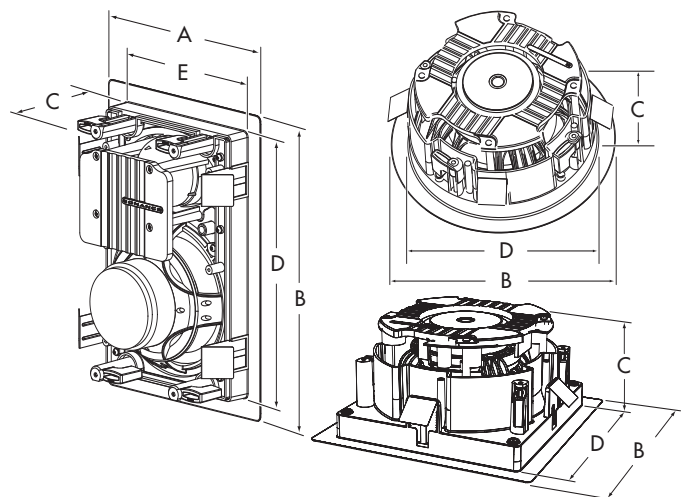
VP65-series speakers feature carbon fiber cone woofers and silk dome tweeters for high-quality sound; VP67-series speakers deliver audiophile-quality sound via coated carbon fiber cone woofers and aluminum dome tweeters; VP69-series speakers feature beryllium drivers that deliver reference-quality sound. Pivoting drivers direct the sound at listeners for excellent stereo performance, even if the speakers are mounted in "less-than-ideal" locations.

Visual Performance Series 6" speakers can be retrofitted into mounting holes for Sonance Symphony® speakers without modification, making upgrades exceptionally easy. Visual Performance series 6" speakers can also be used with accessories for Sonance Symphony speakers, such as Flex Brackets, acoustic enclosures, retrofit backboxes and fire-rated backcans.

Features:

- Micro flange steel grille has only 0.20" of ABS trim for a sleek, modern appearance. Powerful neodymium magnet grille attachment eases installation.
- Available in 3 shapes (rectangular, square, round), so the designer can select the shape that best suits the architectural space while satisfying the client's desire for high-quality audio performance.
- Available in three performance levels: Carbon fiber woofer/silk dome tweeter, coated carbon fiber woofer/aluminum dome tweeter, and beryllium cone woofer/beryllium dome tweeter. The installer can select the performance level that ideally suits each customer's preference.
- Pivoting drivers direct sound at listeners for improved stereo performance, even from less-than-ideal mounting locations.
- All 6" Visual Performance Series speakers can be retrofitted into existing cutouts for Sonance Symphony® speakers without modification.
- Grilles and frames can be painted together, saving installation time.
- Visual Performance ThinLine™ (TL) feature shallow (65mm and 77mm) depths that allow installation in areas that will not accommodate conventional speakers.

Dimensions:



	A	B	C	D	E
VP69/VP67/VP65	8 1/4" 210mm	12 3/16" 310mm	3 3/8" 86mm	10 5/8" 270mm	6 3/4" 172mm
VP65S	9 3/4" 248mm	9 3/4" 248mm	5 3/16" 132mm	8 5/32" 207mm	8 5/32" 207mm
VP69R/VP67R/VP65R	9 3/4" Dia. 248mm	9 3/4" Dia. 248mm	4 13/16" 122mm	8 5/32" Dia. 207mm	8 5/32" Dia. 207mm
VP65TL	8 1/4" 210mm	12 3/16" 310mm	2 1/2" 65mm	10 5/8" 270mm	6 3/4" 172mm
VP65STL	9 3/4" 248mm	9 3/4" 248mm	3 1/32" 77mm	8 5/32" 207mm	8 5/32" 207mm
VP65RTL	9 3/4" Dia. 248mm	9 3/4" Dia. 248mm	3 1/32" 77mm	8 5/32" Dia. 207mm	8 5/32" Dia. 207mm

Sonance Visual Performance® Series

Visual Performance® Series 6" Speakers



Specifications:

VP69, VP69R

Tweeter:	1" (25mm) Beryllium dome, Ferrofluid-cooled, pivoting, in acoustic back chamber
Woofer:	6½" (165mm) Beryllium cone with a rubber surround, extended pole piece (VP69), pivoting (VP69R)
Frequency Response:	40Hz – 20kHz ±3dB
Impedance:	6 ohms nominal; 4 ohms minimum
Power Handling:	5 watts minimum; 150 watts maximum
Sensitivity:	90dB SPL (2.83V/1 meter)
Grille Material:	Perforated Steel
Adjustments:	Tweeter Level (±3dB)
Dimensions	
VP69 (H x W x D):	8¼" x 12 ³ / ₁₆ " x 3 ³ / ₈ " (210mm x 310mm x 86mm)
VP69R (Dia. x D):	9¾" x 5 ³ / ₁₆ " (248mm x 132mm)
Cutout Dimensions	
VP69 (W x H):	6¾" x 10 ⁵ / ₈ " (172mm x 270mm)
VP69R (Dia):	8 ⁵ / ₃₂ " (207mm)
Shipping Weight:	12 lbs (5.45kg) pair

VP67, VP67R

Tweeter:	1" (25mm) Aluminum dome, Ferrofluid-cooled, pivoting, in acoustic back chamber
Woofer:	6½" (165mm) Coated carbon fiber cone with a rubber surround, extended pole piece (VP67), pivoting (VP67R)
Frequency Response:	43Hz – 20kHz ±3dB
Impedance:	6 ohms nominal; 4 ohms minimum
Power Handling:	5 watts minimum; 140 watts maximum
Sensitivity:	90dB SPL (2.83V/1 meter)
Grille Material:	Perforated Steel
Adjustments:	Tweeter Level (±3dB)
Dimensions	
VP67 (H x W x D):	8¼" x 12 ³ / ₁₆ " x 3 ³ / ₈ " (210mm x 310mm x 86mm)
VP67R (Dia. x D):	9¾" x 5 ³ / ₁₆ " (248mm x 132mm)

Cutout Dimensions	
VP67 (W x H):	6¾" x 10 ⁵ / ₈ " (172mm x 270mm)
VP67R (Dia):	8 ⁵ / ₃₂ " (207mm)
Shipping Weight:	11 lbs (5.0kg) pair

VP65, VP65S, VP65R, VP65TL, VP65RTL, VP65STL

Tweeter:	1" (25mm) Silk dome, Ferrofluid-cooled, pivoting, in acoustic back chamber
Woofer:	6½" (165mm) Carbon fiber cone with a rubber surround, pivoting (VP65S, VP65R)
Frequency Response:	44Hz – 20kHz ±3dB
Impedance:	8 ohms nominal; 6 ohms minimum
Power Handling:	5 watts minimum; 130 watts maximum
Sensitivity:	90dB SPL (2.83V/1 meter)
Grille Material:	Perforated Steel
Dimensions	
VP65 (H x W x D):	8¼" x 12 ³ / ₁₆ " x 3 ³ / ₈ " (210mm x 310mm x 86mm)
VP65S (H x W x D):	9¾" x 9¾" x 4 ¹³ / ₁₆ " (248mm x 248mm x 122mm)
VP65R (Dia. x D):	9¾" x 5 ³ / ₁₆ " (248mm x 132mm)
VP65TL (H x W x D):	8¼" x 12 ³ / ₁₆ " x 2½" (210mm x 310mm x 65mm)
VP65RTL (Dia. x D):	9¾" x 3 ¹ / ₃₂ " (248mm x 77mm)
VP65STL (H x W x D):	9¾" x 9¾" x 3 ¹ / ₃₂ " (248mm x 248mm x 77mm)
Cutout Dimensions	
VP65, VP65TL (W x H):	6¾" x 10 ⁵ / ₈ " (172mm x 270mm)
VP65S (W x H):	8 ⁵ / ₃₂ " x 8 ⁵ / ₃₂ " (207mm x 207mm)
VP65R, VP65RTL (Dia):	8 ⁵ / ₃₂ " (207mm)
VP65STL (W x H):	8 ⁵ / ₃₂ " x 8 ⁵ / ₃₂ " (207mm x 207mm)
Shipping Weight:	10 lbs (4.5kg) pair

SONANCE®

212 Avenida Fabricante
San Clemente, CA 92672-7531 USA
(800) 582-7777 or (949) 492-7777
FAX: (949) 361-5151
Technical Support: (800) 582-0772
WWW.SONANCE.COM

Limited Lifetime Warranty:

Sonance warrants to the original retail purchaser only that this Sonance product will be free from defects in materials and workmanship, provided the product was purchased from a Sonance Authorized Dealer. For full warranty information, please see Instruction Manual.

©2008 Sonance, All Rights Reserved.

Sonance, Sonance Visual Performance, Sonance Symphony, RotoLock and FastMount are trademarks or registered trademarks of Dana Innovations.

Due to continuous product improvement, all features and specifications are subject to change without notice.

For the latest Sonance product information, go to:

www.sonance.com