



Sonance Visual Performance® Series

Visual Performance® Series 8" Speakers

Sonance Visual Performance® Series speakers combine elegant, modern style with outstanding audio performance. New micro flange grilles have only 0.20" of trim, giving these speakers a clean, sleek appearance that seamlessly integrates into any designed space. The grilles attach via powerful magnets, for simple, quick installation. A one-step paint process saves time compared to traditional flanged speakers.

Visual Performance 8" speakers are available in three shapes (rectangular, square and round), and in three different audio performance levels, so the designer and installer can select the shape that best suits the architectural space while providing the level of sound quality desired by the client.

VP85-series speakers feature carbon fiber cone woofers

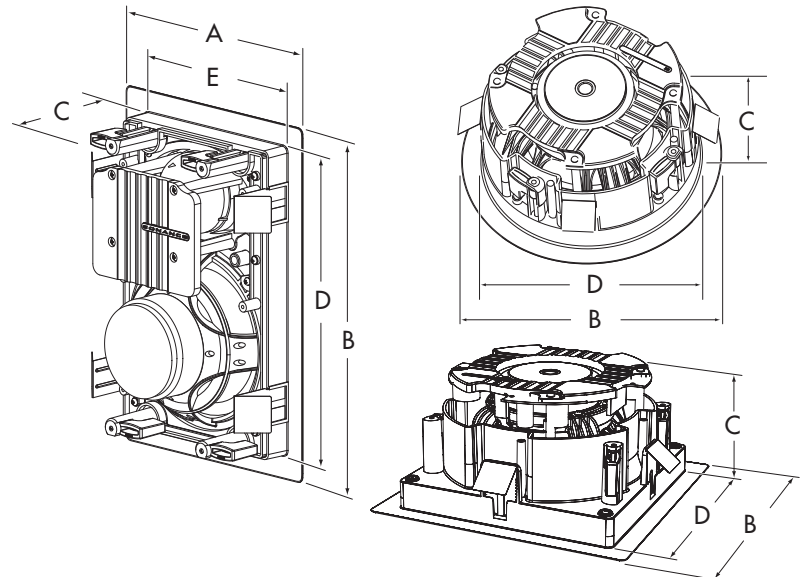
and midranges and silk dome tweeters for high-quality sound; VP87-series speakers deliver audiophile-quality sound via coated carbon fiber cone woofers and midranges and aluminum dome tweeters; VP89-series speakers feature beryllium drivers that deliver reference-quality sound. Pivoting drivers direct the sound at listeners for excellent stereo performance, even if the speakers are mounted in "less-than-ideal" locations.

Visual Performance Series 8" speakers can be retrofitted into mounting holes for Sonance Virtuoso® speakers without modification, making upgrades exceptionally easy. Visual Performance series 8" speakers can also be used with accessories for Sonance Virtuoso speakers, such as Flex Brackets, acoustic enclosures, retrofit backboxes and fire-rated backcans.

Features:

- Micro flange steel grille has only 0.20" of ABS trim for a sleek, modern appearance. Powerful neodymium magnet grille attachment eases installation.
- Available in three shapes (rectangular, square and round), so the designer can select the shape that best suits the architectural space while satisfying the client's desire for high-quality audio performance.
- Available in three performance levels: Carbon fiber woofer and midrange with a silk dome tweeter, coated carbon fiber woofer and midrange with an aluminum dome tweeter, and beryllium woofer, midrange and tweeter. The installer can select the performance level that ideally suits each customer's preference.
- Pivoting drivers direct sound at listeners for improved stereo performance, even from less-than-ideal mounting locations.
- All 8" Visual Performance Series speakers can be retrofitted into existing cutouts for Sonance Virtuoso® speakers without modification.
- Grilles and frames can be painted together, saving installation time.
- RotoLock® mounting clamps and FastMount® tabs for quick, easy installation.

Dimensions:



	A	B	C	D	E
VP89/VP87/VP85	9 ⁷ / ₈ " 251mm	15 ¹⁵ / ₁₆ " 405mm	3 ⁷ / ₈ " 98mm	14 ¹ / ₂ " 368mm	8 ⁷ / ₁₆ " 214mm
VP85S	11 ¹ / ₄ " 286mm	11 ¹ / ₄ " 286mm	6" 152mm	10 ¹ / ₈ " 257mm	10 ¹ / ₈ " 257mm
VP89R/VP87R/VP85R	11 ¹ / ₄ " Dia. 286mm		6" 152mm	10 ¹ / ₈ " Dia. 257mm	

Sonance Visual Performance® Series

Visual Performance® Series 8" Speakers



Specifications:

VP89, VP89R

Tweeter:	1" (25mm) Beryllium, Ferrofluid-cooled, pivoting
Midrange:	4" (102mm) Beryllium cone with a rubber surround, pivoting
Woofers:	8" (203mm) Beryllium cone with a rubber surround, extended pole piece (VP89), pivoting (VP89R)
Frequency Response:	30Hz – 20kHz ±3dB
Impedance:	6 ohms nominal; 4 ohms minimum
Power Handling:	5 watts minimum; 175 watts maximum
Sensitivity:	91dB SPL (2.83V/1 meter)
Grille Material:	Perforated Steel
Adjustments:	Tweeter and Midrange Level (±3dB)
Dimensions	
VP89 (H x W x D):	9 ⁷ / ₈ " x 15 ¹⁵ / ₁₆ " x 3 ⁷ / ₈ " (251mm x 405mm x 98mm)
VP89R (Dia. x D):	11 ¹ / ₄ " x 6" (286mm x 152mm)
Cutout Dimensions	
VP89 (W x H):	8 ⁷ / ₁₆ " x 14 ¹ / ₂ " (214mm x 368mm)
VP89R (Dia):	10 ¹ / ₈ " (257mm)
Shipping Weight:	22 lbs (10.0kg) pair

VP87, VP87R

Tweeter:	1" (25mm) Aluminum dome, Ferrofluid-cooled, pivoting
Midrange:	4" (102mm) Coated carbon fiber cone with a rubber surround, pivoting
Woofers:	8" (203mm) Coated carbon fiber cone with a rubber surround, extended pole piece (VP87), pivoting (VP87R)
Frequency Response:	31Hz – 20kHz ±3dB
Impedance:	6 ohms nominal; 4 ohms minimum
Power Handling:	5 watts minimum; 165 watts maximum
Sensitivity:	91dB SPL (2.83V/1 meter)
Grille Material:	Perforated Steel
Adjustments:	Tweeter and Midrange Level (±3dB)

Dimensions	
VP87 (H x W x D):	9 ⁷ / ₈ " x 15 ¹⁵ / ₁₆ " x 3 ⁷ / ₈ " (251mm x 405mm x 98mm)
VP87R (Dia. x D):	11 ¹ / ₄ " x 6" (286mm x 152mm)
Cutout Dimensions	
VP87 (W x H):	8 ⁷ / ₁₆ " x 14 ¹ / ₂ " (214mm x 368mm)
VP87R (Dia):	10 ¹ / ₈ " (257mm)
Shipping Weight:	22 lbs (10.0kg) pair

VP85, VP85S, VP85R

Tweeter:	1" (25mm) Silk dome, Ferrofluid-cooled, pivoting
Midrange:	4" (102mm) Carbon fiber cone with a rubber surround, pivoting
Woofers:	8" (203mm) Carbon fiber cone with a rubber surround, pivoting (VP85S, VP85R)
Frequency Response:	36Hz – 20kHz ±3dB
Impedance:	8 ohms nominal; 6 ohms minimum
Power Handling:	5 watts minimum; 140 watts maximum
Sensitivity:	91dB SPL (2.83V/1 meter)
Grille Material:	Perforated Steel
Dimensions	
VP85 (H x W x D):	9 ⁷ / ₈ " x 15 ¹⁵ / ₁₆ " x 3 ⁷ / ₈ " (251mm x 405mm x 98mm)
VP85S (H x W x D):	11 ¹ / ₄ " x 11 ¹ / ₄ " x 6" (286mm x 186mm x 152mm)
VP85R (Dia. x D):	11 ¹ / ₄ " x 6" (286mm x 152mm)
Cutout Dimensions	
VP85 (W x H):	8 ⁷ / ₁₆ " x 14 ¹ / ₂ " (214mm x 368mm)
VP85S (W x H):	10 ¹ / ₈ " x 10 ¹ / ₈ " (257mm x 257mm)
VP85R (Dia):	10 ¹ / ₈ " (257mm)
Shipping Weight:	20 lbs (9.0kg) pair

SONANCE®

212 Avenida Fabricante
San Clemente, CA 92672-7531 USA
(800) 582-7777 or (949) 492-7777
FAX: (949) 361-5151
Technical Support: (800) 582-0772
WWW.SONANCE.COM

Limited Lifetime Warranty:

Sonance warrants to the original retail purchaser only that this Sonance product will be free from defects in materials and workmanship, provided the product was purchased from a Sonance Authorized Dealer. For full warranty information, please see the Instruction Manual.

©2007 Sonance, All Rights Reserved.

Sonance, Sonance Visual Performance, Sonance Virtuoso, RotoLock and FastMount are trademarks or registered trademarks of Dana Innovations.

Due to continuous product improvement, all features and specifications are subject to change without notice.

For the latest Sonance product information, go to:

www.sonance.com