

# GE Monogram® 36" Built-In All Refrigerator



Model# ZIRS360NXLH



- Integrated appearance with Premium-Grade Stainless Steel - Extending across the door and wrapping beautifully around the edges; A Monogram signature, slim tubular handle enhances the overall look
- Enhanced Temperature Management System - With precise electronic controls and thermistors, maintains ideal storage conditions for fresh foods
- Concealed Halogen Lighting System - Illuminates contents without compromising space
- ENERGY STAR® Qualification - As an ENERGY STAR® partner, GE has determined that Monogram all-refrigerators meet the ENERGY STAR guidelines for energy efficiency
- Humidity-Controlled Compartments and Sealed Snack Drawers - Help preserve the freshness of foods
- Adjustable Spillproof Glass Shelves - Easily accommodate party trays and platters
- Gallon-Size Door Bin - Holds milk containers, two-liter bottles and pitchers
- Sealed Dairy Compartment - Locks in freshness

## FEATURES

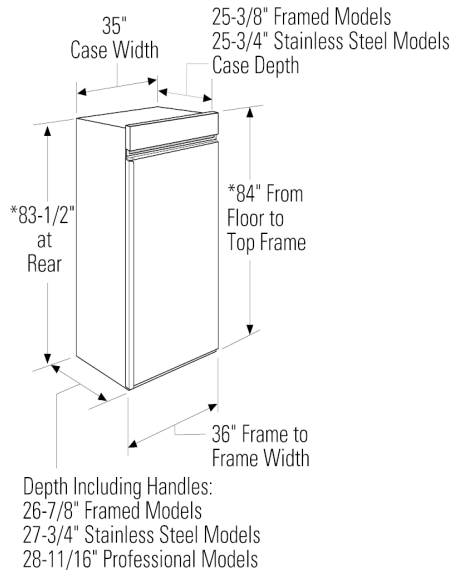
|  |  |
|--|--|
| Energy Star® Qualified                               | Yes  |
| Sealed System Design                                 | Auto Defrost                                   |
| Upfront Electronic Digital Temperature Display       | Yes  |
| Fresh Food Cabinet Shelves - Total Number of Shelves | 7  |
| Adj. Humidity Produce Pans                           | 2 Lg. w/ Easy Access Lid w/ Full Exten. Slides |
| Butter Dish  | Glass Covered                                  |
| Dairy Compartment                                    | 2 Sealed                                       |
| Fresh Food Cabinet Shelves - Adjustable              | 6 Adj., 1 Full-Width Fixed                     |
| Fresh Food Cabinet Shelves - Spill Proof             | Yes  |
| Fresh Food Door Shelves                              | 4 (2 w/Gal. Storage)                           |
| Snack Drawer   | 2 Regular; Sealed w/ Full-Extension Slides     |
| Wine Caddy   | Yes  |
| Wire Baskets   | 4 Large with Full Extension Slides             |
| Defrost Type   | Automatic Defrost                              |
| 130 Deg. Door Stop                                   | Yes  |

To locate a GE Monogram dealer, call 1-800-626-2000

# GE Monogram® 36" Built-In All Refrigerator



Model# ZIRS360NXLH



## APPROXIMATE DIMENTIONS (HxDxW)

- 84 in x 26 3/4 in x 36 in

## CAPACITY

- Total Capacity (cubic feet) 21.40 cu ft

## WARRANTY

- Parts Warranty - Limited 2-year entire appliance  
Limited 5-year sealed refrigerating system  
Limited 12-year sealed refrigerating system
- Labor Warranty - Limited 2-year entire appliance  
Limited 5-year sealed refrigerating system
- Warranty Notes - For models produced on or after January 1, 2006  
See written warranty for full details

To locate a GE Monogram dealer, call 1-800-626-2000