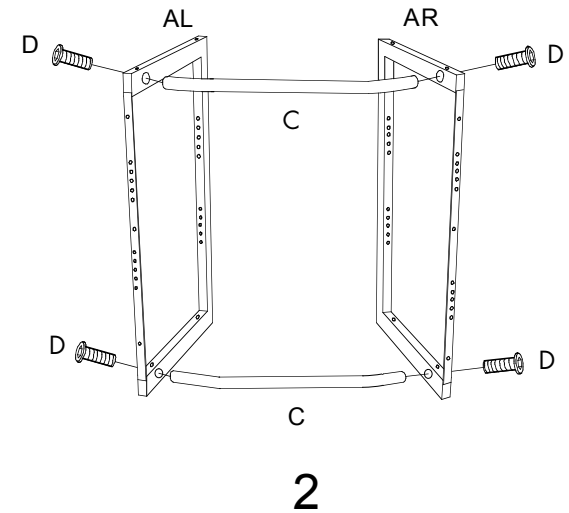
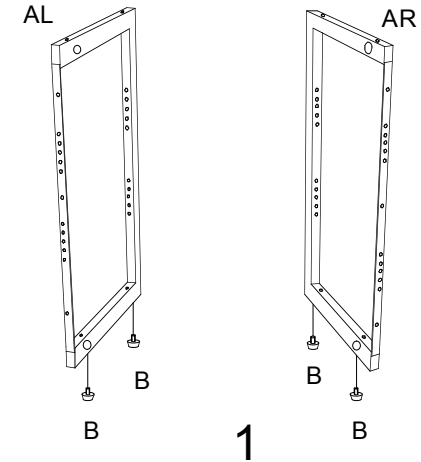
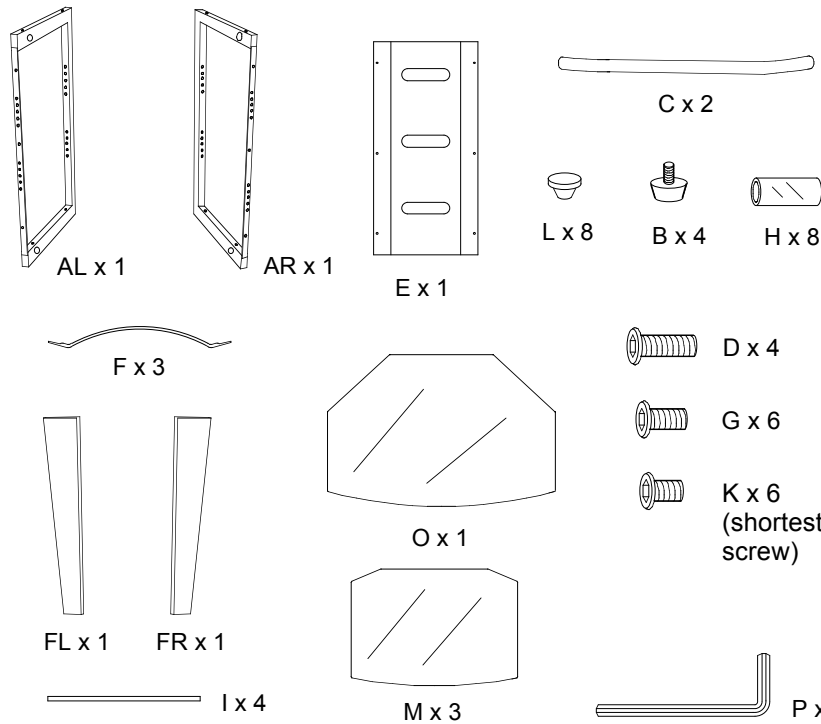
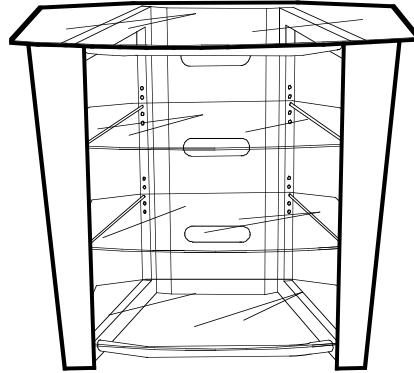


# Vector Model# 9525

# ASSEMBLY INSTRUCTIONS

Becker  
Designed  
Inc.

Tel:  
703.803.6900



Designed by:  
Carlo Patti

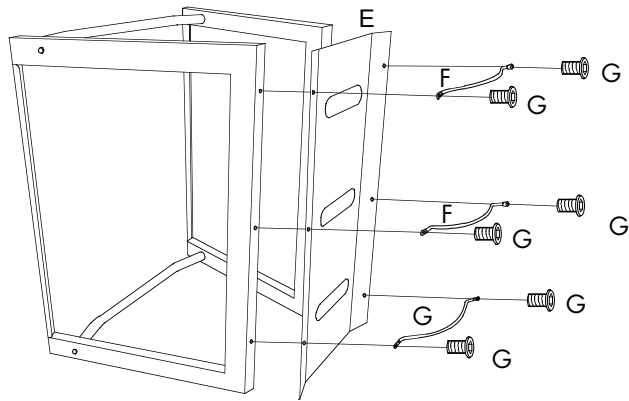
Vector is a  
trademark of  
Becker Designed,  
Inc. All rights  
reserved.  
©2002 Becker  
Designed, Inc.

NOTE: DO NOT TIGHTEN THE SCREWS BEFORE ASSEMBLY IS COMPLETE

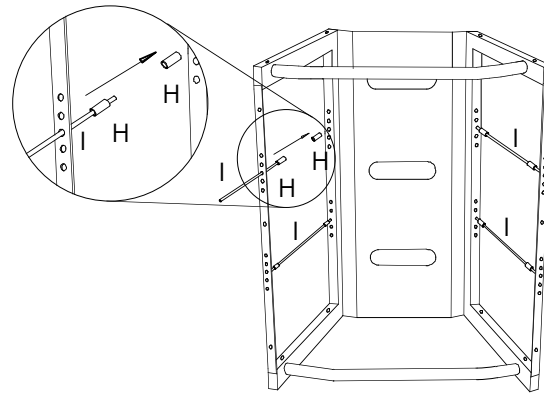
## Placement and Maintenance

Vector is designed for indoor use on level floors.  
Do not sit on, or allow children to climb on glass top.  
Clean glass with glass cleaner, and wood parts with a moist cloth.

## ASSEMBLY INSTRUCTIONS

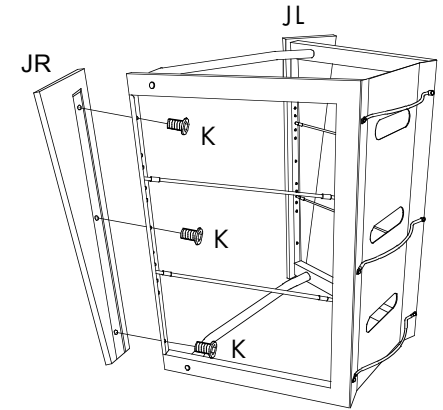


3

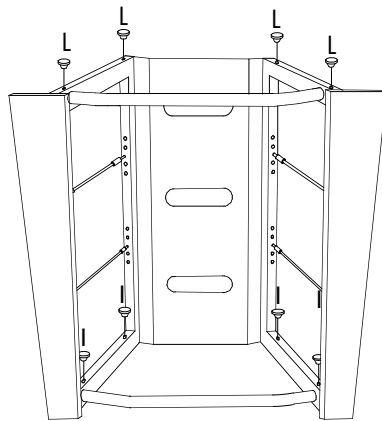


4

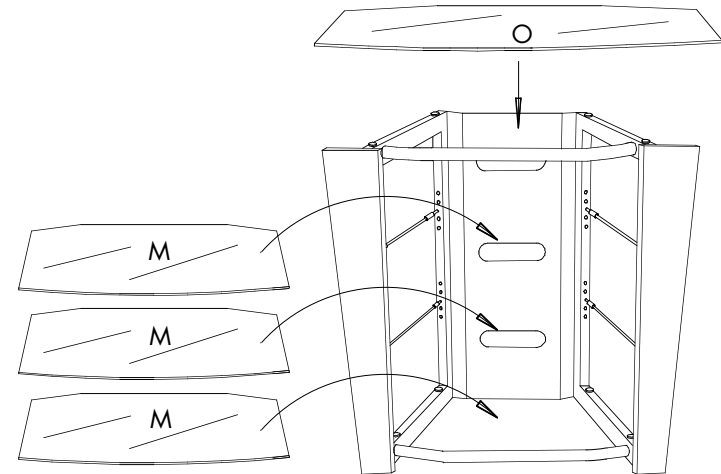
**Attention!!** K= shortest screw.  
**Do not** use medium or long screw in step 5.



5



6



7

NOTE: DO NOT TIGHTEN THE SCREWS BEFORE ASSEMBLY IS COMPLETE