

# OB36, OB52, OBS36, OBS52, OBSB162

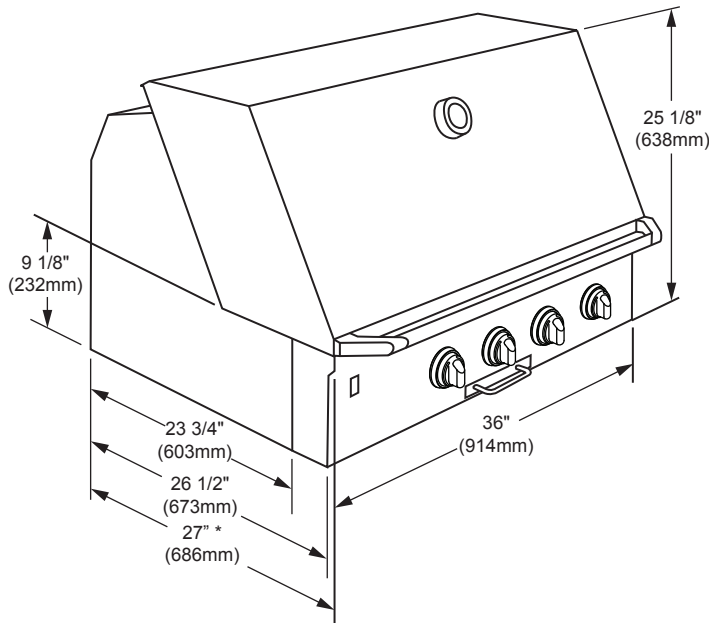


Revised  
05/14/08

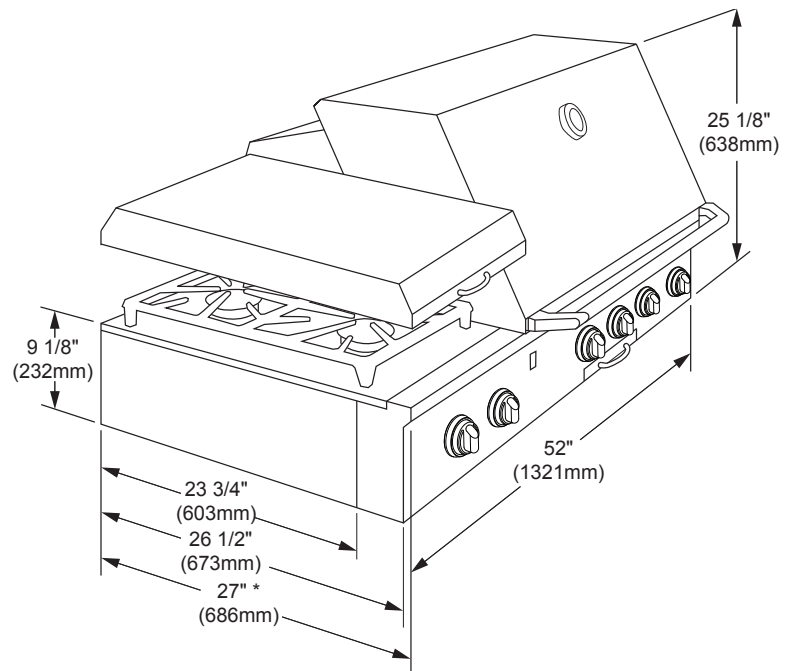
## 36", 52" Wide Outdoor Grills 16" Wide Side Burner

1/3

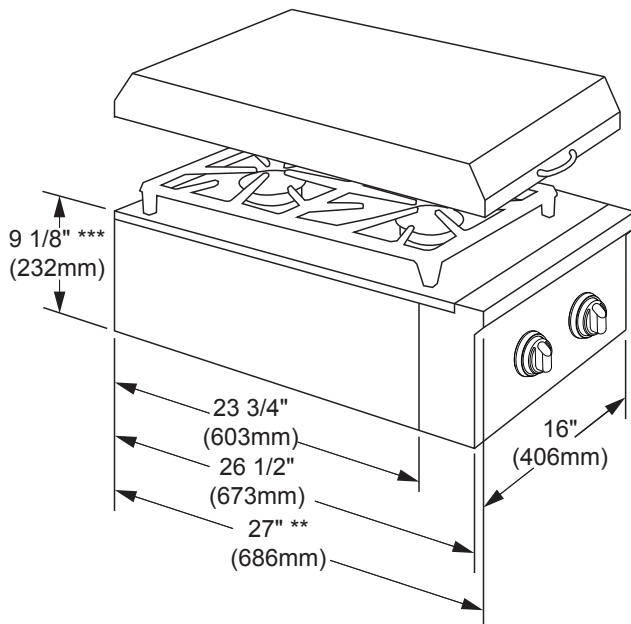
## PLANNING GUIDE



**OB/OBS36 OVERALL DIMENSIONS**



**OB/OBS52 OVERALL DIMENSIONS**



**OBSB162 OVERALL DIMENSIONS**

- \*Total depth with handle: 30" (762mm)
- \*\*Total depth with knobs: 28 5/8" (753mm)
- \*\*\*Total height with cover: 12" (305mm)

Model Type	Electrical Circuit Required	Total Connected Load	Gas Type	Manifold Pressure	Minimum Gas Supply Pressure
Natural Gas	120 Vac, 60 Hz, 15 Amps	2.9 Amps (0.35 kW)	Natural	4" Water Column	5" Water Column
LP Gas	120 Vac, 60 Hz, 15 Amps	2.9 Amps (0.35 kW)	Propane	11" Water Column	12" Water Column



**NOTE:**

Supply access for the rotisserie power or an alternate 120 Vac duplex outlet location.

# OB36, OB52, OBS36, OBS52, OBSB162

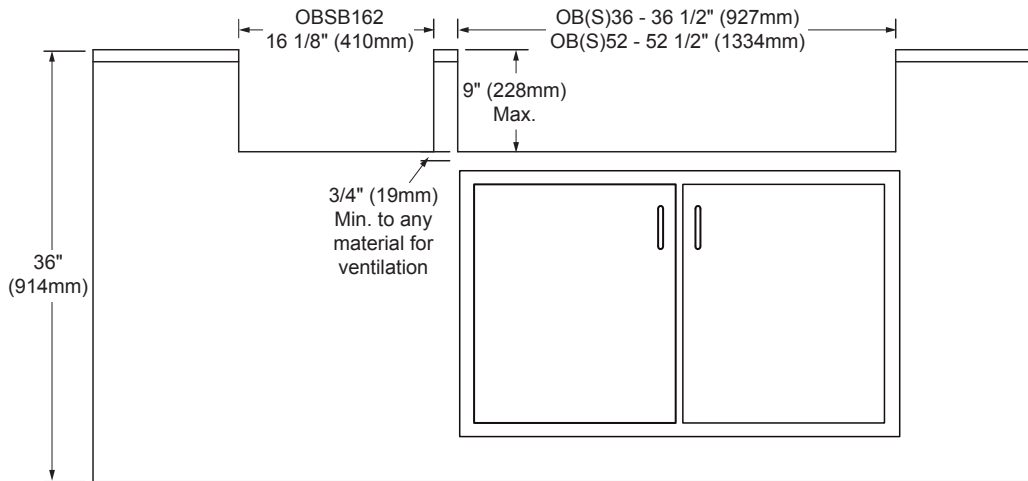


Revised  
05/14/08

## 36", 52" Wide Outdoor Grills 16" Wide Side Burner

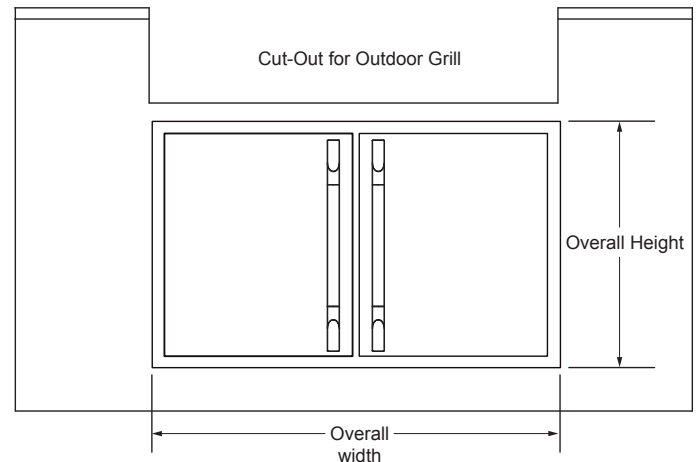
2/3

## PLANNING GUIDE



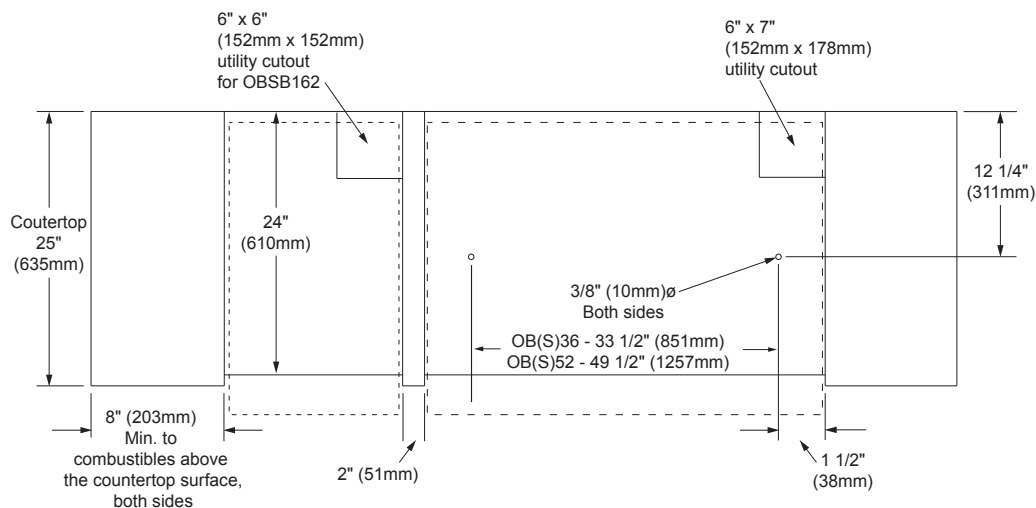
**OBSB162 & OB/OBS/36/52  
CUTOUT DIMENSIONS, FRONT VIEW**  
(OBAD 36" Accessory Door Shown)

Specifications	Measurements
Overall Width	OBAD20 - 19 1/2" (495mm) OBAD36 - 35 7/8" (911mm)
Overall Height	21" (533mm)
Overall Depth	1/4" (6mm) deep return on frame edge
Cutout Width	OBAD20 - 16 3/4" (425mm) OBAD36 - 33 1/8" (841mm)
Cutout Height	18 3/4" (476mm)
Cutout Depth	3" (76mm) Minimum



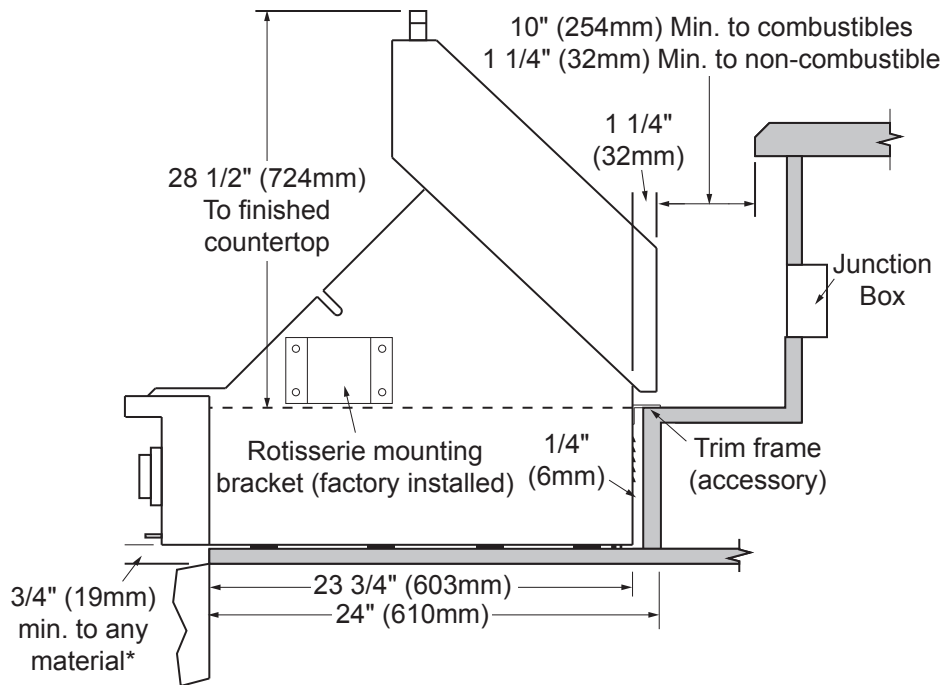
**OBADXX ACCESSORY DOOR  
DIMENSIONS, FRONT VIEW**

**ACCESSORY DOOR CUTOUT DIMENSIONS**

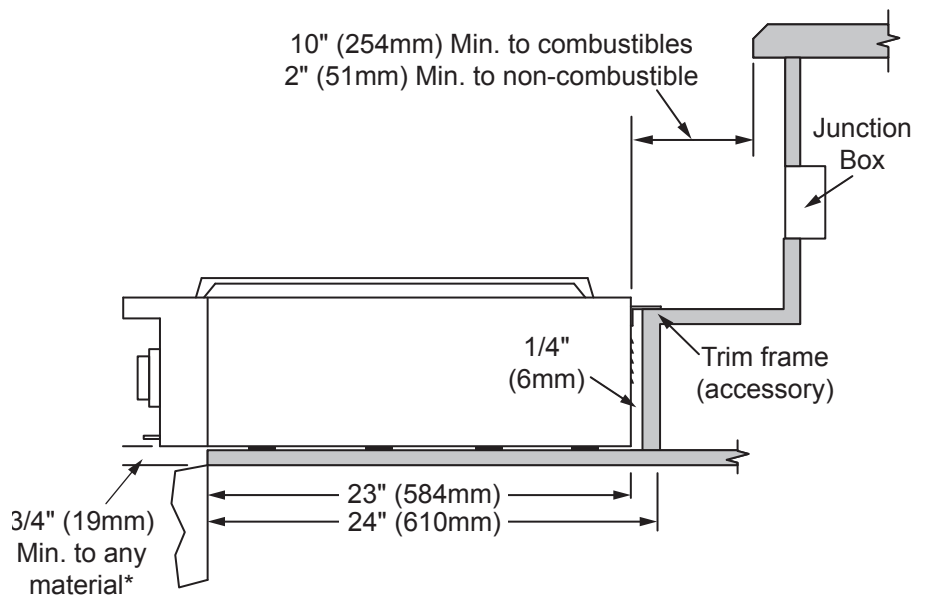


**OBSB162 & OB/OBS/36/52  
CUTOUT DIMENSIONS, TOP VIEW**

# OB36, OB52, OBS36, OBS52, OBSB162



**OB36, OBS36, OB52 AND OBS52  
CUTOUT DIMENSIONS, SIDE VIEW**



**OBSB162 CUTOUT DIMENSIONS  
SIDE VIEW**