

# WD-73835

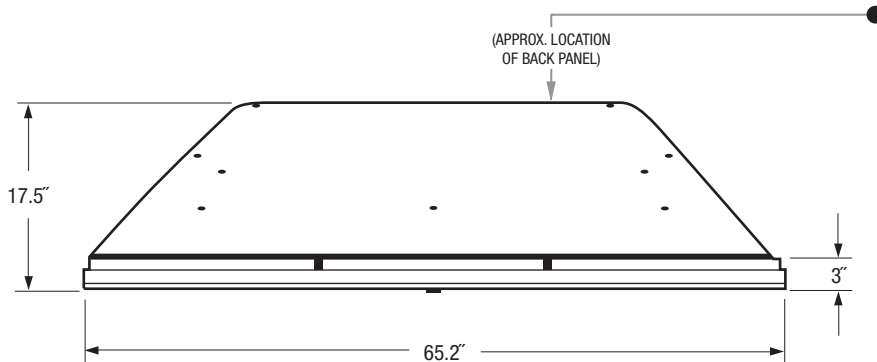
# 1080p DLP® HDTV



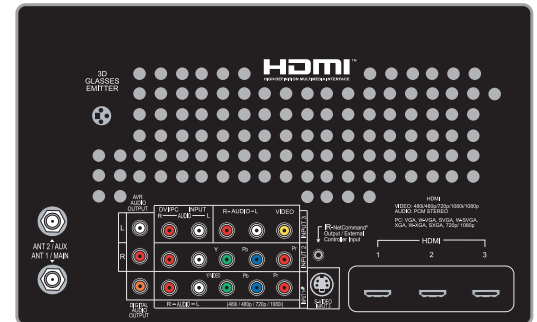
## OVERALL DIMENSIONS (Approx.)

Height	Width	Depth	TV Weight	Power Consumption
43.6"	65.2"	17.5"	95.2 lbs	270 W

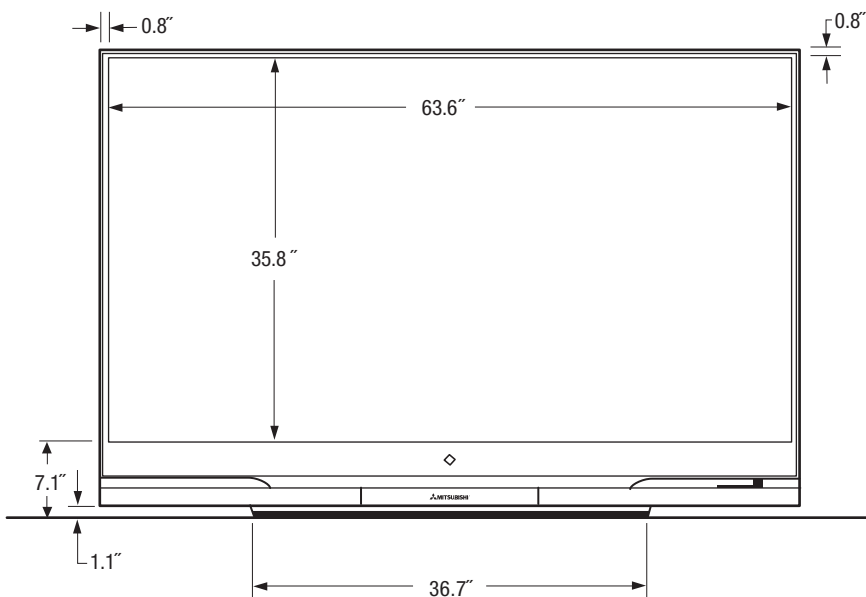
## TOP



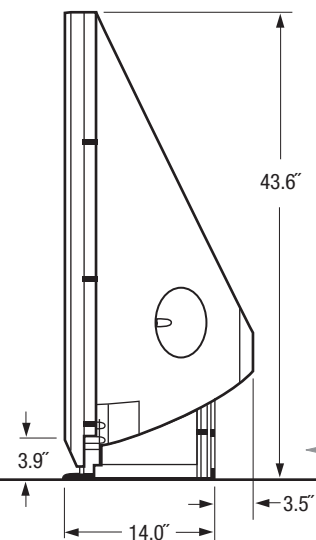
## BACK PANEL



## FRONT



## LEFT SIDE



Note: Illustrations not necessarily to scale.

Descriptions and specifications subject to change without notice. The dimensions are approximate for general information when deciding the locations and placements of the product. When creating a custom-built environment for this product, please take exact measurements from the specific unit to be installed before doing any finished carpentry. When installing the unit, allow for air circulation, ventilation, and variations due to manufacturing tolerances. The cosmetic appearance of the product may vary from that depicted here. Not responsible for typographical or printed errors.

DLP is a registered trademark of Texas Instruments. CableCARD is a trademark of Cable Television Laboratories, Inc. HDMI, the HDMI logo and High-Definition Multimedia Interface are trademarks or registered trademarks of HDMI Licensing LLC. All other brand, product names and marks are trademarks, registered trademarks or service marks of their respective holders.