



MAYTAG® COMMERCIAL NEPTUNE® STACK WASHER/DRYER

MLE/MLG19PN

**THE BEST WARRANTY
IN THE BUSINESS —
5 YEARS ON ALL PARTS.**

SAVE SPACE AND CUT UTILITY COSTS

A Maytag® Commercial Neptune® stack washer/dryer gives you a full-size high-efficiency washer and a super-capacity dryer in the space of a washer alone. Plus, the ENERGY STAR® rating means you'll save on utility bills. It's an instant boost for your bottom line!



COMPUTER TRAC® CONTROLS

Maytag® Computer Trac® controls are easy to program and provide simple one-touch cycle selection. The panel displays operating instructions, a countdown of the cycle time remaining and more.

FOR YOUR OPERATION:

- No Wash Agitator For Greater Capacity
- Fast-Drying 220 cfm Diagonal Airflow
- Angled Wash Basket For Easy Loading And Unloading
- Automatic Load Balancing
- Maximum Spin Speed Extracts More Water
- Built-In Over-Sudsing Protection
- Easy-To-Operate Computer Trac® Controls
- Display Shows Time Remaining In Cycle

BUILT-TO-LAST™ FEATURES:

- The Best Warranty In The Business
- Stainless Steel Wash Basket
- Precision Endurance Drive

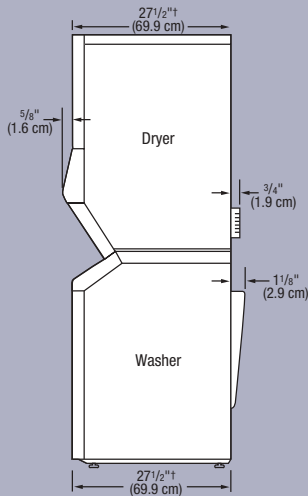
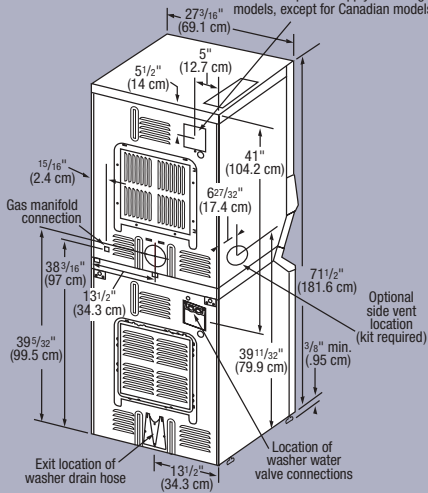


**PROGRAMMABLE
CONTROLS
MAKE OPERATION EASY.**

LAUNDRY SOLUTIONS YOU CAN *DEPEND* ON.

CLP658

Location of terminal block on electric models and power supply cord on gas models, except for Canadian models.



† Additional depth with venting will take from 1 1/8" to 7" (2.9 cm to 17.9 cm) of depth, depending on the vent method used.



5 YEARS — ALL PARTS

For a period from the date of original purchase through the time listed above, the designated parts that fail in normal commercial use will be repaired or replaced free of charge for the part itself, with the owner paying all other costs, including labor, transportation and customs duty. Chemical damage is excluded from all warranty coverage. See complete warranty for details.



Neptune® Stack Washer/Dryer — MICROPROCESSOR CONTROL

Neptune® Stack Washer/Dryer	
STACKED UNIT SPECIFICATIONS	
MODEL	MLE/MLG19PN
WASHER SPECIFICATIONS	
MOTOR	
120V, 50/60 Hz, variable-speed, reversible, high-efficiency, switched reluctance	•
HP (kw) — wash/spin	.25 (.19)/.5 (.38)
CAPACITY — cu. ft. (cu. m)	2.9 (.08)
INLET HOSE LENGTH — in. (cm)	48 (121.9)
DRAIN HOSE LENGTH — in. (cm)	42 (109.7)
APPROXIMATE WATER USAGE	
Hot-water cycle — gal. (liters)	5 (18.9)
Warm-water cycle — gal. (liters)	2.5 (9.5)
Overall — gal. (liters)	18 – 21 (68.1 – 79.5)*
DRYER SPECIFICATIONS	
MOTOR	
120V, 60 Hz, single-phase, thermoprotected against overload, auto-reset	•
Export models — 240V, 50 Hz and 220V, 60 Hz	•
HP (kw)	.25 (.19)
CAPACITY — cu. ft. (cu. m)	6 (.17)
AIRFLOW	
Domestic models — cu. ft. per minute (cu. m) per pocket	220 (6.2)
Export models — cu. ft. per minute (cu. m) per pocket	180 (5)
EXHAUST DUCT DIAMETER — in. (cm)	4 (10.2)**
NICHROME HELIX COIL HEATING ELEMENT (MLE models)	
ELECTRICAL REQUIREMENTS	
Approximate dryer draw — watts	5,900
Approximate overall draw — watts	6,300
Export models — watts	4,900
FUSE REQUIREMENTS	
MLE model — amps	30
MLG model — amps	15
SINGLE-PORT BURNER WITH AUTOMATIC ELECTRIC IGNITION (MLG models)	
GAS RATING PER DRYING CHAMBER (MLG models) — BTU/hr. (kcal/hr.)	24,000 (6,048)
AUTOMATIC PRESSURE REGULATOR (MLG models)	
ADJUSTABLE LEVELING LEGS	
COLOR	
White	•
APPROXIMATE WEIGHT	
Crated/uncrated — lbs. (kg)	335 (152)/303 (137)
* If optional additional rinse is used, add 5 gallons (18.9 liters); not dependent on incoming pressure or time.	
** Use a minimum of 4" (10.2 cm) diameter rigid aluminum or rigid galvanized-steel duct. Never use plastic, non-metal or combustible duct.	
See specific instructions for proper installation. Because of continuous product improvement, Maytag reserves the right to change specifications without notice.	



NEW YORK CITY
M.E.A.

