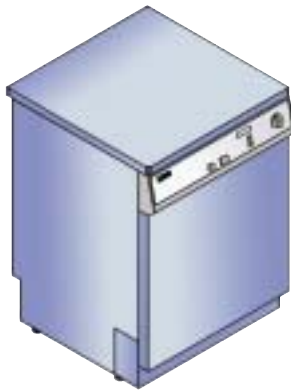


# G 7856

## Specifications & Cut-Out Dimensions



### Connection Locations

4" x 4" cutout recommended at bottom back right of cabinetry for water, drain, and electric pass through.

**Electrical:** 5 foot, 12 AWG, 3 wire, unterminated power cord at lower left rear

**Water:** Two 5 foot flexible water intake hoses, terminated with 3/4" female hose threads connect lower center rear

**Drain:** 5 foot flexible drain hose connects lower center rear

**Liquid Detergent Pump (optional):** Connection made at back of the machine. Please refer to install instructions included with the DOS G60/1 Liquid Detergent Pump.

### Electrical & Plumbing Specifications

#### Electrical

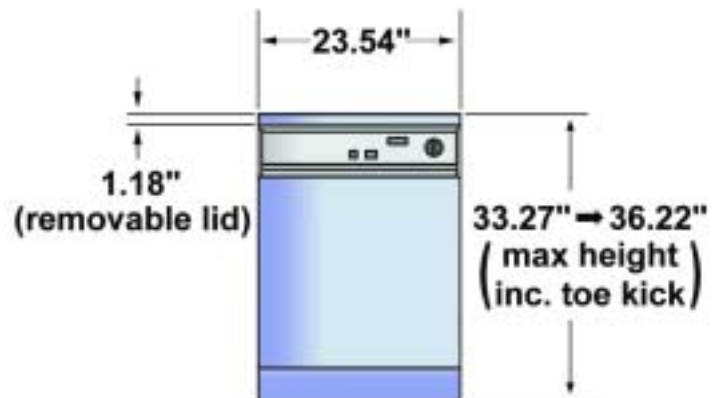
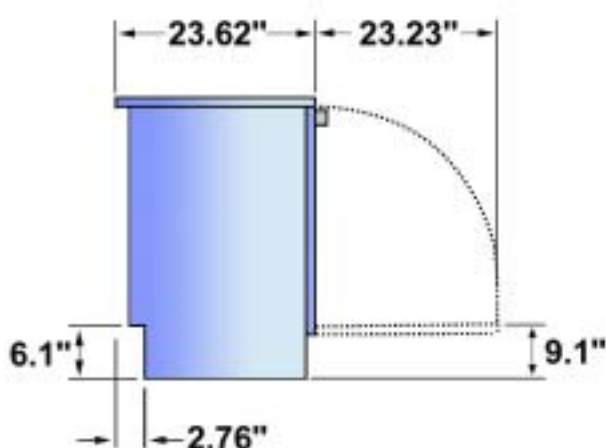
- 5 foot long, 12 AWG, 3 wire, unterminated power cord
- 240VAC, 60 Hz, 2 x 30 Amp.  
Note: 208VAC, 60 Hz, 2 x 30 Amp also available.  
Please specify at time of order.

#### Water Inlets

- Cold:** One 5' 7" long, 1/2" ID diameter flexible water intake hose with 3/4" female hose thread connector, for cold wash cycles. Connect to Cold tap water via 3/4" male hose thread shutoff valve.  
Recommended inlet pressure = 25 - 145 PSI.
- Hot:** One 5' 7" long, 1/2" ID diameter flexible water intake hose with 3/4" female hose thread connector, for hot wash cycles. Connect to Hot tap water via 3/4" male hose thread shutoff valve.  
Recommended inlet pressure = 25 - 145 PSI.

#### Drain

- One 5 foot long, 7/8" ID flexible drain hose.
- Maximum drain height = 3 feet.
- Maximum drain length = 12 feet.



All plumbing and electrical work must be performed by licensed professionals and adhere to all applicable Local, State and Federal Codes. The G 7856 can be installed either undercounter or as a freestanding unit.