

HydroTap Arc Plus BCS Tap

Product Spec Sheet



HydroTap Arc Plus Boiling/Chilled/Sparkling (BCS) Tap

The HydroTap by Zip Water is not a faucet. With instant access to filtered boiling, chilled and sparkling water, it's cooking made easy, it's wellness at your fingertips, it's water at its best, and it'll be the most used appliance in your kitchen.

Enjoy the benefits of the Hydrotap system wrapped in the timeless design of the HydroTap Arc Plus. With its curved 'swan neck', it will complement any kitchen or wet bar design – from traditional to contemporary.

This tap style can be installed over the sink as a secondary tap or over our optional design range front/drip tray. The HydroTap Arc Plus tap is available in seven different finishes from a classic chrome to a modern gunmetal.

HydroTap Arc Plus BCS Tap - Available Finishes



Chrome



Brushed
Chrome



Matte
Black



Brushed
Gold



Polished
Nickel



Brushed
Nickel



Gunmetal

Product Order Codes for HydroTap Arc Plus BCS Taps

HydroTap Arc Plus BCS Tap in Chrome	01046200
HydroTap Arc Plus BCS Tap in Brushed Chrome	01046201
HydroTap Arc Plus BCS Tap in Matte Black	01046202
HydroTap Arc Plus BCS Tap in Brushed Gold	01046203
HydroTap Arc Plus BCS Tap in Polished Nickel	01049069
HydroTap Arc Plus BCS Tap in Brushed Nickel	01046204
HydroTap Arc Plus BCS Tap in Gunmetal	01046205

Please see individual product spec sheets for command center and accessory product specs and order codes.

HydroTap Arc Plus BCS Tap

Product Spec Sheet



Installation Requirements

The HydroTap is a pump-driven system so the installation of the Tap must be within 3' (0.9m) of the base command center. Installation on most countertops is straightforward however, some stone countertops may require a specialized cutting service.

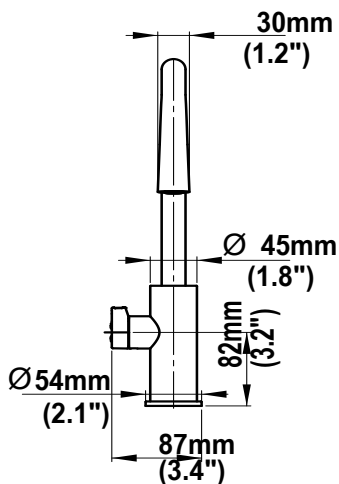
If using a drip tray (font) accessory, suitable drainage to a trapped waste is required within 3' (0.9m) of the installation. Sufficient space and clearance to install the HydroTap as detailed in the product installation guidelines is required.

Installation and connection of your HydroTap must be carried out by a qualified person, observing all local, state, & federal regulations.

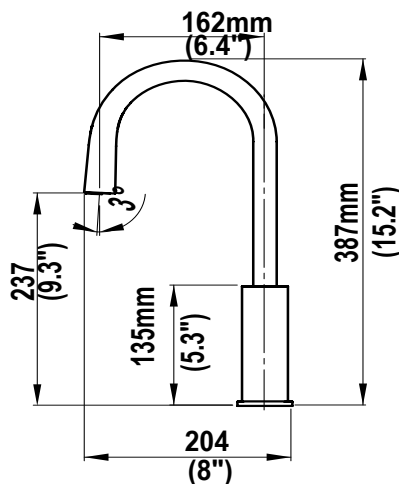
HydroTap Arc Plus BCS - Tap Specs

Style:	HydroTap Arc Plus Tap (BCS) - includes boiling water safety lock
Hole Size:	1 - 3/8" / 35mm
Tap Height:	15.2" / 387mm
Handle Orientation:	Left side - fixed
Installation:	The tap is showcased at its finest when paired with the optional Design Range Drip Tray / Drain Font. It can be also be installed as an accessory tap over an existing sink.
Flow Rate:	Max 1.8 gpm / 6.81 lpm
Sparkling Water Flow Rate	0.4 gpm / 1.51 lpm
Product Certifications:	IAPMO - NSF/ANSI 372, 42, 53, CSA B438.1, ASSE 1023, ASSE 1087; cUL; CEC; AB-100
ADA Compliant:	Yes

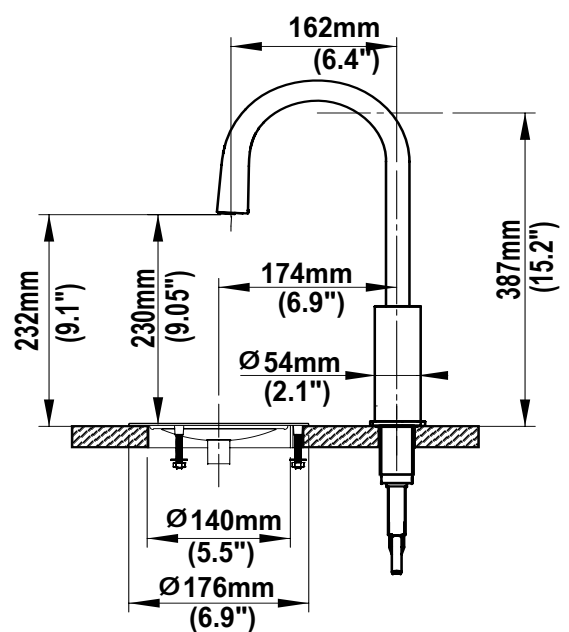
Arc Plus - Front View



Arc Plus - Side View



Arc Plus on Optional Standalone Font



Installation by Zip Professional Service is available in select metro areas and can be arranged with a phone call to 1-833-233-2358 or by emailing wecare@na.zipwater.com. Technical Installation assistance over phone or video call can be obtained by calling our customer care line at 1-833-233-2358, Monday through Friday 8am - 7pm Central Time.