

KEY FEATURES

- 1.7 cu.ft. Oven Capacity
- WideView™ Window
- PrintProof™ Stainless Steel
- Sensor Cooking
- Air Fry
- Touchless Lighting
- Wi-Fi Connect (ThinQ® Technology)
- ThinQ UP
- Auto Cook



Air Fry



Control Panel



LG ThinQ® App

PRODUCT FEATURES

SUMMARY		LIGHTING	
Oven Capacity (cu.ft.)	1.7 cu.ft.	Lighting (Exterior/ Interior)	LED Lighting
Type	Over-the-Range Microwave	SAFETY FEATURES	
Materials/ Finishes	PrintProof™ Stainless Steel	Child Lock	Yes
FEATURES		VENTING SYSTEM	
Microwave Power Output (W)	950	Filtration	Charcoal Filter
Convection Power Output (W)	1550	Exhaust Grease Filter	2
Exterior Design	WideView™ Window (One body frame Monitor look)	Power Levels	4
Control Type	Glass Touch (SmoothTouch™)	Vent Grille Type	Hidden
Backlit Control Panel	Yes	Vent Air Flow (CFM)	300
Control Location	Bottom	MATERIALS AND FINISHES	
Display	White LED Scrolling, 2 Lines	All Available Colors	PrintProof™ Stainless Steel
EasyClean® Interior	No (STS)	PrintProof™ Finish	Yes
COOKING FEATURES		Interior Color	Stainless Steel
Convection	Yes	Handle Type	One Body
Air Fry	Yes	SMART FEATURES	
Air Sous-Vide	Yes	ThinQ® (Wi-Fi Enabled)	Yes
Defrost	Auto/ Time	ThinQ UP	Yes
Proof	Yes	Voice Control	Google Assistant Amazon Alexa
Warm	Yes	Smart Receipt (3rd Party Recipe App)	No (ThinQ Up Recipe only)
Power Levels for MW	10	Proactive Customer Care	Yes
Sensor Function	Yes (19) Sensor Reheat (6), Sensor Cook (12), Popcorn (1) Yes(34)	Smart Diagnosis™	Yes
Auto Cook	Auto Defrost(5), Steam Cook(7), Soften(4), Melt(4), More Modes (7EA), Warm (1EA), Proof (1EA), Manual Cook(5EA)	ACCESSORIES	
Custom Settings	Yes	Crispy Tray	Yes
CONVENIENCE FEATURES		POWER/ RATING	
Wi-Fi Connect (ThinQ®)	Yes	Volts	120/ 60
ThinQ UP	Yes	Amps/ Watts	14.5A/ 1700W
ExtendaVent™ 2.0	No	DIMENSIONS/ CLEARANCES/ WEIGHT	
Racks	1	Cavity (WxHxD)	21 10/16" x 9 12/16" x 14 4/16"
Turntable Diameter (Inches)	13.5"	Exterior (WxHxD) (without or with handle)	29 14/16" x 16 8/16" x 16 6/16"
Clock	Yes	Net Weight (lbs)	72.6
Kitchen Timer	Yes	Shipping Weight (lbs)	85.8
Completion Beeper	Yes	Shipping Dimensions (WxHxD)	33 7/16x 21 x 19 5/16
Turntable On/Off	Yes	LIMITED WARRANTY	
Add 30 Second	Yes	Parts and Labor	2 Year
Included Accessories	Metal Tray, Steam Bowl, Metal Rack, Tray, Crisp	UPC CODE	
Sensor Light	Yes	MHEU1738X	048231349697
EasyClean (Steam)	Yes		

MHEU1738X

Smart Over the Range Convection Microwave

QUICK INSTALL & CLEARANCES

For full installation directions/clearances please refer to the corresponding User Manual and Installation Guide.

DIMENSIONS

Cavity (WxHxD)	21 10/16" x 9 12/16" x 14 4/16"
Exterior (WxHxD) (without or with handle)	29 14/16" x 16 8/16" x 16 6/16"
Net Weight (lbs)	72.6
Shipping Weight (lbs)	85.8
Shipping Dimensions (WxHxD)	33 7/16" x 21 x 19 5/16"

POWER SOURCE

Volts	120 / 60
Amps / Watts	14.5A / 1700W

IMPORTANT SAFETY INSTRUCTIONS

⚠ WARNING

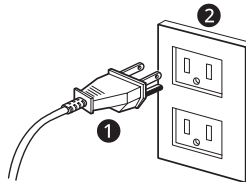
To reduce the risk of explosion, fire, death, electric shock, injury or scalding to persons when using this product, follow basic precautions, including the following:

Installation

- This appliance should not be installed by anyone except properly qualified service personnel.
- You will need two people to install this appliance. It is heavy and could cause personal injury if not handled properly.
- Avoid Electric Shock. Before you drill into the wall, note where electrical outlets are and where electrical wires might be concealed behind the wall. You could get an electric shock if you contact electrical wires with your drill bit. Locate and disconnect the power to any electrical circuits that could be affected by installing this appliance. If you do not disconnect the power, you could get an electric shock.
- This appliance must be grounded. If there is an electrical short circuit, grounding reduces the risk of electric shock by providing an escape wire for the electric current. This appliance is equipped with a cord which includes a grounding wire with a grounding plug.
- Place the plug into a properly installed and grounded outlet

- 1 Three-pronged (grounding) plug
- 2 Properly polarized and grounded outlet

- Do not use an extension cord.
- Keep the power cord dry and do not pinch or crush it. Failure to follow this instruction may cause a fire hazard.
- Do not, under any circumstances, remove the power supply cord grounding prong.
- If you use the grounding plug improperly, you risk electric shock and/or fire. Check with a qualified electrician if you are not sure whether the oven is properly grounded or if you do not completely understand the grounding instructions.
- Do not use a fuse in the neutral or grounding circuit.
- Improper grounding could result in electric shock, fire or other personal injury.



PRODUCT DIMENSIONS



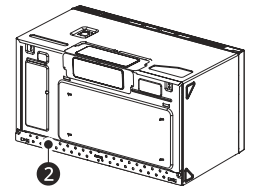
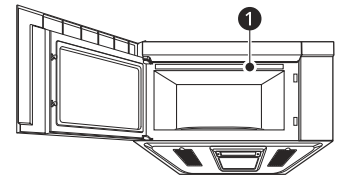
INSTALLATION

Before You Start

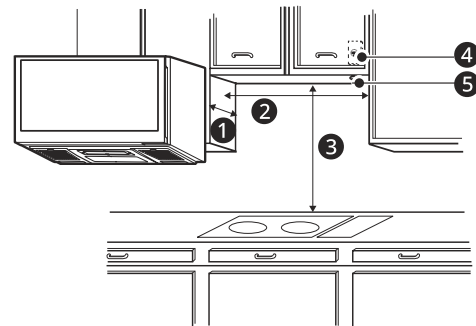
Be sure to read the following safety instructions

Read the entire manual before you begin. The model number plate ① is located on the oven front.

The mounting plate ② is located on the back side of the microwave oven



Be sure you have enough space (minimum vertical and horizontal clearance).



- 1 Maximum 13": cabinet depth
- 2 Minimum 30": cabinet opening width
- 3 Minimum 30": clearance from bottom of cabinet to cooking surface or countertop before installation. (Use templates included with installation instructions.)
- 4 Grounded Outlet (inside upper cabinet)
- 5 Power Supply Cord Hole