

HydroTap Celsius Plus All-in-One (AIO)

Boiling/Chilled/Sparkling (BCS) 120V Product Spec Sheet



HydroTap Celsius Plus All-in-One (AIO)

Form meets function with the HydroTap Celsius Plus All-in-One (AIO). Intended for installation over a sink in the kitchen or wet bar, the Celsius Plus AIO instantly dispenses filtered boiling, chilled and sparkling water, plus unfiltered hot & cold water. And it's all wrapped up in Zip Water's enduringly stylish design.

So whether you are looking to upgrade your home hydration or you want the convenience of cooking made easy, the HydroTap Celsius Plus AIO is the perfect tap to meet your needs. The Celsius Plus AIO is available in seven luxury finishes to complement any kitchen or wet bar.

HydroTap Celsius Plus All-in-One - Available Finishes



Chrome

Brushed
Chrome

Matte
Black

Brushed
Gold

Polished
Nickel

Brushed
Nickel

Gunmetal

Product Order Codes for HydroTap Celsius Plus AIO Tap/Faucet (select one)

HydroTap Celsius Plus AIO BCS Tap/Faucet in Chrome	01045832
HydroTap Celsius Plus AIO BCS Tap/Faucet in Brushed Chrome	01045833
HydroTap Celsius Plus AIO BCS Tap/Faucet in Matte Black	01045834
HydroTap Celsius Plus AIO BCS Tap/Faucet in Brushed Gold	01045835
HydroTap Celsius Plus AIO BCS Tap/Faucet in Polished Nickel	01048875
HydroTap Celsius Plus AIO BCS Tap/Faucet in Brushed Nickel	01045836
HydroTap Celsius Plus AIO BCS Tap/Faucet in Gunmetal	01045837

Product Order Code for HydroTap BCS 120V Command Center

HydroTap BCS 120V Command Center	01043466
----------------------------------	----------

Product Order Code for CO₂ and Regulator

2 x 1.5lb Beverage-Grade Carbon Dioxide (CO ₂) Cylinder	01034347
CO ₂ Regulator	01034349
1 x 5lb Beverage-Grade Carbon Dioxide (CO ₂) Cylinder (optional upgrade - if space allows)	01034348

HydroTap Celsius Plus All-in-One (AIO)

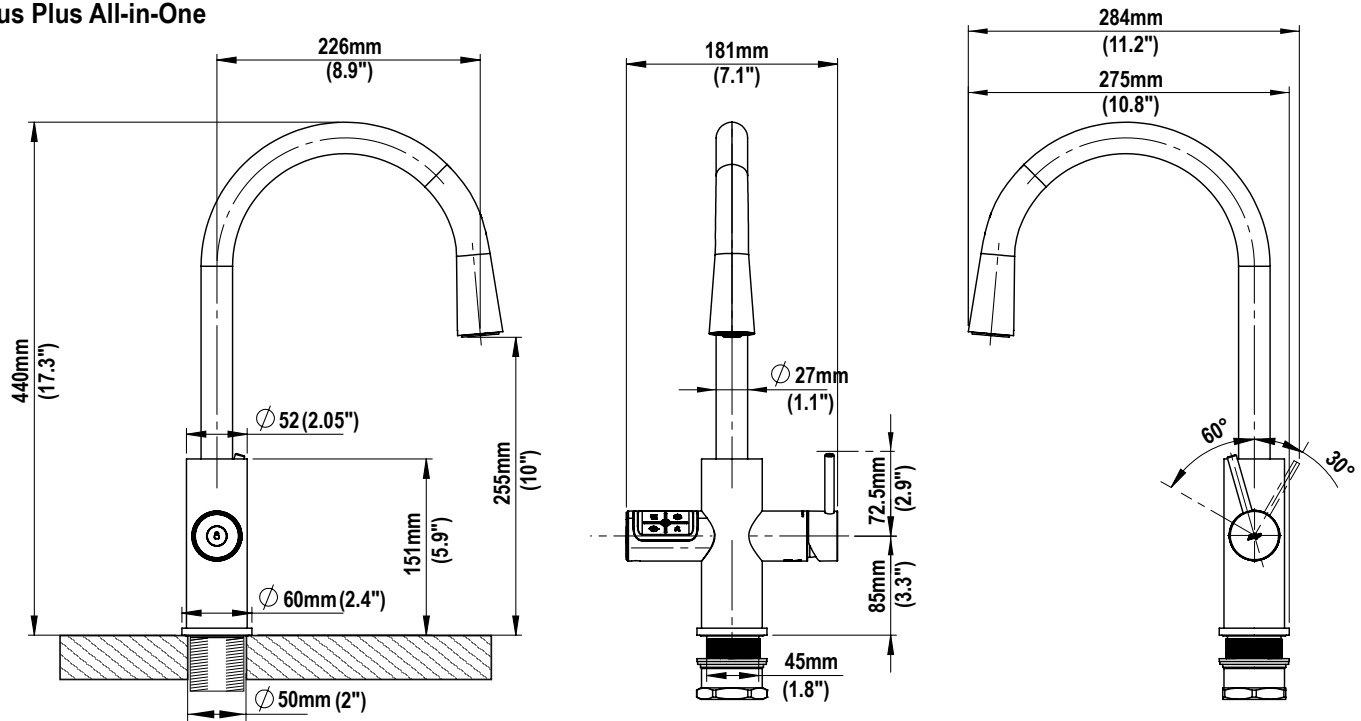
Boiling/Chilled/Sparkling (BCS) Product Spec Sheet



HydroTap Celsius Plus AIO BCS 120V - Tap/Faucet Technical Specs

Style:	HydroTap Celsius Plus All-in-One (AIO) BCS 120V
Hole Size:	2" / 50mm
Tap Height:	17.3" / 440mm
Installation:	Over the sink as the primary faucet
Flow Rate:	Max 1.8gpm / 6.81 lpm
Sparkling Water Flow Rate	0.4 gpm / 1.51 lpm
Mixer Type:	Ceramic disc cartridge
Water outlets:	Installation requires both hot and cold water supplies
Clearance for handle:	Minimum distance from center hole to wall: 3 ⁷ / ₁₆ " (88mm)

Celsius Plus All-in-One



HydroTap Celsius Plus All-in-One (AIO)

Boiling/Chilled/Sparkling (BCS) 120V Product Spec Sheet



HydroTap Celsius Plus AIO BCS 120V - Command Center Technical Specs

Style:	HydroTap Celsius Plus All-in-One BCS 120V
Water outlets:	Installation requires both hot and cold water supplies
Water Pressure:	Min 37psi – Max 100psi (2.60 - 7.03kg/cm ²) with a minimum flow rate of 1 gpm (3.79lpm)
Water Connection:	2 x 1/2" BSP or 3/8" FPT compression (depending on manufacture date) with shut off valve is required within 3' (0.9m) of the installation
Integral Water Values:	All HydroTap systems are fitted with a Dual Check Valve and a 50psi (3.52kg/cm ²) Pressure Limiting Valve
Water Supply Requirements:	Potable drinking water supply
Optimal Total Dissolved Solids (TDS) Range:	TDS Min 50ppm – Max 150ppm
Integral Water Filter:	0.2 micron, 1 size - replace every 1,100 gallons / 4,163 liters or 12 months
Power Rating:	110-120V, 50-60Hz, 15 amp power supply with a NEMA 5-15 outlet
Command Center Dimensions (WxDxH):	13.3" x 18.2" x 13.1" / 339mm x 462mm x 333mm
Minimum Air Gap:	Minimum of 2" / 50mm clearance on left and right side and 8" / 200mm above
Minimum Cabinet Size (Without Garbage Disposal):	20" wide x 24" deep / 508mm wide x 610mm deep
Minimum Cabinet Size (With Garbage Disposal):	30" wide x 24" deep / 762 mm wide x 610mm deep When installing the HydroTap Celsius All-in-One BCS 120V in a cabinet with a garbage disposal, the cabinet must be at least 30" wide x 24" deep and the sink must have an off-centered drain to allow for the placement of the garbage disposal off to one side and the command center to the other.
Maximum Hose Connection Length	3' / 0.9m (tap to command center)
Minimum Distance Needed for Installation	15" / 381mm (interior wall to garbage disposal)
Warranty:	3 years (2 year Limited Warranty plus additional 1 year available on product registration)
Compatible CO₂ Cylinder:	Zip Water 1.5lb CO ₂ or 5lb CO ₂ (if space allows) with CGA-320 fitting
CO₂ Operating Pressure:	Min 39psi - Max 44psi / Min 2.74 - Max 3.09kg/cm ²

HydroTap Celsius Plus All-in-One (AIO)

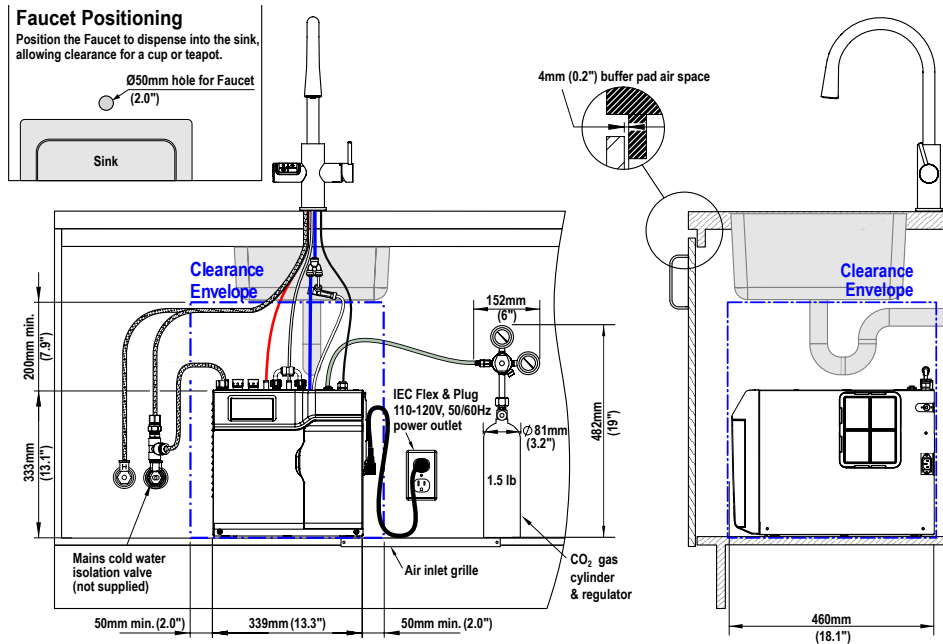
Boiling/Chilled/Sparkling (BCS) 120V Product Spec Sheet



Installation Requirements

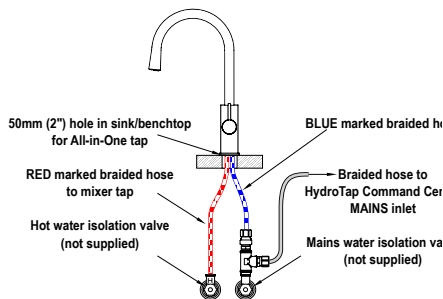
The HydroTap is a pump-driven system so the installation of the Tap must be within 3' (0.9m) of the base command center. Installation on most countertops is straightforward however, some stone countertops may require a specialized cutting service.

Installation and connection of your HydroTap must be carried out by a qualified person, observing all local, state, & federal regulations.



Mains hot water supply installation

Hot and cold water supply required

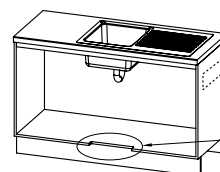
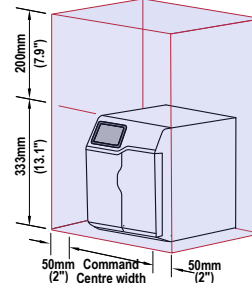


Ventilation requirements

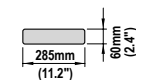
Contact your local service provider if ventilation is not suitable

Clearance envelope

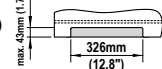
Position the Faucet and the Command Centre as close together as possible.



Air outlet vent (required if interior temperatures exceed 35°C / 95°F)
Cut-out in door/wall, towards the top of the cabinet



Air inlet cut-out (required)
Cut-out in cabinet floor



Please call 1-833-233-2358 M-F 8am-7pm Central Time with questions.