

**HERO LIGHT BAR**

WJLFWKH / WJKFWKH / WTJFWKH / BRBFWKH



**51-INCH 6IN PODS X 8 LED LIGHT BAR**

**User Manual**

# Installation Guide

WJLFWKH / WJKFWKH / WTJFWKH / BR6FWKH

## BOX CONTENTS

- One (1) 51-inch aluminum bar with mounting brackets
- Eight (8) 6-inch POD lights with Deutsch connectors
- Main wire harness
- 16-IN pigtail harness

**Note: Universal and vehicle specific harnesses sold separately**

- Eight (8) 6-inch Stinger black covers
- Eight (8) Amber covers

## FEATURES

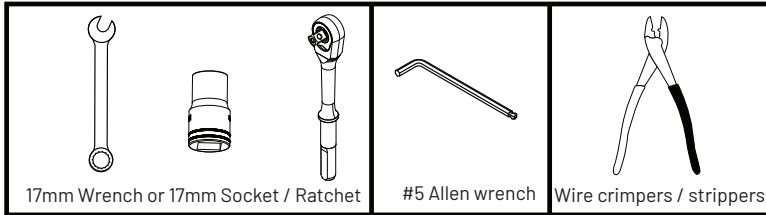
- Trail-ready design
- High-output LED light engine
- Durable HEXCORE aluminium housing
- Flood / Spot combo beam pattern
- White or Amber halo backlit
- Weather-sealed design for harsh environments
- Universal mounting system

## TECHNICAL SPECIFICATIONS

- Operating Voltage: 10-30V DC
- Light Source: High-intensity LEDs
- Material Housing: Die-cast aluminium
- Material Lens: Polycarbonate
- Ingress Protection: IP67 / IP69K
- Operating Temperature: -40°F to 149°F(-40°C to 65°C)

## REQUIRED TOOLS

- 13mm wrench or 13mm socket and ratchet
- Number 5mm Allen wrench
- Wire crimper's or cutters

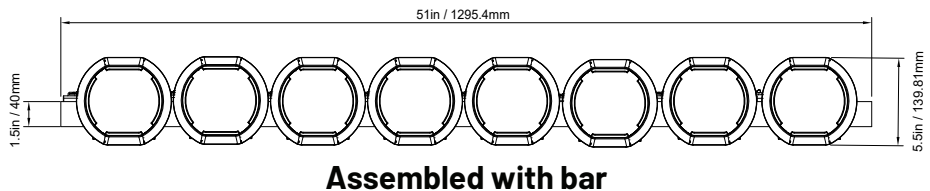
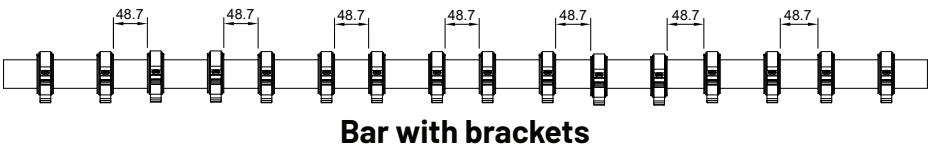


## WIRING

PIN	WIRE COLOR	FUNCTION	VEHICLE WIRING
PIN 1	Red	Hi beam power	External 12V switch
PIN 2	Black	Ground	Chassis ground
PIN 3	Green	Low beam switch	External 12V switch
PIN 4	White	White halo	External 12V switch
PIN 5	Yellow	Amber halo	External 12V switch
PIN 6	N/C	No connection	No connection

Connector is shown from the wire side

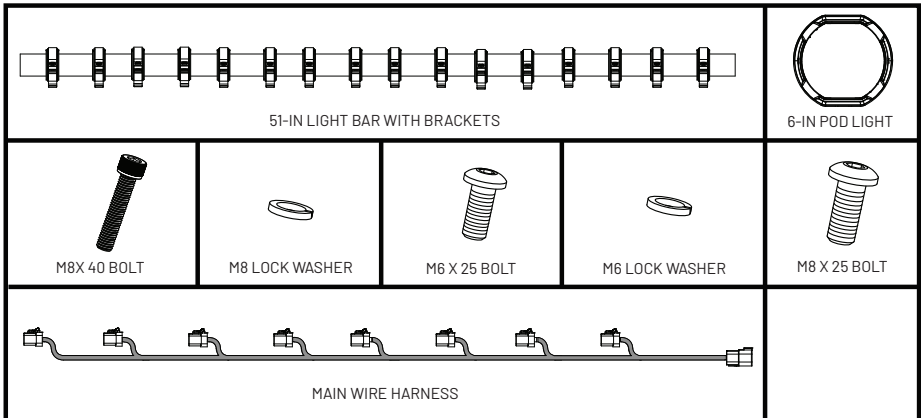
## DIMENSIONS



# Installation Guide

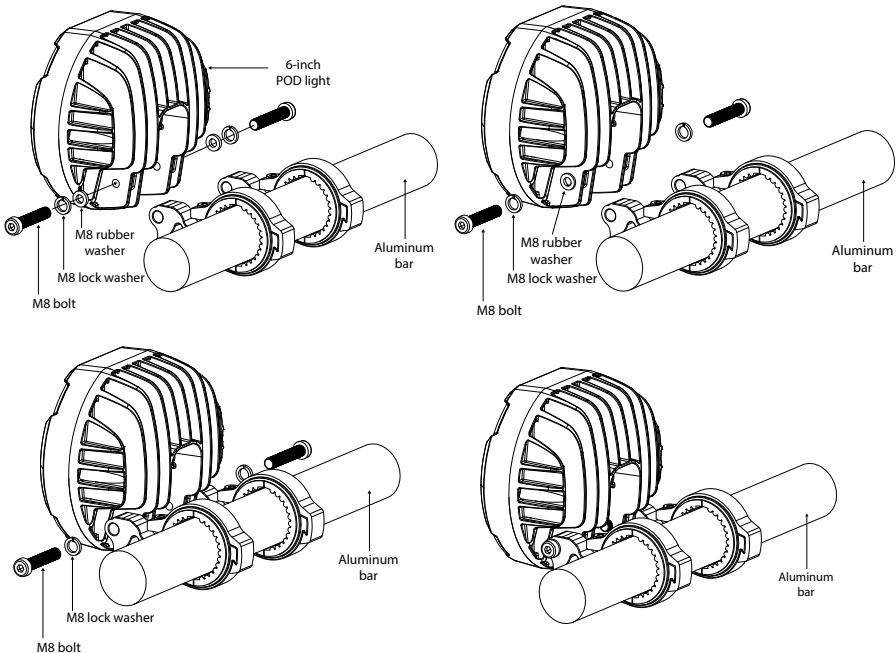
## MOUNTING HARDWARE

- One (1) 51-inch light bar with 6-inch POD brackets
- 6-INCH POD light
- Sixteen (16) M8 X 40mm black oxide bolts
- Sixteen (16) M8 Lock washers
- Two (2) M6 25mm black oxide bolts
- Two (2) M6 Lock washers
- Two (2) M8 X 25mm bolts



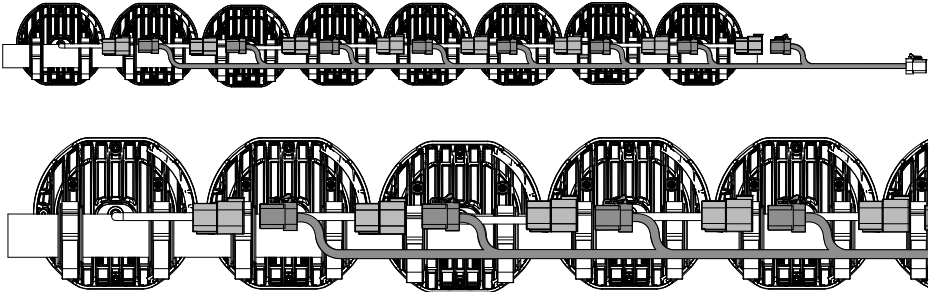
## POD LIGHT ASSEMBLY - LIGHT BAR

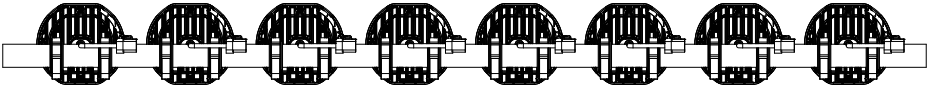
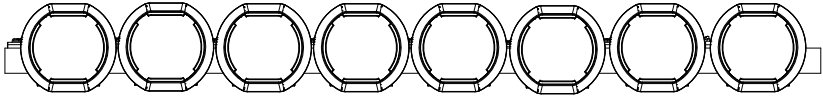
- Place the light bar on a clean, flat surface.
- The light bar is pre-assembled with mounting brackets designed for each 6-inch POD light.
- Slide a 6-inch POD light into the mounting brackets as shown.
  - Install one M8 rubber washer between each bracket and the POD light, as illustrated.
- Once the POD light is positioned correctly, secure it using the supplied M8 bolt and lock washer.
- Tighten the mounting hardware using the included 5 mm Allen wrench.
- Repeat this process for each POD light, on the light bar.



## WIRE HARNESS ASSEMBLY - LIGHT BAR

- Connect the main wire harness to the light bar
- Connect the green wire to a positive (+) 12V switch for Low beam.
- Connect the black wire to a clean chassis ground.
- Connect the yellow wire to a positive (+) 12V switch for amber halo.
- Connect the white wire to a positive (+) 12V switch for white halo.





# Installation Guide

