

Modus



USER MANUAL | GX-65B / GX-65W
6.5" Coaxial Speaker Pair | Marine Grade | High Efficiency | Sport Grille

Welcome to Modus.

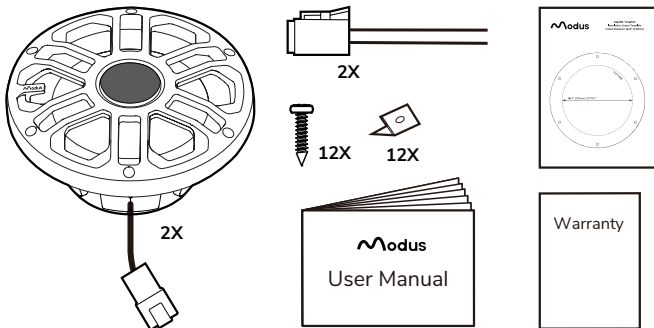
You've chosen precision performance that works seamlessly in the background of every adventure. This user manual will help you unlock your system's full potential. Take a moment to review this manual and keep it stored in a convenient place for future reference.

Introduction

This product is designed as a marine grade speaker for dedicated use in a boat or powersports vehicle, and designed for infinite-baffle applications (speaker enclosure is not required for operation). The speaker is built with a 2-way system: a polypropylene cone and a PEI dome tweeter. A 2-way crossover is also built in. The speaker grille is made from UV- and corrosion resistant plastic.

The marine grade speaker is engineered to be weatherproof, resistant to water and salt spray.

What's in the box



When first unpacking this product, please check that the package contains each of the items listed below. If something is missing, contact the place of purchase.

- 2x Marine speakers
- 2x Wire harnesses
- 12x Mounting screws (BA4 x 35 mm) and clip nuts
- Installation cutout template
- User manual
- Warranty

Specifications

- Full range speakers

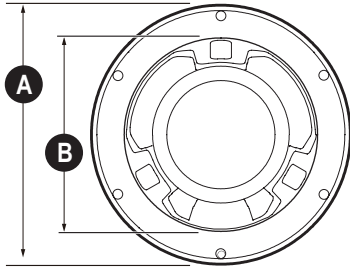
Woofers: 6.5", polypropylene cone, NBR surround

Tweeter: 0.5" (13 mm), PEI dome tweeter

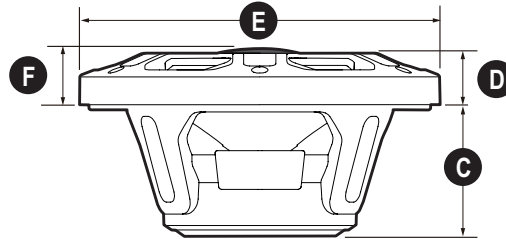
- **Power handling:** 50W RMS
- **Frequency response:** 70 Hz – 20 kHz
- **System sensitivity:** 88 dB (1 watt/1 meter)
- **Ingress protection rating:** IP65

- **Nominal impedance:** 4 Ω
- **Cutout diameter:** 5.16" (131 mm)
- **Mounting depth:** 2.44" (62 mm)

Speaker dimensions



- A.** Overall Diameter: 6.65" (169 mm)
- B.** Mounting Hole Diameter: 5.16" (131 mm)



- C.** Mounting Depth: 2.44" (62 mm)
- D.** Grille Protrusion: 1.1" (28 mm)
- E.** Overall Speaker with Grille: 6.93" (176 mm)
- F.** Tweeter Protrusion: 1.18" (30 mm)

Installation

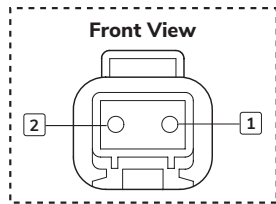
Precautions

Prior to installation, disconnect the negative terminal of the vessel battery.

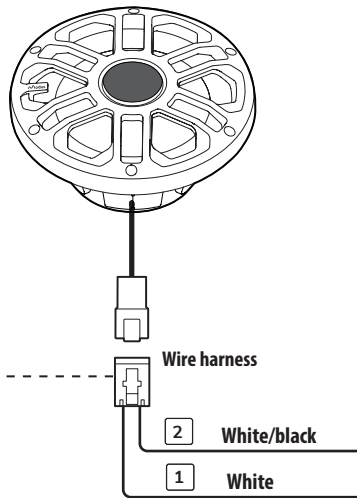
Avoid routing wires near any sharp or moving parts. Run wires away from other wires that may cause unwanted noise. Insulate bare wires properly. Seal connections to ensure water-tight connection.

Before you drill or cut any holes, investigate your vessel's layout very carefully. Take special care when you work near the fuel tank, fuel lines, hydraulic lines and electrical wiring.

Deutsch connector



Audio Signal Wiring



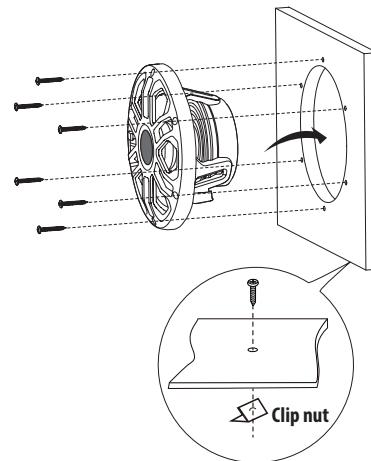
- Connect to audio outputs of your amplifier, **white** wire for positive terminal and **white/black** wire for negative terminal.
- Use 18 gauge (or heavier) wires to extend speaker wires.

Mounting

Choose a mounting surface that has sufficient depth to accept the speaker.

Make sure the speaker is firmly secured and the mounting area is sufficiently stable.

1. Use the supplied cut-out template to mark the mounting hole and screw holes on the mounting surface.
2. Cut the mounting hole in the surface.
3. Secure the speaker in the mounting hole using the supplied screws and clip nuts.



USER MANUAL

Modus

1451 Vanguard Drive, Oxnard, CA 93033

www.modusglobal.com

Customer Service 805-790-7383

Tech Support: <https://support.modusglobal.com>



0126

V:A