

Let us know what you think of your new baselogic™ adjustable base. Scan the QR code or click the link [HERE](#).



baselogic™ Gold Split Head

FROM THE MAKERS OF



AND

Beautyrest.



Owner's Manual

Contents

- 4 Important Safety Information
- 6 Getting to Know Your Adjustable Bed Base
- 8 Parts List
- 9 Base Overview
- 10 Electronic Overview
- 11 Installation Guide
- 13 Remote Control
- 14 Remote Control Programming & Child Lock
- 15 Remote Control Pairing
- 16 Headboard Bracket Installation Guide (Not Included)
- 18 Battery backup strap (optional)
- 19 Troubleshooting
- 20 20 Year Limited Warranty

Contact

1-888-550-3746

info@ergomotion.com

ergomotion.com

Français

- 22 Informations de sécurité importantes
- 24 Apprendre à connaître votre base réglable
- 26 Liste des pièces
- 27 Aperçu de la base
- 28 Aperçu de l'électronique
- 29 Guide d'installation
- 31 Télécommande
- 32 Programmation prédéfinie et verrouillage parental
- 33 Couplage de la télécommande
- 34 Guide d'installation des fixations de tête de lit (non inclus)
- 36 Sangle des piles de secours
- 37 Dépannage
- 38 Garantie Limitée De 20 Ans

Español

- 40 Información importante de seguridad
- 43 Conozca su base de cama ajustable
- 45 Lista de partes
- 46 Diagrama de la base
- 47 Resumen electrónico
- 48 Instalación de la base
- 50 Control Remoto
- 51 Programación remoto y bloqueo para niños
- 52 Configuración de control remoto
- 53 Instalación del soporte de la cabecera (no incluido)
- 55 Correa de respaldo de la batería
- 56 Solución de problemas
- 57 Garantía Limitada de 20 Años

Important Safety Information



Always read, understand, and follow the warnings and instructions in this manual before using your adjustable bed base.

WARNING

To prevent electric shock, serious injury, or death:

- **ENTRAPMENT HAZARD.** This bed can crush and kill when it moves! See Children and Pets section for more information.
- It is recommended to plug the adjustable bed base power cord into a surge protector (not included). The bed base should only be plugged directly into a surge protector (recommended) or into an electrical outlet.
- Always unplug the base from the surge protector or electrical outlet before servicing any part of the adjustable bed base. To reduce risk of electric shock, unplug the base before cleaning. To safely disconnect, ensure the base is in a flat position with all motors off, and unplug from power source. Keep the power cord away from heated surfaces.
- Discontinue use of the bed base and contact a qualified service center if it has a damaged cord or plug, it is not working properly, or it has been exposed to water.
- Only use this bed base for its intended use as described in this manual.
- Do not use accessories/attachments that are not recommended by the manufacturer. Close supervision is required when the bed base is used by or near children, convalescents, disabled persons or pets.
- Improper connection of the equipment can result in the risk of electrical shock, electrical fire or faulty operation of this bed base. If the plug does not fit your electrical outlet, contact a qualified electrician to install a suitable outlet.
- Unauthorized modification or failure to use an electrical outlet or surge protector could void the electrical portion of your warranty.



CHILDREN AND PETS

WARNING

ENTRAPMENT and CRUSH HAZARDS. Moving parts can crush and kill!

To prevent **SERIOUS INJURY** or **DEATH**:

- Be sure no children or animals are near or under the bed before lowering.
- Always lower to flat (horizontal) position and engage the Child Safety Lock before leaving the room.
- Store remote out of the reach of children.



Warning icon: Immediately dispose of all packing materials and any plastic bags as these may pose a suffocation risk to children and animals.

PACEMAKERS

It is **STRONGLY** recommended that individuals with pacemakers or other implanted medical devices consult their physician prior to using products that contain Neodymium magnets.



Some products contain Neodymium magnets which may interfere with medical devices such as pacemakers, implantable cardioverter-defibrillators, and any other device sensitive to magnetic fields.

It is also possible that some pacemakers may falsely interpret the optional massage feature vibrations as movement/exercise. This is a common occurrence with any product that creates a vibrating movement and may affect the pacemaker. Please consult your physician before using the massage feature.

IMPORTANT DO'S AND DON'TS

DO:

- Plug your adjustable base into a surge protector.
- Call Ergomotion's Customer Service for any technical issues. Do not try to force the base down, this can damage the motors or frame.

- Keep in mind that adjustable bases are recommended to be used with adjustable friendly mattresses.
- Lower to the flat (horizontal) position after use and in between presets.
- Evenly distribute weight when sleeping in a split setup. Uneven distribution of weight can cause the base to raise unevenly.
- Register your warranty as soon as your adjustable base has been delivered.
- Use mild soap and water to clean your adjustable base if staining occurs.
- Enter or exit your adjustable in the flat (horizontal) position.

DON'T:

- Sit on corners/edges of base, this may warp the frame, struts or foam.
- Tilt the base on its side. This can damage the legs and/or leg screws.
- Stand or jump on the adjustable base at any time, this can damage the frame and motors.
- Drag the base to move it. Dragging the base could damage the frame, strip the nut/bolts or break the legs. Purchase castors if you plan on moving your base routinely.
- Enter and exit the adjustable base with the head and/or foot in the articulated position.
- Tinker with or modify base. This will void the warranty.
- Press down on the head or foot sections while actuated, this can damage frame and motors.

SAFETY FEATURES

Manual operation – If something gets caught in the platform when flattened, you can manually raise the platform up by lifting either the head or the foot section to relieve pressure and allow for release. The motors are designed to lower the mattress by retracting only with gravity, never pulling downwards, which minimizes pinch points.

Child Safety Lock – This remote control is programmed with a Child Safety Lock function. Information on locking and unlocking the Child Safety Lock of this feature can be found in the Remote Control Programming & Child Safety Lock section of this manual.

Emergency stop – Stop the motion of the platform by pressing any button on the remote control.

Power outage – Use the Battery Backup Strap as a temporary power source to get the adjustable bed base to the desired position. Please see the Battery Backup Strap section for more information.

Casters (optional leg accessory) – are equipped with locking wheels to prevent unwanted movement. Even when locked, it is possible for the casters to slide.

IN-HOME USE AND HOSPITAL STANDARDS

Ergomotion adjustable bed bases are designed solely for in-home use. This adjustable bed base was not designed as a hospital bed and is not designed to meet hospital standards.



Do not use this base with TENT TYPE oxygen therapy equipment or near explosive gases.

FCC COMPLIANCE

NOTE: This equipment has been tested and found to comply with the limits for a Class B digital device, pursuant to part 15 of the FCC Rules. These limits are designed to provide reasonable protection against harmful interference in a residential installation. This equipment generates, uses and can radiate radio frequency energy and, if not installed and used in accordance with the instructions, may cause harmful interference to radio communications. However, there is no guarantee that interference will not occur in a particular installation. If this equipment does cause harmful interference to radio or television reception, which can be determined by turning the equipment off and on, the user is encouraged to try to correct the interference by one or more of the following measures:

- Reorient or relocate the receiving antenna.
- Increase the separation between the equipment and receiver.
- Connect the equipment into an outlet on a circuit different from that to which the receiver is connected.
- Consult the dealer or an experienced radio/TV technician for help.

SAVE THESE INSTRUCTIONS FOR FUTURE REFERENCE.

Getting to Know Your Adjustable Bed Base

ADJUSTABLE BASE WEIGHT LIMITS

This product is not rated to support weights exceeding a total of 750 lbs. (340 kg), including the mattress and bedding.



Exceeding this weight limit can damage the adjustable base, cause serious injury, and void the warranty.

The base can structurally support this weight limit, provided the weight is evenly distributed across the adjustable base. The adjustable base is not designed to support or lift this amount only using either the head or the foot sections.

LIFTING/LOWERING MECHANISMS

The lift/lower feature will emit a minimal humming sound during operation. This is normal. Tension, pressure or movement applied to the frame, platform or shroud through general use may create audible sounds.

During operation, the lift arm wheels make contact with the platform support of the base. This contact may result in metal on metal or metal on plastic contact. This applies slight tension on the moving components and resonance is reduced to a minimum level. If excessive noise or vibration is experienced, reverse the movement action (up or down) of the base with the remote control. This should realign the base's activating mechanisms to the proper operational position.

In normal base operation, the wheels which allow the bed to maintain its distance from the wall, will make contact with the steel platform supports of the base creating a contact noise. When entering, exiting or shifting weight on the base, this contact noise may be audible as the wheels make contact. This is normal.

PAIRED OPERATION

When using synchronized adjustable beds, there may be an interval of up to 1.5 seconds between the movements of each bed.

MOTORS

The lift motors are not designed to operate continuously for more than two (2) minutes in an eighteen (18) minute time period or approximately 10% duty cycle. Attempting to circumvent or exceed this rating will shorten the life expectancy of the product and may void the warranty.

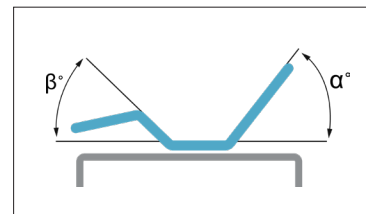
The massage motors (if equipped) are not designed to operate continuously for more than thirty (30) minutes at a time. Please allow the massaging system to rest for thirty (30) minutes after automatic massage shut off before restarting.

TOLERANCE

All Ergomotion adjustable foundations, depending on make and model, are designed and manufactured to perform and function within designated quality control parameters. Bases are subject to meticulous and rigorous inspections during the quality control process to ensure bases will operate within these standards during normal operating use.

Normal operating use is defined as the following: Adjustable foundation is to be operated with a mattress and load. Testing procedures require lifetime cycle tests with up to 265 lbs. (120 kg) distributed load. The angle (designated "α" in figure 1) between the back section and the flat section for various configurations of the mattress support platform shall be $\pm 3^\circ$, which translates to a tolerance of up to 1 1/2".

The angle (designated "β" in figure 1) between the flat section and foot section for various configurations of the mattress support platform shall be $\pm 3^\circ$, which translates to a tolerance of up to 3/4". Any adjustable foundation deemed to be within these allocated tolerances is considered to have met the manufacturer's quality control standards.



MATERIALS OF CONSTRUCTION

Ergomotion adjustable bases are constructed from various materials including woods, metals, plastics and fabrics.

THAT “NEW PRODUCT” ODOR

Some people may notice a slight odor when they receive their new adjustable base.

This odor is normal and usually dissipates before the product is delivered to you. Sometimes, this odor may still be noticeable and should dissipate after a few weeks.

BREAK IN PERIOD

You can speed up the break-in period by simply spending time in the adjustable bed through doing activities such as reading, watching TV or playing with the kids or grandkids. The extra movement will help the adjustable base respond to weight and temperature changes.

Some of the materials in our adjustable bases such as the woods, metals and plastics used in the platform, frame and components are sensitive to moisture content and temperature and may make sounds in colder environments.

WEAR AND TEAR

Wear and tear is damage that naturally and inevitably occurs as a result of normal use or aging. To order replacement parts, contact Ergomotion's Customer Service.

FABRIC CARE

To prolong the life of your fabric, protect from direct sunlight whenever possible. Keep at a minimum of 12 inches (30 cm) away from direct heat sources.

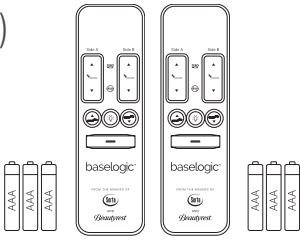

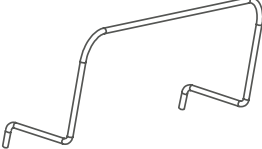
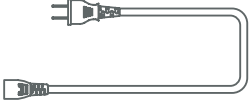
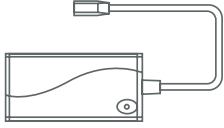

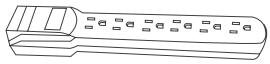
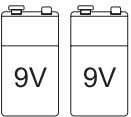
For spot cleaning, wipe area with a light damp sponge or vacuum with a soft brush attachment to remove particles.

For a deeper cleaning, blot liquid spills with a clean dry cloth. Wipe with a clean cloth dampened with warm water. Do not wet excessively or use abrasive or harsh chemicals. A soft bristle brush may be used to remove ingrained soil. Avoid scratching by gentle brushing. Wipe with a clean cloth dampened with warm water to remove residues.

Dry out of direct sunlight and away from direct heat sources. If persistent marks remain visible after cleaning, seek professional advice.

Parts List

Before discarding the packing materials, ensure all the parts are accounted for. All electronics and components are located in bags under the base or attached to the frame with twist ties or orange zip ties.

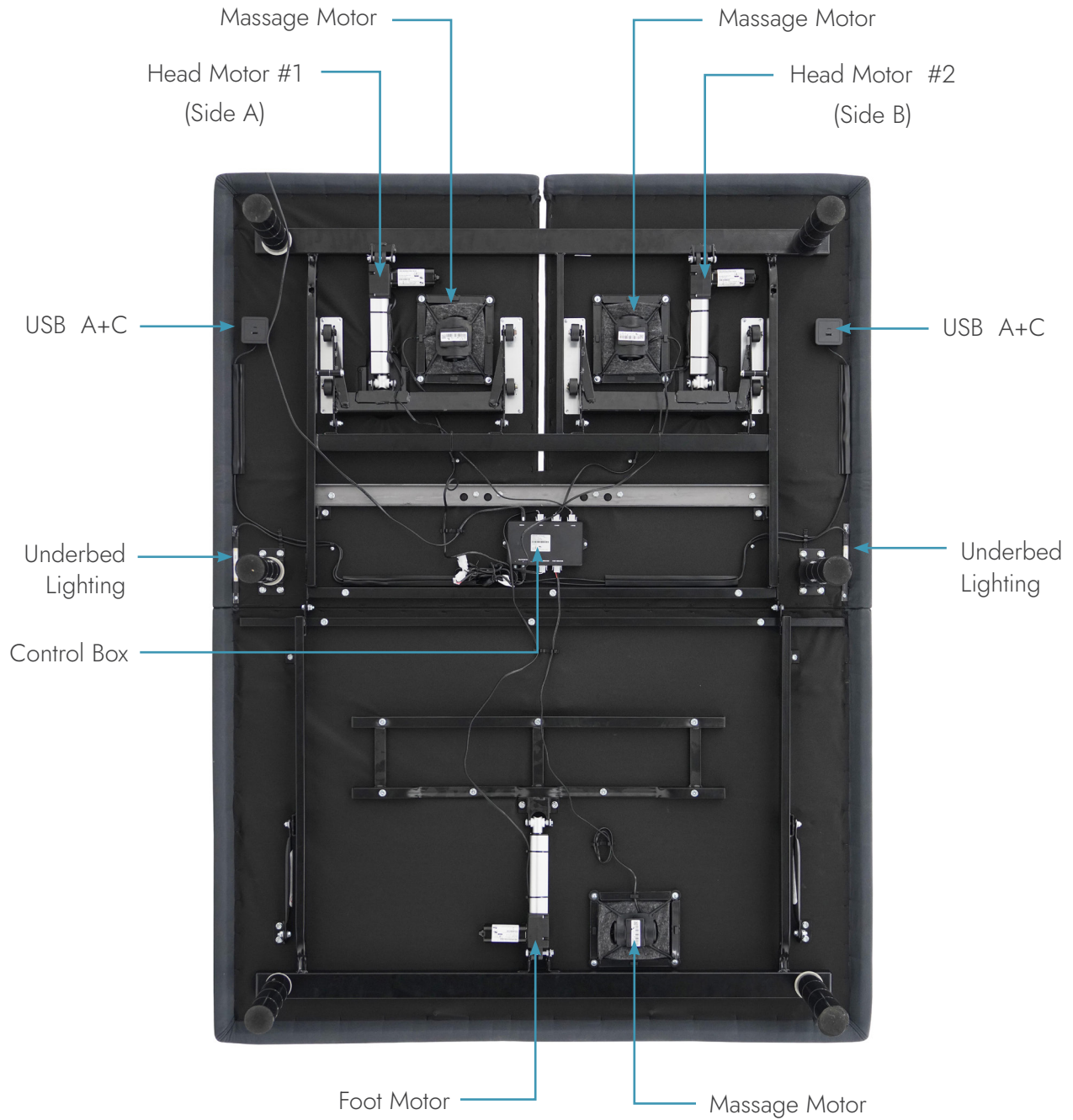
<p>A)</p> 	<p>B)</p>  <p>(x6)</p>	<p>C)</p> 	<p>D)</p> 
<p>E)</p> 	<p>F)</p> 	<p>Misc. Parts (Not Included)</p>	
		<p>G)</p> 	<p>H)</p> 

- A) Wireless Remote Controls (2) and AAA Batteries (6)
- B) 12-inch Stackable Legs (6)
- C) Mattress Retainer Bar
- D) Power Cord
- E) Power Supply
- F) Battery Backup Strap (9 Volt Alkaline batteries not included)

Misc. Parts (Not Included):

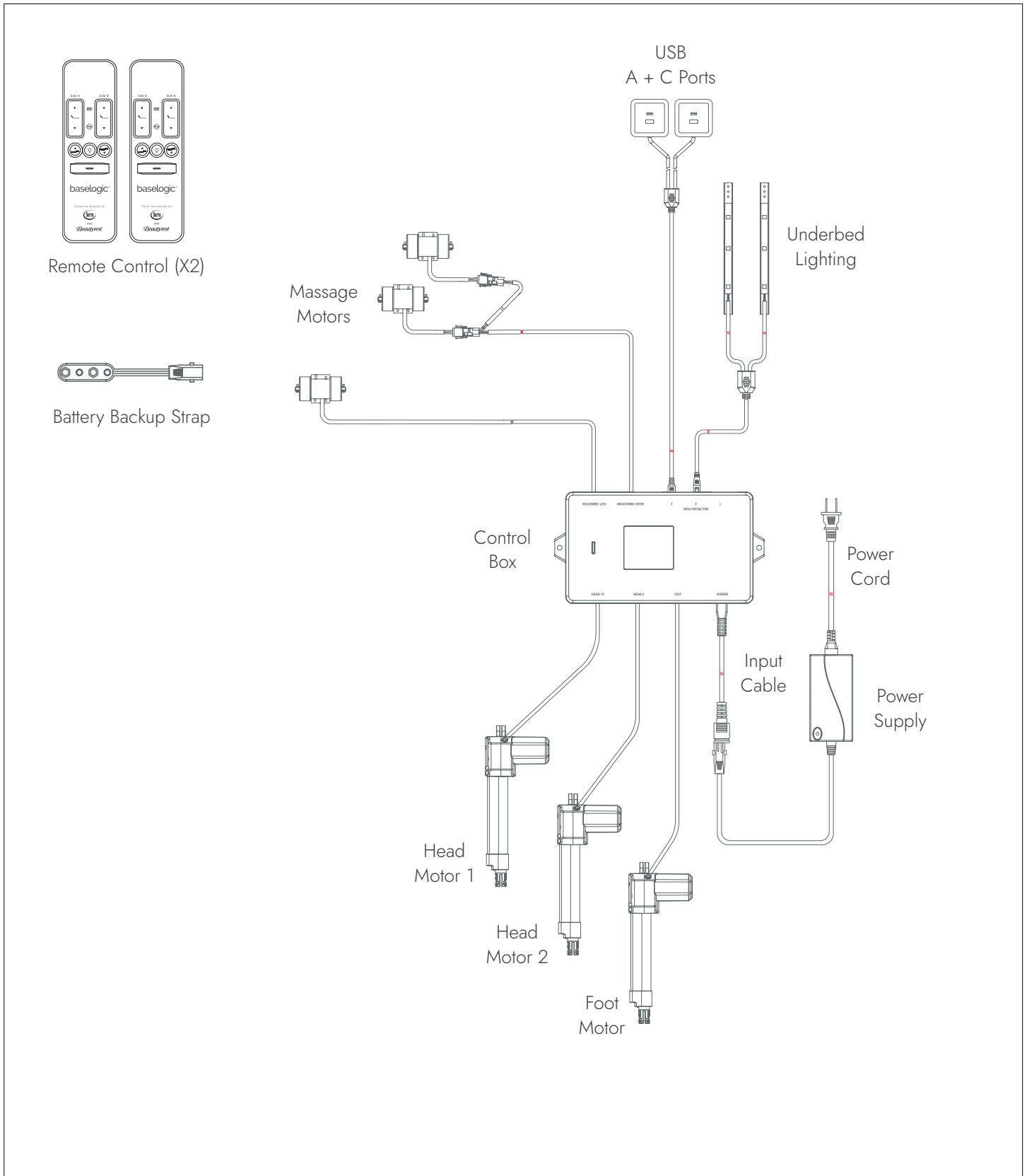
- G) Surge Protector
- H) 9 Volt Alkaline Batteries (2)

Base Overview



Electronic Overview

**Not to scale. For illustration purposes only.
Read all instructions before beginning installation.**



Installation Guide



Always use two (2) people when setting up the base.



Read all instructions before beginning installation.

1 Place the bed base box in a desired location with the bottom of the box facing up. Remove the binding straps and packing materials, making sure not to puncture the box with any sharp objects.

2 Remove the bed base from the box. Unfold the bed making sure to keep the bottom of the bed facing up.

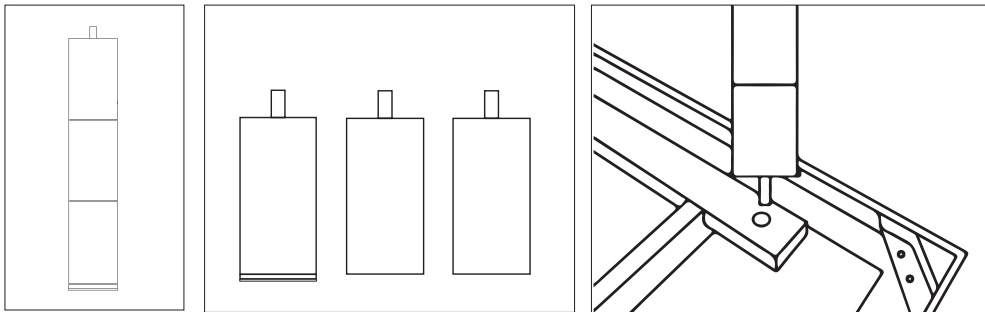
Note: To install Headboard Brackets (sold separately), see instructions on [page 16](#).



3 To install the legs, thread the leg into frame, and tighten by hand.

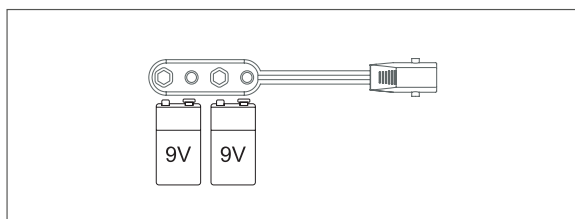
Note: Do not over tighten. Too much force may cause the leg to spin freely.

Note: Legs are shipped fully assembled. Alternative heights can be achieved by removing leg segments.

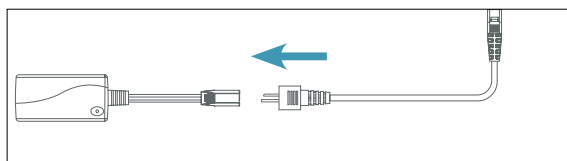


4 Locate the battery backup strap and install (2) 9V Alkaline batteries (not included). Store the strap in a convenient location in case of a power outage.

For operating instructions see [page 18](#).

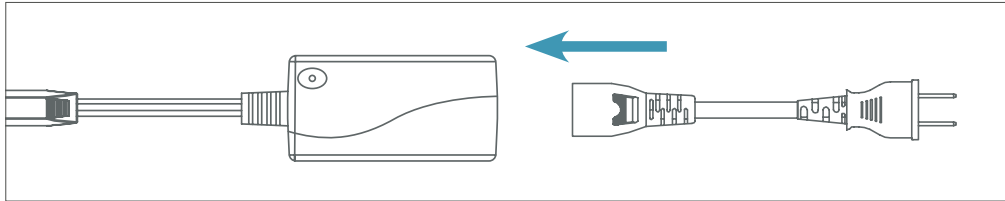


5 Uncoil the input power cord (connected to control box's power port) and plug into the power supply.



Installation Guide (continued)

- 6 Uncoil the power cord and connect to the power supply. Place power supply on the ground and extend from the base. Check the power supply and all attached cords are directed toward the location of the surge protector (recommended) or power outlet.

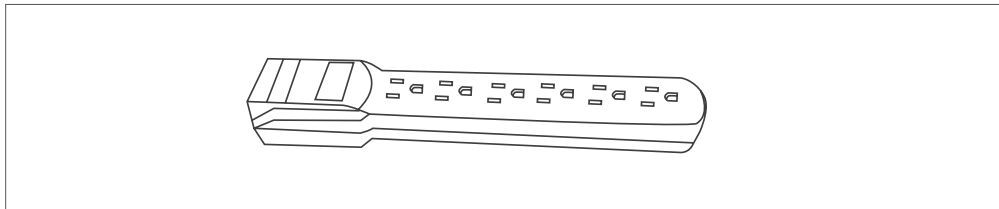


- 7 Carefully rotate the base over on to its legs.

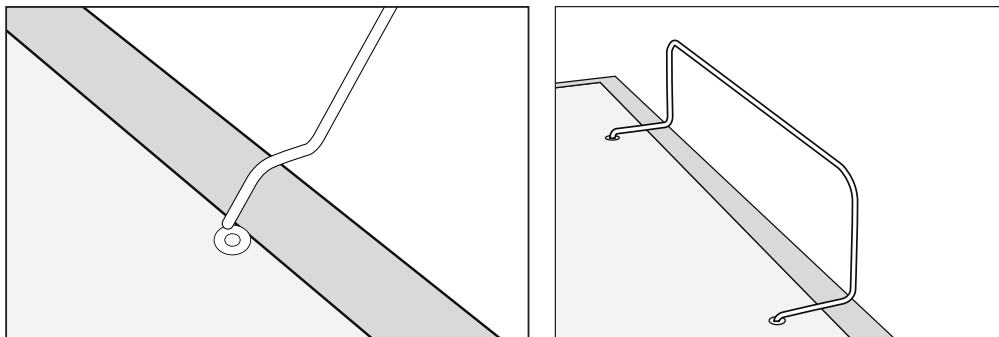
⚠ Two (2) people are required to rotate or to move the bed base. Do not drag across the floor. Do not rest frame on its side, excessive pressure may damage the legs.

- 8 Plug the power cord into a surge protector (not included) or power outlet.

Note: A surge protector is recommended.



- 9 Insert the ends of the mattress retainer bar into the holes at the foot of the platform.

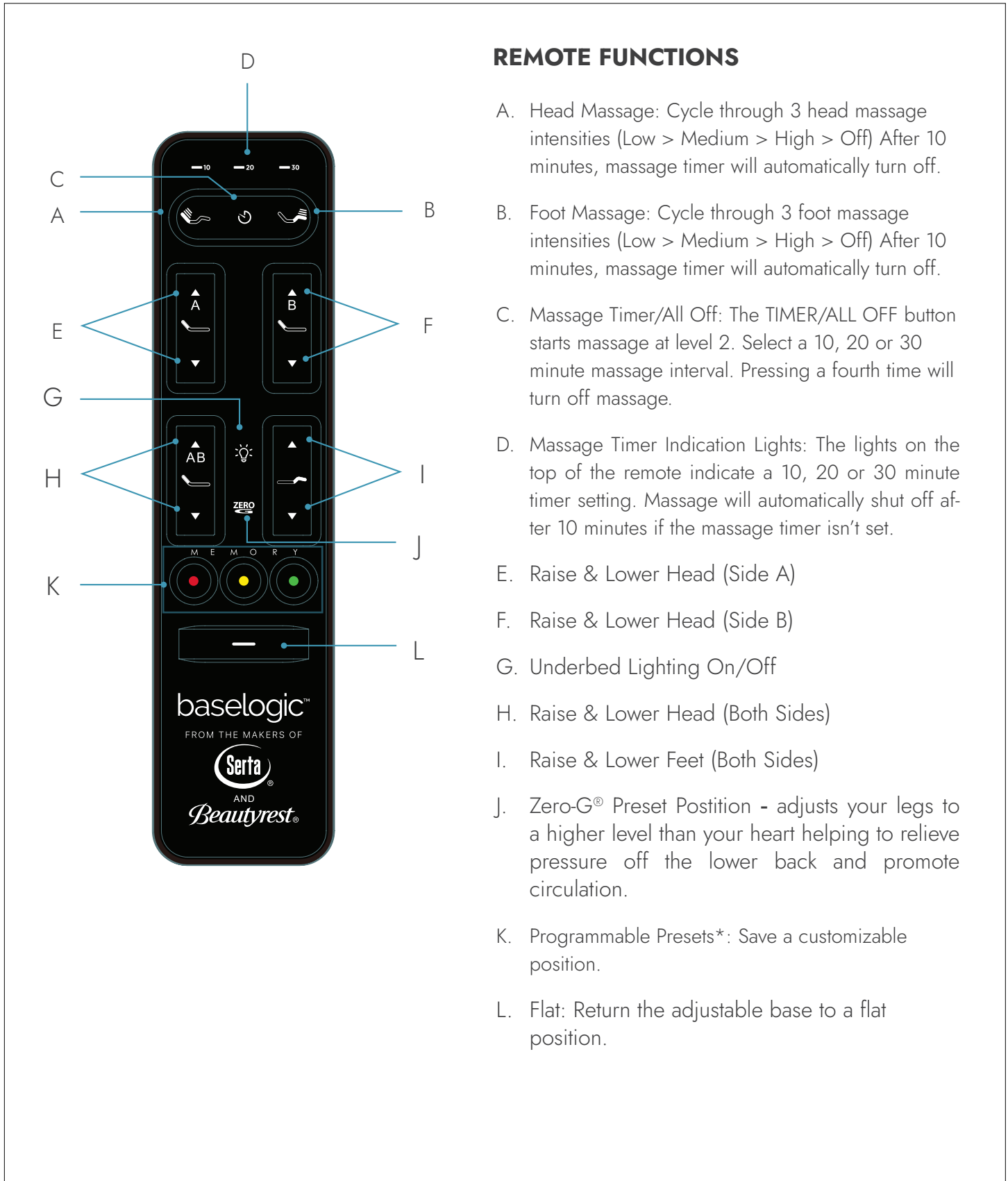


- 10 Ensure batteries are correctly installed in the back of the remote control. Test remote control functions to verify proper setup before placing mattress on base. Return the base to a flat position before placing the mattress on top.

Setup is now complete!

Remote Control

The remote controls arrive paired to the adjustable base. **Three (3) AAA batteries** are required to operate the remote.

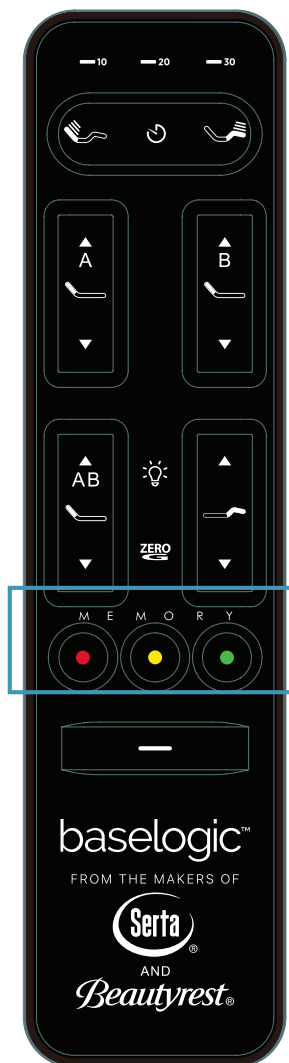


REMOTE FUNCTIONS

- A. Head Massage: Cycle through 3 head massage intensities (Low > Medium > High > Off) After 10 minutes, massage timer will automatically turn off.
- B. Foot Massage: Cycle through 3 foot massage intensities (Low > Medium > High > Off) After 10 minutes, massage timer will automatically turn off.
- C. Massage Timer/All Off: The TIMER/ALL OFF button starts massage at level 2. Select a 10, 20 or 30 minute massage interval. Pressing a fourth time will turn off massage.
- D. Massage Timer Indication Lights: The lights on the top of the remote indicate a 10, 20 or 30 minute timer setting. Massage will automatically shut off after 10 minutes if the massage timer isn't set.
- E. Raise & Lower Head (Side A)
- F. Raise & Lower Head (Side B)
- G. Underbed Lighting On/Off
- H. Raise & Lower Head (Both Sides)
- I. Raise & Lower Feet (Both Sides)
- J. Zero-G® Preset Position - adjusts your legs to a higher level than your heart helping to relieve pressure off the lower back and promote circulation.
- K. Programmable Presets*: Save a customizable position.
- L. Flat: Return the adjustable base to a flat position.

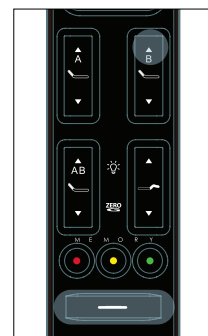
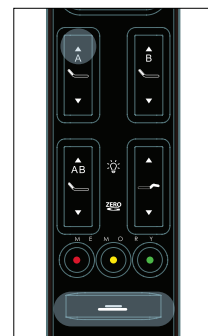
Remote Control Programming & Child Lock

This remote control is programmed with a **Child Safety Lock** function and three programmable presets.



CHILD SAFETY LOCK

- **LOCK:** Press and hold FLAT and RAISE HEAD (Side A) buttons for three (3) seconds. When the backlight on the remote flashes twice, the lock is completed; If any button is pressed while under the lock status, the backlight on the remote will flash twice.
- **UNLOCK:** Press and hold FLAT and RAISE FEET buttons for three (3) seconds. When the backlight on the remote flashes twice, the unlock is completed and the remote will operate normally.



TO PROGRAM THE PRESET POSITIONS:

1. Articulate the head and foot to your desired position.
2. Next, press and hold one of the preset buttons [• • •] for 5 seconds. The position is now saved.

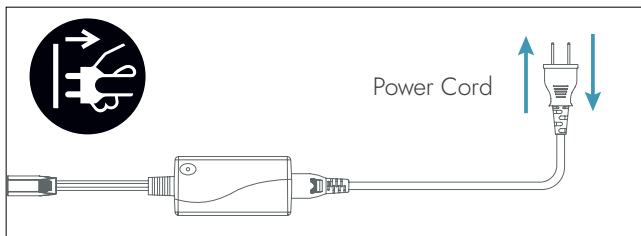
NOTE: To restore the preset buttons back to their original factory settings, hold **FLAT** and **ZERO-G®** simultaneously for at least 5 seconds. The original presets will be restored.

Remote control pairing

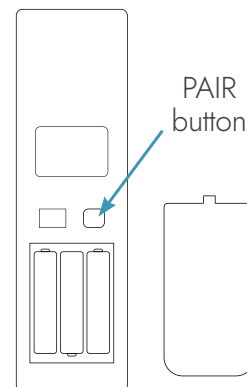
The original remote that comes in the box is already paired to the adjustable base. No further action is required. In the event that the remote is not paired with the base, follow the steps below.



- 1 Unplug the Power Cord from your power outlet. Wait 1 minute, then plug it back in to your power outlet. Perform Step 2 within 10 seconds, while the control box light is flashing.













- 2 Remove the cover on the back of one remote and hold the PAIR button. The PAIR button will illuminate and start to flash. When the PAIR button stops flashing, the pairing LED light on the control box will stop illuminating. Release the PAIR button on the remote. Repeat steps 1 and 2 for the second remote.



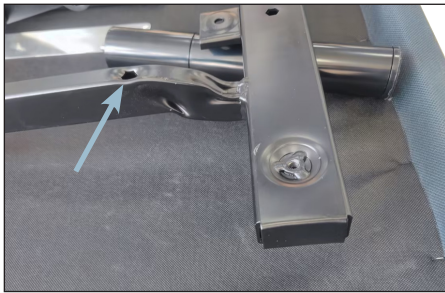
- 3 Test all remote functions. If the remote buttons do not impact the adjustable base movements, please repeat the process again or call Ergomotion's customer service.

Headboard Bracket Installation (not included)

Headboard Brackets are an optional accessory and are not included.
A hex key is included with the accessory kit to complete installation.

K) 	L) 	M) 	<p>K) Left & Right Headboard Bracket L) T Bracket (2) M) Long Bolt (8) N) Medium Bolt (2) O) Short Bolt (4) P) Wing Nut (2) Q) Washer (2) R) Hex Key S) Retainer Plate (2) T) Butterfly Screw (2)</p>	
N) 	O) 	P) 		Q) 
R) 	S) 	T) 		

- 1 Slightly raise the head-end of the frame to access its underside.
- 2 Using butterfly screws, attach the retainer plate to the underside of the frame, ensuring the plate is facing outward toward the edge of the base. Repeat on the other side.

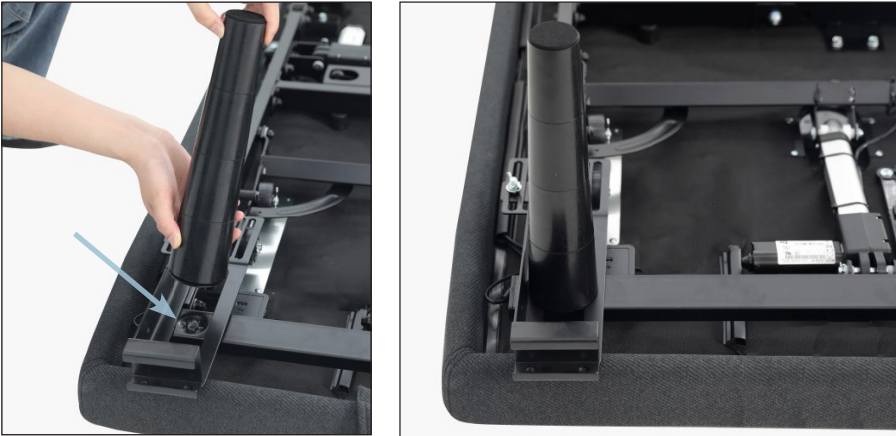


- 3 Locate the left headboard bracket, and install it through the hole of the retainer plate using a medium bolt. Use the washer and wing nut to secure it. Do not over tighten. Repeat on the other side.

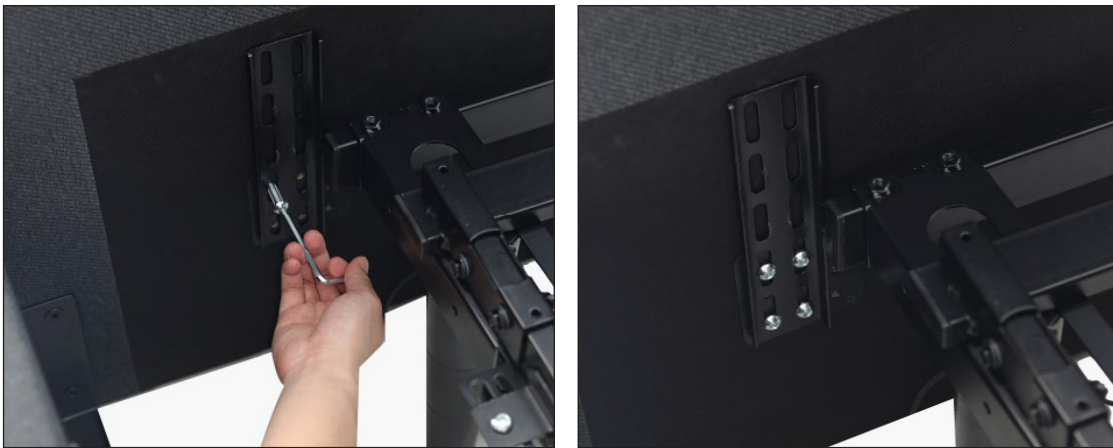


Headboard Bracket Installation (not included)

- 4 Screw the legs into the head section by hand. Do not over tighten.



- 5 Align the holes in the T-Bracket with the mounting holes of the headboard. Connect your headboard to the T-Bracket using the remaining long bolts. The heads of the bolts will face outward. Use hex key to tighten all the bolts.



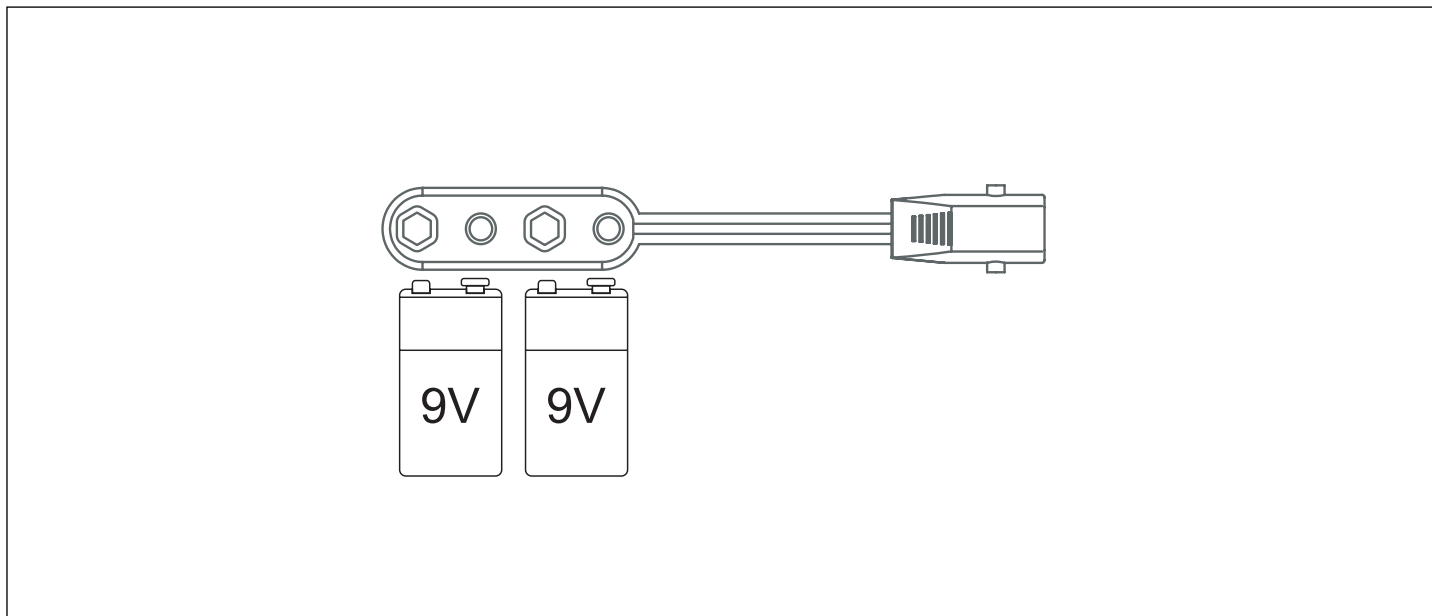
- 6 Secure T-Bracket in place by inserting two short bolts. Use hex key to tighten bolts.



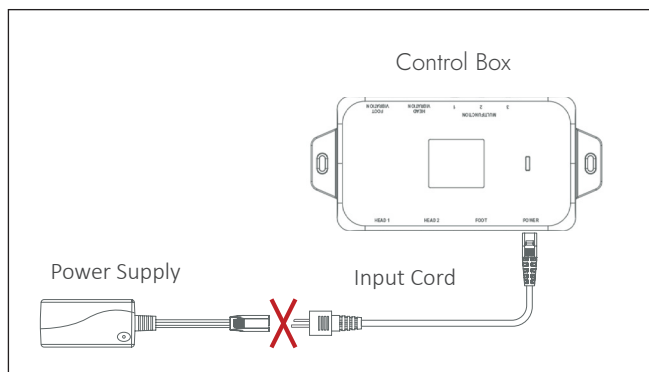
Battery backup strap (optional)

For emergency use only, in case of a power outage.

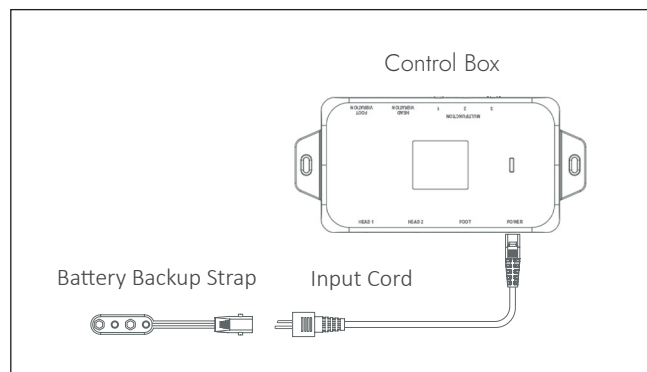
Batteries are not to be used for normal operation of the bed.



- 1 Disconnect the Power Supply from the input power cord.

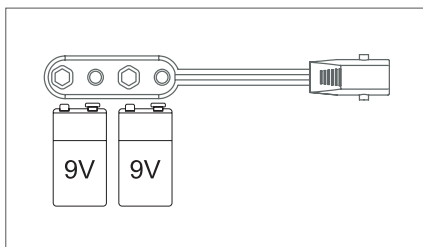


- 3 Connect the Battery Backup Strap to the input power cord.



- 2 Connect the Battery Backup Strap to two (2) 9 Volt Alkaline batteries (not included).

Note: Do not mix brand name batteries.



- 4 Use the remote to return the base to a flat position.

Note: Detach the Battery Backup Strap and reconnect the power supply after the base is in a flat position, as the system will continue to draw power from the batteries even if not in use.

Troubleshooting

If one or more functions on the bed base have stopped operating:

- Ensure the child safety lock feature is not enabled (see [page 14](#)).
- Check under the bed base to verify that the wired connections are secure and that there are no cords or bedding obstructing the movement of the base.
- Check to ensure the green LED light is illuminated on the control box. If there is no light, verify that the input and power cords are properly connected.
- Unplug the base for 1 minute to reset the electronic components.
- Plug bed base into a different electrical outlet, or test current outlet with another working appliance (a grounded, electrical surge protector is recommended).
- Remove and replace full batteries in the remote control and re-pair the remote to the base (see [page 15](#)).

If the issue is not resolved by following the instructions above, locate serial number on warranty card or back of remote and call Ergomotion's customer service.

20 Year Warranty

Register online: <https://warranty.ergomotion.com/warranty>

Please prepare a digital copy of your proof of purchase (invoice or sales receipt) when registering online.

2-Year Hassle Free Warranty

Your adjustable base is warranted by the manufacturer against defects in materials or workmanship for a period of two years from the date of delivery to the original Purchaser. During such time, the manufacturer will repair or replace, at no cost to the original Purchaser, any warranted part(s)* found to be defective by the manufacturer, in its sole discretion. This includes all pre-authorized labor and transportation costs incurred with the repair or replacement of any part found to be defective.

5-Year Warranty on Parts

During year 3 through 5 from the original delivery date, the manufacturer will replace any part on the adjustable base found to be defective by the manufacturer, to the original Purchaser. The manufacturer's liability is limited to the replacement of the defective electrical/mechanical part(s)* ONLY, with the Purchaser responsible for all service, installation, and transportation cost of said part(s).

20-Year Limited Warranty

Notwithstanding the above, the manufacturer extends a 20-year warranty on mechanical base parts found to be defective on a limited basis as defined herein. Specifically, the manufacturer warrants that for a full 20 years from the commencement date of this warranty, any defect in the workmanship or the materials used shall be covered. For purposes of this 20-year warranty, it specifically excludes the cover, shroud, platform, legs, actuator lift motors, massage motors, control box, remote controls, power supply, and all power supply cords. The purchaser shall pay 1/5 of the current MSRP of the replacement part, or the entire adjustable base if deemed irreparable at the sole discretion of the manufacturer, multiplied by the number of years after the fifth year from the original delivery date. The manufacturer's liability shall be limited to the replacement of the defective part(s) ONLY with the purchaser responsible for all service, installation and freight costs for said part.

Additional Terms & Conditions

This warranty does not include reimbursement/replacement for inconvenience, removal, part(s) installation, bed set up, loss of use, normal wear and tear, shipping or any other costs or expenses not expressly covered in this warranty. In addition, this warranty shall be void in the following circumstances:

- A. Damage resulting from misuse or abuse caused by the Purchaser or any third party.
- B. Damage caused by repairs or parts replacement by an unauthorized person.
- C. Damage caused if the adjustable base has been mishandled (including during shipping), subject to physical abuse or an improper power supply, or by failing to adhere to the Owner's Manual and this warranty.
- D. Damaged mattresses, foundation cover(s), fabric(s), bedding cables, electrical cords or accessories supplied by dealers or any third party. Contact your dealer for warranty information on these items.
- E. Modification of the adjustable base without prior written consent by the manufacturer.
- F. Costs for unauthorized service calls for the purpose of educating the consumer about the adjustable base or locating proper functioning power outlets.
- G. Damage if the recommended weight restrictions are exceeded.
- H. Damage if used in any environment or a commercial setting which was not intended.
- I. This warranty requires notice to be given to Ergomotion of any claim for repairs or replacement parts.
- J. Damage to foam shroud by improper handling or misuse.

*Parts include the following:

- a. Head/Foot Actuator

20 Year Warranty

- b. Massage Motors and Housing
- c. Control Box
- d. Remote Control
- e. Power Cord, Power Supply, and Input Cord
- f. Mounting Brackets
- g. Support Struts

OTHER THAN AS EXPRESSLY SET OUT HEREIN, AND TO THE EXTENT PERMITTED BY APPLICABLE LAW, THIS WARRANTY IS EXCLUSIVE AND IN LIEU OF ALL OTHER ORAL OR WRITTEN WARRANTIES, REPRESENTATIONS, CONDITIONS OR PROMISES, WHETHER EXPRESS OR IMPLIED, AND WHETHER ARISING BY LAW, STATUTE, COURSE OF DEALING OR USAGE OF TRADE, INCLUDING, BUT NOT LIMITED TO, IMPLIED WARRANTIES AND CONDITIONS OF MERCHANTABILITY, QUALITY, DURABILITY AND/OR FITNESS FOR A PARTICULAR PURPOSE. TO THE EXTENT PERMITTED BY APPLICABLE LAWS, ANY IMPLIED WARRANTIES (IF APPLICABLE) ARE LIMITED IN DURATION TO THE DURATION OF THIS WARRANTY. TO THE EXTENT PERMITTED BY APPLICABLE LAW, IN NO EVENT SHALL THE MANUFACTURER BE LIABLE FOR ANY SPECIAL, INCIDENTAL, PUNITIVE, EXEMPLARY, CONSEQUENTIAL, LIQUIDATED OR SIMILAR DAMAGES, WHETHER OR NOT FORESEEABLE.

Note: The exclusion directly above is inapplicable to consumers residing in Québec, Canada.

To the extent permitted by law, this warranty is not transferable and will automatically terminate if the original Purchaser sells or otherwise disposes of the adjustable base.

This warranty gives the Purchaser specific legal rights. Other rights, which vary from jurisdiction to jurisdiction, may exist. In addition, some jurisdictions do not allow (i) the exclusion of certain warranties, (ii) limitations on how long an implied warranty lasts and/or (iii) the exclusion or limitation of certain types of costs and/or damages, so the above limitations may not apply.

This warranty is only valid in The United States, Canada and Puerto Rico. For all other jurisdictions, this Limited Product Warranty is valid only in the jurisdictions where the Products are sold by an Ergomotion authorized reseller or agent and is valid to the extent permitted by the applicable laws of such jurisdictions.

Weight Limits

This product is not rated to support weights in excess of 750 pounds (340 kg) inclusive of the mattress and bedding. The base will structurally support this weight, provided it is evenly distributed across the bed base. The adjustable base is not designed to support or lift this amount in the head or foot sections alone. Exceeding this weight restriction could damage the bed and/or cause injury and will void the warranty.

NOTICE TO QUEBEC CONSUMERS

For Québec consumers only- Notice on the warranty of availability of spare parts, repair services and information necessary for repair or maintenance (s. 39 of the Consumer Protection Act)

Please be advised that Serta Simmons Bedding, LLC (“Serta Simmons”), as well as its affiliates, subsidiaries, parent companies, insurers, successors and assigns, does not guarantee, within the meaning of section 39 of the Consumer Protection Act, CQLR, c. P-40.1 and sections 79.18 to 79.20 of the Regulation respecting the application of the Consumer Protection Act, CQLR, c P-40.1, r. 3, the availability of replacement parts, repair services, or the information necessary for the maintenance or repair of goods manufactured, imported, advertised, or sold by Serta Simmons or its subsidiaries.

Please note that, as applicable depending on the product type and brand, we continue to offer repair service, product exchange, and/or replacement parts through our Customer Service and Warranty Claim Services, subject to the terms of our manufacturer's limited warranty. For more information, please visit our various brand websites under “Warranty” or call Serta: 1-888-875-5999 or Beautyrest: 1-888-507-8772.

Informations de sécurité importantes



Lisez, comprenez et suivez toujours les avertissements et les instructions de ce manuel avant d'utiliser votre sommier réglable.

⚠ AVERTISSEMENT

Pour éviter un choc électrique, des blessures graves ou la mort :

- **RISQUE DE PIÉGEAGE.** Ce lit peut écraser et tuer lorsqu'il bouge ! Voir la section Enfants et animaux pour plus d'informations.
- Il est recommandé de brancher le cordon d'alimentation du sommier réglable sur un parasurtenseur (non inclus). La base ne doit être branché que directement sur un parasurtenseur (recommandé) ou sur une prise électrique.
- Débranchez toujours la base du parasurtenseur ou de la prise électrique avant de réparer une partie du sommier réglable. Pour réduire le risque de choc électrique, débranchez la base avant de la nettoyer. Pour déconnecter en toute sécurité, assurez-vous que la base est dans une position plate avec tous les moteurs éteints et débranchez-la de la source d'alimentation. Gardez le cordon d'alimentation éloigné des surfaces chauffées.
- Cessez d'utiliser la base et contactez un centre de service qualifié si son cordon ou sa fiche est endommagé, s'il ne fonctionne pas correctement ou s'il a été exposé à l'eau.
- Utilisez ce sommier uniquement pour l'usage auquel il est destiné, comme décrit dans ce manuel.
- N'utilisez pas d'accessoires/accessoires non recommandés par le fabricant. Une surveillance étroite est requise lorsque le sommier est utilisé par ou à proximité d'enfants, de convalescents, de personnes handicapées ou d'animaux domestiques.
- Une mauvaise connexion de l'équipement peut entraîner un risque de choc électrique, d'incendie électrique ou un mauvais fonctionnement de ce sommier. Si la fiche ne correspond pas à votre prise électrique, contactez un électricien qualifié pour installer une prise adaptée.
- Une modification non autorisée ou le défaut d'utilisation d'une prise électrique ou d'un parasurtenseur pourrait annuler la partie électrique de votre garantie.



ENFANTS ET ANIMAUX DE COMPAGNIE

⚠ AVERTISSEMENT

RISQUES DE PIÉGEEMENT et D'ÉCRASEMENT. Les pièces mobiles peuvent écraser et tuer !

Pour éviter des **BLESSURES GRAVES** ou **LA MORT** :

- Assurez-vous qu'aucun enfant ou animal ne se trouve à proximité ou sous le lit avant de l'abaisser.
- Abaissez toujours en position plate (horizontale) et engagez le verrouillage de sécurité pour enfants avant de quitter la pièce.
- Conserver la télécommande hors de portée des enfants.



⚠ Jetez immédiatement tous les matériaux d'emballage et tous les sacs en plastique car ils peuvent présenter un risque d'étouffement aux enfants et aux animaux.

STIMULATEURS CARDIAQUES

Il est **FORTEMENT** recommandé aux personnes portant un stimulateur cardiaque ou autre dispositif médical implanté de consulter leur médecin avant d'utiliser des produits contenant des aimants en néodyme.

Certains produits contiennent des aimants en néodyme qui peuvent interférer avec les appareils médicaux tels que les stimulateurs cardiaques, les défibrillateurs automatiques implantables et tout autre appareil sensible aux champs magnétiques.

Il est également possible que certains stimulateurs cardiaques interprètent à tort les vibrations de la fonction de massage optionnelle comme un mouvement/exercice. C'est un phénomène courant avec tout produit qui crée un mouvement vibrant et peut affecter le stimulateur cardiaque. Veuillez consulter votre médecin avant d'utiliser la fonction de massage.



CE QU'IL FAUT FAIRE ET CE QU'IL NE FAUT PAS FAIRE FAIRE :

- Branchez votre base réglable dans un parasurtenseur.

- Appelez le service client d'Ergomotion pour tout problème technique. N'essayez pas de forcer la base vers le bas, cela pourrait endommager les moteurs ou le cadre.
- Gardez à l'esprit qu'il est recommandé d'utiliser des sommiers réglables avec des matelas ajustables.
- Abaissez-le en position plate (horizontale) après utilisation et entre les pré-réglages.
- Répartissez uniformément le poids lorsque vous dormez dans une configuration divisée. Une répartition inégale du poids peut entraîner un soulèvement inégal de la base.
- Enregistrez votre garantie dès la livraison de votre base réglable.
- Utilisez du savon doux et de l'eau pour nettoyer votre base réglable en cas de taches.
- Entrez ou sortez de votre réglable en position plate (horizontale).

NE LE FAITES PAS :

- Asseyez-vous sur les coins/bords de la base, cela pourrait déformer le cadre, les entretoises ou la mousse.
- Inclinez la base sur le côté. Cela pourrait endommager les pieds et/ou les vis des pieds.
- Tenez-vous debout ou sautez sur la base réglable à tout moment, cela peut endommager le cadre et les moteurs.
- Faites glisser la base pour la déplacer. Faire glisser la base pourrait endommager le cadre, dépouiller les écrous/boulons ou casser les pieds. Achetez des roulettes si vous prévoyez de déplacer votre base régulièrement.
- Entrez et sortez de la base réglable avec la tête et/ou le pied en position articulée.
- Bricoler ou modifier la base. Cela annulera la garantie.
- Appuyer sur les sections de tête ou de pied pendant l'actionnement peut endommager le cadre et les moteurs.

FONCTIONS DE SÉCURITÉ :

Fonctionnement manuel – Si quelque chose reste coincé dans la plate-forme lorsqu'elle est aplatie, vous pouvez relever manuellement la plate-forme en soulevant la tête ou la section des pieds pour relâcher la pression et permettre la libération. Les moteurs sont conçus pour abaisser le matelas en se rétractant uniquement par gravité, sans jamais tirer vers le bas, ce qui minimise les points de pincement.

Verrouillage pour enfants – Cette télécommande est programmée avec une fonction de verrouillage de sécurité enfant. Des informations sur le verrouillage et le déverrouillage du verrouillage de sécurité pour enfants de cette fonction peuvent être trouvées dans la section Programmation de la télécommande et verrouillage de sécurité pour enfants de ce manuel.

Arrêt d'urgence – Arrêtez le mouvement de la plate-forme en appuyant sur n'importe quel bouton de la télécommande.

Panne de courant – Utilisez la sangle de batterie de secours comme source d'alimentation temporaire pour amener le sommier réglable à la position souhaitée. Veuillez consulter la section Sangle de batterie de secours pour plus d'informations.

Roulettes (accessoire de pied en option) – sont équipés de roues verrouillables pour empêcher tout mouvement indésirable. Même verrouillées, les roulettes peuvent glisser.

UTILISATION À DOMICILE ET NORMES HOSPITALIÈRES

Les sommiers réglables Ergomotion sont conçus uniquement pour un usage domestique. Ce sommier réglable n'a pas été conçu comme un lit d'hôpital et n'est pas conçu pour répondre aux normes hospitalières.



N'utilisez pas cette base avec un équipement d'oxygénothérapie TENT TYPE ou à proximité de gaz explosifs.

CONFORMITÉ FCC

REMARQUE : Cet équipement a été testé et déterminé comme se conformant aux limites des appareils numériques de Classe B, conformément à la partie 15 des règles de la FCC. Ces limites sont conçues pour fournir une protection raisonnable contre les interférences nuisibles dans un milieu résidentiel. Cet équipement génère, utilise et peut émettre de l'énergie par radiofréquence et, s'il n'est pas installé et utilisé conformément aux instructions, peut provoquer des interférences nuisibles aux communications radio. Toutefois, il n'existe aucune garantie que des interférences ne se produiront pas dans un contexte particulier. Si cet équipement provoque des interférences nuisibles à la réception radio ou de télévision, ce qui peut être déterminé en allumant et en éteignant l'équipement, l'utilisateur est encouragé à essayer de corriger les interférences en utilisant une ou plusieurs des méthodes suivantes

- Réorienter ou déplacer l'antenne de réception.
- Augmenter la distance entre l'équipement et le récepteur.
- Brancher l'équipement sur une prise relevant d'un circuit différent de celui sur lequel le récepteur est connecté.
- Contacter le revendeur ou un technicien radio/télé expérimenté pour obtenir de l'aide.

CONSERVEZ CES INSTRUCTIONS POUR RÉFÉRENCE FUTURE.

Apprendre à connaître votre base réglable

LIMITES DE POIDS DE BASE RÉGLABLES

Ce produit n'est pas conçu pour supporter des poids dépassant un total de 750 lb. (340 kg), incluant le matelas et la literie.

 **Le dépassement de cette limite de poids peut endommager la base réglable, provoquer des blessures graves et annuler la garantie.**

La base peut structurellement supporter cette limite de poids, à condition que le poids soit réparti uniformément sur la base réglable. La base réglable n'est pas conçue pour soutenir ou soulever ce montant uniquement en utilisant les sections de tête ou de pied.

MÉCANISMES DE LEVAGE/ABAISSÉMENT

La fonction de levage/descente émettra un bourdonnement minimal pendant le fonctionnement. C'est normal. La tension, la pression ou le mouvement appliqué au cadre, à la plate-forme ou au carénage lors d'une utilisation générale peut créer des sons audibles.

Pendant le fonctionnement, les roues du bras de levage entrent en contact avec le support de plate-forme de la base. Ce contact peut entraîner un contact métal sur métal ou métal sur plastique. Cela applique une légère tension sur les composants mobiles et la résonance est réduite à un niveau minimum. Si un bruit ou des vibrations excessifs sont ressentis, inversez le mouvement (vers le haut ou vers le bas) de la base avec la télécommande. Cela devrait réaligner les mécanismes d'activation de la base sur la position opérationnelle appropriée.

En fonctionnement normal de la base, les roues qui permettent au lit de maintenir sa distance du mur entreront en contact avec les supports de la plate-forme en acier de la base, créant un bruit de contact. Lors de l'entrée, de la sortie ou du déplacement du poids sur la base, ce bruit de contact peut être audible lorsque les roues entrent en contact. C'est normal.

FONCTIONNEMENT PAIRE

Lors de l'utilisation de lits réglables synchronisés, il peut y avoir un intervalle allant jusqu'à 1,5 seconde entre les mouvements de chaque lit.

MOTEURS

Les moteurs de levage ne sont pas conçus pour fonctionner en continu pendant plus de deux (2) minutes sur une période de dix-huit (18) minutes ou un cycle de service d'environ 10 %. Tenter de contourner ou de dépasser cette valeur réduira la durée de vie du produit et pourrait annuler la garantie.

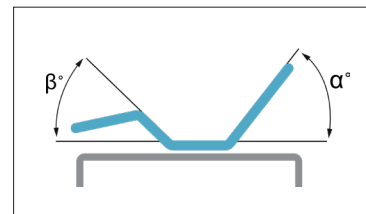
Les moteurs de massage (le cas échéant) ne sont pas conçus pour fonctionner en continu pendant plus de trente (30) minutes à la fois. Veuillez laisser le système de massage reposer pendant trente (30) minutes après l'arrêt automatique du massage avant de redémarrer.

TOLÉRANCE

Toutes les fondations réglables Ergomotion, selon la marque et le modèle, sont conçues et fabriquées pour fonctionner selon les paramètres de contrôle de qualité désignés. Les bases sont soumises à des inspections méticuleuses et rigoureuses au cours du processus de contrôle qualité pour garantir que les bases fonctionneront conformément à ces normes lors d'une utilisation normale.

L'utilisation normale est définie comme suit : La fondation réglable doit être utilisée avec un matelas et une charge. Les procédures de test nécessitent des tests de cycle de vie avec jusqu'à 265 lb. (120 kg) charge répartie. L'angle (désigné « α » sur la figure 1) entre la section arrière et la section plate pour diverses configurations de la plate-forme de support de matelas doit être de $\pm 3^\circ$, ce qui se traduit par une tolérance allant jusqu'à 1 1/2".

L'angle (désigné « β » sur la figure 1) entre la section plate et la section pieds pour diverses configurations de la plate-forme de support de matelas doit être de $\pm 3^\circ$, ce qui se traduit par une tolérance allant jusqu'à 3/4". Toute fondation ajustable jugée conforme à ces tolérances allouées est considérée comme ayant satisfait aux normes de contrôle de qualité du fabricant.



MATÉRIAUX DE CONSTRUCTION

Les bases réglables Ergomotion sont fabriquées à partir de divers matériaux, notamment du bois, des métaux, des plastiques et des tissus.

Apprendre à connaître votre base réglable

CETTE ODEUR DE « NOUVEAU PRODUIT »

Certaines personnes peuvent remarquer une légère odeur lorsqu'elles reçoivent leur nouvelle base réglable.

Cette odeur est normale et se dissipe généralement avant que le produit ne vous soit livré. Parfois, cette odeur peut encore être perceptible et devrait se dissiper au bout de quelques semaines.

PÉRIODE DE RODAGE

Vous pouvez accélérer la période de rodage en passant simplement du temps dans le lit réglable en faisant des activités telles que lire, regarder la télévision ou jouer avec les enfants ou petits-enfants. Le mouvement supplémentaire aidera la base réglable à réagir aux changements de poids et de température. Certains des matériaux de nos bases réglables, tels que le bois, les métaux et les plastiques utilisés dans la plate-forme, le cadre et les composants, sont sensibles à la teneur en humidité et à la température et peuvent émettre des bruits dans des environnements plus froids.

USURE NORMALE

L'usure est un dommage qui survient naturellement et inévitablement à la suite d'une utilisation normale ou du vieillissement. Pour commander des pièces de rechange, contactez le service client d'Ergomotion.

ENTRETIEN DES TISSUS

Pour prolonger la durée de vie de votre tissu, protégez-le autant que possible des rayons directs du soleil. Tenir à au moins 30 cm (12 pouces) des sources de chaleur directes.

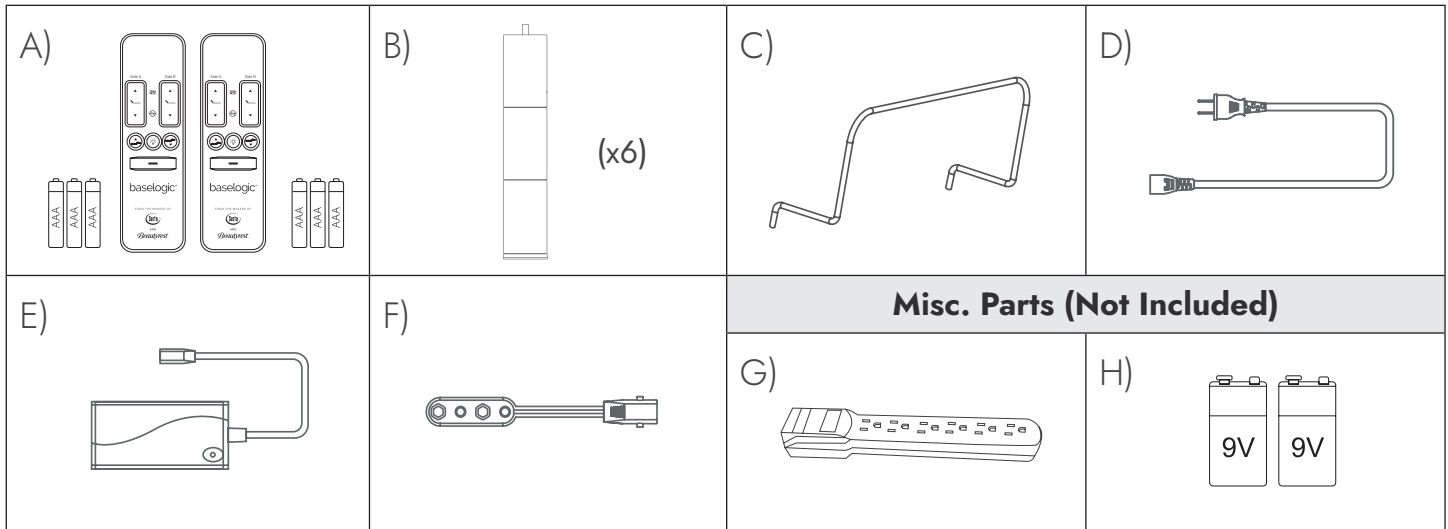
Pour le nettoyage des taches, essuyez la zone avec une éponge légèrement humide ou passez l'aspirateur avec une brosse douce pour éliminer les particules.

Pour un nettoyage en profondeur, épongez les déversements de liquide avec un chiffon propre et sec. Essuyer avec un chiffon propre imbibé d'eau tiède. Ne mouillez pas excessivement et n'utilisez pas de produits chimiques abrasifs ou agressifs. Une brosse à poils doux peut être utilisée pour enlever la saleté incrustée. Évitez de gratter par un brossage doux. Essuyer avec un chiffon propre imbibé d'eau tiède pour éliminer les résidus.

Sécher à l'abri de la lumière directe du soleil et des sources de chaleur directes. Si des marques persistantes restent visibles après le nettoyage, demandez conseil à un professionnel.

Liste des pièces

Avant de jeter les matériaux d'emballage, assurez-vous d'avoir toutes les pièces en main. Tous L'électronique et les composants sont situés dans des sacs sous la base ou fixés au cadre avec des attaches zippées orange ou des attaches zippées.

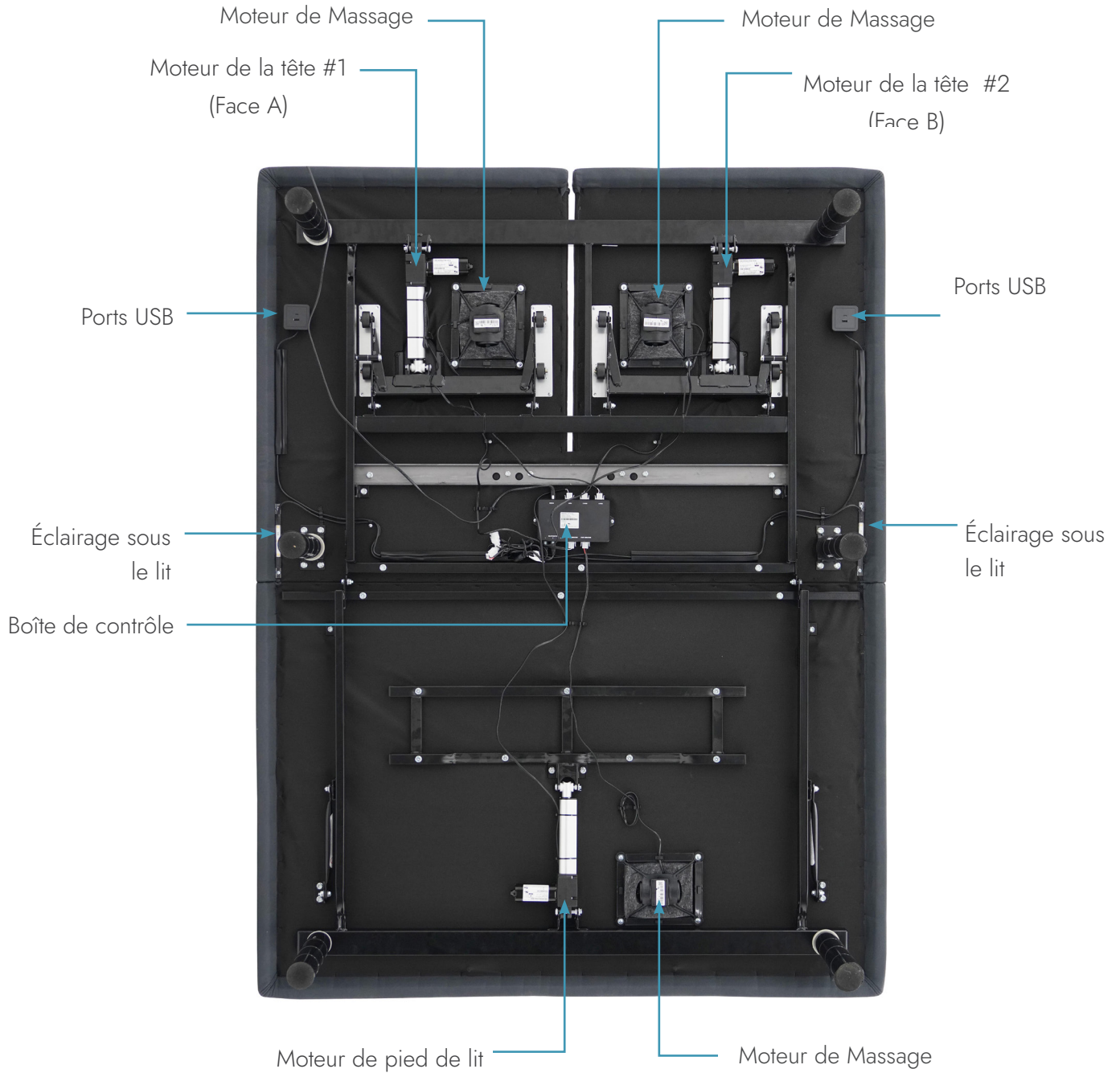


- A. Télécommande sans fil (2) et piles AAA (3)
- B. Pattes (6)
- C. Barre de retenue du matelas
- D. Cordon d'alimentation
- E. Bloc d'alimentation
- F. Sangle pour piles de secours (Piles alcalines 9V non incluses)

Article divers (non inclus) :

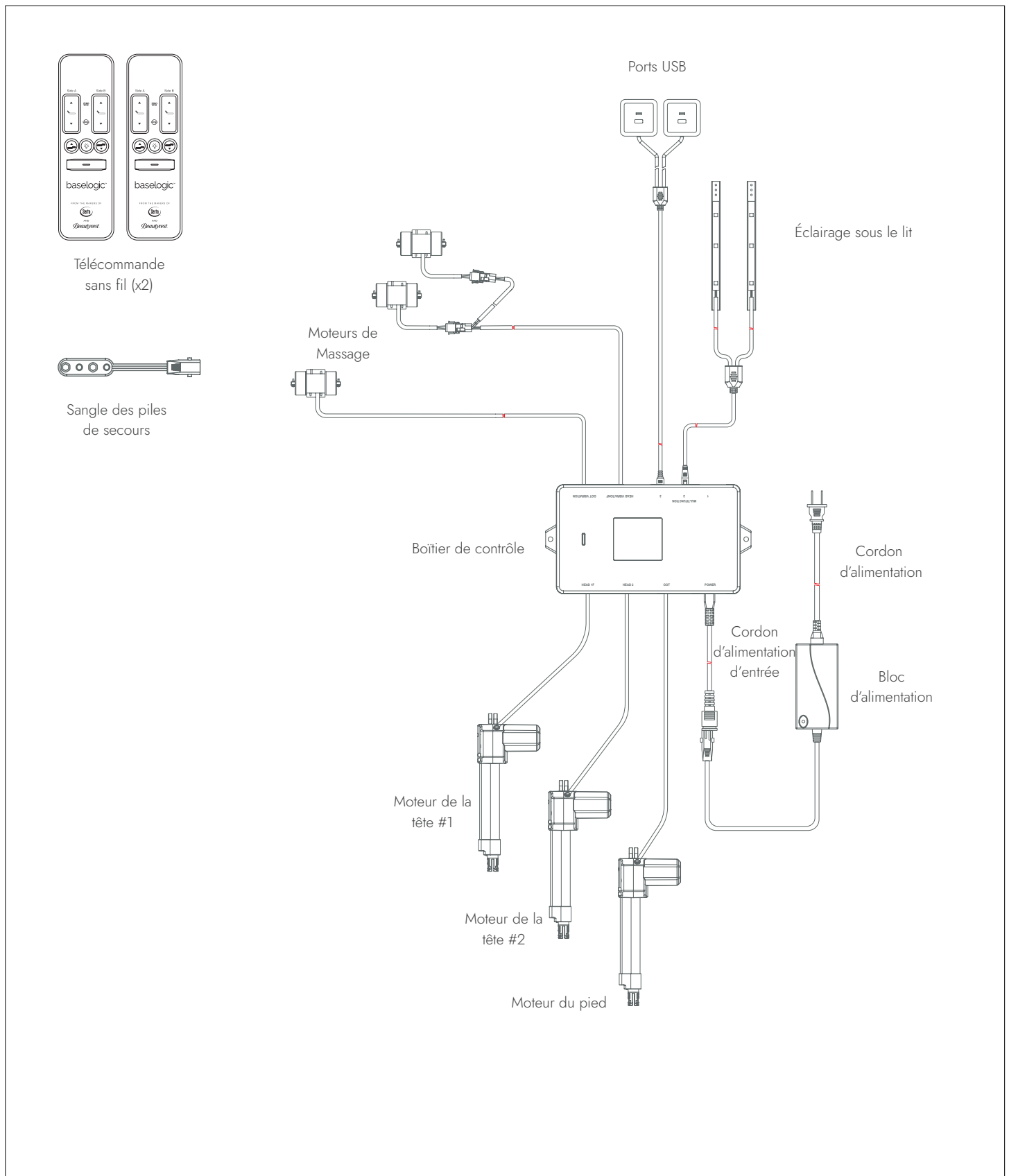
- G. Parasurtenseur
- H. (2) Piles alcalines 9V

Aperçu de la base



Aperçu de l'électronique

Les illustrations des pièces ne sont pas à l'échelle et sont fournies à des fins d'illustration uniquement. Lisez toutes les directives avant de commencer l'installation.



Guide d'installation



Utilisez toujours deux (2) personnes lors de l'installation de la base.



Lisez toutes les instructions avant de commencer l'installation.

1 Placez le coffre du sommier à l'endroit souhaité avec le bas du coffre vers le haut. Retirez les sangles de fixation et les matériaux d'emballage, en veillant à ne pas percer la boîte avec des objets pointus.

2 Retirez le sommier de la boîte. Dépliez le lit en veillant à garder le bas du lit vers le haut.

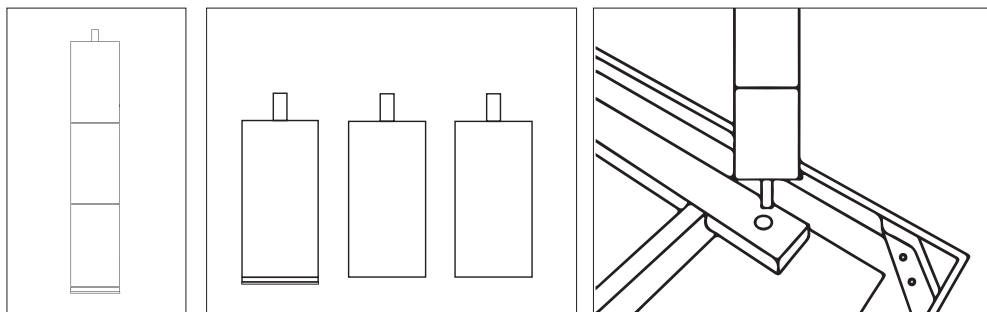
Note: Pour l'installation des fixations de tête de lit (vendues séparément), voir les directives à la [page 34](#).



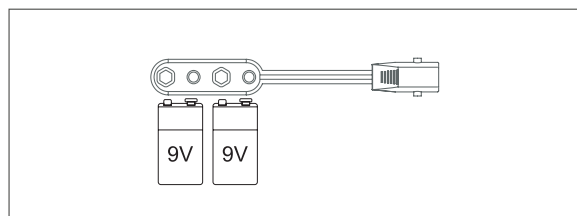
3 Pour installer les pieds, enflez les pieds dans le cadre et serrez à la main.

Note: Ne serrez pas trop. Trop de force peut faire tourner la jambe librement.

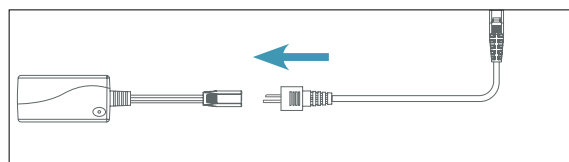
Note: Les pieds sont expédiés entièrement assemblés. Des hauteurs alternatives peuvent être obtenues en supprimant les segments de pieds.



4 Localisez la sangle de secours de la batterie et installez (2) piles alcalines 9 V (non incluses). Rangez la sangle dans un endroit pratique en cas de panne de courant. *Pour les instructions d'utilisation, voir [page 36](#).*

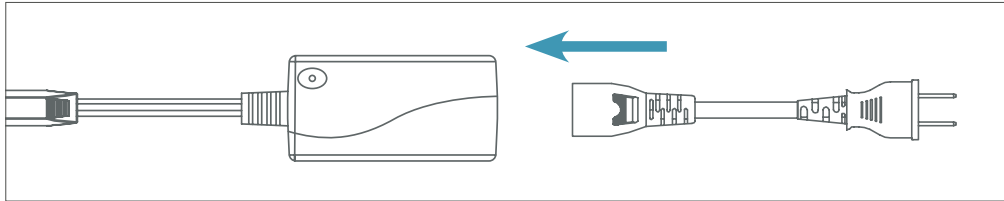


5 Déroulez le cordon d'alimentation d'entrée (connecté au port d'alimentation du boîtier de contrôle) et branchez-le dans le bloc d'alimentation.



Guide d'installation (suite)

- 6 Déroulez le cordon d'alimentation et connectez-le à l'alimentation électrique. Placez l'alimentation sur le sol et étendez-la à partir de la base. Vérifiez l'alimentation électrique et tous les cordons connectés sont dirigés vers l'emplacement du parasurtenseur (recommandé) ou de la prise de courant.



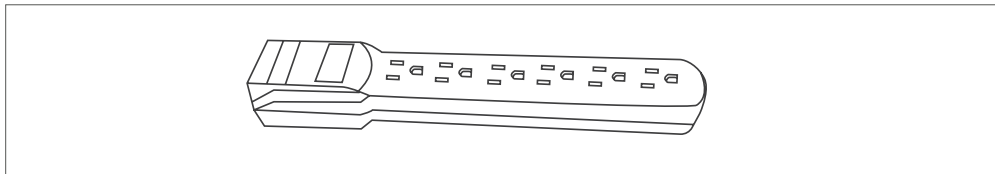
- 7 Faites pivoter délicatement la base sur ses pieds.



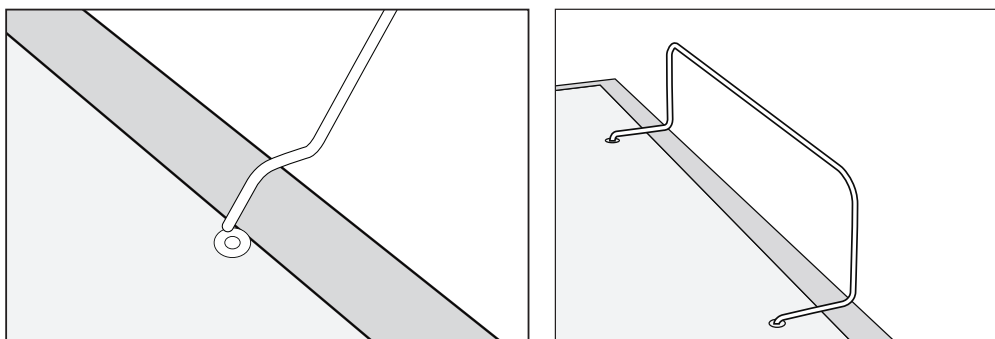
Deux (2) personnes sont nécessaires pour faire pivoter ou déplacer le sommier. Ne traînez pas sur le sol. Ne posez pas le cadre sur le côté, une pression excessive pourrait endommager les pieds.

- 8 Branchez le cordon d'alimentation sur un parasurtenseur (non inclus) ou une prise de courant.

Note: Un protecteur de surtension est recommandé.



- 9 Pour installer la barre de retenue du matelas, insérez chaque extrémité de la barre dans les trous au pied de la plateforme.

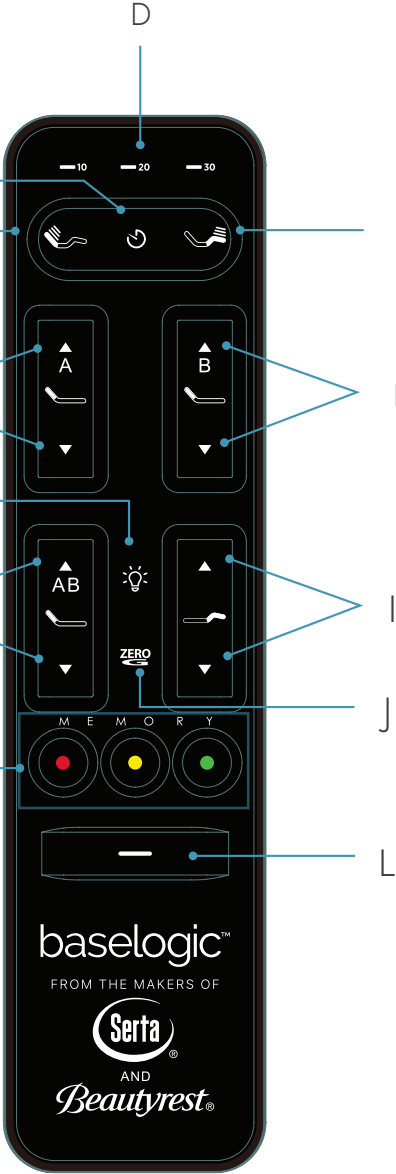


- 10 Assurez-vous que les piles sont correctement installées à l'arrière de la télécommande. Testez les fonctions de la télécommande pour vérifier la bonne configuration avant de placer le matelas sur la base. Remettez la base en position plate avant de placer le matelas dessus.

La configuration est maintenant terminée !

Télécommande

La télécommande est déjà couplée à la base réglable. **Trois (3) piles AAA sont incluses et requises pour utiliser la télécommande.**



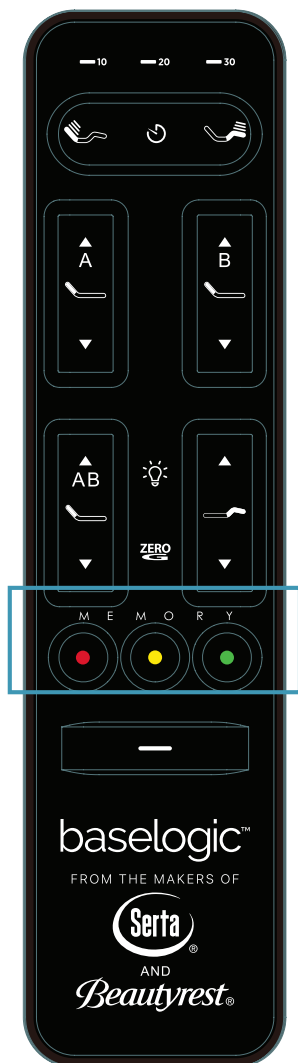
The diagram shows a black remote control with various buttons and indicators. Callout letters A through L point to specific features: A and B point to foot massage icons; C points to a timer indicator (10, 20, 30); D points to a timer indicator (10, 20, 30); E and F point to head massage up/down arrows; G points to a light icon; H and I point to head/foot massage up/down arrows; J points to a 'ZERO' button; K points to three 'MEMORY' buttons (red, yellow, green); L points to a 'FLAT' button. The bottom of the remote features the 'baselogic' logo, 'FROM THE MAKERS OF Serta AND Beautyrest' text, and the Serta and Beautyrest logos.

FONCTIONS DE LA TÉLÉCOMMANDE

- A. Massage de la tête : Faites défiler 3 intensités de massage de la tête (Faible > Moyen > Elevé > Désactivé). Après 10 minutes, la minuterie de massage s'éteindra automatiquement.
- B. Massage du pied : Faites défiler 3 intensités de massage du pied (Faible > Moyen > Elevé > Désactivé). Après 10 minutes, la minuterie de massage s'éteindra automatiquement.
- C. Voyants d'indication de la minuterie de massage : Les voyants sur le dessus de la télécommande indiquent un réglage de minuterie de 10, 20 ou 30 minutes. Le massage s'arrête automatiquement après 10 minutes si la minuterie de massage n'est pas appliquée.
- D. Voyants d'indication de la minuterie de massage : Les voyants sur le dessus de la télécommande indiquent un réglage de minuterie de 10, 20 ou 30 minutes. Le massage s'arrêtera automatiquement après 10 minutes si la minuterie de massage n'est pas réglée.
- E. Lever et abaisser la tête (côté A)
- F. Lever et abaisser la tête (côté B)
- G. Éclairage à DEL sous le lit : Permet d'allumer et d'éteindre l'éclairage sous le lit.
- H. Lever et abaisser la tête (Les deux côtés)
- I. Lever et abaisser les pieds (Les deux côtés)
- J. Zero-G®: Ajuste vos jambes pour soulager la pression au bas du dos. Pour une performance optimale, veuillez remettre le lit en position à plat avant de sélectionner la position pré-réglée zéro gravité.
- K. Pré-réglage anti-ronflement : ajuste la section de tête pour aider à réduire le ronflement.
- L. Position à plat: Remet la base réglable en position à plat.

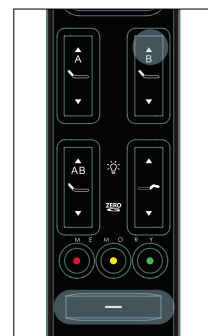
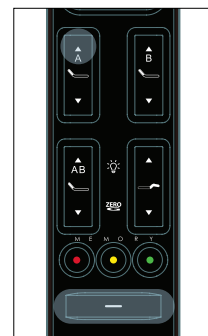
Programmation prédéfinie et verrouillage parental

La télécommande est programmée avec une fonction de sécurité enfant et 3 préréglages programmables.



! FONCTION DE VERROUILLAGE PARENTAL

- **ACTIVEZ** : Enfoncez les boutons de TÊTE LEVÉE (CÔTÉ A) et PLAT pendant trois (3) secondes. Le voyant à DEL clignotera deux fois. La télécommande est maintenant verrouillée.
- **Désactivez** : Enfoncez les boutons de PIEDS LEVÉS et PLAT pendant trois (3) secondes. Le voyant à DEL clignotera deux fois. La télécommande fonctionnera maintenant normalement.



*PROGRAMMER UN NOUVEAU POSTE :

1. Articulez la tête, le pied et les lombaires dans la position souhaitée.
2. Ensuite, appuyez sur l'un des boutons de préréglage [•••] et maintenez-le enfoncé pendant 5 secondes. La position est maintenant enregistrée.

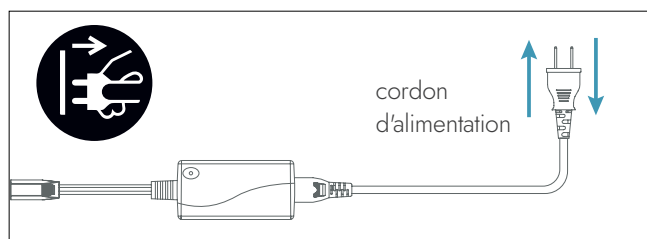
Remarque : Pour restaurer les boutons de préréglage à leurs réglages d'usine d'origine, maintenez FLAT et ZERO-G® enfoncés simultanément pendant au moins 5 secondes. Les préréglages d'origine seront restaurés.

Couplage de la télécommande

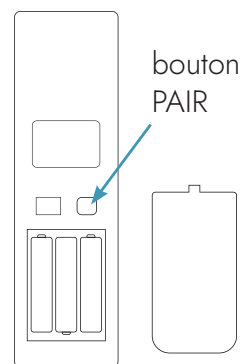
La télécommande d'origine qui est livrée avec l'assemblage est déjà couplée à la base de lit. Aucune action supplémentaire n'est requise. Si la télécommande n'est pas couplée à la base, suivez les étapes ci-dessous.



- 1 Retirez le cache arrière de la télécommande en le faisant glisser vers le bas pour exposer le bouton PAIR. Débranchez le cordon d'alimentation de votre prise de courant. Attendez une minute, puis rebranchez-le à votre prise de courant. Effectuez l'étape 2 dans les 10 secondes, alors que le voyant de la boîte de contrôle clignote.



- 2 Retirez le couvercle à l'arrière d'une télécommande et maintenez le bouton PAIR enfoncé. Il s'illuminera en bleu et commencera à clignoter. Lorsque le bouton de couplage s'arrêtera de clignoter, le voyant lumineux s'éteindra sur le boîtier des piles de secours. Relâchez le bouton de couplage. La télécommande est maintenant couplée avec la base réglable.













- 3 Testez toutes les fonctions de la télécommande. Si les boutons de la télécommande n'ont pas d'impact sur les mouvements de la base, veuillez répéter la procédure ou appelez le service à la clientèle d'Ergomotion.

Guide d'installation des fixations de tête de lit (non inclus)

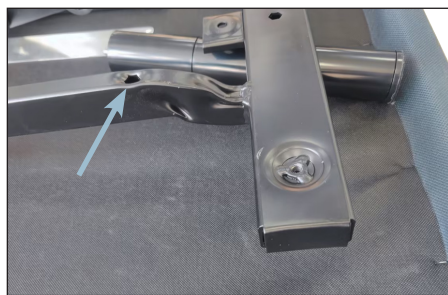
Les supports de tête de lit sont un accessoire en option et ne sont pas inclus.

Pour acheter des composants de support de tête de lit, appelez le service client.

K) 	L) 	M) 	<p>K) Support de tête de lit gauche et droit L) Support en T (2) M) Boulons long (8) N) Boulon moyen (2) O) Boulons court (4) P) Noix à oreilles (2) Q) Rondelles (2) R) Clé hexagonale S) Plaque de retenue (2) T) Vis papillon (2)</p>	
N) 	O) 	P) 		Q) 
R) 	S) 	T) 		

1 Soulevez légèrement la tête du cadre de lit pour accéder à son dessous.

2 À l'aide de vis papillon, fixez la plaque de retenue sous le cadre, en vous assurant que la plaque est orientée vers l'extérieur, vers le bord de la base. Répétez de l'autre côté.

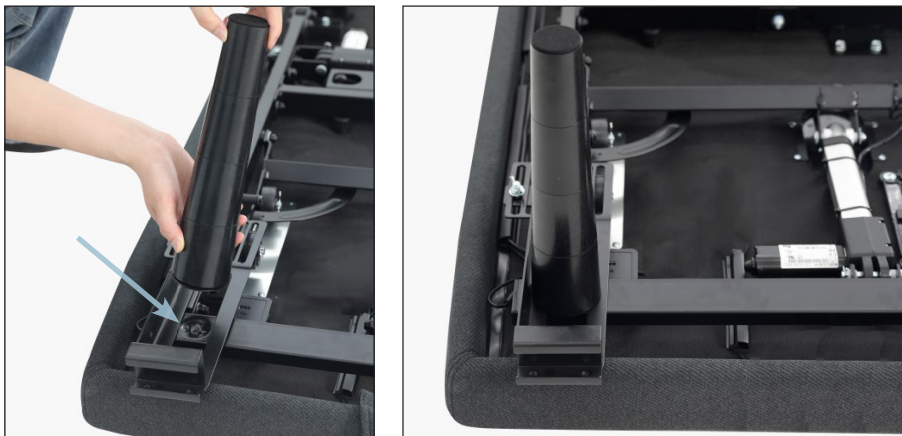


3 Localisez le support de tête de lit gauche et installez-le dans le trou de la plaque de retenue à l'aide d'un boulon moyen. Utilisez la rondelle et l'écrou à oreilles pour le fixer. Ne serrez pas trop. Répétez de l'autre côté.



Guide d'installation des fixations de tête de lit (non inclus)

- 4 Visser les pieds du lit dans la section de tête à la main. Ne serrez pas trop.



- 5 Alignez les trous du support en T avec les trous de montage de la tête de lit. Connectez votre tête de lit au support en T à l'aide des boulons longs restants. Les têtes des boulons seront tournées vers l'extérieur. Utilisez une clé hexagonale pour serrer tous les boulons.

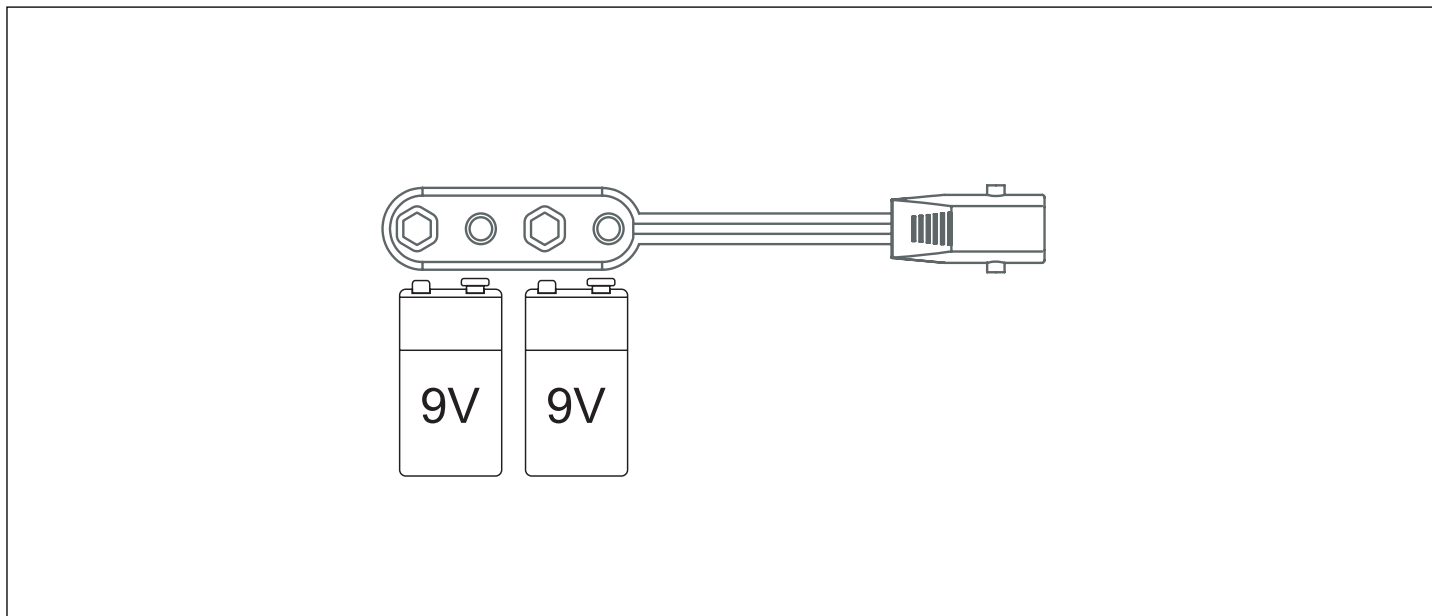


- 6 Fixez le support en T en place en insérant deux boulons courts. Utilisez une clé hexagonale pour serrer les vis.

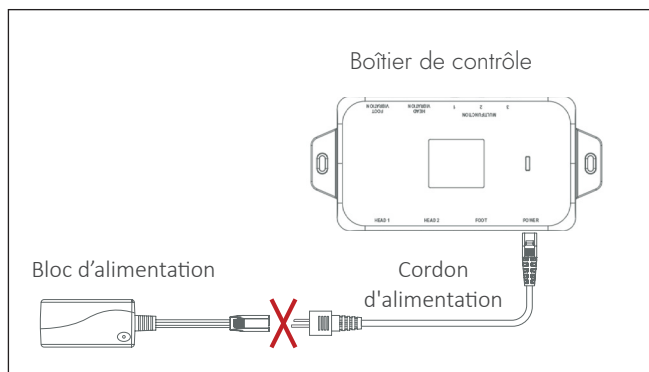


Sangle des piles de secours

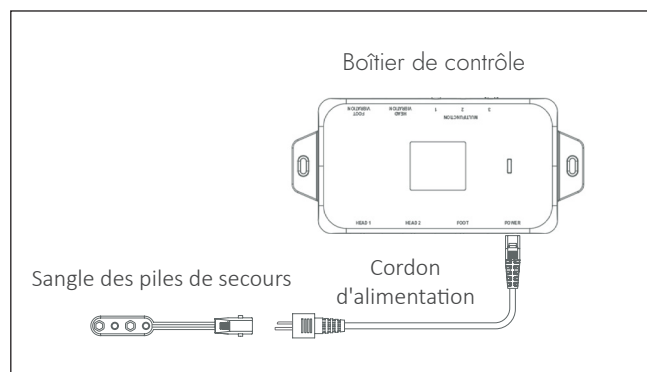
Deux (2) piles de 9 volts sont requises pour utiliser les piles de secours. Les piles ne sont pas incluses.



- 1 Déconnectez l'alimentation du Cordon d'alimentation d'entrée.

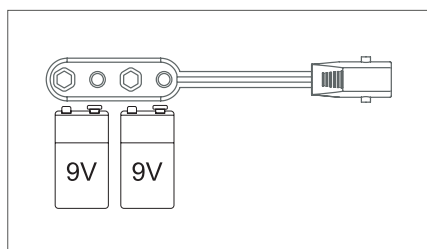


- 3 Connectez l'extrémité de la Sangle des piles de secours au Cordon d'alimentation relié au Boîtier de contrôle.



- 2 Installez les deux (2) piles alcalines de 9 volts dans la sangle des piles de secours (non incluses).

Note : Ne mélangez pas des piles de marque.



- 4 Utilisez la télécommande pour abaisser la base.

Note : Détachez la sangle des piles de secours une fois que l'urgence est terminée, car le système continuera d'être alimenté par les piles même s'il n'est pas utilisé.

Dépannage

Si une ou plusieurs fonctions sur la base de lit ont cessé de fonctionner :

- Assurez-vous que la fonction de verrouillage parental n'est pas activée. Voir la [page 32](#) pour plus de détails.
- Vérifiez sous la base réglable si toutes les connexions filaires sont bien effectuées et qu'aucun cordon ou aucune pièce de literie n'obstrue les mouvements de la base.
- Vérifiez si le voyant à DEL est bien allumé sur le boîtier de contrôle. S'il n'est pas allumé, vérifiez si l'entrée et les cordons d'alimentation sont connectés adéquatement.
- Débranchez la base pendant 60 secondes afin de réinitialiser les composants électroniques.
- Branchez la base réglable sur une prise électrique différente ou testez la prise de courant avec un autre appareil fonctionnel (l'utilisation d'un protecteur de surtension avec mise à la terre est recommandée).
- Assurez-vous que les piles sont correctement installées et n'ont pas besoin d'être remplacées.
- Assurez-vous que la télécommande est couplée à la base. Voir la [page 33](#) pour plus de détails.

Si vous n'avez pas résolu votre problème à l'aide des directives ci-dessus,
appeler l'équipe du service à la clientèle d'Ergomotion.

Garantie Limitée De 20 Ans

Enregistrement en ligne, visitez: <https://warranty.ergomotion.com/warranty>

Veillez préparer une copie numérisée de votre preuve d'achat (facture ou reçu) pour votre enregistrement en ligne.

Garantie de 2 ans sans problème

Votre base ajustable est garantie par le fabricant contre les défauts de pièce ou de fabrication pendant une période de 2 ans suivant la date de livraison par l'acheteur initial. Durant cette période, le fabricant effectuera la réparation ou le remplacement de toute pièce garantie jugée défectueuse par le fabricant, et ce sans frais pour l'acheteur initial, incluant tous les frais de main-d'œuvre et de transport préautorisés en rapport avec la réparation ou le remplacement de toute pièce jugée défectueuse.

Garantie de 5 ans sur les pièces

De la troisième à la 5e année suivant la date de livraison par l'acheteur initial, le fabricant remplacera toute pièce de la base ajustable jugée défectueuse par le fabricant. La responsabilité du fabricant se limite au remplacement de la pièce électrique ou mécanique SEULEMENT. Tous frais de service, d'installation et de transport de ces pièces sont à la charge de l'acheteur.

Garantie limitée de 20 ans

Cependant, le fabricant prolonge la garantie à 20 ans sur les pièces mécaniques jugées défectueuses, selon les limites de la présente garantie. Le fabricant garantit que tout défaut de pièce ou de fabrication sera couvert pendant une période de 20 ans suivant le début de la présente garantie. Ne sont pas couverts par cette garantie de 20 ans : le recouvrement, l'enveloppe de mousse, la plateforme, les pattes, le mécanisme de levage, les moteurs de massage, la boîte de contrôle, la manette de contrôle, le bloc d'alimentation et les câbles d'alimentation électrique. L'acheteur devra défrayer une partie des frais causés par le remplacement de la pièce défectueuse ou de la base complète, selon le seul jugement du fabricant, ces frais représentant 1/5 du prix de détail suggéré par le fabricant pour la pièce ou la base entière devant être remplacée, multipliés par le nombre d'années suivant les cinq ans depuis la date de livraison initiale. La responsabilité du fabricant se limite au remplacement de la pièce défectueuse SEULEMENT. Tous frais de service, d'installation et de transport de ces pièces sont à la charge de l'acheteur.

Conditions générales supplémentaires

Cette garantie exclut le remboursement ou le remplacement pour cause d'inconfort, de déménagement, d'installation de pièce, d'installation du lit, de perte d'usage, d'usure normale, de transport, ainsi que tout frais qui n'est expressément couvert par cette garantie. De plus, la garantie sera annulée dans les circonstances suivantes :

- A. Un dommage résultant d'un usage inapproprié ou abusif par l'acheteur ou par une tierce personne.
- B. Un dommage causé par une réparation ou un remplacement de pièce par une personne non-autorisée.
- C. Un dommage causé par une mauvaise maintenance de la base ajustable (y compris durant le transport), par un usage abusif, par une alimentation électrique inappropriée, ou par non-respect du manuel d'utilisation et de sa garantie.
- D. Un dommage à un matelas, à un recouvrement de sommier, à des tissus, à des câbles électriques ou autres, ou à des accessoires fournis par un autre vendeur ou une tierce personne. Consultez votre vendeur sur la garantie de ces items.
- E. Un dommage causé par la modification de la base ajustable sans consentement écrit du fabricant au préalable.
- F. Des coûts causés par un appel de service dans le but de renseigner le consommateur sur l'utilisation de la base ajustable, ou d'identifier une alimentation électrique appropriée.
- G. Un dommage causé par le non-respect des limites de poids.
- H. Un dommage causé par l'utilisation dans un environnement ou un emplacement commercial non prévu par le fabricant.
- I. Cette garantie requiert qu'un avis soit donné à Ergomotion de toute réclamation pour réparation ou remplacement de pièce.
- J. Un dommage à l'enveloppe de mousse causé par un usage inapproprié ou abusif.

*Les pièces incluent :

Garantie Limitée De 20 Ans

- a. Le mécanisme tête/pied
- b. Les moteurs de massage
- c. La boîte de contrôle
- d. La manette de contrôle à distance
- e. Câbles d'alimentation électrique, bloc d'alimentation électrique
- f. Supports d'installation
- g. Barres de soutien

AUTRE QU'EXPRESSÉMENT ÉNONCÉ PAR LA PRÉSENTE, ET DANS LES LIMITES PRESCRITES PAR LES LOIS EN VIGUEUR, CETTE GARANTIE EXCLUE ET REMPLACE TOUTES AUTRES GARANTIES, REPRÉSENTATIONS, CONDITIONS OU PROMESSES, QU'ELLES SOIENT ORALES OU ÉCRITES, EXPRESSES OU TACITES, DÉCOULANT DE L'APPLICATION D'UNE LOI, D'UN STATUT, D'UN ACCORD OU DE PRATIQUES COMMERCIALES, INCLUANT, MAIS NE SE LIMITANT PAS À DES GARANTIES IMPLICITES ET CONDITIONS MARCHANDES, DE QUALITÉ, DURABILITÉ ET /OU DE VALEUR ADAPTATIVE À UN USAGE PARTICULIER. DANS LES LIMITES PRESCRITES PAR LES LOIS EN VIGUEUR, LA DURÉE DE TOUTE GARANTIE IMPLICITE (SI APPLICABLE), EST LIMITÉE À LA DURÉE DE LA PRÉSENTE GARANTIE. DANS LES LIMITES PERMISES PAR LES LOIS EN VIGUEUR, EN AUCUN CAS LE MANUFACTURIER NE SERA TENU RESPONSABLE D'AUCUN DOMMAGE SPÉCIAL, FORTUIT, PUNITIF, EXEMPLAIRE, INDIRECT, DOMMAGES-INTÉRÊT OU AUTRE, QU'ILS SOIENT PRÉVISIBLES OU NON.

Note: l'exclusion immédiatement ci-dessus ne s'applique pas aux consommateurs résidant au Québec, Canada.

Dans les limites prescrites par les lois en vigueur, cette garantie ne peut pas être transférée et sera résiliée automatiquement si l'acheteur initial vend la base ajustable ou s'en départit de quelque manière que ce soit.

Cette garantie donne à l'acheteur initial certains droits spécifiques. D'autres droits peuvent exister selon la juridiction. De plus, certaines juridictions ne permettent pas (i) l'exclusion de certaines garanties, (ii) de restrictions à la durée de certaines garanties, et /ou (iii) l'exclusion ou la restriction de certains types de coûts et/ou dommages, et donc les restrictions énoncées ci-dessus peuvent ne pas être applicables.

Cette garantie est valable seulement au Canada, aux États-Unis et à Porto Rico.

Limite de poids:

Ce produit n'est pas apte à supporter des poids excédant 750 livres (340 kg), incluant le matelas et la literie. La base peut supporter ce poids à condition qu'il soit également distribué. La base n'est pas conçue pour supporter ou lever un tel poids seulement sur la section tête ou sur la section pieds. Le dépassement de cette limite de poids pourrait endommager le lit et/ou causer des blessures, et annulera la garantie.

AVIS AUX CONSOMMATEURS DU QUÉBEC

Réservé aux consommateurs du Québec- Avis sur la garantie de disponibilité des pièces de rechange, des services de réparation et des renseignements nécessaires à la réparation ou à l'entretien (art. 39 de la Loi sur la protection du consommateur)

Veillez noter que Serta Simmons Bedding, LLC (« Serta Simmons »), ainsi que ses sociétés affiliées, filiales, sociétés mères, assureurs, successeurs et ayants droit, ne garantissent pas, au sens de l'article 39 de la Loi sur la protection du consommateur, RLRQ, c. P-40.1, et des articles 79.18 à 79.20 du Règlement d'application de la Loi sur la protection du consommateur, RLRQ, c. P-40.1, r. 3, la disponibilité des pièces de rechange, des services de réparation ou des renseignements nécessaires à l'entretien ou à la réparation des biens fabriqués, importés, annoncés ou vendus par Serta Simmons ou ses filiales.

Veillez noter que, selon le type et la marque du produit, nous continuons d'offrir des services de réparation, d'échange et/ou de remplacement de pièces par l'intermédiaire de notre service client et de notre service de réclamation sous garantie, sous réserve des conditions de la garantie limitée du fabricant. Pour plus d'informations, veuillez consulter la section « Garantie » du site web de nos différentes marques ou appeler Serta au 1 888 875-5999 ou Beautyrest au 1 888 507-8772.

Información importante de seguridad



Lea todas las instrucciones antes de usar su base ajustable. Guarda estas instrucciones.

⚠️ ADVERTENCIA

Para evitar descargas eléctricas, lesiones graves o la muerte:

- PELIGRO DE ATRAPAMIENTO. ¡Esta cama puede aplastar y matar cuando se mueve! Consulte la sección Niños y mascotas para obtener más información.
- Se recomienda enchufar el cable de alimentación de la base de cama ajustable a un protector de sobretensión (no incluido). La base de cama solo debe enchufarse directamente a un protector de sobretensión (recomendado) o a una toma de corriente eléctrica.
- Desenchufe siempre la base del protector de sobretensión o del tomacorriente antes de realizar cualquier mantenimiento en cualquier parte de la base de cama ajustable. Para reducir el riesgo de descarga eléctrica, desenchufe la base antes de limpiarla. Para desconectarla de forma segura, asegúrese de que la base esté en posición horizontal con todos los motores apagados y desenchúfela de la fuente de alimentación. Mantenga el cable de alimentación alejado de superficies calientes.
- Deje de usar la base ajustable y comuníquese con un centro de servicio calificado si tiene un cable o enchufe dañado, no funciona correctamente o ha estado expuesta al agua.
- Utilice esta base ajustable para el uso previsto, tal y como se describe en este manual.
- No utilice accesorios o complementos que no estén recomendados por el fabricante. Se requiere una supervisión estricta cuando la base de la cama sea utilizada por niños, convalecientes, personas discapacitadas o mascotas o cerca de ellos.
- La conexión incorrecta del equipo puede provocar riesgo de descarga eléctrica, incendio o mal funcionamiento de esta base de cama. Si el enchufe no encaja en la toma de corriente, póngase en contacto con un electricista calificado para que instale una toma de corriente adecuada.
- La modificación no autorizada o la falta de uso de una toma eléctrica o un protector de sobretensión podría anular la parte eléctrica de su garantía.



NIÑOS Y MASCOTAS:

⚠️ ADVERTENCIA

PELIGROS DE ATRAPAMIENTO Y APLASTAMIENTO. ¡Las piezas móviles pueden aplastar y matar!

Para evitar **LESIONES GRAVES** o la **MUERTE**:

- Asegúrese de que no haya niños ni animales cerca o debajo de la cama antes de bajarla.
- Siempre baje la base a una posición plana (horizontal) y active el bloqueo de seguridad para niños antes de salir de la habitación.
- Guarde el control remoto fuera del alcance de los niños.



Deseche inmediatamente todos los materiales de embalaje y las bolsas de plástico, ya que pueden representar un riesgo de asfixia para los niños y los animales.



MARCAPASOS

Se recomienda **ENFÁTICAMENTE** que las personas con marcapasos u otros dispositivos médicos implantados consulten a su médico antes de utilizar productos que contengan imanes de neodimio.

Algunos productos contienen imanes de neodimio que pueden interferir con dispositivos médicos como marcapasos, desfibriladores automáticos implantables y cualquier otro dispositivo sensible a los campos magnéticos.

También es posible que algunos marcapasos interpreten erróneamente las vibraciones de la función de masaje opcional como movimiento o ejercicio. Esto es algo habitual en cualquier producto que genere un movimiento vibratorio y puede afectar al marcapasos. Consulte a su médico antes de utilizar la función de masaje.

QUÉ HACER Y QUÉ NO HACER

HACER:

- Conecte su base ajustable a un protector de sobretensión.
- Llame al servicio de atención al cliente de Ergomotion si tiene problemas técnicos. No intente forzar la base hacia abajo, ya que esto puede dañar los motores o el marco.
- Tenga en cuenta que se recomienda utilizar bases ajustables con colchones ajustables.
- Bájelo a la posición plana (horizontal) después del uso y entre ajustes preestablecidos.
- Distribuya el peso de manera uniforme al dormir en una posición dividida. Una distribución desigual del peso puede provocar que la base se eleve de manera desigual.
- Registre su garantía tan pronto como le hayamos entregado su base ajustable.
- Utilice agua y jabón suave para limpiar su base ajustable si aparecen manchas.
- Entrar o salir de la base ajustable en posición plana (horizontal).

NO HACER:

- Siéntese en las esquinas o bordes de la base, esto puede deformar el marco, los puntales o la espuma.
- Inclíne la base hacia un lado. Esto puede dañar las patas o los tornillos de las patas.
- No se pare ni salte sobre la base ajustable en ningún momento, esto puede dañar el marco y los motores.
- Arrastre la base para moverla. Si arrastra la base, podría dañar el marco, desgastar las tuercas o los pernos o romper las patas. Compre ruedas si planea mover la base con frecuencia.
- Entrar y salir de la base ajustable con la cabeza y/o el pie en posición articulada.
- No modifique ni altere la base. Esto anulará la garantía.
- Presionar hacia abajo las secciones de la cabeza o los pies mientras están accionadas puede dañar el marco y los motores.

CARACTERÍSTICAS DE SEGURIDAD

Operación manual – Si algo queda atrapado en la plataforma cuando se aplanan, puede levantar la plataforma manualmente levantándola tanto por la cabeza como por el pie para aliviar la presión y permitir que se suelte.

Bloqueo para niños – Este control remoto está programado con una función de seguridad de bloqueo para niños. La información sobre la activación y desactivación de esta función se puede encontrar en la(s) página(s) del control remoto y en la parte posterior de su control remoto.

Parada de emergencia – Detenga el movimiento de la plataforma presionando cualquier botón del control remoto o presionando el botón de la caja de respaldo de batería ubicada debajo de la base.

Corte de energía – Use la “Correa de respaldo de batería de emergencia” como una fuente de energía temporal para llevar la base a la posición deseada. Las instrucciones sobre cómo operar la correa de respaldo de batería se encuentran en las páginas de respaldo de batería de emergencia.

Ruedas giratorias (accesorio de pata opcional) – Están equipadas con ruedas bloqueables para evitar movimientos no deseados. Incluso cuando están bloqueadas, es posible que las ruedas se deslicen.

USO EN EL HOGAR Y ESTÁNDARES HOSPITALARIOS

Las bases de cama ajustables Ergomotion están diseñadas exclusivamente para uso en el hogar. Esta base de cama ajustable no fue diseñada como cama de hospital y no está diseñada para cumplir con los estándares hospitalarios.



No utilice esta base con equipos de oxigenoterapia TIPO TIENDA ni cerca de gases explosivos.

CUMPLIMIENTO CON LA FCC DE LOS EEUU (FEDERAL COMMUNICATION COMISSION), POR SUS SIGLAS EN INGLÉS.

NOTA: Este equipo ha sido probado y cumple con los límites para un dispositivo digital de Clase B, de conformidad con la parte 15 de las Reglas de la FCC. Estos límites están diseñados para proporcionar una protección razonable contra interferencias perjudiciales en una instalación residencial. Este equipo genera, utiliza y puede irradiar energía de radiofrecuencia y, si no se instala y utiliza de acuerdo con las instrucciones, puede causar interferencias perjudiciales en las comunicaciones de radio. Sin embargo, no hay garantía de que no se produzcan interferencias en una instalación en particular. Si este equipo causa interferencias perjudiciales en la recepción de radio o televisión, lo que se puede determinar apagando y encendiendo el equipo, se recomienda al usuario que intente corregir la interferencia mediante una o más de las siguientes medidas:

- Reorientar o reubicar la antena receptora.
- Aumente la separación entre el equipo y el receptor.

- Conecte el equipo a una toma de corriente en un circuito diferente al que está conectado el receptor.
- Consulte al distribuidor o a un técnico experimentado de radio / TV para obtener ayuda.

GUARDE ESTAS INSTRUCCIONES PARA FUTURAS CONSULTAS.

Conozca su base de cama ajustable

LÍMITES DE PESO BASE AJUSTABLES

Este producto no está clasificado para soportar pesos que excedan un total de 750 lb (340 kg), incluido el colchón y la ropa de cama.



Exceder este límite de peso puede dañar la base ajustable, causar lesiones graves y anular la garantía.

La base puede soportar estructuralmente este límite de peso, siempre que el peso se distribuya de manera uniforme en toda la base ajustable. La base ajustable no está diseñada para soportar o levantar esta cantidad utilizando únicamente la sección de la cabeza o de los pies.

MECANISMOS DE ELEVACIÓN/BAJADA

La función de elevación/descenso emitirá un zumbido mínimo durante el funcionamiento. Esto es normal. La tensión, la presión o el movimiento aplicados al marco, la plataforma o la cubierta durante el uso general pueden generar sonidos audibles.

Durante el funcionamiento, las ruedas del brazo elevador entran en contacto con el soporte de la plataforma de la base. Este contacto puede provocar un contacto de metal con metal o de metal con plástico. Esto aplica una ligera tensión en los componentes móviles y la resonancia se reduce a un nivel mínimo. Si se percibe un ruido o vibración excesivos, invierta la acción de movimiento (hacia arriba o hacia abajo) de la base con el control remoto. Esto debería realinear los mecanismos de activación de la base a la posición operativa adecuada.

En el funcionamiento normal de la base, las ruedas que permiten que la cama mantenga su distancia de la pared, harán contacto con los soportes de la plataforma de acero de la base, lo que generará un ruido de contacto. Al entrar, salir o cambiar de lugar el peso en la base, este ruido de contacto puede ser audible cuando las ruedas hacen contacto. Esto es normal.

OPERACIÓN EN EMPAREJAMIENTO

Al utilizar bases ajustables sincronizadas, puede haber un intervalo de hasta 1,5 segundos entre los movimientos de cada base.

MOTORES

Los motores de elevación no están diseñados para funcionar de forma continua durante más de dos (2) minutos en un período de dieciocho (18) minutos o aproximadamente un ciclo de trabajo del 10 %. Intentar eludir o superar esta clasificación acortará la vida útil del producto y puede anular la garantía.

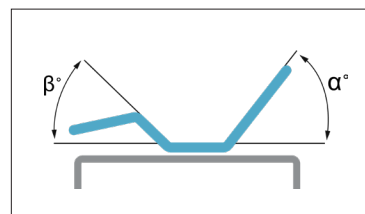
Los motores de masaje (si están equipados) no están diseñados para funcionar de forma continua durante más de treinta (30) minutos seguidos. Deje que el sistema de masaje descanse durante treinta (30) minutos después de que se apague automáticamente el masaje antes de reiniciarlo.

TOLERANCIA

Todas las bases ajustables Ergomotion, según la marca y el modelo, están diseñadas y fabricadas para funcionar dentro de los parámetros de control de calidad designados. Las bases están sujetas a inspecciones meticulosas y rigurosas durante el proceso de control de calidad para garantizar que funcionen dentro de estos estándares durante el uso normal.

El uso normal de funcionamiento se define de la siguiente manera: la base ajustable debe funcionar con un colchón y una carga. Los procedimientos de prueba requieren pruebas de ciclo de vida útil con una carga distribuida de hasta 265 lb (120 kg). El ángulo (designado como "α" en la figura 1) entre la sección posterior y la sección plana para varias configuraciones de la plataforma de soporte del colchón debe ser de $\pm 3^\circ$, lo que se traduce en una tolerancia de hasta 1 1/2".

El ángulo (designado "β" en la figura 1) entre la sección plana y la sección del pie para las distintas configuraciones de la plataforma de soporte del colchón debe ser de $\pm 3^\circ$, lo que se traduce en una tolerancia de hasta 3/4". Se considera que cualquier base ajustable que se considere dentro de estas tolerancias asignadas ha cumplido con los estándares de control de calidad del fabricante.



MATERIALES DE CONSTRUCCIÓN

Las bases ajustables Ergomotion están construidas con diversos materiales, incluidos maderas, metales, plásticos y telas.

Conozca su base de cama ajustable

ESE OLOR A “PRODUCTO NUEVO”

Algunas personas pueden notar un ligero olor cuando reciben su nueva base ajustable.

Este olor es normal y suele desaparecer antes de que le entreguemos el producto. A veces, este olor puede seguir siendo perceptible y debería desaparecer después de algunas semanas.

PERIODO DE ADAPTACION

Puede acelerar el período de adaptación, simplemente pase tiempo en la cama ajustable haciendo actividades como leer, ver la televisión o jugar con los niños o nietos. El movimiento extra ayudará a la base ajustable a responder al peso y los cambios de temperatura.

Algunos de los materiales en nuestras bases ajustables como las maderas, metales y plásticos utilizados en la plataforma, el marco y los componentes son sensibles a la humedad y la temperatura y puede emitir sonidos en ambientes más fríos.

DESGASTE Y ROTURA

El desgaste es el daño que se produce de forma natural e inevitablemente como resultado de un uso normal o envejecimiento.

CUIDADO DE LA TELA

Para prolongar la vida útil de la tela, protéjala de la luz solar directa siempre que sea posible. Manténgala a una distancia mínima de 30 cm (12 pulgadas) de fuentes de calor directas.

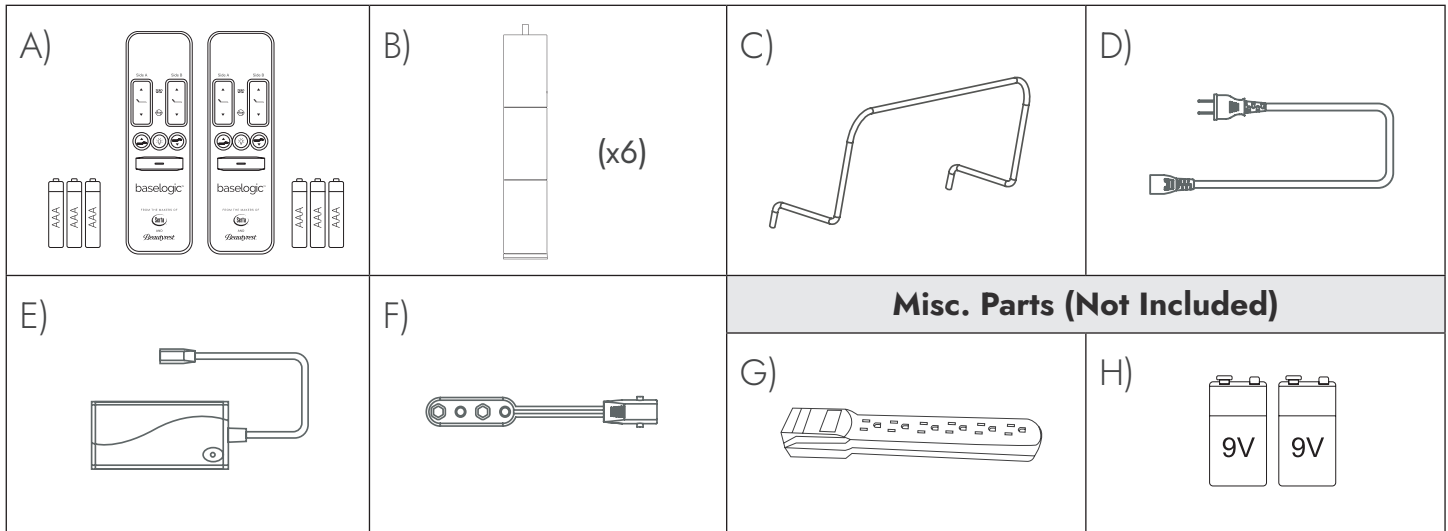
Para limpiar manchas, limpie el área con una esponja ligeramente húmeda o aspire con un accesorio de cepillo suave para eliminar las partículas.

Para una limpieza más profunda, seque los derrames de líquido con un paño limpio y seco. Limpie con un paño limpio humedecido con agua tibia. No moje en exceso ni utilice productos químicos abrasivos o fuertes. Se puede utilizar un cepillo de cerdas suaves para eliminar la suciedad incrustada. Evite rayar con un cepillo suave. Limpie con un paño limpio humedecido con agua tibia para eliminar los residuos.

Secar en un lugar alejado de la luz solar directa y de fuentes de calor directas. Si quedan marcas visibles después de la limpieza, consulte a un profesional.

Lista de partes

Antes de desechar los materiales de empaque asegúrese de que tiene todas las partes. Los componentes electrónicos y los componentes se encuentran en bolsas debajo de la base o sujetos al marco con bridas o bridas naranjas.



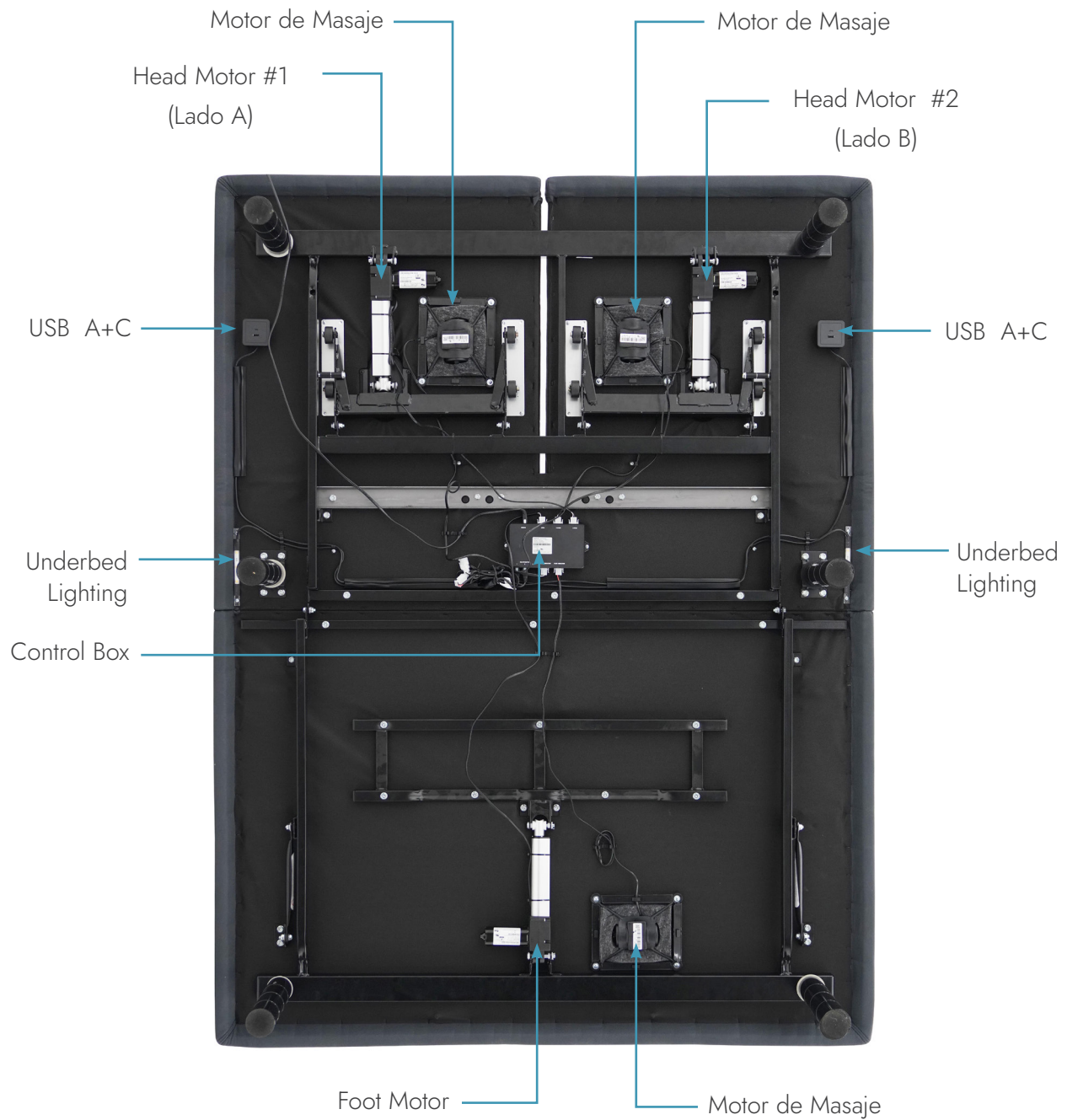
- A. Control remoto inalámbrico (2) y Pilas AAA (6)
- B. Patas (6)
- C. Barra de retención del colchón
- D. Cable de alimentación
- E. Fuente de alimentación
- F. Correa de respaldo de la batería (Pilas alcalinas 9V (2) no incluida)

Equipo adicional (no incluido)

- G. Protector contra sobretensiones
- H. Pilas alcalinas 9V

‡ Sólo se incluyen con las bases Individuales Largos y CA King separados.

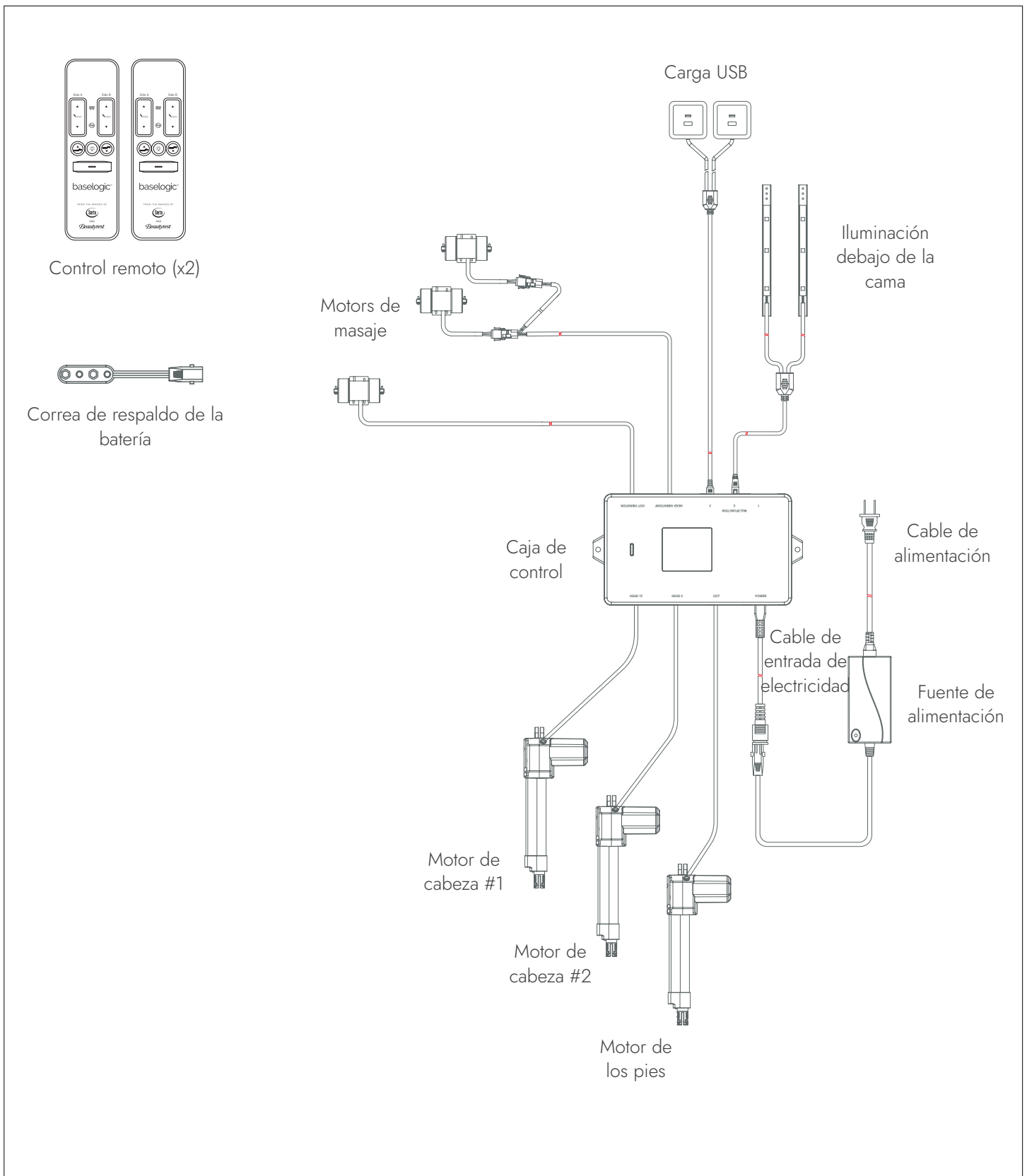
Diagrama de la base



Resumen electrónico

No a escala. Sólo con fines ilustrativos.

Lea todas las instrucciones antes de comenzar la instalación.



Instalación de la base



Utilice siempre dos (2) personas al instalar la base.



Lea todas las instrucciones antes de comenzar la instalación.

1 Coloque la caja de la base de la cama en el lugar deseado, con la parte de abajo de la cama hacia arriba. Quite las cintas de seguridad y los materiales de empaque con cuidado de no perforar la caja con algún objeto afilado.

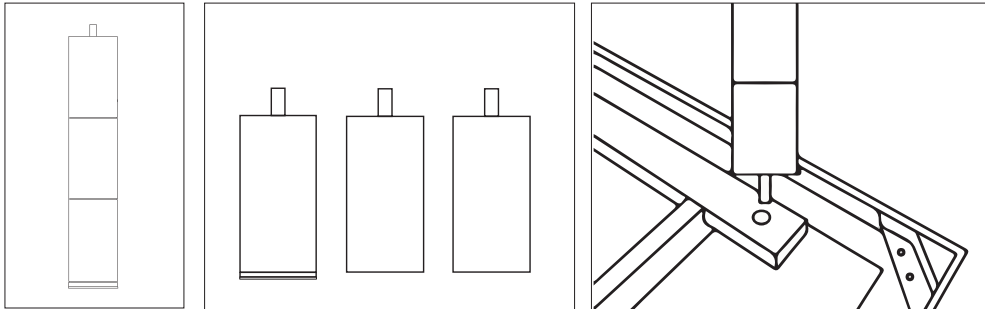
2 Retire la base de la cama de la caja. Desplegar la cama asegurándose de mantener la parte inferior de la cama hacia arriba.

Nota: Para instalar los soportes de la cabecera, vea las instrucciones detalladas en la [página 53](#).

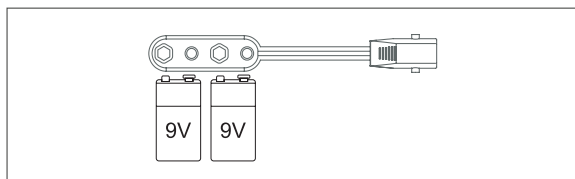
3 Para instalar las patas, enrosque la pata en el marco y ajústela con la mano.

Nota: No apriete demasiado. Si aplica demasiada fuerza, la pata puede girar libremente.

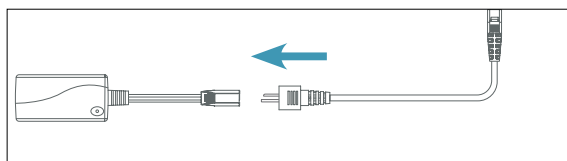
Nota: Las patas se envían completamente ensambladas. Se pueden lograr alturas alternativas quitando los segmentos de las patas.



4 Ubique la correa de respaldo de batería e instale dos (2) baterías alcalinas de 9V (no incluidas). Guarde la correa en un lugar conveniente en caso de un corte de energía. Para obtener instrucciones de funcionamiento, consulte la [página 55](#).

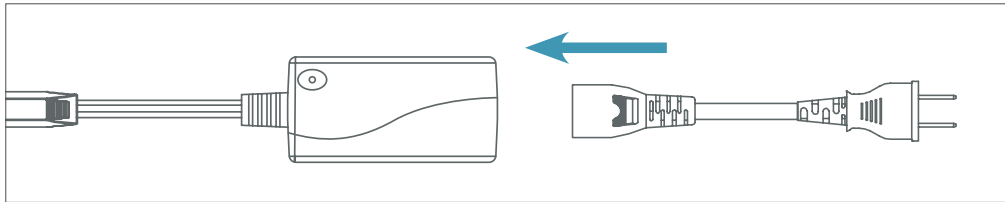


5 Desenrolle el cable de alimentación de entrada (conectado al puerto de alimentación de la caja de control) y conéctelo a la fuente de alimentación.



Guía de instalación (continuación)

- 6 Desenrolle el cable de alimentación y conéctelo a la fuente de alimentación. Coloque la fuente de alimentación en el suelo y extiéndala desde la base. Verifique que la fuente de alimentación y todos los cables conectados estén dirigidos hacia la ubicación del protector de sobretensión (recomendado) o la toma de corriente.



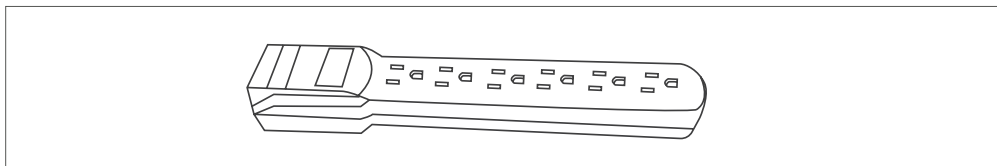
- 7 Gire con cuidado la base sobre sus patas.



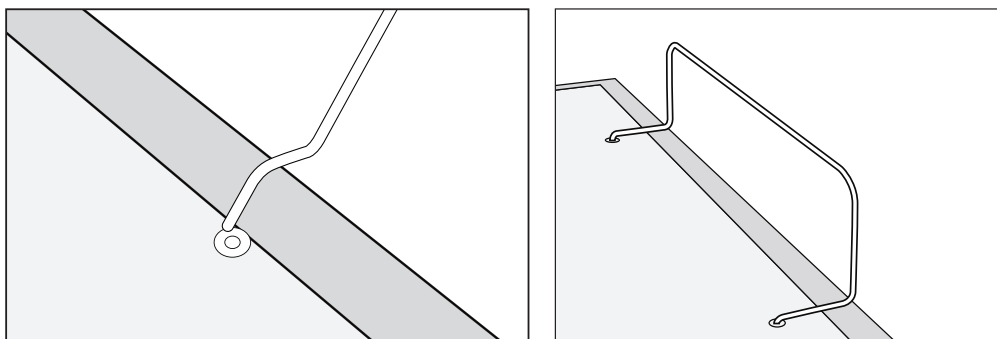
Se necesitan dos (2) personas para girar o mover la base de la cama. No la arrastre por el suelo. No apoye el armazón sobre uno de sus lados, ya que la presión excesiva puede dañar las patas.

- 8 Conecte el cable de alimentación a un protector de sobretensión (no incluido) o a una toma de corriente.

Note: Se recomienda un protector contra sobretensiones.



- 9 Para instalar la barra de retención del colchón, inserte cada extremo de la barra en los agujeros al pie de la plataforma.

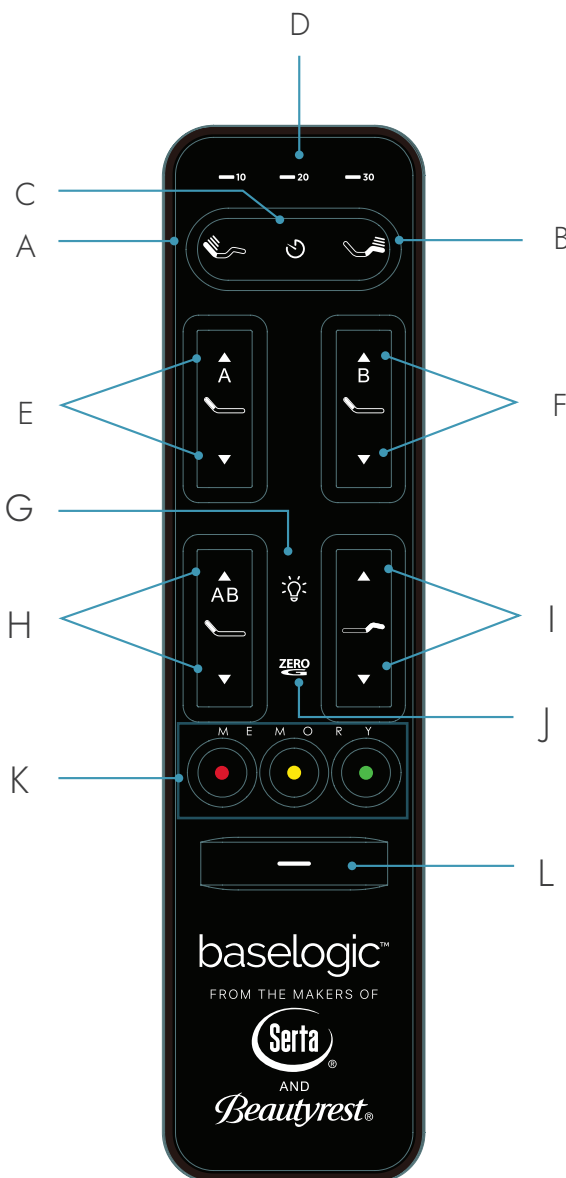


- 10 Asegúrese de que las pilas estén correctamente instaladas en la parte posterior del control remoto. Pruebe las funciones del control remoto para verificar que la configuración sea correcta antes de colocar el colchón sobre la base. Vuelva a colocar la base en una posición plana antes de colocar el colchón sobre ella.

¡La configuración ya está completa!

Control Remoto

El control remoto llega emparejado con la base ajustable. Se requieren tres (3) baterías AAA (incluidas) para operar el control remoto.

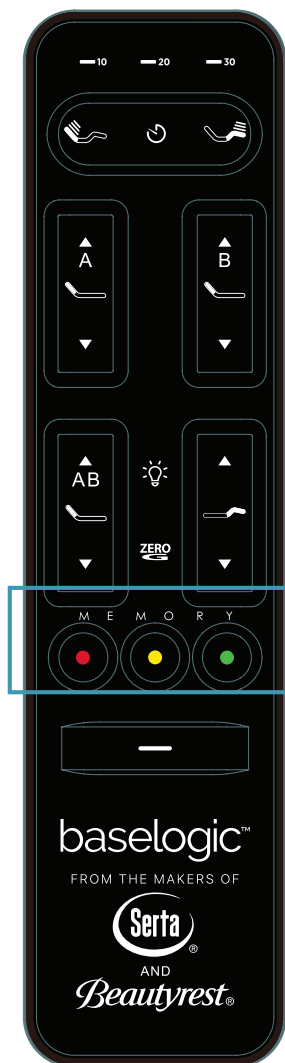


FUNCIONES DE LOS BOTONES

- A. Masaje de cabeza: Ciclo a través de 3 intensidades de masaje de cabeza (Bajo > Medio > Alto > Apagado) Después de 10 minutos, el temporizador de masaje se apagará automáticamente.
- B. Masaje de los pies: Ciclo a través de 3 intensidades de masaje de pies (Bajo > Medio > Alto > Apagado) Después de 10 minutos, el temporizador de masaje se apagará automáticamente.
- C. Temporizador de masaje/TODO desactivado: El botón inicia el masaje en el nivel 2. Seleccione un intervalo de masaje de 10, 20 o 30 minutos. Al presionar una cuarta vez se apagará el masaje.
- D. Luces indicadoras del temporizador de masaje: Las luces en la parte superior del control remoto indican una configuración del temporizador de 10, 20 o 30 minutos. El masaje se apagará automáticamente después de 10 minutos si el temporizador de masaje no está configurado.
- E. Levante y baja la cabeza (Lado A)
- F. Levante y baja la cabeza (Lado B)
- G. Luces: enciende o apaga las luces debajo de la cama.
- H. Levante y baja la cabeza (Lados A&B)
- I. Levante y baja los pies (Lados A&B)
- J. Zero-G®: Posición preestablecida que ajusta sus piernas a un nivel más alto que su corazón, lo que ayuda a aliviar la presión en la parte inferior de la espalda y promueve la circulación.
- K. Preajuste antironquidos: ajusta la sección de la cabeza para ayudar a reducir los ronquidos.
- L. Posición plana: Regrese la base ajustable a una posición plana.

Programación remoto y bloqueo para niños

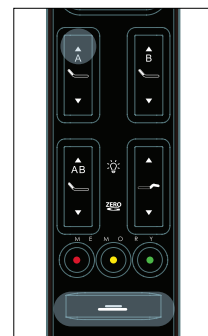
Este control remoto está programado con una función de bloqueo de seguridad para niños y tres preajustes programables.



BLOQUEO PARA NIÑOS:

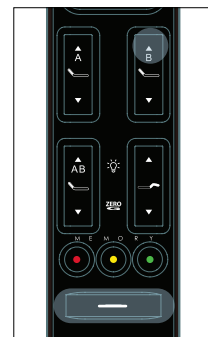
· ACTIVAR EL BLOQUEO PARA NIÑOS:

Mantenga presionados los botones PLANA y LEVANTAR LA CABEZA (LADO A) durante tres (3) segundos. Cuando la luz de fondo del control remoto parpadea 2 veces, eso significa que el bloqueo se ha completado. Cuando se presiona un botón en el modo de bloqueo para niños, la luz de fondo del control remoto parpadeará dos veces.



· DESACTIVAR EL BLOQUEO PARA NIÑOS:

Mantenga presionados los botones PLANA y LEVANTAR LOS PIES durante tres (3) segundos. Cuando la luz de fondo del control remoto parpadea 2 veces, eso significa que se completó el desbloqueo. El control remoto ahora funcionará normalmente.



PROGRAMACIÓN PREESTABLECIDA:

1. Articula la cabeza y los pies a la posición deseada.
2. Mantenga presionado uno de los botones predeterminados [•••] durante 5 segundos. La posición ahora está guardada.

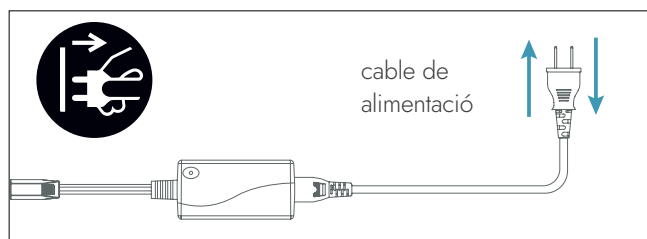
NOTA: Para restaurar los botones predeterminados a sus configuraciones originales de fábrica, mantenga presionados PLANA y ZERO-G® simultáneamente durante al menos 5 segundos. Se restaurarán los ajustes preestablecidos originales.

Configuración de control remoto

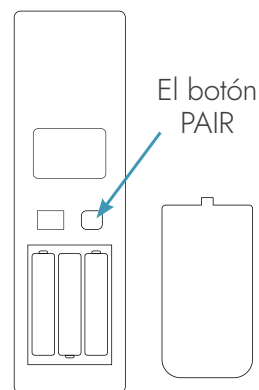
El Control Remoto se entrega previamente sincronizado y/o configurado a su base ajustable. Pero en caso de que se haya des-configurado, siga estos sencillos pasos.



- 1 Desenchufe el cable de alimentación de su toma de corriente. Espere 1 minuto, luego vuelva a enchufarlo a su toma de corriente. Realice el paso 2 en los siguientes 10 segundos, mientras la luz de la caja de control parpadea.












- 2 Retire la cubierta posterior del control remoto deslizándolo hacia abajo para exponer el botón PAIR. Mantenga presionado el botón PAIR en la parte posterior del control remoto. El botón PAIR se iluminará y comenzará a parpadear. Cuando el botón PAIR deja de parpadear, la luz LED en la caja de control dejará de parpadear. Suelte el botón PAIR.



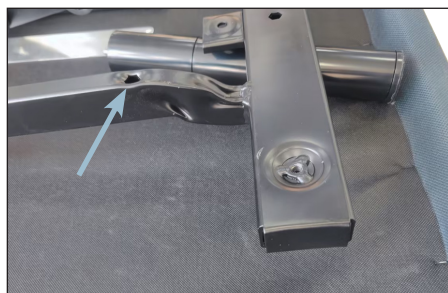
- 3 Pruebe todas las funciones del control remoto. Si los botones no activan el movimiento de base ajustable, repita el proceso o llame al servicio al cliente de Ergomotion.

Instalación del soporte de la cabecera (no incluida)

Los soportes para cabecera son un accesorio opcional y no están incluidos.
Se incluye una llave hexagonal con el kit de accesorios para completar la instalación.

K)		L)		M)		K) Soporte de cabecera izquierdo y derecho L) Soporte en T (2) M) Tornillo Largo (8)
N)		O)		P)		N) Tornillo Mediano (2) O) Tornillo Corto (4) P) Tuerca de Mariposa (2)
R)		Q)		T)		Q) Arandela Plana (2) R) Llave Hexagonal S) Placa de retención (2) T) Tornillo de mariposa (2)

- 1 Levante ligeramente la cabecera del somier para acceder a su parte inferior.
- 2 Usando tornillos de mariposa, fije la placa de retención a la parte inferior del marco, asegurándose de que la placa mire hacia afuera, hacia el borde de la base. Repita del otro lado.

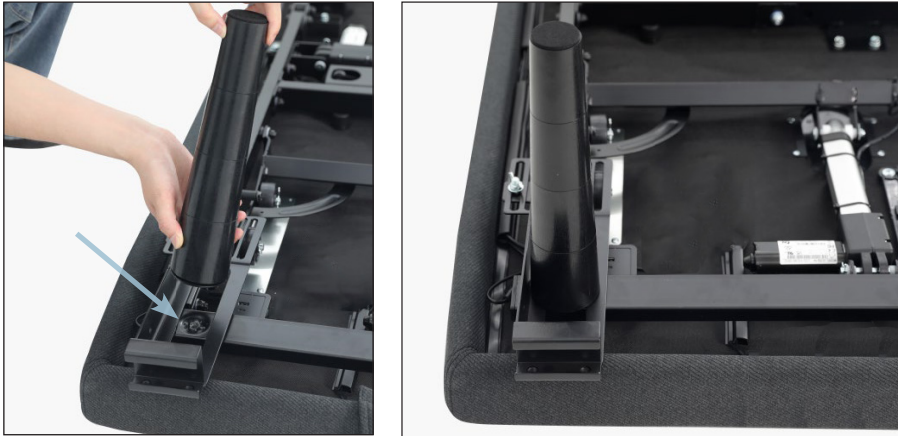


- 3 Ubique el soporte izquierdo de la cabecera e instálelo a través del orificio de la placa de retención usando un perno mediano. Utilice la arandela y la tuerca de mariposa para asegurarlo. No apriete demasiado. Repita del otro lado.

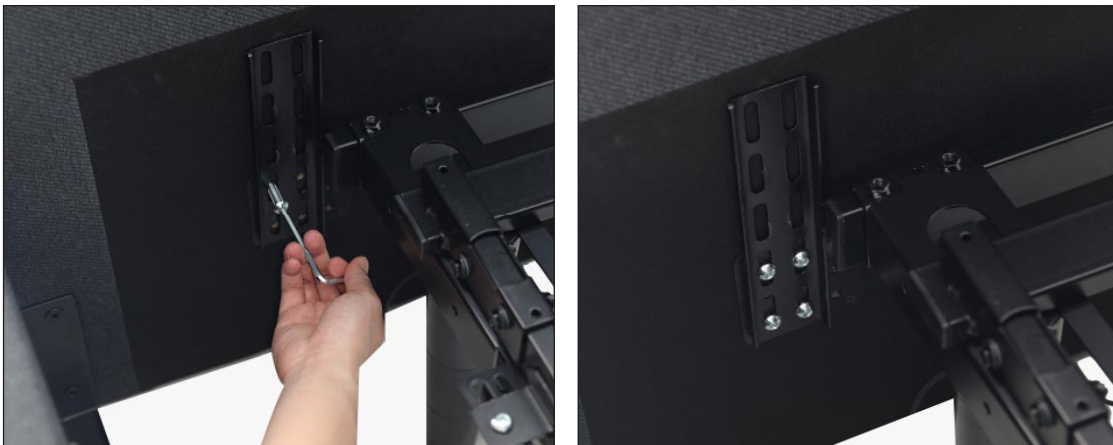


Instalación del soporte de la cabecera (no incluida)

- 4 Atornille las patas manualmente en la sección de la cabeza. No apriete demasiado.



- 5 Alinee los orificios del soporte en T con los orificios de montaje de la cabecera. Conecte su cabecera al soporte en T usando los pernos largos restantes. Las cabezas de los pernos mirarán hacia afuera. Utilice una llave hexagonal para apretar todos los tornillos.

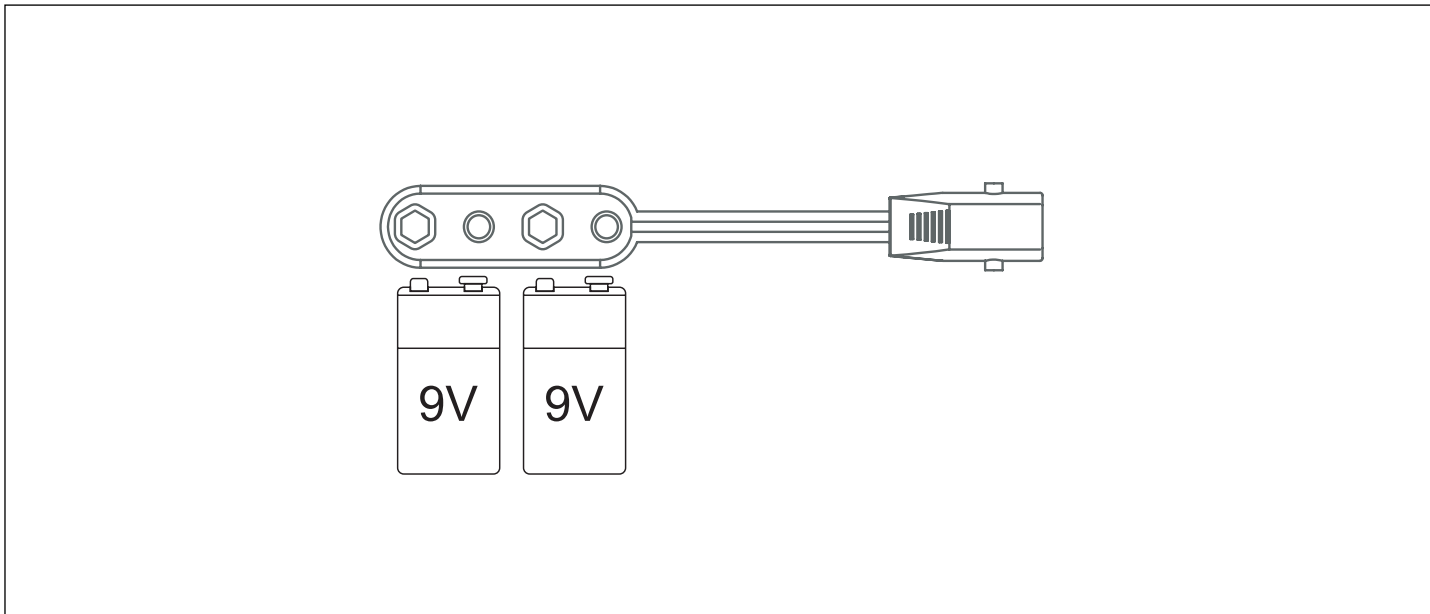


- 6 Asegure el soporte en T en su lugar insertando dos pernos cortos. Utilice una llave hexagonal para apretar los tornillos.

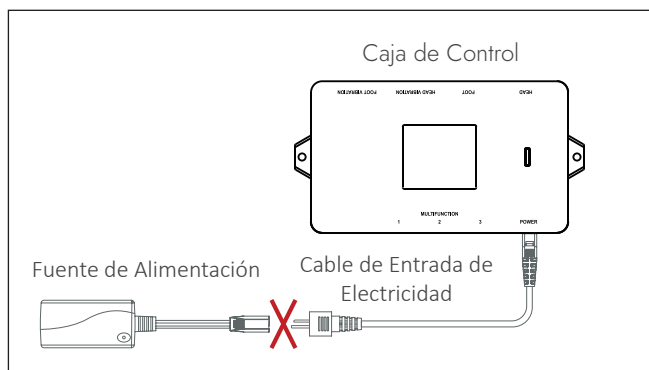


Correa de respaldo de la batería

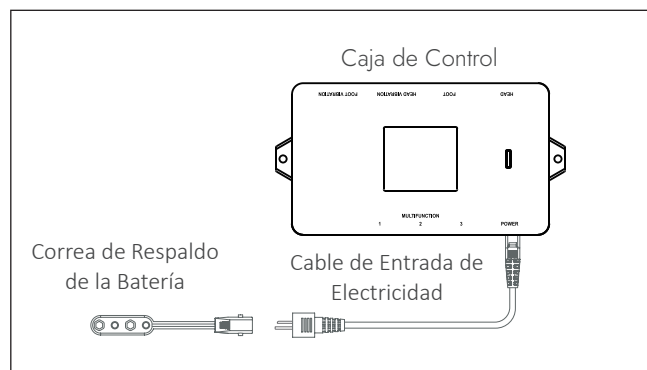
Para uso de emergencia solamente, en caso de un corte de energía. Las baterías no deben usarse para el funcionamiento normal de la cama.



- 1 Desconecte la fuente de alimentación del Cable de Entrada de Electricidad.

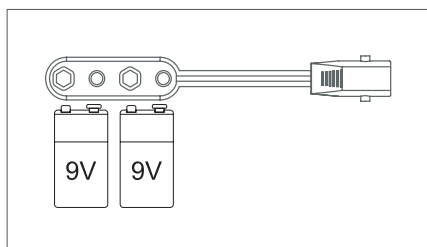


- 3 Conecte el extremo de la Correa de Respaldo de la Batería al Cable de Entrada de Electricidad.



- 2 Conecte la Correa de Respaldo de la Batería a las (2) pilas alcalinas de 9 voltios (no incluidas).

Nota: No mezcle pilas de marca.



- 4 Use el control remoto para bajar la base a la posición plana.

Nota: Desconecte la Correa de la Batería de Respaldo después de que finalice la emergencia, ya que el sistema seguirá consumiendo energía de las baterías, incluso si no se usa.

Solución de problemas

Si una o más funciones en la base de la cama han dejado de funcionar:

- Verifique que la función de bloqueo infantil no esté habilitada. Vea la [página 51](#) para más información.
- Revise debajo de la base para verificar que las conexiones de cable son seguras y que no haya cables o ropa de cama obstruyendo el movimiento de la base.
- Compruebe que el LED verde se enciende en el cuadro de control. Si no hay ninguna luz, compruebe que los cables de entrada y la potencia están conectados correctamente.
- Desconecte la base durante 60 segundos para reiniciar los componentes electrónicos.
- Conecte la base a una toma eléctrica diferente, o toma de corriente de prueba con otro aparato de trabajo (es necesario un protector de voltaje).
- Verifique que las baterías del control remoto están correctamente instaladas y no necesitan ser reemplazadas.
- Verifique que el control remoto esté emparejado con la base de la cama. Vea la [página 52](#) para más información.

Si el problema no se resuelve, siguiendo las instrucciones anteriores, busque el número de serie de su equipo y llame servicio al cliente de Ergomotion.

Garantía Limitada de 20 Años

Registrarse en línea: <https://warranty.ergomotion.com/warranty>

Por favor, prepare una copia digital de su comprobante de compra (factura o recibo de venta) al registrarse en línea.

2 años de garantía sin problemas

Su base ajustable foundation está garantizada por el fabricante contra defectos de materiales o mano de obra durante un período de dos años a partir de la fecha de entrega al comprador original. Durante ese tiempo, el fabricante reparará o reemplazará, sin costo alguno para el Comprador original, cualquier pieza garantizada que se considere defectuosa por el fabricante, a su sola discreción. Esto incluye todos los costos pre-autorizados de mano de obra y transporte incurridos con la reparación o el reemplazo de cualquier pieza que se encuentre defectuosa.

5 Años de Garantías en Partes

Del año 3 al 5 de la fecha de entrega original, el fabricante reemplazará cualquier parte de la base ajustable que se encuentre defectuosa, al comprador original. La responsabilidad del fabricante se limita a la sustitución de las piezas eléctricas o mecánicas defectuosas * SOLAMENTE con el Comprador responsable de todo el servicio, la instalación y el costo de transporte de dicha(s) parte(s).

Garantía Limitada de 20 Años

No obstante lo anterior, el fabricante extiende una garantía de 20 años sobre piezas de base mecánicas que se encuentran defectuosas en forma limitada como se define aquí. Específicamente, el fabricante garantiza que, durante 20 años completos a partir de la fecha de inicio de esta garantía, se cubrirá cualquier defecto en la mano de obra o los materiales utilizados. Para los propósitos de esta garantía de 20 años, excluye específicamente la cubierta, la plataforma, las piernas, los motores de elevación del actuador, los motores de masaje, la caja de control, los mandos a distancia, la fuente de alimentación y los cables de alimentación. El comprador deberá pagar 1/15 del MSRP actual de la pieza de repuesto, o la totalidad de la base ajustable si se considera irreparable a la sola discreción del fabricante, multiplicado por el número de años después del quinto año a partir de la fecha de entrega original. La responsabilidad del fabricante se limitará a la sustitución de la (s) pieza (s) defectuosa (s) SOLAMENTE con el comprador responsable de todos los gastos de servicio, instalación y flete para dicha parte.

TÉRMINOS Y CONDICIONES ADICIONALES

Esta garantía no incluye reembolso por inconvenientes, remoción, instalación de piezas, montaje de la cama, pérdida de uso, desgaste normal, envío o cualquier otro costo o gasto no expresamente cubierto en esta garantía. Además, esta garantía será nula en las siguientes circunstancias:

- A. Los daños resultantes del mal uso o abuso Comprador o cualquier tercero.
- B. Daños causados por reparaciones o reemplazo de partes por una persona no autorizada.
- C. Daños causados si la base ajustable ha sido mal manejada (incluyendo durante el envío), sujeta a abuso físico o una fuente de alimentación inadecuada, o por no cumplir con el Manual del Propietario y esta garantía.
- D. Colchones dañados, funda (s) de la fundación, tela (s), cables de ropa de cama, cables eléctricos o accesorios suministrados por distribuidores o cualquier tercero. Póngase en contacto con su distribuidor para obtener información sobre la garantía de estos artículos.
- E. Modificación de la base ajustable sin el consentimiento previo por escrito del fabricante.
- F. Costos por llamadas de servicio no autorizadas con el propósito de educar al consumidor sobre la base ajustable o localizar salidas de funcionamiento adecuadas.

Garantía Limitada de 20 Años

- G. Daño si se exceden las restricciones de peso recomendadas.
- H. Daño si se usa en cualquier ambiente o entorno comercial que no estaba previsto.
- I. Esta garantía requiere que se notifique a Ergomotion cualquier reclamación por reparaciones o piezas de repuesto.
- J. Daños a la cubierta de espuma por manejo inadecuado o mal uso.
 - *Partes incluyen lo siguiente:
 - a) Actuador cabeza / pie
 - b) Motores de masaje y vivienda
 - c) Caja de control
 - d) Control remoto
 - e) Cable de alimentación, fuente de alimentación y cable de entrada
 - f) Soportes de montaje
 - g) Soportes de apoyo

EXCEPTO LO EXPRESAMENTE ESTABLECIDO EN ESTE DOCUMENTO Y EN LA MEDIDA PERMITIDA POR LA LEY APLICABLE, ESTA GARANTÍA ES EXCLUSIVA Y EN LUGAR DE TODAS LAS OTRAS GARANTÍAS, REPRESENTACIONES, CONDICIONES O PROMESAS ORALES O ESCRITAS, YA SEAN EXPLÍCITAS O IMPLÍCITAS, Y QUE SE RESULTEN POR LEY, ESTATUTO, CURSO DE NEGOCIACIÓN O USO DE COMERCIO, INCLUYENDO, PERO SIN LIMITARSE A, GARANTÍAS IMPLÍCITAS Y CONDICIONES DE COMERCIABILIDAD, CALIDAD, DURABILIDAD Y / O APTITUD PARA UN PROPÓSITO PARTICULAR. EN LA MEDIDA PERMITIDA POR LAS LEYES APLICABLES, CUALQUIER LAS GARANTÍAS (SI APLICABLES) ESTÁN LIMITADAS EN DURACIÓN A LA DURACIÓN DE ESTA GARANTÍA. EN LA MEDIDA EN QUE LO PERMITA LA LEY APLICABLE, EN NINGÚN CASO EL FABRICANTE SERÁ RESPONSABLE POR CUALQUIER DAÑO ESPECIAL, INCIDENTAL, PUNITIVO, EJEMPLAR, CONSECUENTE, LIQUIDO O SIMILAR, YA SEA NO PREVISIBLE.

Nota: La exclusión arriba mencionada es inaplicable a los consumidores residentes en Quebec, Canada.

En la medida permitida por la ley, esta garantía no es transferible y terminará automáticamente si el Comprador original vende o elimina de otro modo la base ajustable.

Esta garantía otorga al Comprador derechos legales específicos. Otro derechos que varían de jurisdicción a jurisdicción. Además, algunas jurisdicciones no permiten (i) la exclusión de ciertas garantías, (ii) limitaciones en cuanto a la duración de una garantía implícita y / o (iii) la exclusión o limitación de ciertos tipos de costos y / o daños, por lo que las limitaciones anteriores pueden no ser aplicables. Esta garantía sólo es válida en México y Estados Unidos.

Límites de peso:

Este producto no está clasificado para soportar pesos superiores a 750 libras (340 kg) incluido el colchón y la ropa de cama. La base soportará estructuralmente este peso, siempre y cuando se distribuya uniformemente a través de la base del lecho. La base ajustable no está diseñada para soportar o elevar esta cantidad en las secciones de la cabeza o del pie solamente. Exceder esta restricción de peso podría dañar el lecho y / o causar lesiones y anulará la garantía.

US Customer Service

©2024 Ergomotion Inc
V002_10/2025

Phone US 1-888-550-3746
Fax US 1-805-979-9399
Email info@ergomotion.com
Web www.ergomotion.com