

BlueStar's premium all-gas Platinum Series range has been reimaged to include the groundbreaking X-8™ burners and a comprehensively redesigned oven to deliver the exceptional performance home cooks demand.

PRODUCT FEATURES

(*) To 350° in
30" oven

- Exclusive X-8™ star-shaped burner offers unmatched versatility and control on EVERY burner
- Go from extra-high sear - up to 25,000 BTUs - to an ultra-low warm of 500 BTUs on all burners
- Re-engineered oven preheats in 10-minutes*
- Improved convection system runs continuously for even heat distribution and consistent results
- Oversized oven fits commercial-size 18" x 26" baking sheet
- Commercial quality 1850° infrared broiler
- Refined design details elevate the range's premium aesthetic
- Unmatched customization - choose from 1,000+ colors and 7 metal trim finishes
- Handcrafted in Pennsylvania since 1880

SPECIFICATIONS

Range Dimensions: 47 7/8"W x 26 1/2"D x 36"H

Large Oven Interior: 26 1/4"W x 20"D x 16 5/8"H

Small Oven Interior: 14 1/4"W x 20"D x 16 5/8"H

Top Burner Rating: 25,000 BTUs

Simmer Burner Rating: 500 BTUs

Large Oven Burner Rating: 30,000 BTUs

Small Oven Burner Rating: 20,000 BTUs

Infrared Broiler Rating: 15,000 BTUs

Electrical Requirements: 120V, 60Hz, 7 AMPs, 1 PH

(Unit must be on a Non-GFI, dedicated outlet)

Operating Gas Pressure: NAT: 5.0" WC, LP: 10.0" WC

Rec Gas Inlet Pressure: NAT: 6.0" WC, LP 11.0" WC

Gas Line Size: 3/4"

Oven Temperature Range: 150 F - 500 F

Oven Racks: 2 Glide & 1 Standard

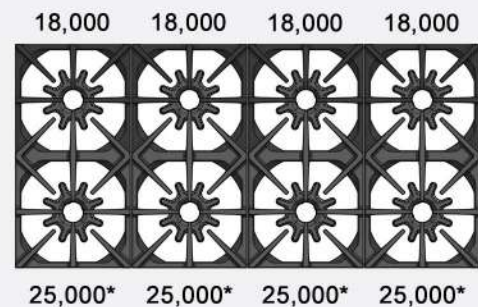


MODEL CONFIGURATION

Eight Burners

BSPGR488B

BURNER CONFIGURATION



(*) 4% less output when configured for LP/Propane

ADDITIONAL CUSTOMIZATION OPTIONS

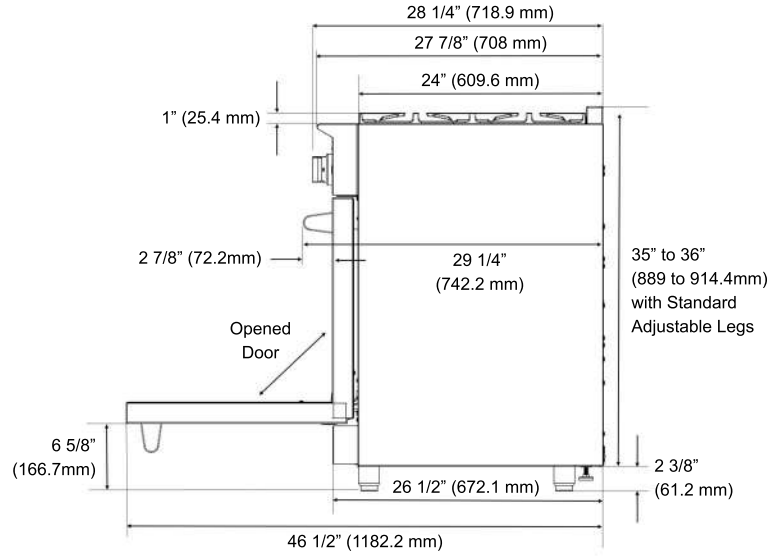
- 1,000+ Colors & Finishes
- Painted Knobs
- Multiple Designer Trim Options

All specifications subject to change without notice. Visit www.bluestarcooking.com for most up to date information prior to installation or site preparation.

FRONT VIEW

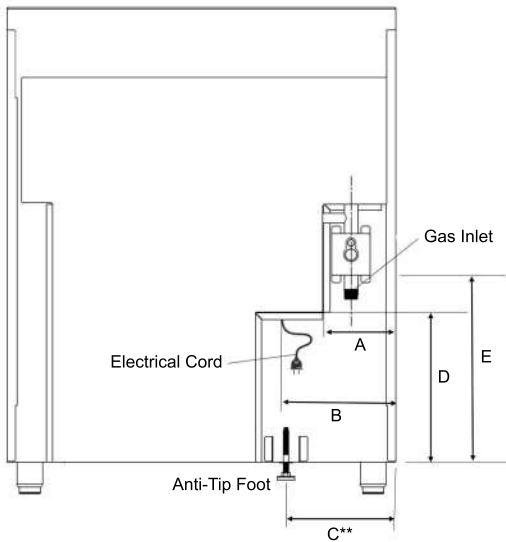


SIDE VIEW



BACK VIEW

Site Preparation



Model	A	B	C**	D	E
BSPGR30	5 1/16" (128.2 mm)	8 5/16" (211.9 mm)	8 7/16" (214.3 mm)		
BSPGR36	8 1/16" (204.4 mm)	11 5/16" (288.1 mm)	11 7/16" (289.8 mm)	11 9/16" (293.4 mm)	12 1/2" (318 mm)
BSPGR48	5 1/16" (128.2 mm)	8 5/16" (211.9 mm)	8 7/16" (214.3 mm)		
BSPGR60	5 1/16" (128.2 mm)	8 5/16" (211.9 mm)	8 7/16" (214.3 mm)		

FRONT VIEW

Cabinet Dimensions

Ventilation recommended for all installations at 30" - 36" (762 - 914.4 mm) above cooktop surface.

