

H 7870 BMX

30" handleless compact speed oven

in a perfectly combinable design with automatic programs and roast probe.



- Large touch display with proximity sensor – M Touch + MotionReact
- Easy cleaning – cavity with linen-weave pattern & PerfectClean
- Faster and more consistent results – Quick & Gentle
- Network-enabled WiFi appliance – Miele@home
- Popcorn in a flash with the popcorn function

EAN: 4002516976851 / Material number: 12842590 /
Old Material Number: 22787066USA

General information	
Model number	H 7870 BMX
Manufacturer material number	12842590
EAN number	4002516976851
Marketing class	Diamond
Construction type and design	
ArtLine	•
Handleless	•
Appliance type and design	
Speed oven	•
3 in 1	Oven, Microwave, Speed oven
Appliance color	Obsidian Black
Convenience features	
Precise oven temperature regulation in °F (°C)	85-475 (30-250)
Quick & Gentle	•
Rapid PreHeat	•
Roast probe	wired
Keep-warm function	•
Crisp Function	•
Operating modes	
Defrost	•
Auto roast	•
Intensive	•
Slow roast	•
Microwave	•
Micro Broil	•
Combi Bake	•
Combi Broil	•
Surround	•
Bake	•
Convection Roast	•
Combi Auto Roast	•
Special modes	•
Maxi Broil	•
Automatic programs	•
User convenience	
MotionReact proximity sensor	•
Networking with Miele@home	•
Control panel	M Touch
SoftOpen	•
MultiLingua	•
MyMiele	•
Show me how	•
Popcorn function	•
Polyphonic acoustic signals	•
Time of day display	•
Time synchronization	•

H 7870 BMX

30" handleless compact speed oven

in a perfectly combinable design with automatic programs and roast probe.



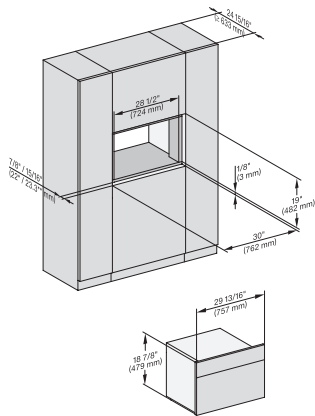
EAN: 4002516976851 / Material number: 12842590 /
Old Material Number: 22787066USA

Date display	•
Minute minder	•
Programming start of cooking duration	•
Programming end of cooking duration	•
Programmable cooking time	•
Actual temperature display	•
Audible signal when desired temperature is reached	•
Default temperature	•
Recommended microwave power	•
Minute Plus button	•
Favorites	•
Individual settings	•
Efficiency	
Automatic residual heat utilization	•
Cleaning convenience	
Stainless-steel cavity with linen surface structure	•
Foldable broil heater element	•
CleanGlass door	•
Safety	
Appliance cooling system and cool touch front	•
Safety cut-out	•
System lock	•
Sensor lock	•
Technical data	
Cavity volume in cu.ft (l)	1.52 (43)
No. of rack levels	3
Appliance dimensions (W x H x D) in inches (mm)	29 3/4 (757) x 18 7/8 (479) x 22 1/2 (573)
Oven interior lighting	1 LED spot
Plug type	NEMA plug: 14-30
Electronically controlled microwave power	•
Microwave power levels	1 - 7
Niche dimensions (W x H x D) in inches (mm)	28 1/2 (724)-28 1/2 (724) x 18 1/2 (470)-18 5/8 (472) x 24 (610)
Niche width min. in inches (mm)	28 1/2 (724)
Niche width max. in inches (mm)	28 1/2 (724)
Niche height min. in inches (mm)	18 1/2 (470)
Niche height max. in inches (mm)	18 5/8 (472)
Niche depth in in. (mm)	24 (610)
Weight in lbs. (kg)	100.31 (45.5)
Total connected load in kW	4.00
Power Rating in V	120
Voltage in V	240/208
Frequency in Hz	60
Fuse rating in A	30
Number of phases	1
Length of power cord in m	1.80

H 7870 BMX

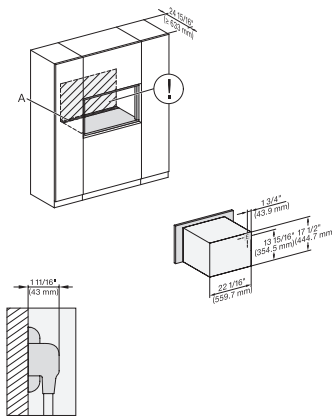
30" handleless compact speed oven

in a perfectly combinable design with automatic programs and roast probe.



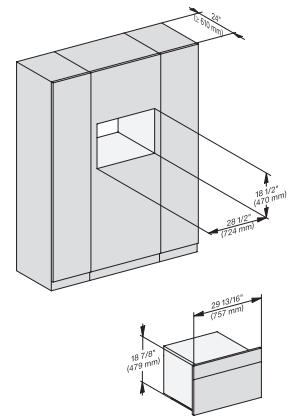
installation 30 inch Flush inset BM30, installation drawing, NA

7/8" – 22* mm – Glas, 15/16" – 23.3** mm – Edelstahl

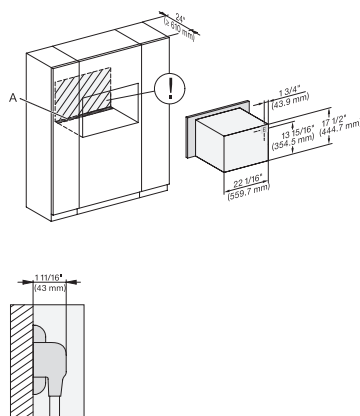


installation 30 inch Flush inset BM30, installation drawing, NA

A – Cut-out (4" x 28" / 100 mm x 720 mm) in the bottom of the cabinet for power cord and ventilation, – Electrical and water supplies are recommended to be placed in adjacent cabinetry, Additional cabinet depth is required when placing the electrical and water supplies behind the appliance., E = Electric connection



installation 30 inch Proud BM30, installation drawing, NA



installation 30 inch Proud BM30, installation drawing, NA

A – Cut-out (4" x 28" / 100 mm x 720 mm) in the bottom of the cabinet for power cord and ventilation, – Electrical and water supplies are recommended to be placed in adjacent cabinetry, Additional cabinet depth is required when placing the electrical and water supplies behind the appliance., E = Electric connection