

RF80H30CER

SAMSUNG

29 cu. ft. 3-Door French Door Refrigerator with AutoView™ and Zero Clearance Fit in Stainless Steel



Available Color



Fingerprint Resistant
Stainless Steel
RF80H30CER

Design

- Zero clearance fit
- AutoView™
- 28.5 cu. ft. Capacity
- Full Depth and Counter Depth Available
- New Tall External Filtered Water and Ice Dispenser
- Fingerprint Resistant Finish
- New Bar Handles
- ADA Compliant

Technology

- Wi-Fi Enabled
- Power Cool & Power Freeze
- Door Alarm
- Water Filter Indicator

Performance

- AI Energy Mode*
- Four Ice Types: Sphere Ice™, Half Sphere Ice™**, Curved Ice and Crushed Ice

*Available on Android and iOS devices. A Wi-Fi connection and a Samsung account are required.

**Ice settings must be selected in the SmartThings App available on Android and iOS devices. A Wi-Fi connection and a Samsung account are required.

Additional Specifications

Refrigerator: 19.8 cu. ft.

- 1 Slide-In Shelf, 3 Tempered Glass Spill-Proof Shelves
- Full-Width Drawer
- 2 Clear Drawers
- 5 Door Bins with 1 Gallon Door Bin
- Top LED Lighting

Freezer: 8.7 cu. ft.

- LED Lighting

Accessories

- Water Filter: HAF-QIN/EXP

Rating



ENERGY STAR® rated:
764 kWh/yr

Dimensions

Product Dimensions & Weight

Dimensions (WxHxD with hinges, handles and doors):
35⁷/₈" x 70¹/₄" x 34"

Dimensions (WxHxD without hinges and door):
35⁷/₈" x 68⁷/₈" x 29⁷/₁₆"

Dimensions (WxHxD with hinge and door, no handle):
35⁷/₈" x 70¹/₄" x 31¹⁵/₁₆"

Weight: 337.3 lbs

Shipping Dimensions & Weight

Dimensions: 37⁵/₇" x 75⁵/₈" x 34"

Weight: 346.1 lbs

Warranty

One (1) Year Parts and Labor on Refrigerator
Five (5) Years Parts and Labor on Sealed Refrigeration System Only*
Ten (10) Years Parts and Five (5) Years Labor on Digital Inverter Compressor

*Compressor, evaporator, condenser, drier and connecting tubing.

UPC

Color	Model #	UPC Code
Fingerprint Resistant Stainless Steel	RF80H30CER	198957277863

RF80H30CER

SAMSUNG

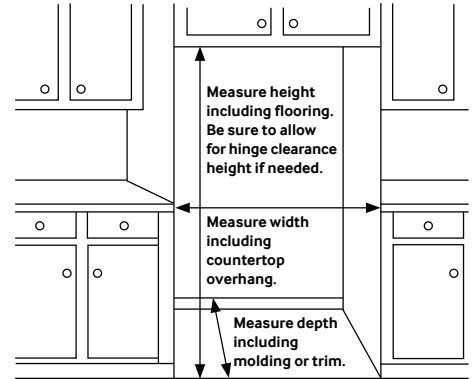
29 cu. ft. 3-Door French Door Refrigerator with AutoView™ and Zero Clearance Fit in Stainless Steel

Installation Specifications

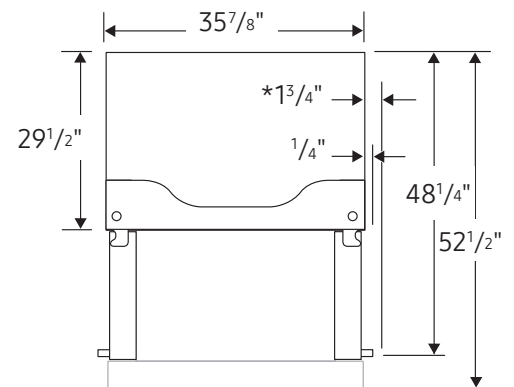
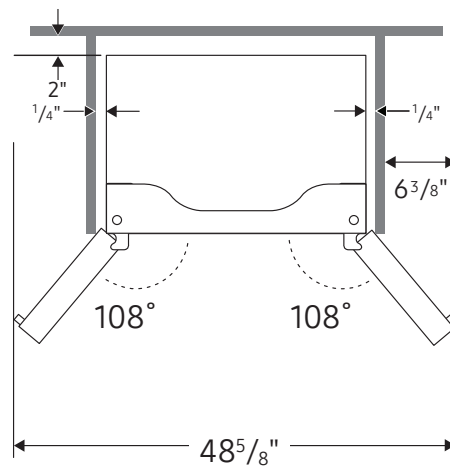
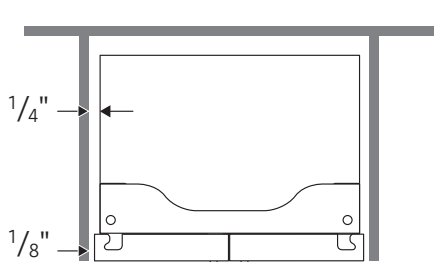
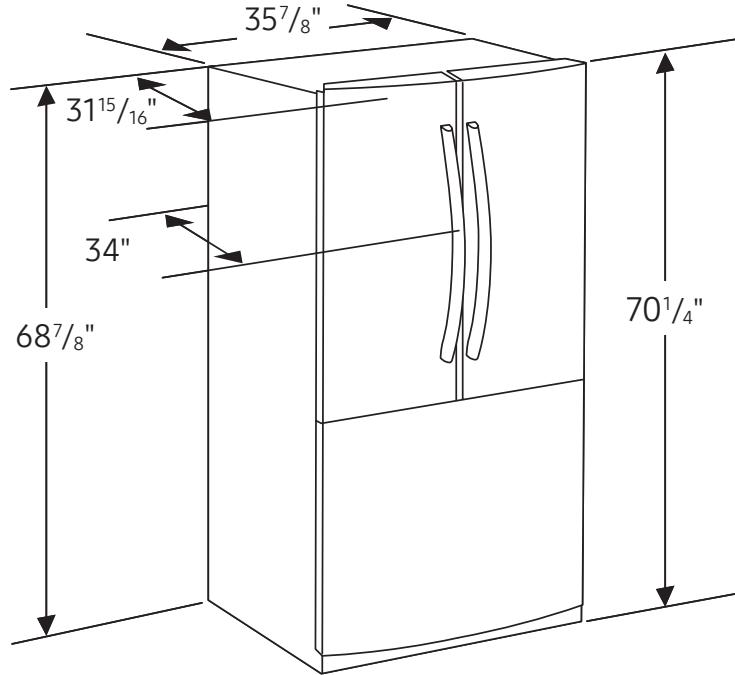
1. Measure the height, width and depth of the opening, making sure to include baseboards, molding tile, countertop overhang, etc. Check to be sure there is enough room to open the door (consider walls, islands or other obstacles when measuring).
2. Refer to illustrations below to determine dimensions.
3. Allow 1/8" (4mm) of clearance on hinge side of refrigerator when installing next to a wall where handle may make contact.
4. Allow 2" minimum clearance at rear for proper air circulation and water/electrical connections. Allow a 3/8" minimum clearance at top for ease of installation.
5. Ensure each door and entryway in the home is wide enough for the refrigerator to be moved through easily.

For optimal usage and ability to open refrigerator doors completely, do not install next to a wall.

Please note: The following dimensions and cutout information is for planning purposes only. For complete installation details, consult manual packed with product or download manual online at samsung.com.



Dimensions



*If installing the product against a wall, please ensure there is no interference when the door opens.

