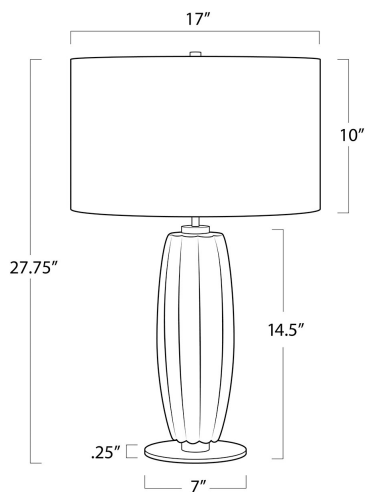


REGINA ANDREW

DETROIT

SPECIFICATION SHEET

Crocus Ceramic Table Lamp (White) 13-1709WT



| | |
|---------------------|--------------------------|
| HEIGHT | 27.75 |
| WIDTH | 17 |
| DEPTH | 17 |
| SHADE DIMS | 17 x 17 x 10 |
| SHADE COLOR | Natural Linen |
| BULB QTY | 1 |
| BULB TYPE | A Type Medium Base (E26) |
| SOCKET | E26 3-Way Cast Turn Knob |
| WATTAGE | 3-Way 150 Watt Max |
| WIRING TYPE | Standard |
| MATERIAL | Ceramic |
| FINISH | White |
| NOTES | 8 ft of cord |
| FREIGHT ONLY | No |