

MAHJONG TABLE

M4005



DISTRICT EIGHT

CARE INSTRUCTIONS

Thank you for purchasing a piece of District Eight furniture. To make sure the design you have chosen remains looking its best please follow these care instructions.

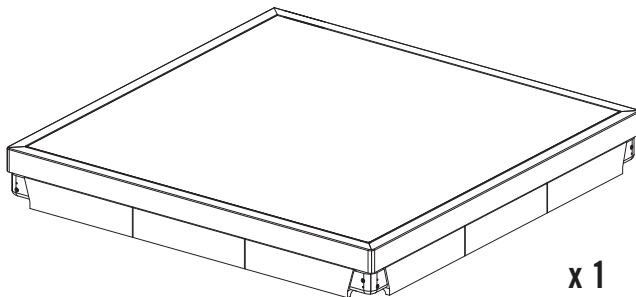
Metal and wood components can be cleaned using a clean cloth and if you feel it is needed, use Pledge or any other wax based furniture polish to restore your furniture's lustre.

The fabric should only be cleaned with a solvent or water-free product, like a dry-clearing solvent. Use just a little and make sure you have plenty of ventilation.

www.districteight.com

SUPPLIED COMPONENTS

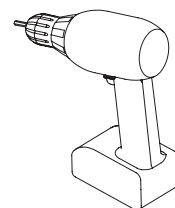
THE HARDWARE SET ASSEMBLY IS PLACED IN BOX (THE TABLE TOP BOX) AT THE POSITION MARKED WITH RED TAPE.



TOOLS NEEDED



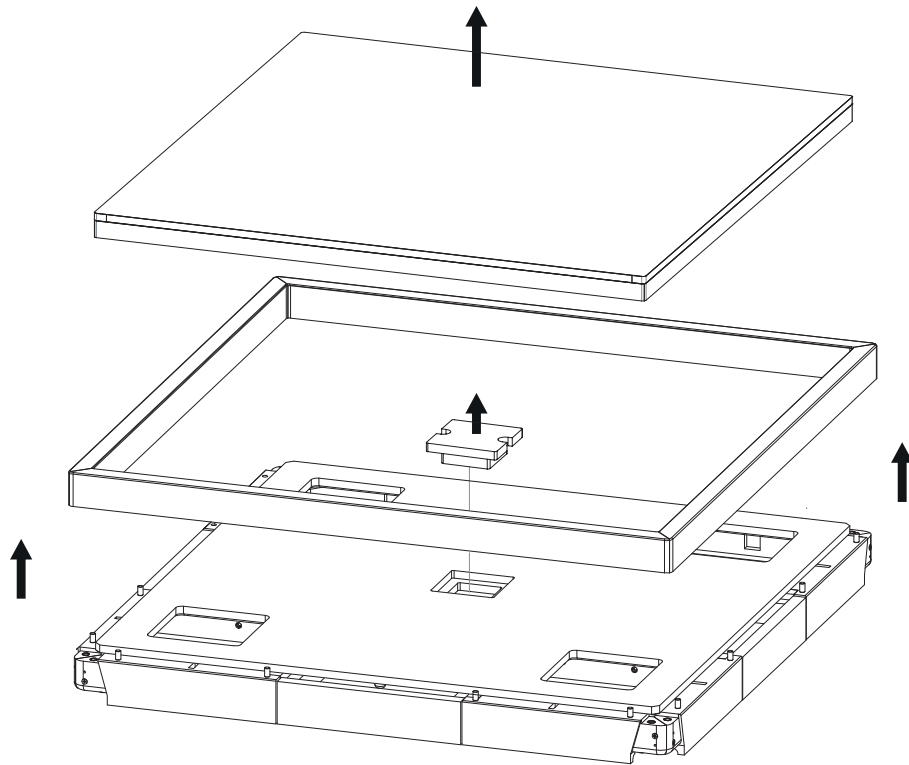
RECOMMENDED TOOLS



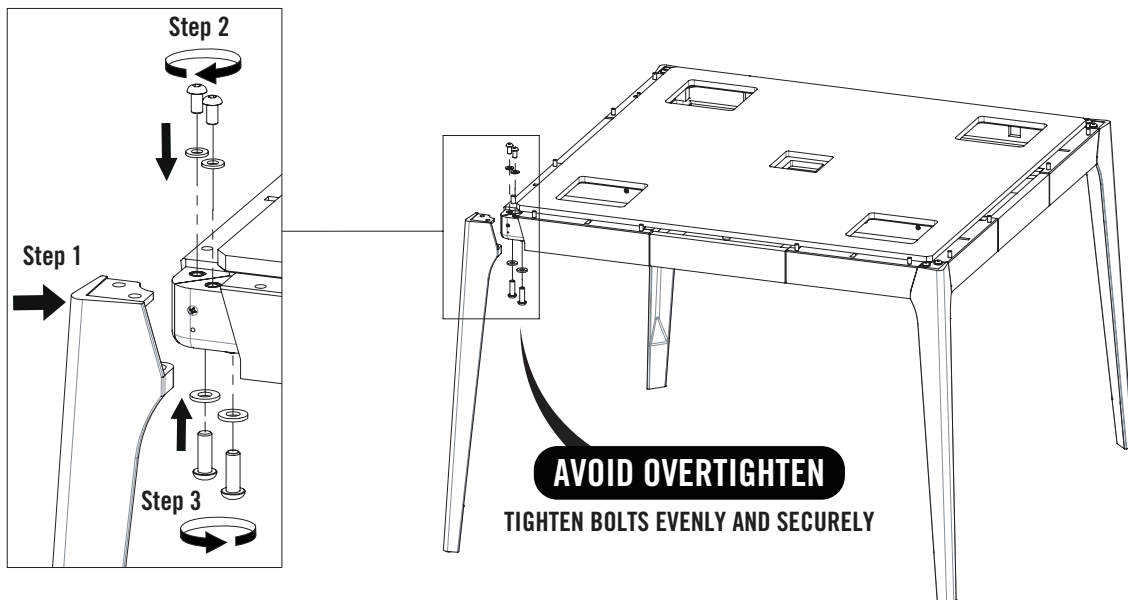
DISTRICT EIGHT

ASSEMBLY STEPS

1



2



Step 1: Put the leg into right position at the corner

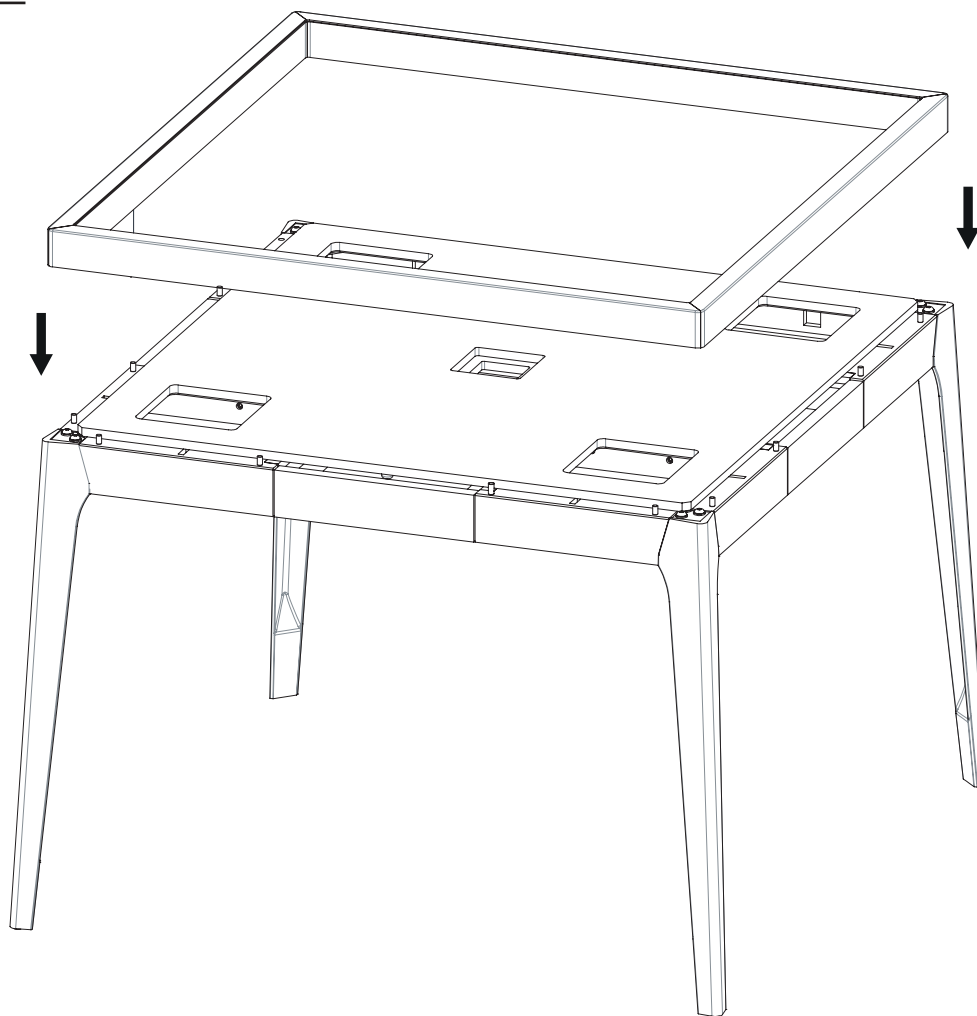
Step 2: Insert bolt M8 x 16 but **do not tighten**

Step 3: Add bolt M10 x 30. Then tighten the bolts M8 x 16 before tighten the bolts M10 x 30

DISTRICT EIGHT

ASSEMBLY STEPS

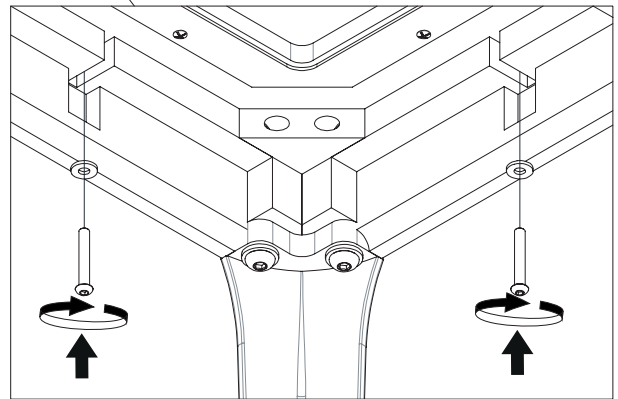
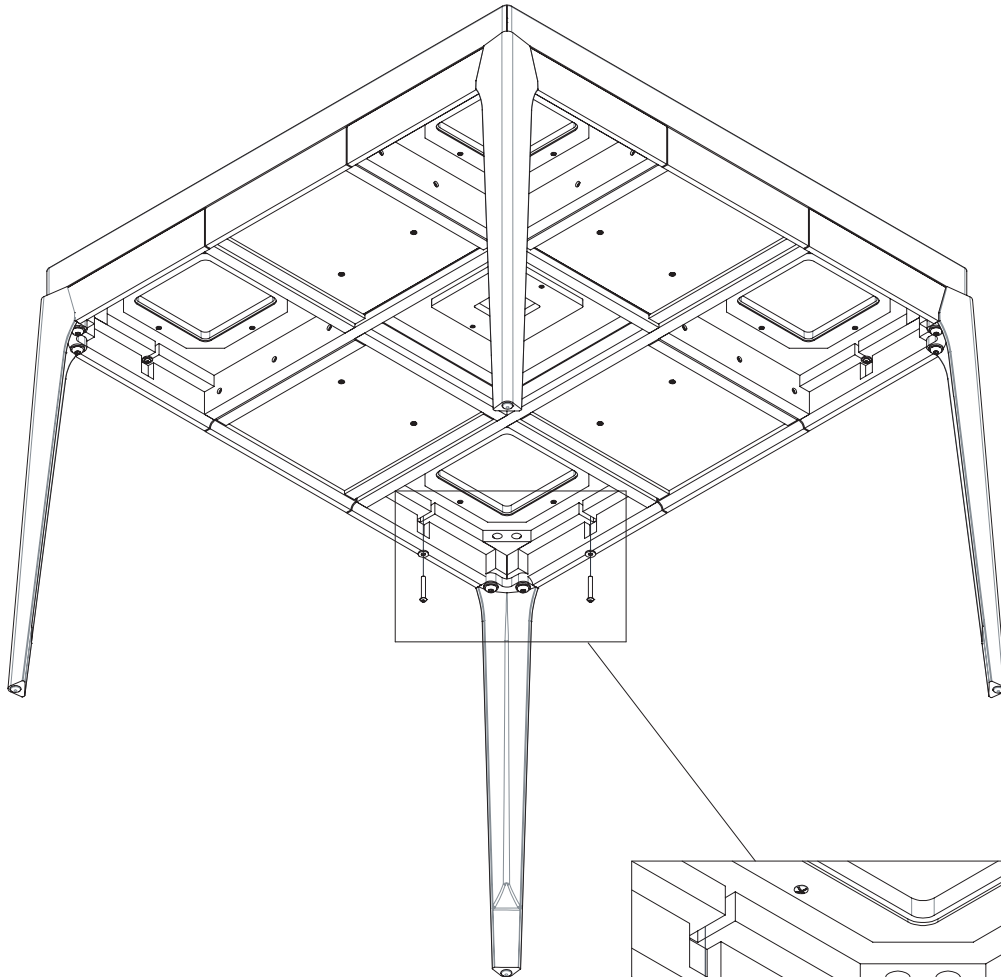
3



DISTRICT EIGHT

ASSEMBLY STEPS

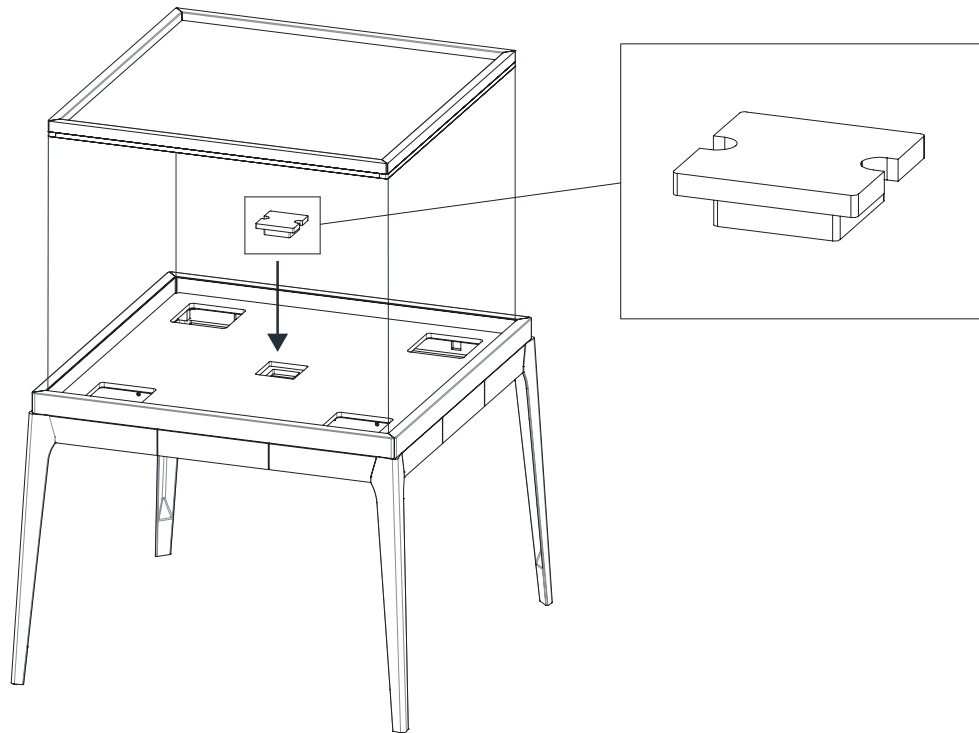
- 4  x 8
M6 x 30
-  x 8
OD18, ID6
- 
4 mm



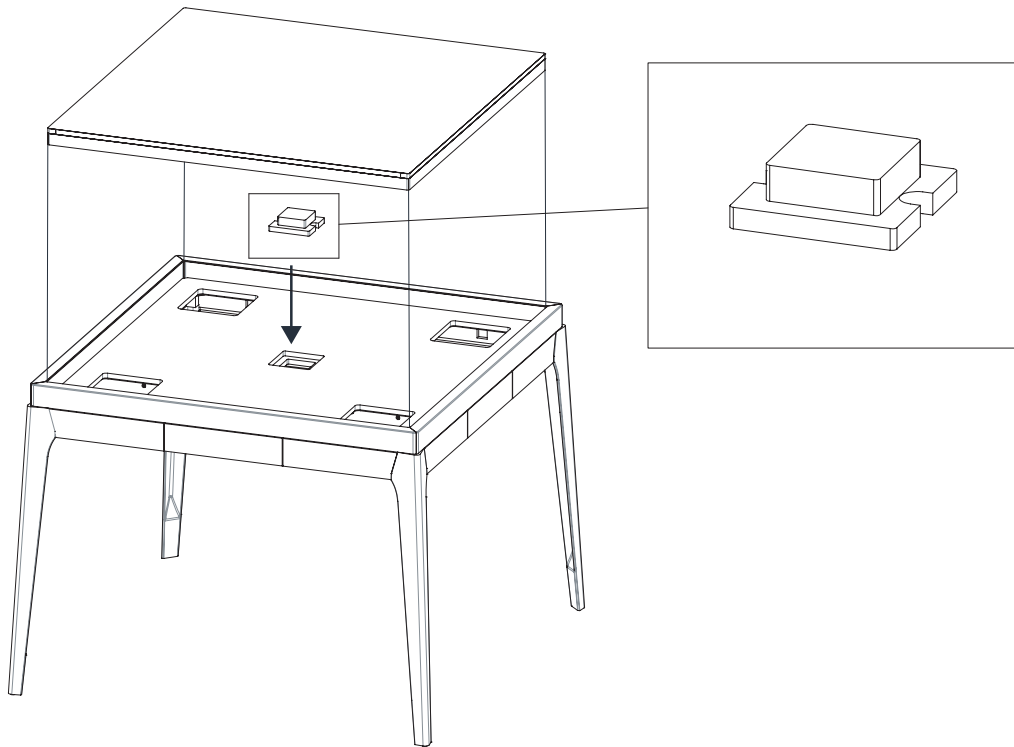
BOTTOM VIEW

ASSEMBLY STEPS

5 — Mahjong game table mode



Mahjong dining table mode



ASSEMBLY STEPS

6 — Mahjong game table mode



Mahjong dining table mode

