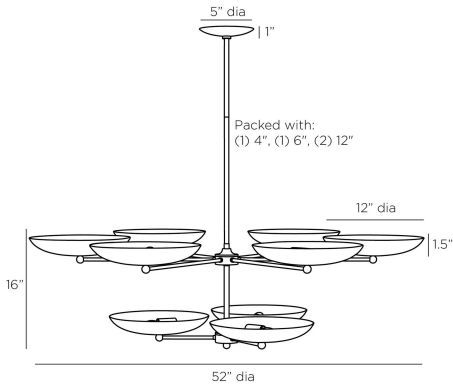


# ARTERIOS

## GRIFFITH TWO TIERED CHANDELIER



DLC20  
Bronze, Steel

The new two-tiered Griffith chandelier provides a bold presence in any room. Inspired by the grand public spaces of the mid-century era, this architectural chandelier is designed with bronze shades accented by a contrasting antique brass finished steel frame. This fixture's upward facing plates reflect light, creating a warm, even glow. Certified for damp locations and intended for interior use. Finish will vary.

### APPEARANCE

Materials	Steel, Steel, Steel
Finishes	Bronze, Antique Brass, White
Finish Will Vary	No
Top Coat/Sealant	Yes

### DIMENSIONS

Overall	Dia: 52.0 in x H: 21 in
Shade	Dia: 12.0 in x H: 1.5 in
Canopy	Dia: 5.0 in x H: 1 in
Chandelier	Dia: 52.0 in x H: 16 in
Overall Hanging Height as Sold (in)	51 in - 21 in

### WIRING

Wire Rating	Damp
Cord	10 FT, Clear/Silver, SVT
Socket	9, Type B - E12
Suggested Bulb Type	B10
Maximum Wattage	60.0
Voltage	110-120 V

### CERTIFICATIONS & COMPLIANCY

Certifications	Middle East, European Union, United Kingdom, Australia, Mexico, United States, Canada
Compliance	RoHS, UL/ETL, CB

### SHIPPING

Shipping Requirements	Truck Ship
Product Weight	19.0 lbs
Gross Weight 1	34.0 lbs
Shipping Box 1	W: 49.4 in x D: 54.3 in x H: 11.0 in

### CONTRACT

Contract Suitability	Contract Suitable As Is
----------------------	-------------------------

### SLOPE CEILING COMPATIBILITY

Sloped Ceiling Compatible	No, is not compatible
---------------------------	-----------------------

### COMPONENTS

Pipe or Chain Included	(1) 4", (1) 6", (2) 12" Pipes
------------------------	-------------------------------

### ADDITIONAL PARTS AVAILABLE

PIPE-504	(1) 4", (1) 6", (1) 12"
----------	-------------------------

### REPLACEMENT PARTS

CANOPY-656
------------