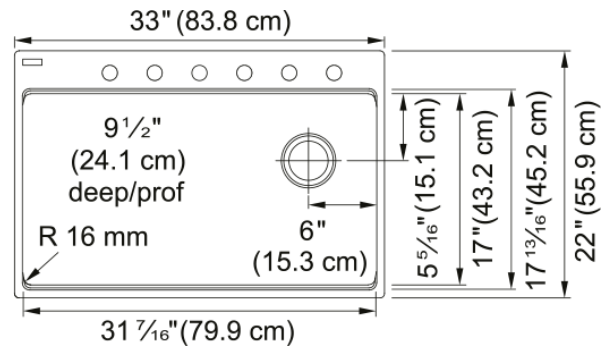


Maris Dual Mount Sink - MAG61031OW-PWT | 114.0637.881



33-in. x 22-in. Dual Mount Fraganite Single Bowl Kitchen Sink in Polar White. The large capacity 9 1/2" deep bowl provides a generous workspace for dishes and large cookware. The accessory rail system supports optional accessories and turns the sink into a functional workstation. Scratch resistant, fade resistant and impact resistant to retain its new appearance for years. The rear offset drain maximizes the usable surface of the bowl and creates extra cabinet space beneath the sink.

Aspect

Sink type	Sink
Type of material	Fragranite
Number of bowls	1
Product color	Polar white
Surface finish	None

Product Dimensions

Length (right to left)	33
Width (front to back)	22
Large bowl size: right to left	31.457
Large bowl size: front to back	17.154
Large bowl: depth	9.5

Installation

Minimum cabinet size	36"
----------------------	-----

Product specifications

Installation type	Topmount / drop in
Installation type	Undermount
Drain hole	3 1/2"
Position of drainer	No drainer
Active Twist Compatibility	No
Installation device	Fast-Fix Clips

Product identification

Brand	FRANKE
Product family	Maris
Collection	Maris
Certified by	CUPC

Features

Drainers number	No drainer
Product reversibility	No
Faucet ledge	Yes
Strainer assembly included	No
Strainer Assembly	No waste kit
Overflow	No
Number of faucet holes	6 - pre-scored
Soap dispenser hole	No