



# Designer Series Undercounter Ice Maker Design Guide

REVISED 4/2026



Designer Series Undercounter Ice Maker

MODELS

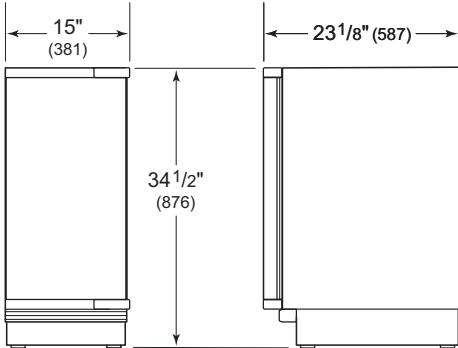


DEU1550I  
DEU1550IP

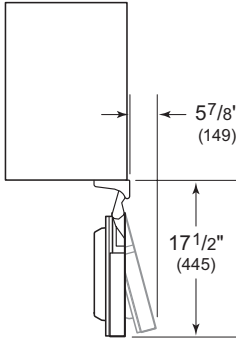


## Overall Dimensions

### ICE MAKER



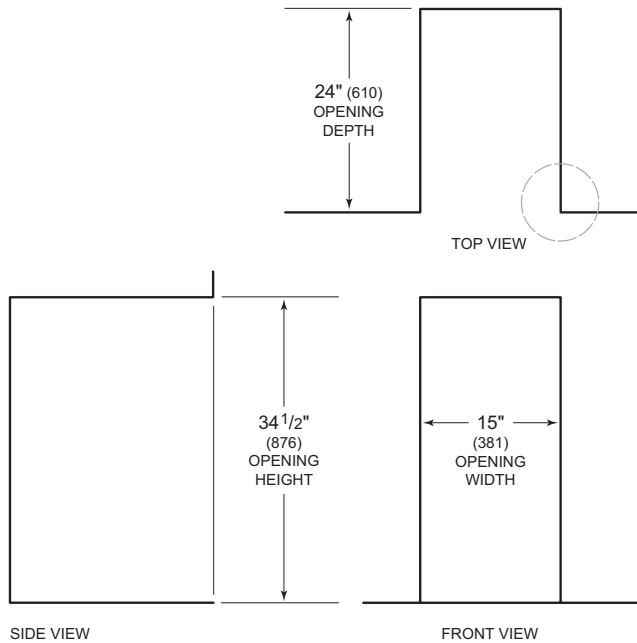
HEIGHT DIMENSIONS ± 1/2" (13)



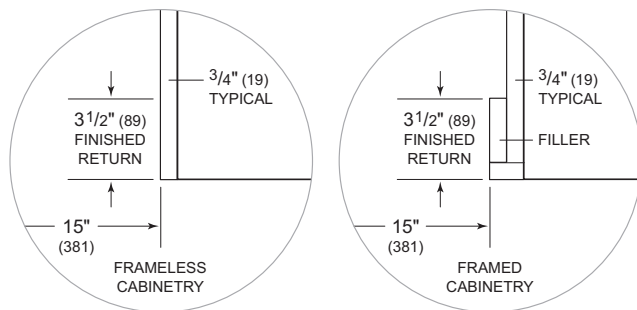
**IMPORTANT NOTE:** Overall dimensions do not include panels or handles. Dimensions will vary with panel thickness.

## Opening Dimensions

### ICE MAKER



NOTE: 3 1/2" (89) finished returns will be visible and should be finished to match cabinetry.



The depth of each model is 23 1/8" (587). Allow for panel thickness when planning the finished opening depth. A minimum 3 1/2" (89) finished return is required on all sides of the opening. Framed cabinets require additional finished filler material behind the face frame for a proper installation. Refer to the illustration above.

### DUAL INSTALLATION

If two units are installed side by side, a dual installation kit may be required. Installations without a custom filler strip require a dual installation kit. If a dual installation kit is not specified, a 2" (51) filler strip is recommended between the units. Dual installations without a filler strip can only be accomplished using two units with opposite hinges. Refer to the illustrations below.

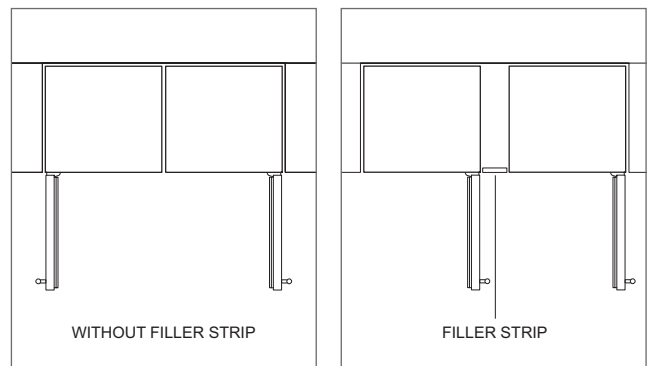
Dual installation kits are available through an authorized Sub-Zero dealer. For local dealer information, visit the find a showroom section of our website, [subzero.com](http://subzero.com). For questions regarding the installation, call Sub-Zero Customer Care at 800-222-7820.

### DUAL OPENING WIDTH

W

Two 15" Models	30" (762)
15" and 24" Models	39" (991)

Dual installation kit required.



Opposite hinges

Same side hinges

## Electrical Requirements

For ease of installation, the electrical supply can be placed in an adjacent cabinet within reach of the power cord. If the electrical supply is located inside the opening, it must be within the shaded area shown in the illustration below.

**IMPORTANT NOTE:** For indoor installations, a ground fault circuit interrupter (GFCI) is not recommended and may cause interruption of operation.

For outdoor installations, a ground fault circuit interrupter (GFCI) is required to reduce the risk of electrical shock.

Installation must comply with all applicable electrical codes.

### ⚠ CAUTION

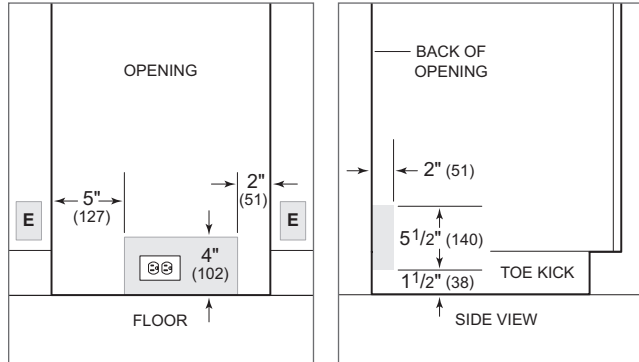
The outlet must be checked by a qualified electrician to be sure it is wired with the correct polarity. Verify the outlet is properly grounded.

### ⚠ WARNING

Do not use an extension cord, two-prong adapter, or remove the power cord ground prong.

### ELECTRICAL REQUIREMENTS

Electrical Supply	115 VAC, 60 Hz
Service	15 amp dedicated circuit
Receptacle	3-prong grounding-type



Electrical location

Electrical routing

## Plumbing Requirements

For ease of installation, recess the water shut off into the wall or place it in an adjacent cabinet. Locate the water supply line within the shaded area shown in the illustration below. Connect the water supply line to the house supply with an easily accessible shut-off valve. Do not use self-piercing valves.

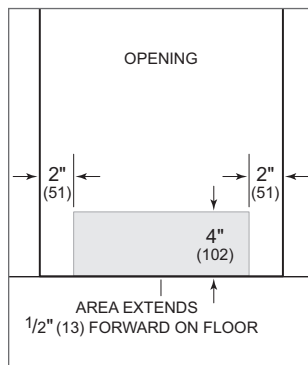
An in-line filter is required when water conditions have a high sediment content.

Sub-Zero suggests using a reverse osmosis or soft-cold water supply, provided there is a constant 35–80 psi (2.4–5.5 bar) supplied to the unit at all times. A copper line is not recommended for a reverse osmosis water supply.

Installation must comply with all applicable plumbing codes.

### PLUMBING REQUIREMENTS

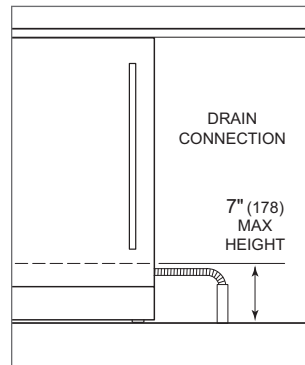
Water Connection	6' (1.8 m) plastic tubing with 1/4" compression union
Drain Connection	10' (3 m) corrugated tubing
Water Pressure	35–80 psi (2.4–5.5 bar)
Water Temperature	40–100°F (4–38°C)



Water supply location

## Drain Connection

**IMPORTANT NOTE:** For gravity drain models only, the drain connection and all excess drain tubing (behind the unit or in an adjacent cabinet) cannot exceed 7" (178) above the bottom of the leveling legs. For ease of installation, decrease the length of the drain tubing to the shortest length possible. Refer to the illustration below.



Drain connection

## Stainless Steel Panel

Stainless steel panels are available through an authorized Sub-Zero dealer. Stainless steel panels include a stainless steel kickplate cover. Outdoor installations require the use of a Sub-Zero stainless steel outdoor accessory panel. For local dealer information, visit the find a showroom section of our website, subzero.com.

Minimum 1/8" (3) reveals are required.

## Custom Panel

For the Designer Series Undercounter Ice Maker, a custom door panel and handle hardware must be provided. Refer to the charts for panel requirements and dimensions.

The panel cannot exceed the maximum panel weight indicated in the chart below. The depth of each model is 23 1/8" (587). Allow for panel thickness when planning the finished opening depth.

### ⚠ CAUTION

**As reveals between cabinetry and the unit decrease, severe finger pinching can occur while the door is closing.**

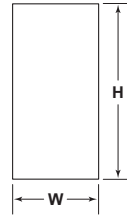
Finish all sides of the custom panel. They may be visible when the door is open.

A D-style handle is recommended. Locate the door handle near the edge of the panel opposite the hinge and centered top to bottom. Stainless steel tubular and pro handles are available through an authorized Sub-Zero dealer. For local dealer information, visit the find a showroom section of our website, subzero.com.

### PANEL REQUIREMENTS

Panel Weight	15 lb (7 kg) max
Panel Thickness	5/8" (16) min – 3/4" (19) max

## TYPICAL PANEL DIMENSIONS



### PANEL DIMENSIONS

SINGLE INSTALLATION	W	H
Ice Maker	14 3/4" (375)	30 3/8" (772)

### DUAL INSTALLATION

For dual installations, refer to the chart below for typical panel dimensions.

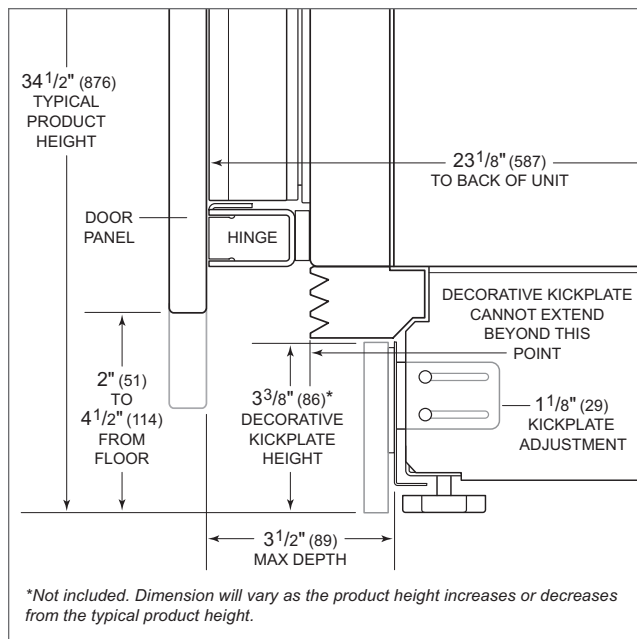
### PANEL DIMENSIONS

DUAL INSTALLATION	W	H
Ice Maker	14 13/16" (376)	30 3/8" (772)

## Custom Panel

### TOE KICK CLEARANCE

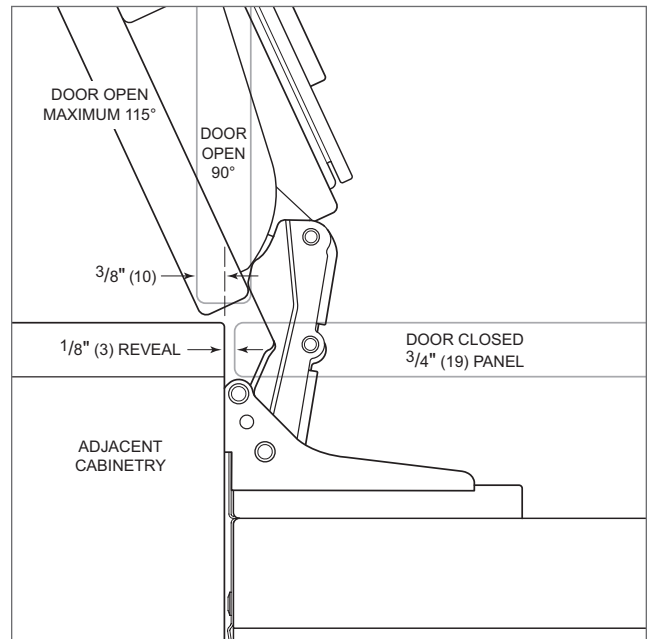
The height of the toe kick area can extend beyond the typical toe kick height, provided it does not exceed the dimensions in the illustration below. For questions regarding the installation, call Sub-Zero Customer Care at 800-222-7820.



Toe kick clearance (side view)

### MAXIMUM DOOR OPENING

As the panel width and/or depth increases, so does the potential for panel interference. Interference may be minimized by using the 90° door stop.



Maximum door opening (top view)

## Standard Handles

Optional stainless steel tubular and pro handles are available through an authorized Sub-Zero dealer. For local dealer information, visit the find a showroom section of our website, [subzero.com](http://subzero.com).

Refer to the chart below for standard handle lengths for the Designer Series Undercounter Ice Maker.

### HANDLE LENGTH

Tubular Handle	24 <sup>3</sup> / <sub>16</sub> " (614)
Pro Handle	22 <sup>1</sup> / <sub>2</sub> " (572)

Sub-Zero, Sub-Zero & Design, Sub-Zero & Snowflake Design, Dual Refrigeration, The Living Kitchen, Great American Kitchens The Fine Art of Kitchen Design, Wolf, Wolf & Design, Wolf Gourmet, W & Design, red colored knobs, Cove, and Cove & Design are registered trademarks and service marks of Sub-Zero Group, Inc. and its subsidiaries. All other trademarks are property of their respective owners in the United States and other countries.

## Sub-Zero Residential Limited Warranty

### FOR RESIDENTIAL USE

#### FULL TWO YEAR WARRANTY\*

For two years from the date of original installation, this Sub-Zero product warranty covers all parts and labor to repair or replace, under normal residential use, any part of the product that proves to be defective in materials or workmanship. All service provided by Sub-Zero under the above warranty must be performed by Sub-Zero Factory Certified Service, unless otherwise specified by Sub-Zero, Inc. Service will be provided during normal business hours.

#### FULL FIVE YEAR SEALED SYSTEM WARRANTY

For five years from the date of original installation, this Sub-Zero product warranty covers all parts and labor to repair or replace, under normal residential use, these parts that prove to be defective in materials or workmanship: compressor, condenser, evaporator, drier and all connecting tubing. All service provided by Sub-Zero under the above warranty must be performed by Sub-Zero Factory Certified Service, unless otherwise specified by Sub-Zero, Inc. Service will be provided during normal business hours.

#### LIMITED TWELVE YEAR SEALED SYSTEM WARRANTY

For twelve years from the date of original installation, Sub-Zero will repair or replace the following parts that prove to be defective in materials or workmanship: compressor, condenser, evaporator, drier and all connecting tubing. If the owner uses Sub-Zero Factory Certified Service, the service provider will repair or replace these parts with the owner paying for all other costs, including labor. If the owner uses non-certified service, the owner must contact Sub-Zero, Inc. (using the information below) to receive repaired or replacement parts. Sub-Zero will not reimburse the owner for parts purchased from non-certified service or other sources.

#### TERMS APPLICABLE TO EACH WARRANTY

The warranty applies only to products installed for normal residential use. The warranty applies only to products installed in any one of the fifty states of the United States, the District of Columbia or the ten provinces of Canada. This warranty does not cover any parts or labor to correct any defect caused by negligence, accident or improper use, maintenance, installation, service or repair.

**THE REMEDIES DESCRIBED ABOVE FOR EACH WARRANTY ARE THE ONLY ONES THAT SUB-ZERO, INC. WILL PROVIDE, EITHER UNDER THIS WARRANTY OR UNDER ANY WARRANTY ARISING BY OPERATION OF LAW. SUB-ZERO, INC. WILL NOT BE RESPONSIBLE FOR ANY CONSEQUENTIAL OR INCIDENTAL DAMAGES ARISING FROM THE BREACH OF THIS WARRANTY OR ANY OTHER WARRANTY, WHETHER EXPRESS, IMPLIED OR STATUTORY.**

Some states do not allow the exclusion or limitation of incidental or consequential damages, so the above limitation or exclusion may not apply to you. This warranty gives you specific legal rights and you may also have other legal rights that vary from state to state.

To receive parts and/or service and the name of Sub-Zero Factory Certified Service nearest you, contact Sub-Zero, Inc., P.O. Box 44848, Madison, WI 53744; check the Product Support section of our website, [subzero.com](http://subzero.com), email us at [customerservice@subzero.com](mailto:customerservice@subzero.com), or call 800-222-7820.

\*Stainless steel (doors, panels, handles, product frames and interior surfaces) are covered by a limited 60-day parts and labor warranty for cosmetic defects.

\*Replacement water filters and air purification cartridges are not covered by the product warranty.



## Sub-Zero Outdoor Limited Warranty\*

### FOR RESIDENTIAL USE

#### FULL ONE YEAR WARRANTY\*\*

For one year from the date of original installation, this Sub-Zero product warranty covers all parts and labor to repair or replace, under normal residential use, any part of the product that proves to be defective in materials or workmanship. All service provided by Sub-Zero under the above warranty must be performed by Sub-Zero Factory Certified Service, unless otherwise specified by Sub-Zero, Inc. Service will be provided during normal business hours.

#### FULL FIVE YEAR SEALED SYSTEM WARRANTY

For five years from the date of original installation, this Sub-Zero product warranty covers all parts and labor to repair or replace, under normal residential use, these parts that prove to be defective in materials or workmanship: compressor, condenser, evaporator, drier and all connecting tubing. All service provided by Sub-Zero under the above warranty must be performed by Sub-Zero Factory Certified Service, unless otherwise specified by Sub-Zero, Inc. Service will be provided during normal business hours.

#### TERMS APPLICABLE TO EACH WARRANTY

The warranty applies only to products installed for normal residential use. The warranty applies only to products installed in any one of the fifty states of the United States, the District of Columbia or the ten provinces of Canada. This warranty does not cover any parts or labor to correct any defect caused by negligence, accident or improper use, maintenance, installation, service or repair.

**THE REMEDIES DESCRIBED ABOVE FOR EACH WARRANTY ARE THE ONLY ONES THAT SUB-ZERO, INC. WILL PROVIDE, EITHER UNDER THIS WARRANTY OR UNDER ANY WARRANTY ARISING BY OPERATION OF LAW. SUB-ZERO, INC. WILL NOT BE RESPONSIBLE FOR ANY CONSEQUENTIAL OR INCIDENTAL DAMAGES ARISING FROM THE BREACH OF THIS WARRANTY OR ANY OTHER WARRANTY, WHETHER EXPRESS, IMPLIED OR STATUTORY.**

Some states do not allow the exclusion or limitation of incidental or consequential damages, so the above limitation or exclusion may not apply to you. This warranty gives you specific legal rights and you may also have other legal rights that vary from state to state.

To receive parts and/or service and the name of Sub-Zero Factory Certified Service nearest you, contact Sub-Zero, Inc., P.O. Box 44848, Madison, WI 53744; check the Product Support section of our website, [subzero.com](http://subzero.com), email us at [customerservice@subzero.com](mailto:customerservice@subzero.com), or call 800-222-7820.

\*Product must be approved for outdoor use, designated by model and serial number.

\*\*Stainless steel (doors, panels, handles, product frames and interior surfaces) are covered by a limited 60-day parts and labor warranty for cosmetic defects.

\*\*Replacement water filters are not covered by the product warranty.





[SUBZERO.COM](http://SUBZERO.COM)