

RFD36FZNX

FREESTANDING COUNTER-DEPTH FRENCH DOOR REFRIGERATOR 36"
STAINLESS STEEL FINISH



Energy Star rated with a generous 26.2 cu.ft capacity, ideal for meeting the preservation needs of large families.

Precise temperature and humidity provided by dual air-cooling flow with independent no-frost systems for the refrigerator and freezer compartments.

Dual crispers allow separate storage of fruits, vegetables, and other fresh produce to maintain peak freshness. Gallon-sized door bins offer practical organization for bottles, jars, cans, and quick-access items.

Internal automatic ice-maker with a daily production capacity of 2.6 lbs and a removable tray. Internal water dispenser with inline carbon filter for clean, hygienic drinking water and ice.

Overhead and side ambient LED lighting provides bright, elegant illumination throughout the interior.

Digital LED touch interface with intuitive controls for temperature settings, Super Cool, Super Freeze, ice maker, and water filter reset. Super Freeze function delivers 20% faster freezing performance for rapid preservation.

Flat-front brushed stainless steel doors combine sleek and timeless aesthetics with long-lasting durability. Select from the Professional, Master, or Heritage Series handle kits to achieve a cohesive, elevated aesthetic across all your appliances.

2 years parts & labor warranty for peace of mind.

PRODUCT FEATURES

Size	W 36"
Volume	Ref 18 cu.ft / Frz 8.2 cu.ft
Door finish	No fingerprint stainless steel
User interface	Internal digital LED touch interface
Lighting	Top LED and side ambient LED lights
Refrigerator shelves	2 full-width and 2 height-adjustable half-width
Refrigerator drawers	1 full width and 2 half-width
Freezer compartment	1 deep drawer and 1 internal drawer
Door storage	6 gallon-sized (4 fixed and 2 height-adjustable)
Ice maker	Automatic ice maker 2.6 lbs / 24 h
Settings	Super cool, Super freeze, Water filter reset, Ice maker, Sabbath mode

TECHNICAL SPECIFICATIONS

Electrical supply	115 V 60 HZ
Power connection	NEMA 5-15P with 67" power cord
Sound rating	43 dbA
Water connection	1/4" waterline with shut-off valve
Water supply pressure	Min 0.15 MPa (1.5 bar, 21.32 PSI) Max 0.83 MPa (8.3 bar, 120.96 PSI)
Energy consumption	627.0 kwh/yr
Certification	CEC,CSA,DOE Compliant,NSF,UL
Warranty	2 years parts & labor Sealed system: 5 years labor
Packaging dimensions	W 38 3/16" H 73 13/16" D 30 9/16"
Weight	282.0 lbs

ACCESSORIES

HK36PROFD3X	Handle Kit - Professional Series
HK36MASFD3X	Handle Kit - Master Series
HK36HERFD3XG	Handle Kit - Heritage Series



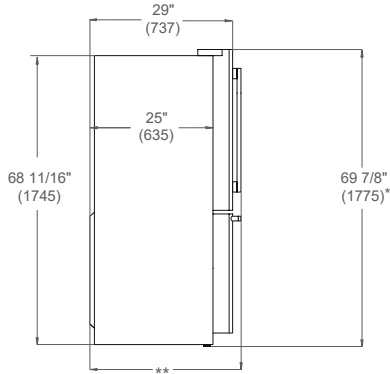
RFD36FZNX

FREESTANDING COUNTER-DEPTH FRENCH DOOR REFRIGERATOR 36"
STAINLESS STEEL FINISH

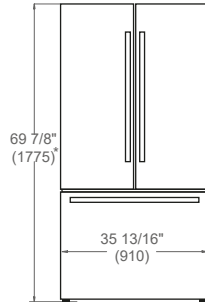


PRODUCT DIMENSIONS

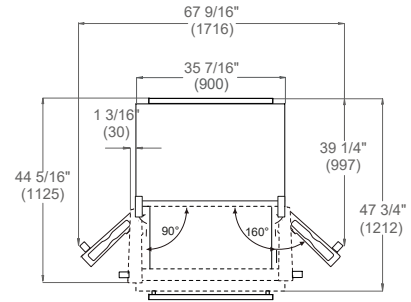
SIDE VIEW



FRONT VIEW



TOP VIEW

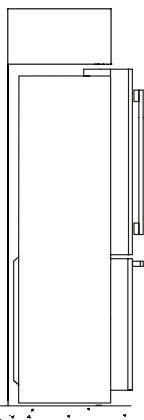


* Add 11/16" (18) with front levelling feet fully extended.
** Depth with Professional handle kit: 31 1/8" (790)
Depth with Master/Heritage handle kit: 31 5/16" (796)

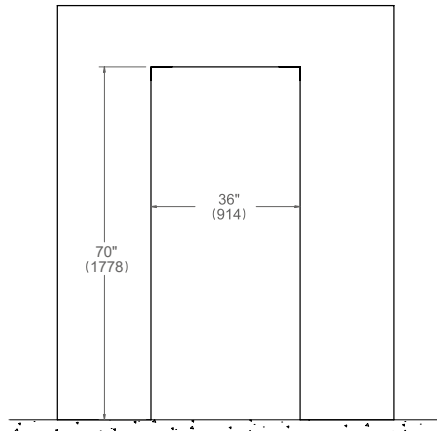
Drawers can be fully extended when doors are opened to 90°. Drawers can only be removed when doors are fully opened to 160°.

CUTOUT DIMENSIONS Counter-depth Installation

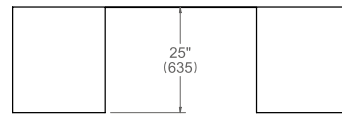
SIDE VIEW



FRONT VIEW



TOP VIEW



Leave 1/8" (3) gap at the sides and 1" (25) gap at the top for proper ventilation. Added clearance for door opening swing might be needed based on adjacent cabinetry or wall structure. To ensure proper door opening, the refrigerator must protrude 4" (102) plus handles from the side cabinets.

ELECTRICAL AND WATER CONNECTIONS



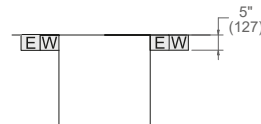
A properly-grounded, horizontally-mounted electrical receptacle should be installed according to this drawing. A separate circuit breaker servicing only this appliance is recommended.



A 1/4" water line installation kit, available at most hardware retailers, is required for connection to your home's water supply.

Connection(s) placement within the opening may require additional cabinet depth.

TOP VIEW



FRONT VIEW



INSTALLATION REQUIREMENTS

It is recommended that you do not install the refrigerator near a heat source such as a stove or a range.