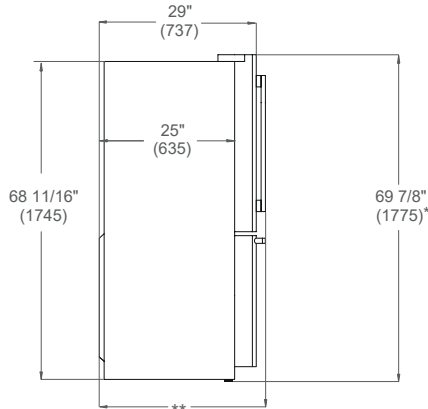
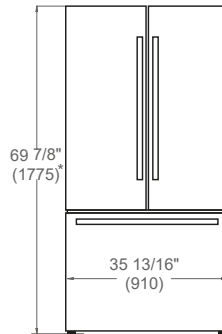


## PRODUCT DIMENSIONS

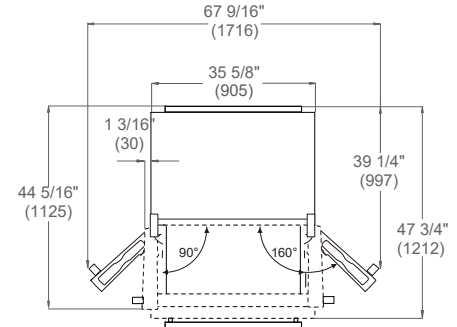
SIDE VIEW



FRONT VIEW



TOP VIEW

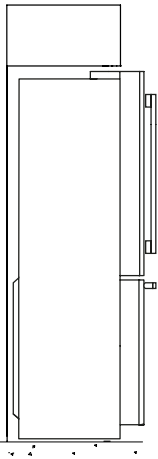


- \* Add 11/16" (18) with front levelling feet fully extended.
- \*\* Depth with Professional handle kit: 31 1/8" (790)  
Depth with Master/Heritage handle kit: 31 5/16" (796)

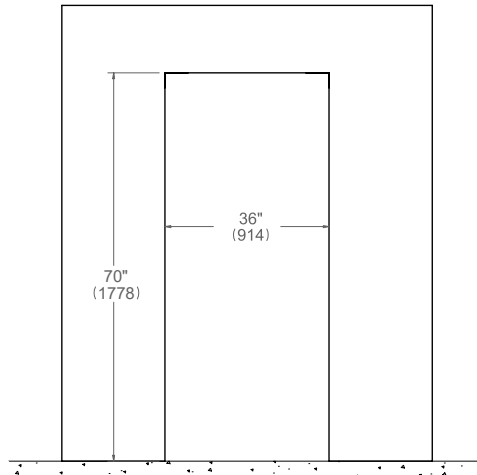
Drawers can be fully extended when doors are opened to 90°. Drawers can only be removed when doors are fully opened to 160°.

## CUTOUT DIMENSIONS Counter-depth Installation

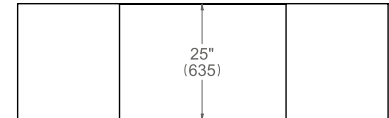
SIDE VIEW



FRONT VIEW



TOP VIEW

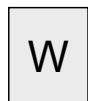


Leave 1/8" (3) gap at the sides and 1" (25) gap at the top for proper ventilation. Added clearance for door opening swing might be needed based on adjacent cabinetry or wall structure. To ensure proper door opening, the refrigerator must protrude 4" (102) plus handles from the side cabinets.

## ELECTRICAL AND WATER CONNECTIONS

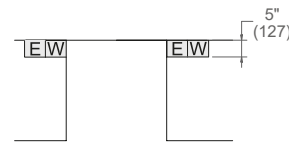


A properly-grounded, horizontally-mounted electrical receptacle should be installed according to this drawing. A separate circuit breaker servicing only this appliance is recommended.



A 1/4" water line installation kit, available at most hardware retailers, is required for connection to your home's water supply.

TOP VIEW



FRONT VIEW



## INSTALLATION REQUIREMENTS

It is recommended that you do not install the refrigerator near a heat source such as a stove or a range.

Connection(s) placement within the opening may require additional cabinet depth.