

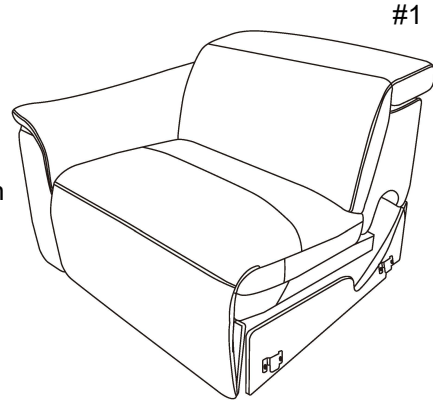
FLEXSTEEL®

LAF Power Recliner with Power Headrest

IMPORTANT NOTE

Read these instructions carefully, and familiarize yourself with each procedure before assembling the furniture. Check that you have all the component parts, and familiarize yourself with each part before proceeding.

Take all the fittings out of the plastic bag and separate them into groups. Ensure you have enough space to lay out all the parts before assembly. To prevent damage to the parts, we recommend that you assemble the unit on a soft, flat surface.



Part List

A. Transformer
1 piece



Assembly Instructions

STEP 1

Take out the Transformer (A) from the bottom of the seat . (See Figure 1)

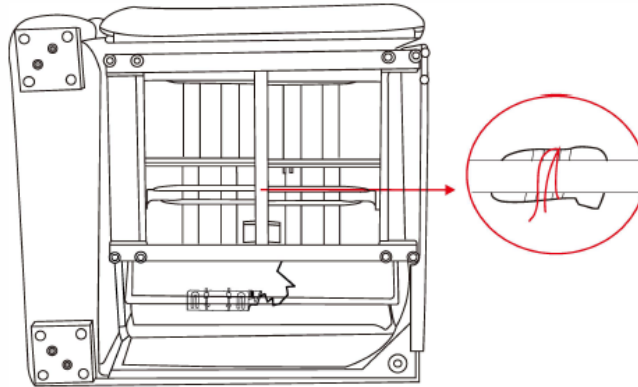


Figure 1

STEP 2

1) Connect piece #1 with #2 by the bracket at side, then #2 with #3, then #3 with #4, #4 and #5, #5 and #6.(See Figure 2)

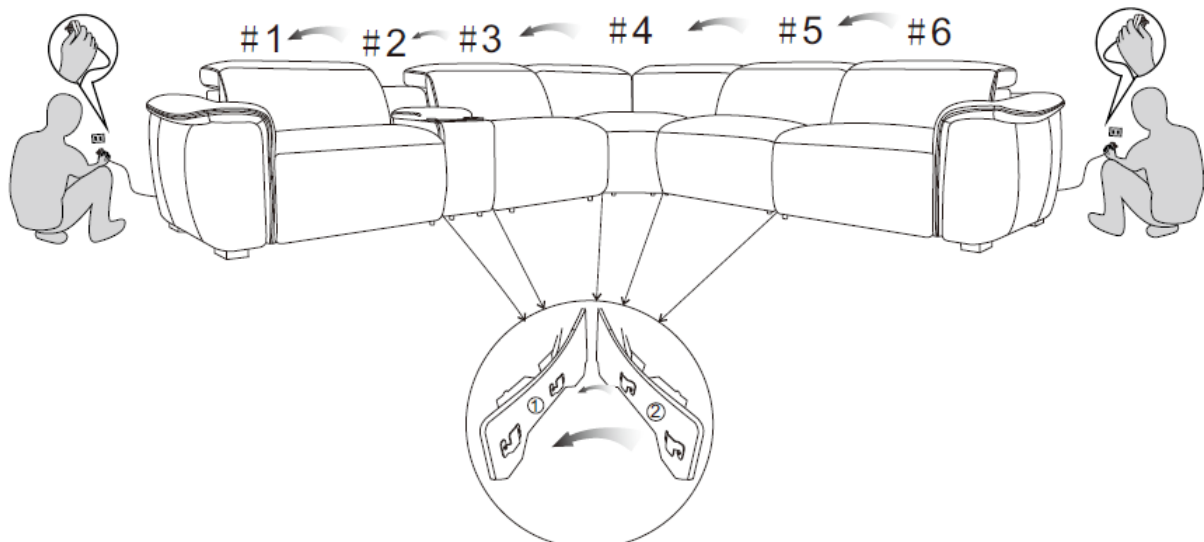


Figure 2

STEP 3

1) Connect the wire on #1 and #2, then #2 and #3. (See Figure 2)

Note: If #2 Console is placed between #4 and #5, please connect wire on #6 with #5, then #5 and #2.

2) Connect the transformer into the cable coming out bottom of the pieces, then plug the transformer into the nearby outlet. (See Figure 3)

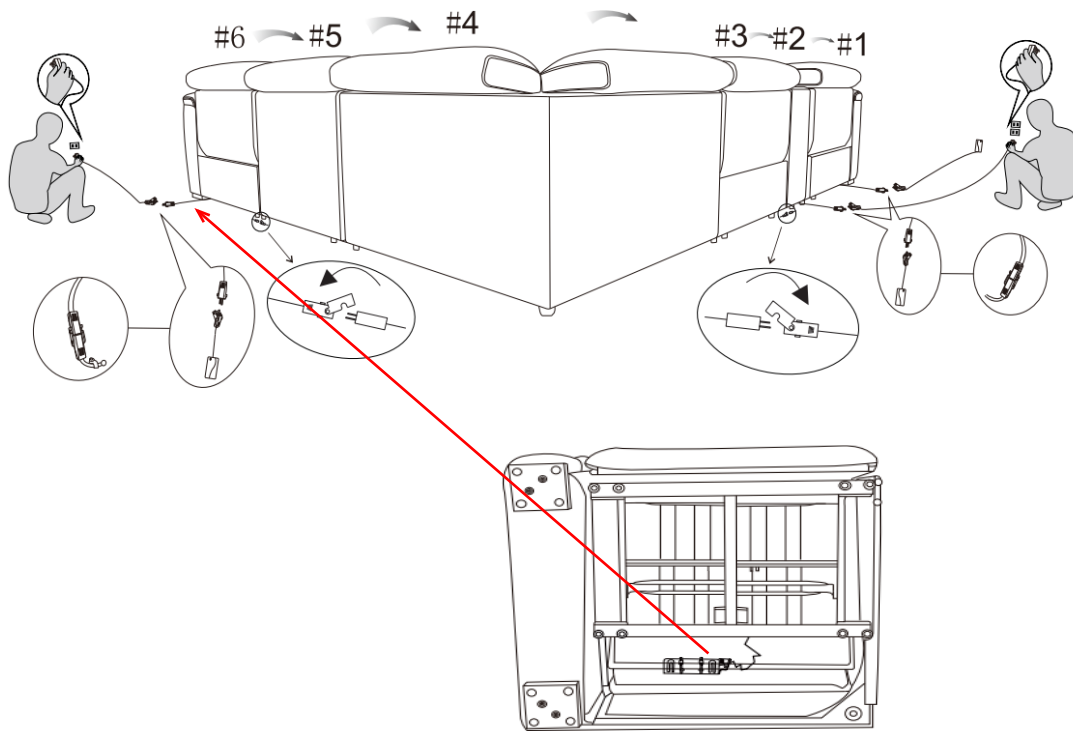


Figure 3

IMPORTANT NOTE

- To avoid any risk of suffocation to children or pets, dispose of all plastic bags immediately.
- To ensure proper performance, occasionally check for loose screws and tighten as needed.
- If the reclining functions are not working properly, check for loose cable connections before contacting the retailer.