



1427-57PH, -50PH, -72, -23, -19, -59PH, -58PH  
in Leather 732-72

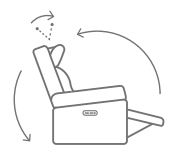
# Camden

FLEXSTEEL®

## Ultimate Comfort, Complete with Euro Flair

All the plush comfort you could ever want to sink right into, in a sleek transitional style with Euro Flair. The Camden collection has ample space to for all your guests to kick back, and all the features of modern comfort you need. Sleek, slope padded arms cradle you, while Zero Gravity Recline and power headrests allow you to customize your comfort. To ensure everlasting comfort, these pieces are equipped with our patented Blue Steel Spring system, engineered to last a lifetime. The pinnacle of relaxation, with all the space you need. Camden has it all.

### FEATURES



DUAL POWER



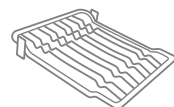
CLOUDLIKE COMFORT



ZERO GRAVITY

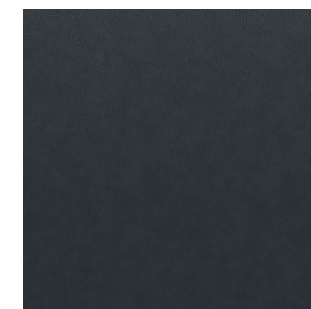


WIRELESS PHONE CHARGING



DUALFLEX SPRING

### STOCEKD COVERS



**732-40**  
Abyss Blue  
leather/match



**732-72**  
Dusty Taupe  
leather/match

**SCAN ME**  
For a digital copy  
of this sheet.

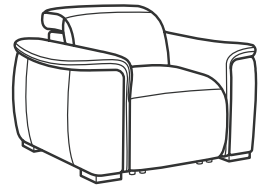


# Camden

1427

SH = Seat Height | SW = Seat Width  
SD = Seat Depth | AH = Arm Height

## SECTIONAL PIECES



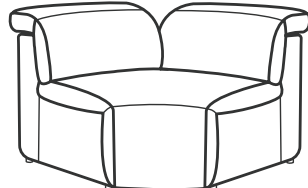
**-50PH POWER RECLINER WITH POWER HEADREST**

34H 47W 43D  
21SH 24SW 23SD 65OD 4WC



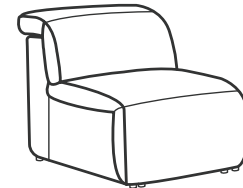
**-72 STRAIGHT CONSOLE**

29H 13W 40D



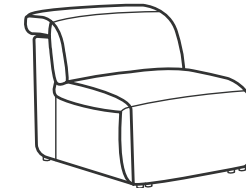
**-23 FULL WEDGE**

34H 70W 50D  
21SH 43SW 38SD



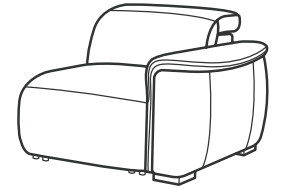
**-19 ARMLESS CHAIR**

34H 34W 43D  
21SH 34SW 23SD



**-59PH ARMLESS POWER RECLINER WITH POWER HEADREST**

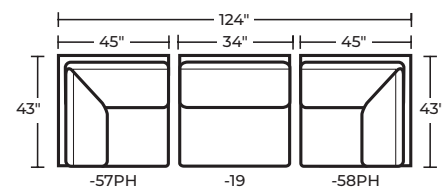
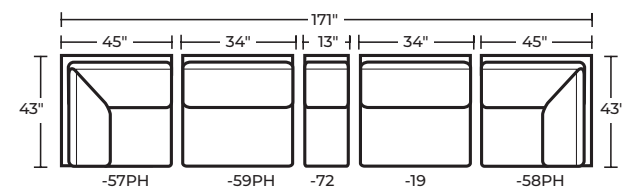
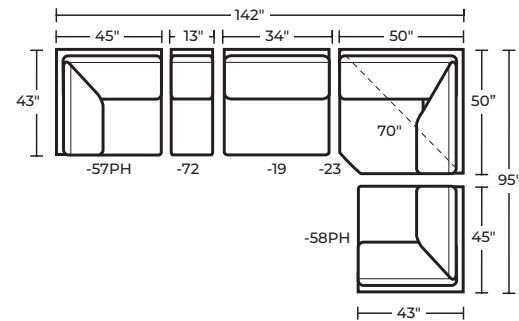
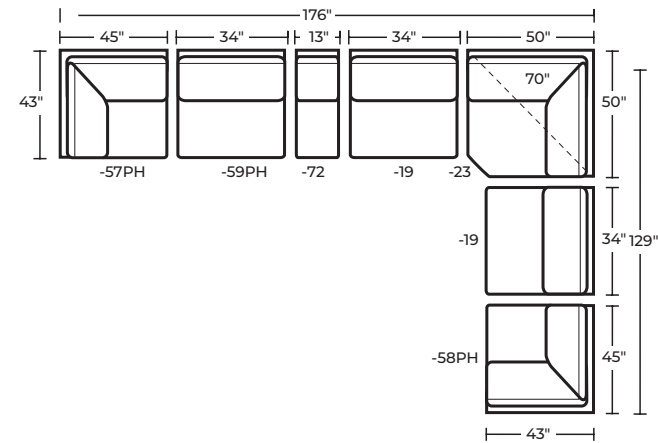
34H 34W 43D  
21SH 34SW 23SD 65OD 4WC



**-57PH / -58PH LAF/RAF POWER RECLINER WITH POWER HEADREST**

34H 45W 43D  
21SH 33SW 23SD 65OD 4WC

## SAMPLE CONFIGURATIONS



## DESIGNED FROM THE INSIDE OUT



For over 100 years, the Blue Steel Spring™ has differentiated Flexsteel products. Its strength and resilience creates a "just right" balance of softness, support and quality. So whether you've got big people or little people, wild jumpers or careless ploppers—not to worry—the Blue Steel Spring has got your back.

## WARRANTY INFORMATION



**Lifetime Limited Warranty:** Blue Steel springs, wood frames, seat cushions, and reclining mechanisms

**Five-Year Limited Warranty:** Mechanical and electrical components

**One-Year Limited Warranty:** Upholstery materials  
Visit [www.flexsteel.com](http://www.flexsteel.com) for complete warranty details.