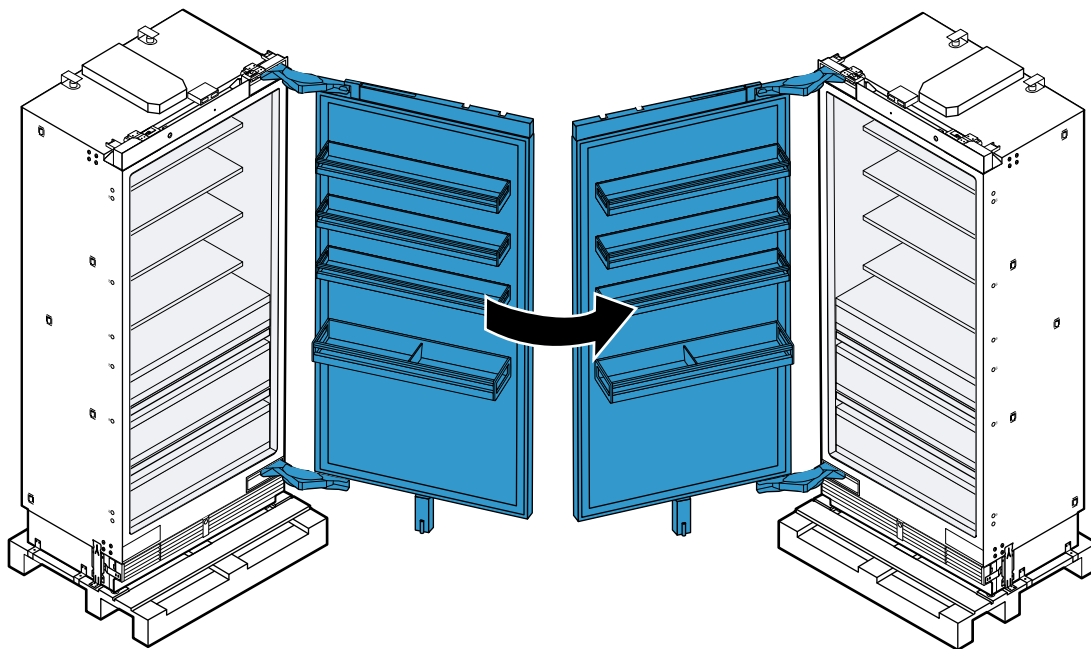
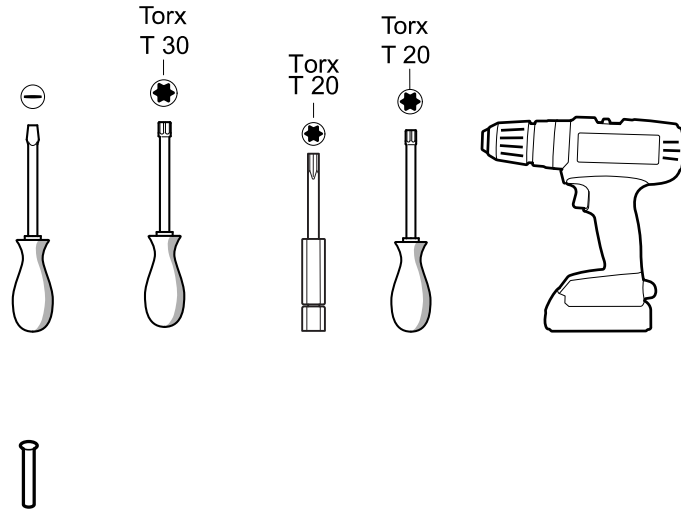
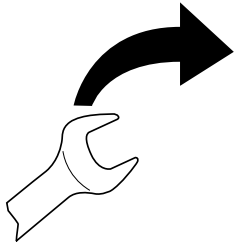
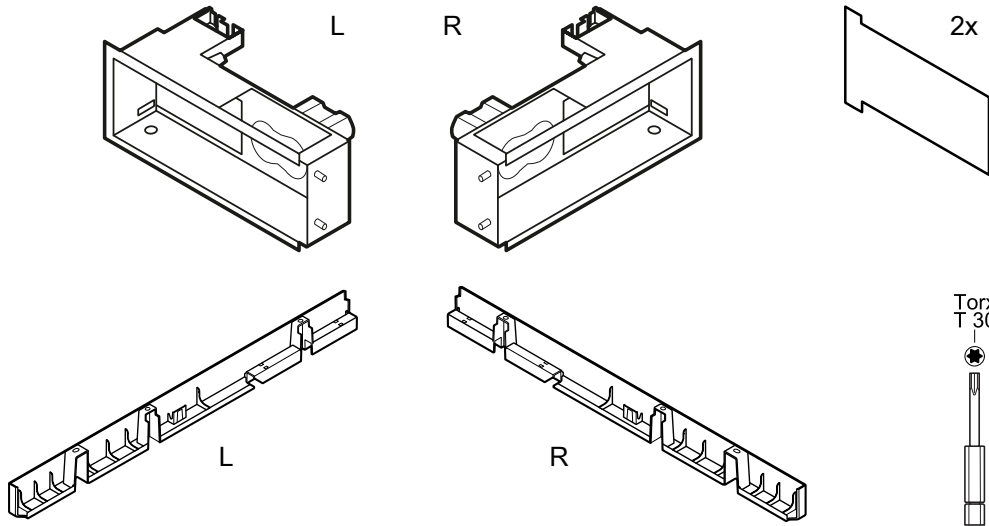
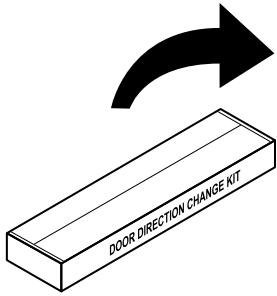


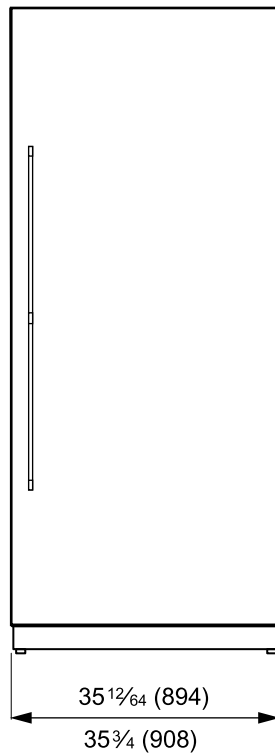
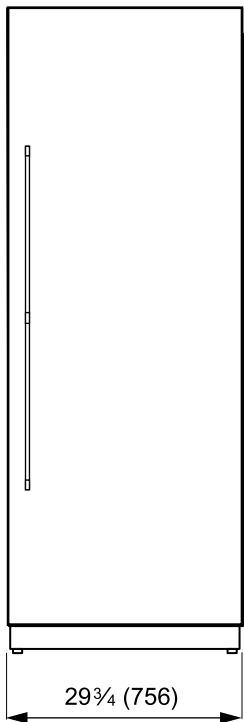
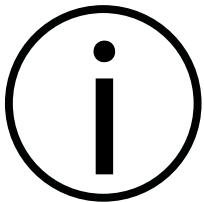
9001975819 (050728)

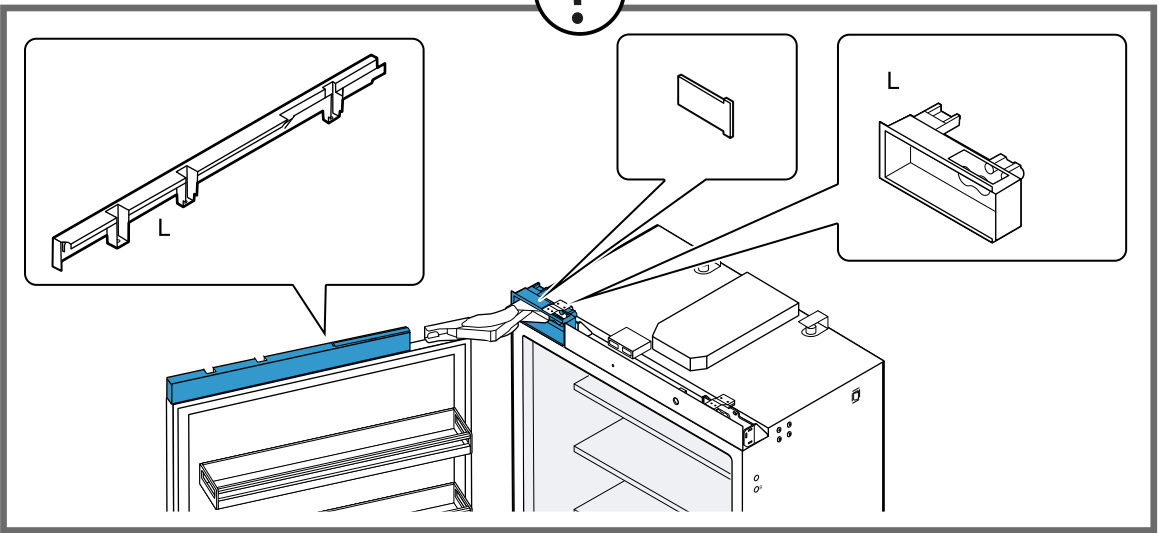
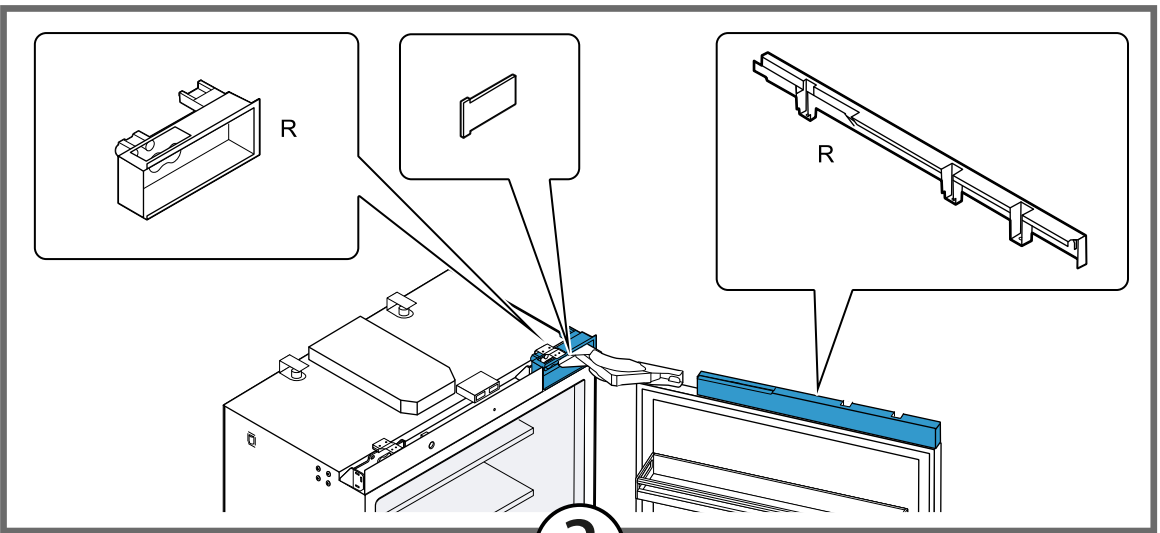
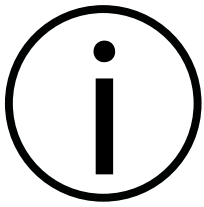


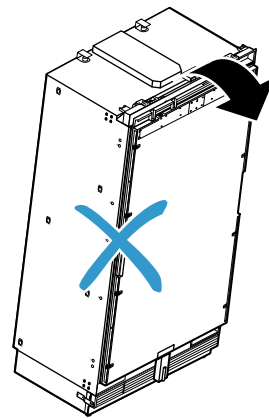
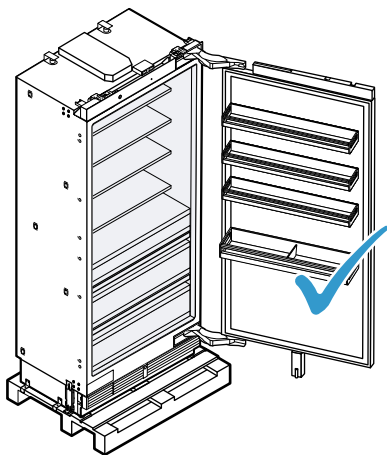
in (mm)



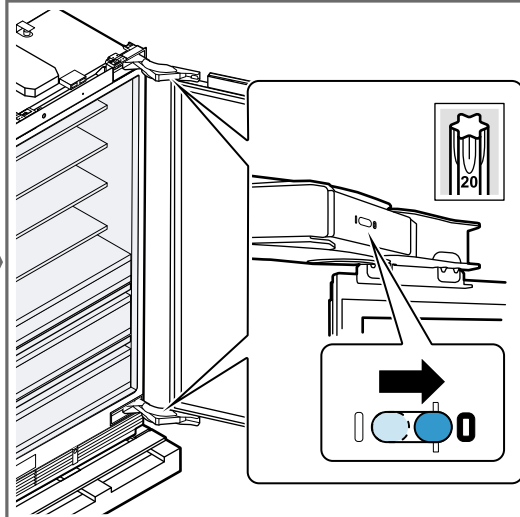
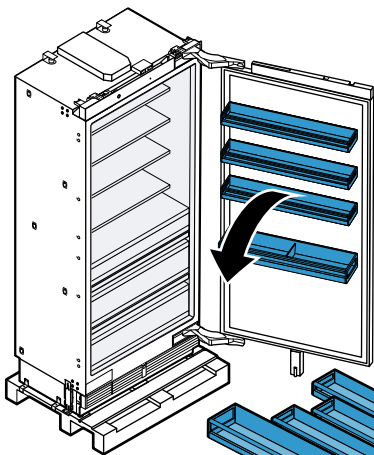


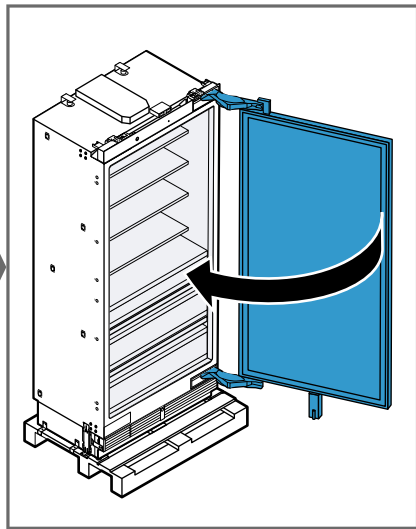
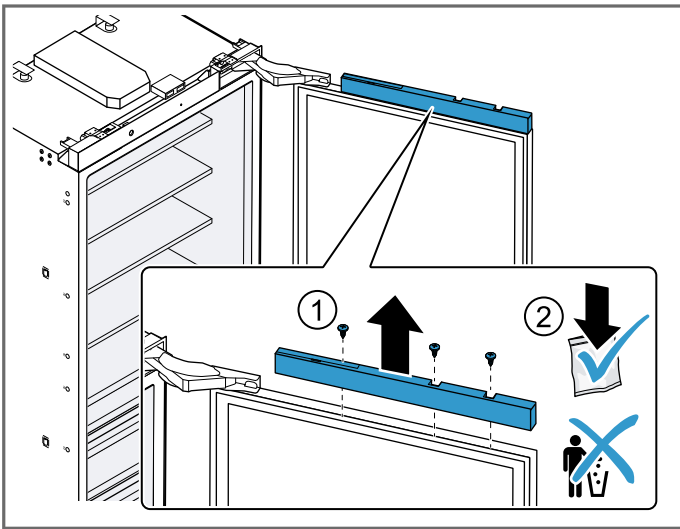
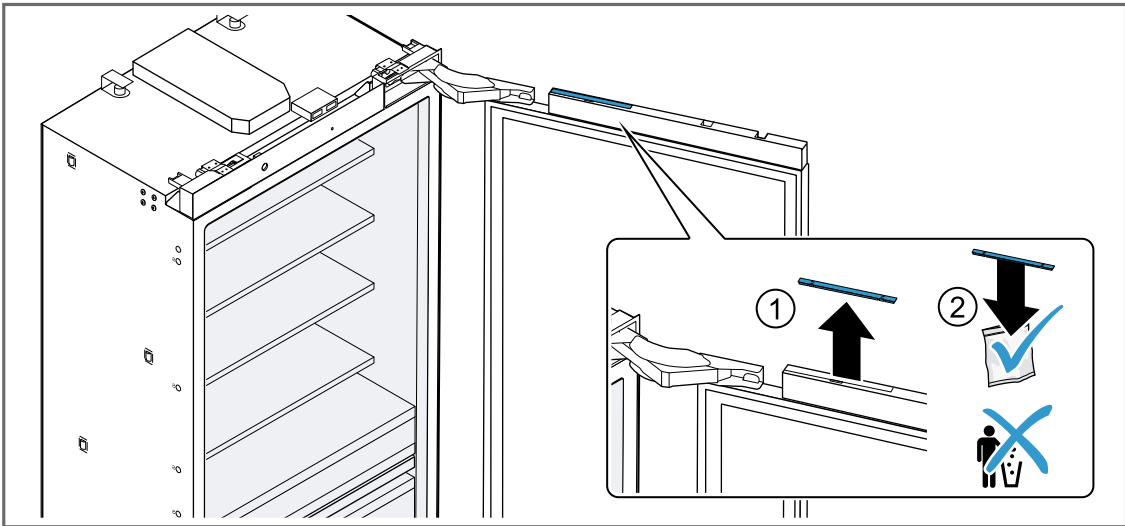






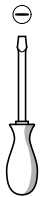
Torx
T 20



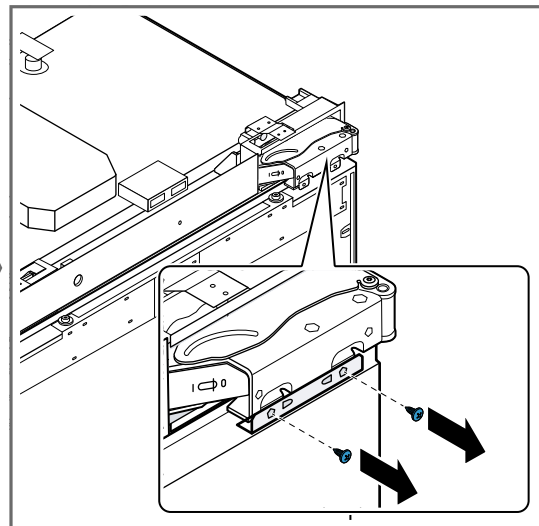
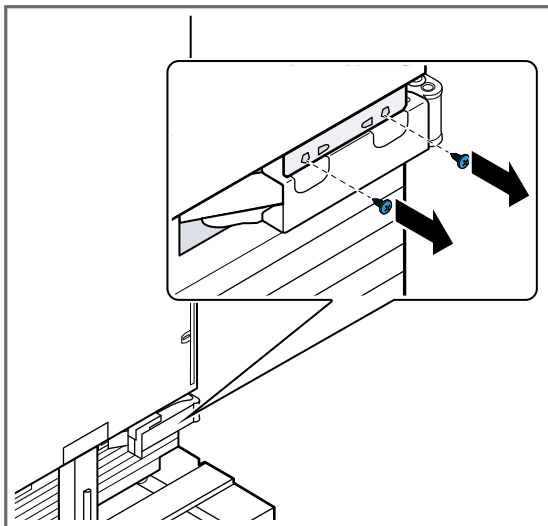


Torx
T 20

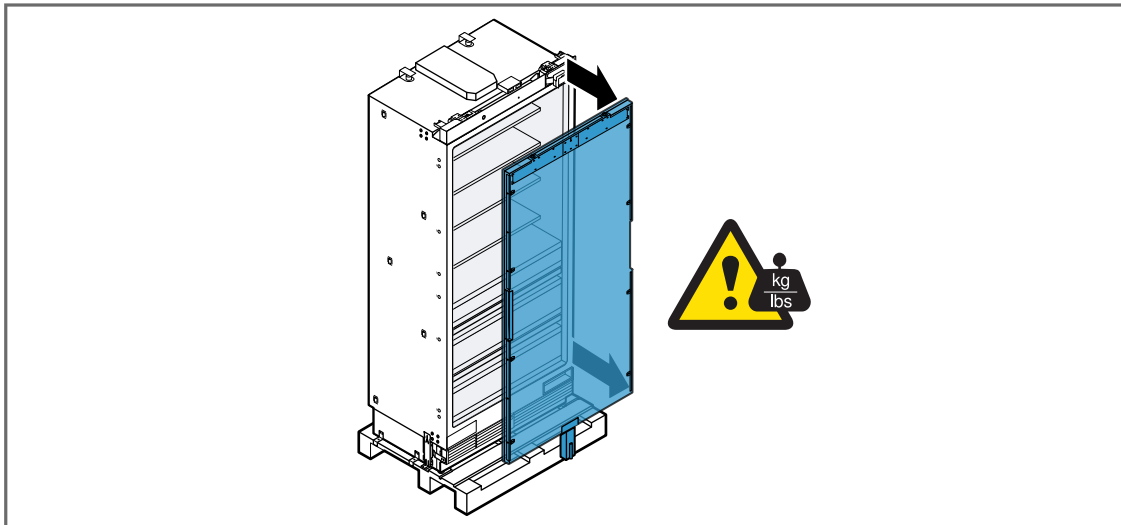
Torx
T 20

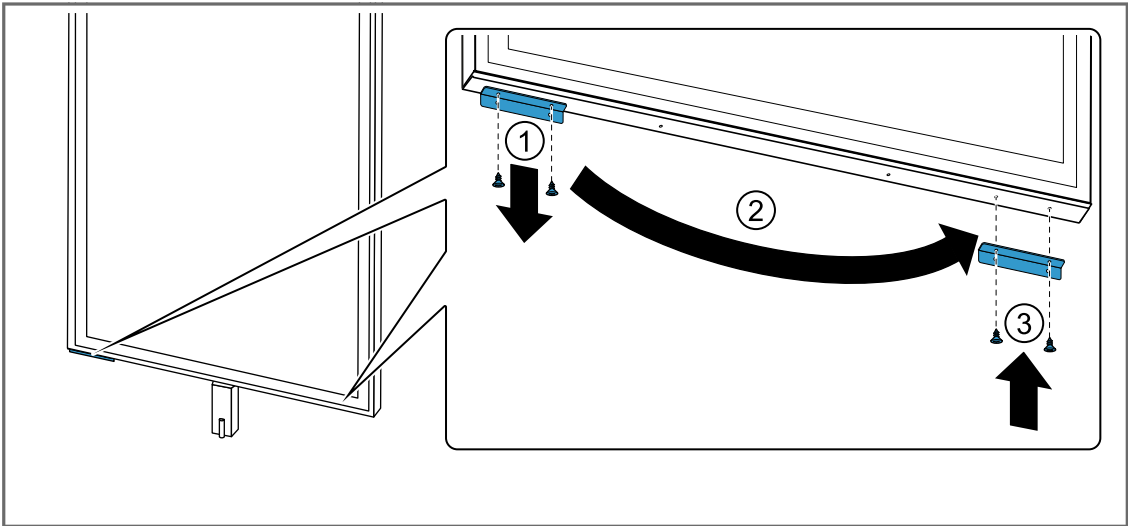
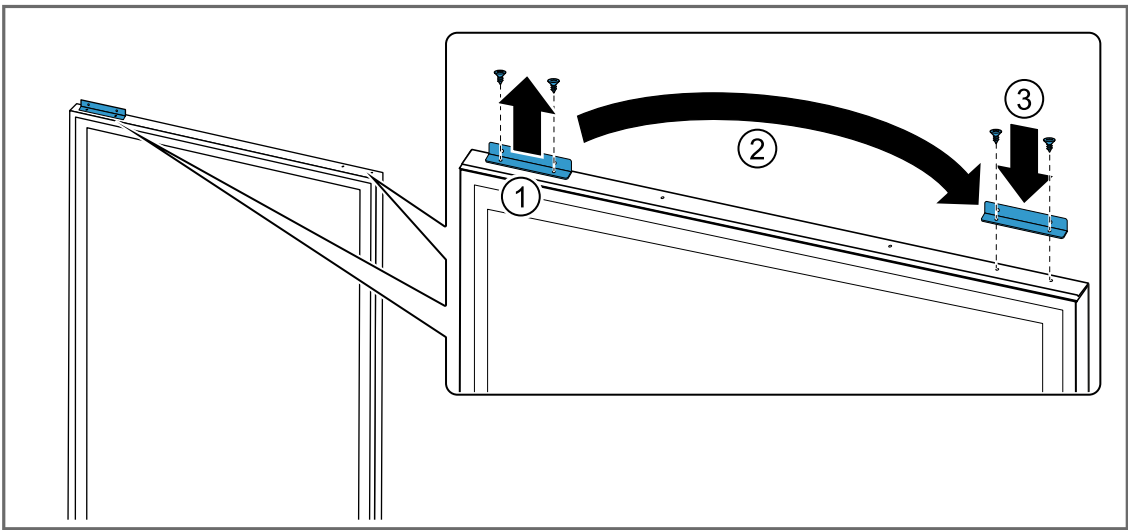


Torx
T 30



Torx
T 30



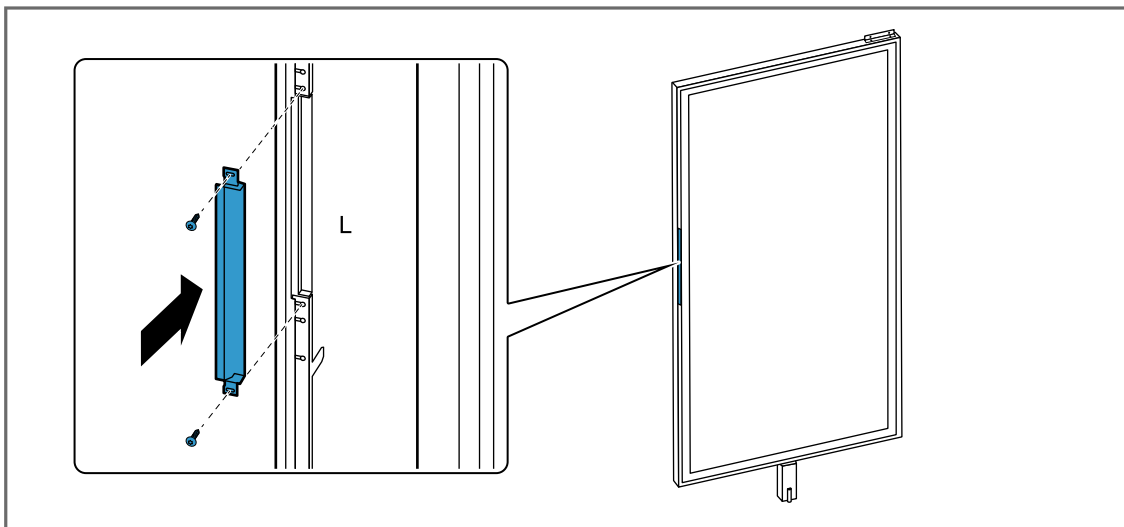
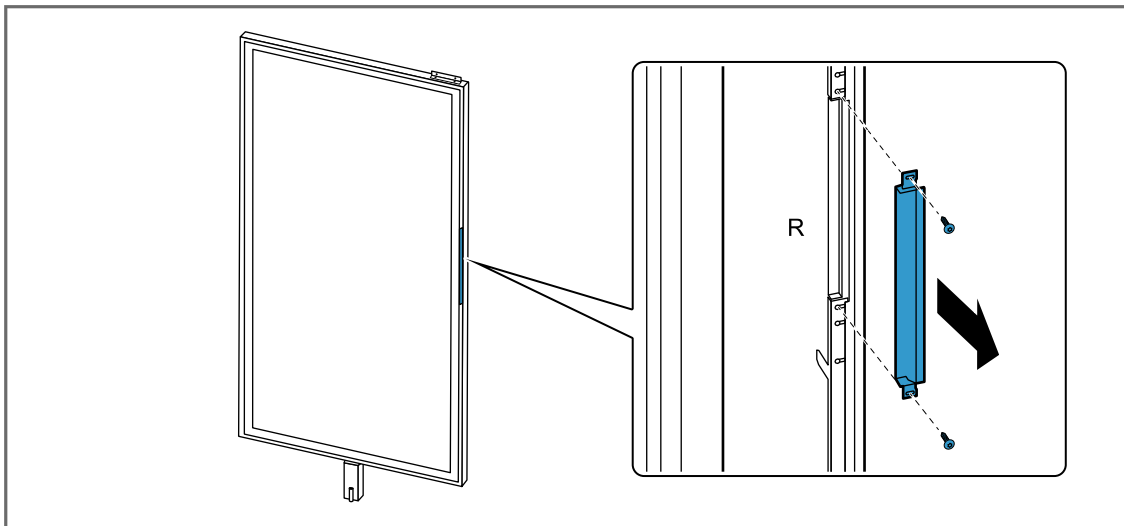
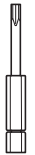


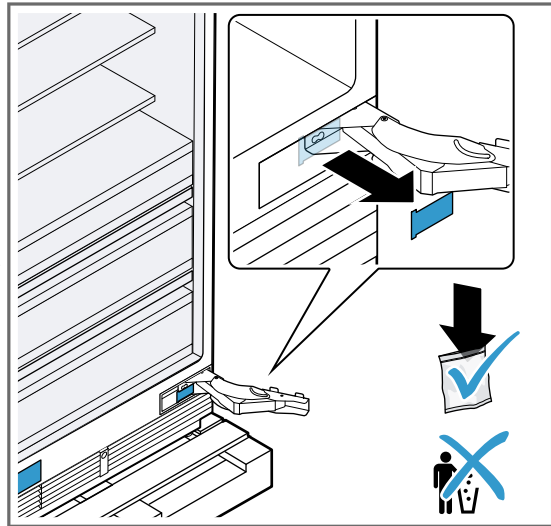
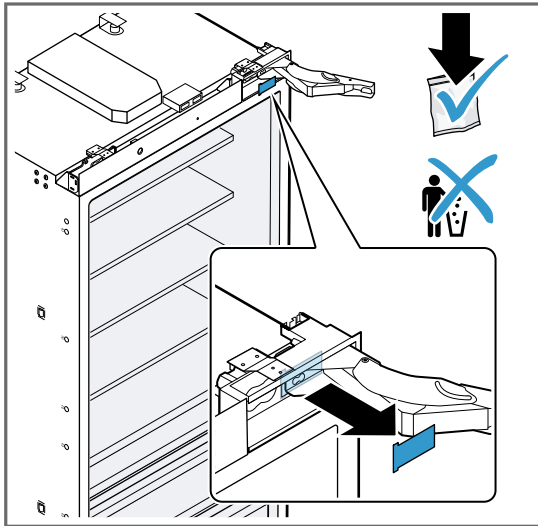
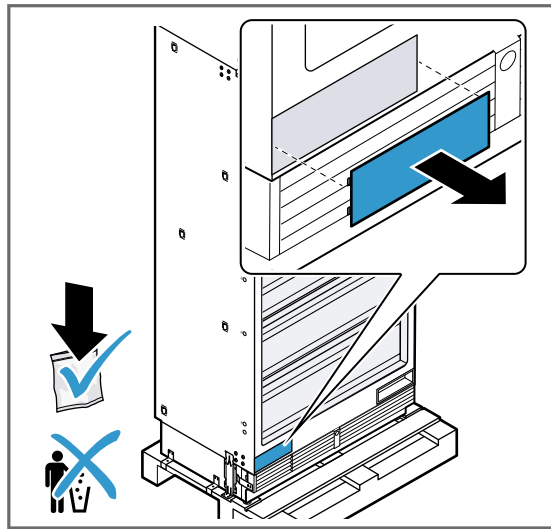
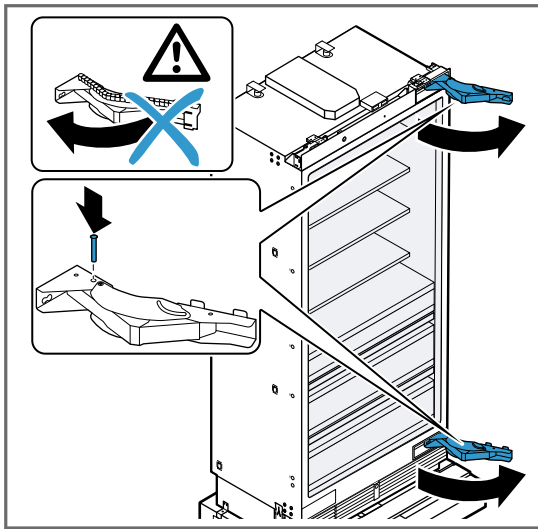


Torx
T 20

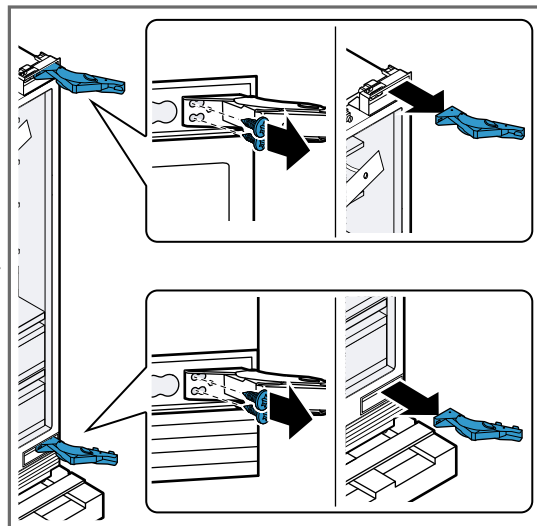
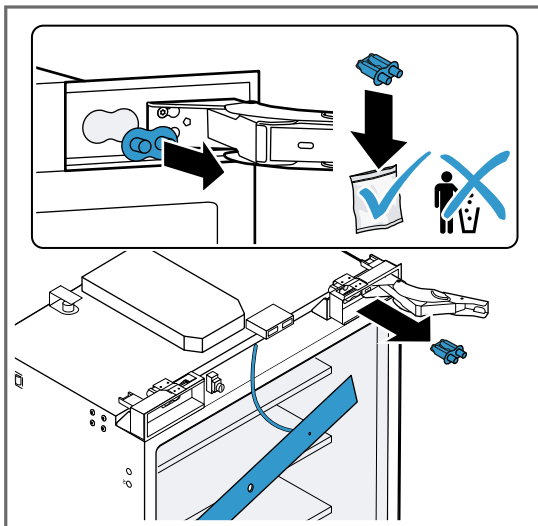
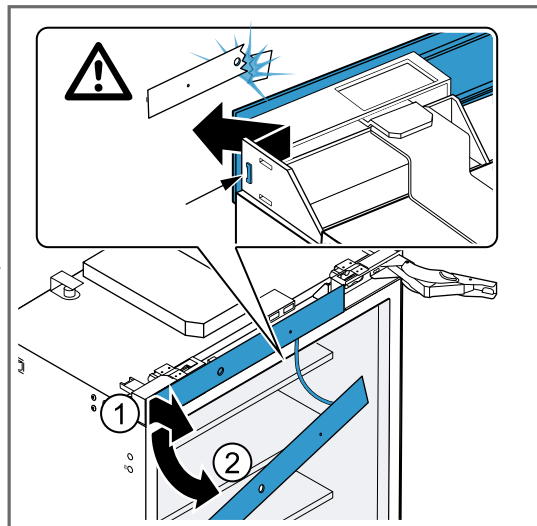
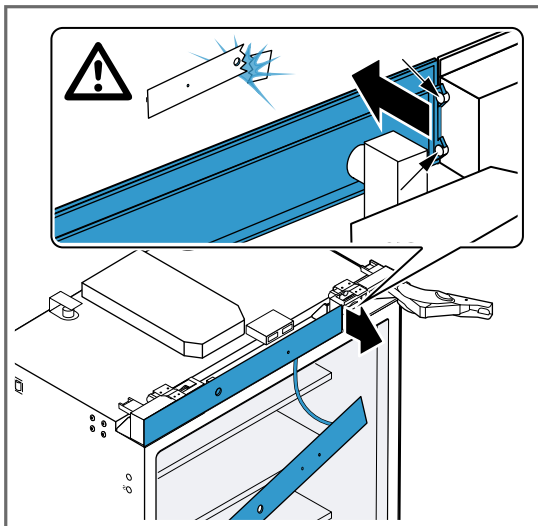


Torx
T 20

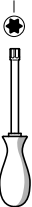


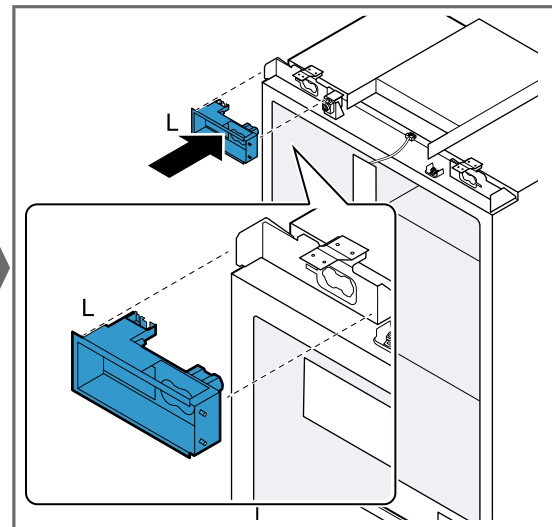
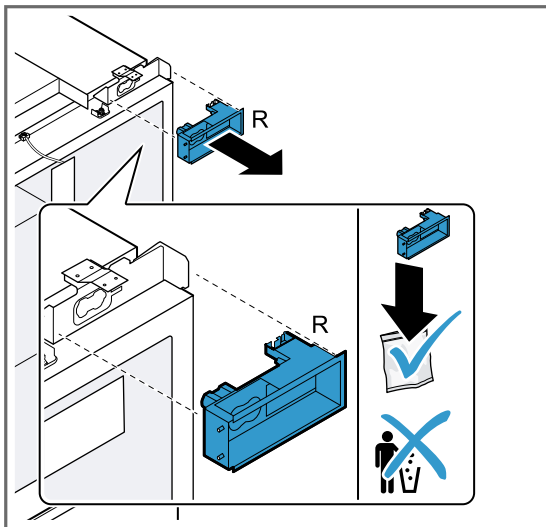
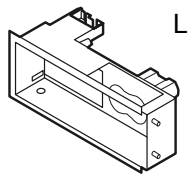


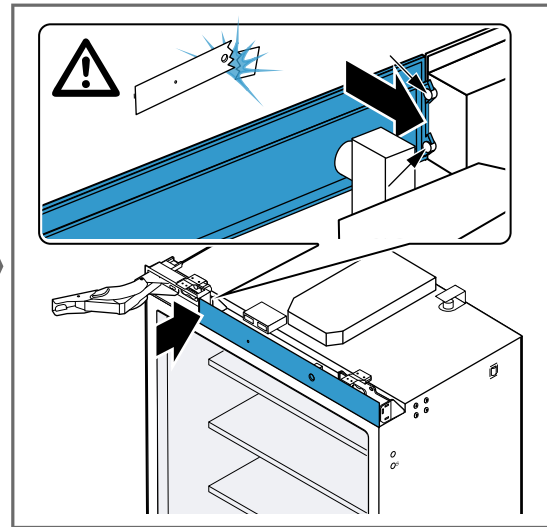
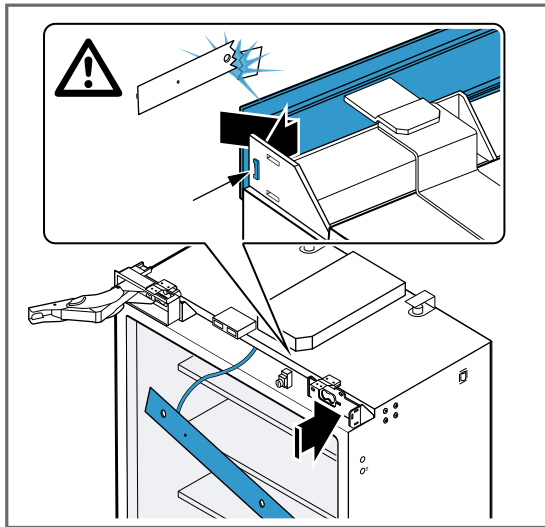
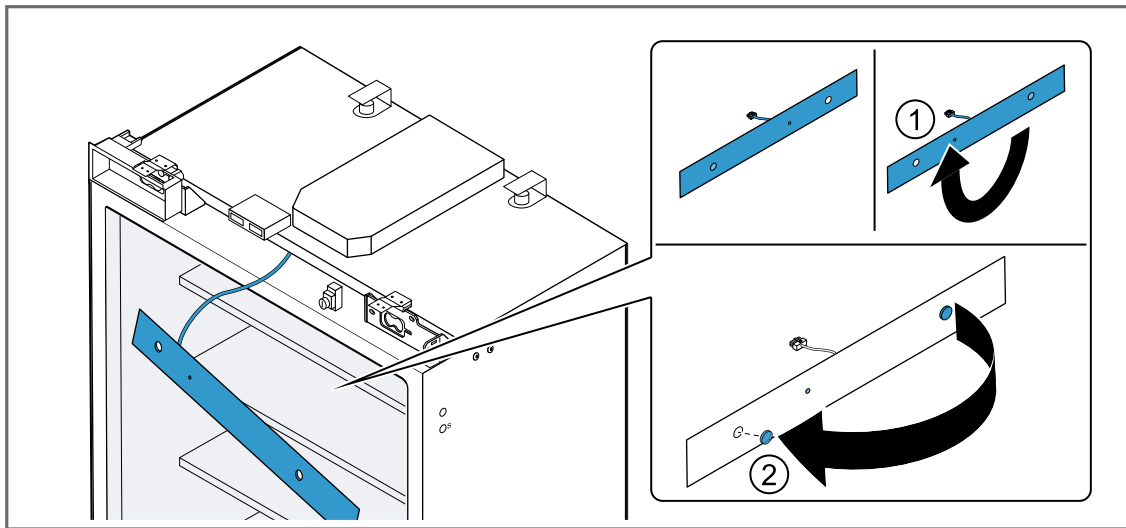
Torx
T 30



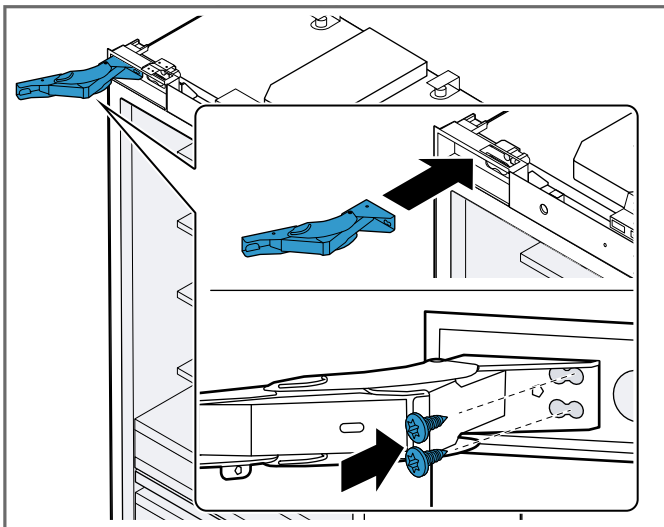
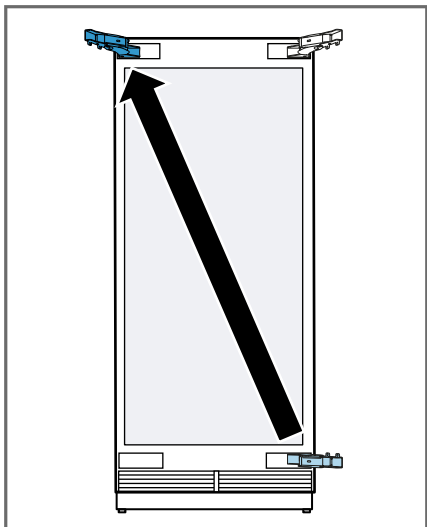
Torx
T 30



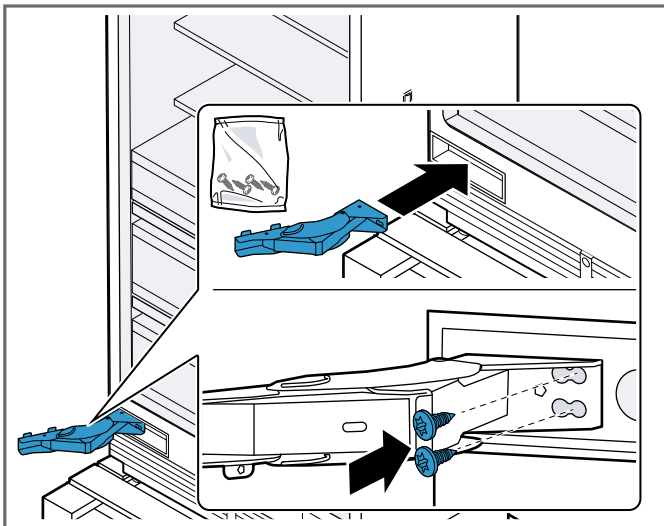
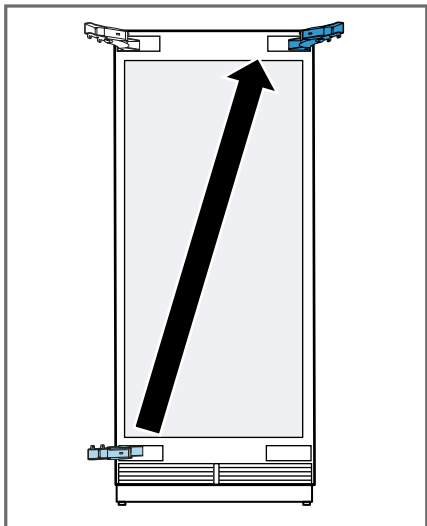


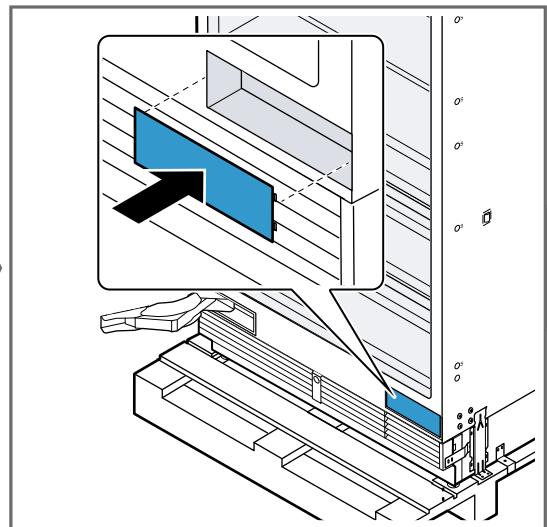
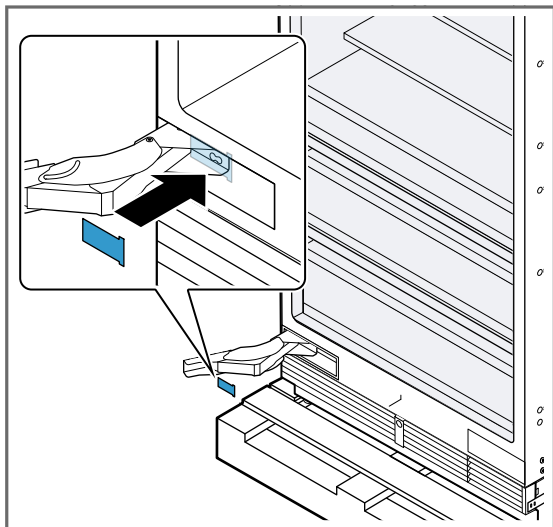
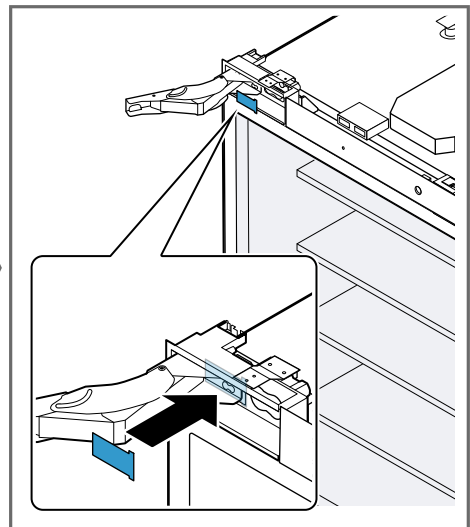
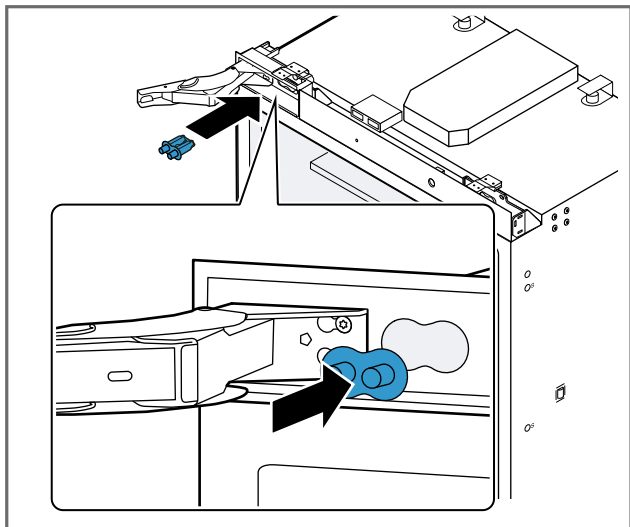
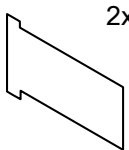


Torx
T 30

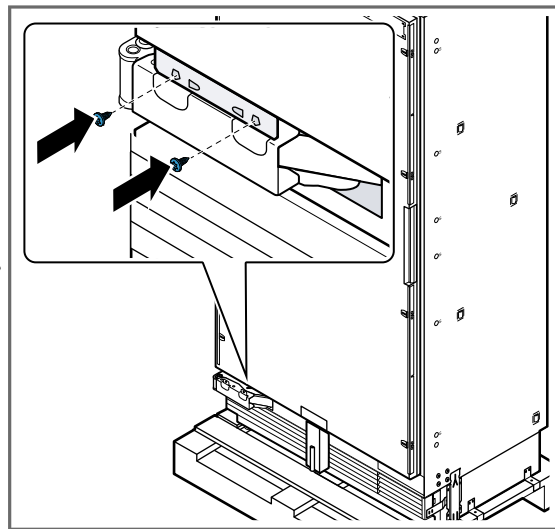
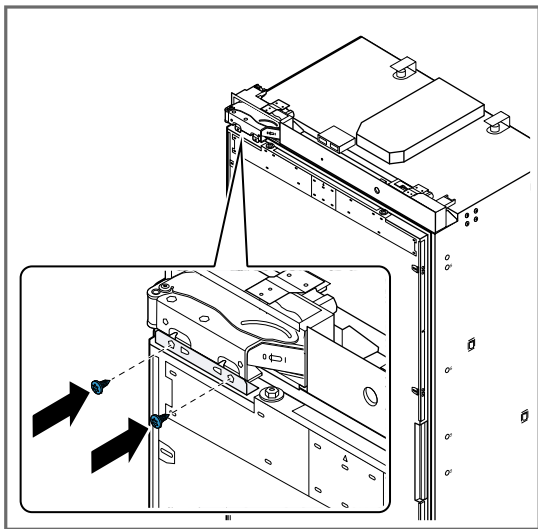
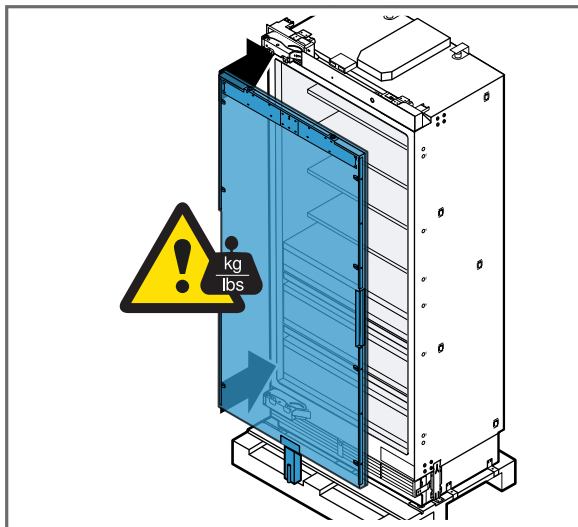
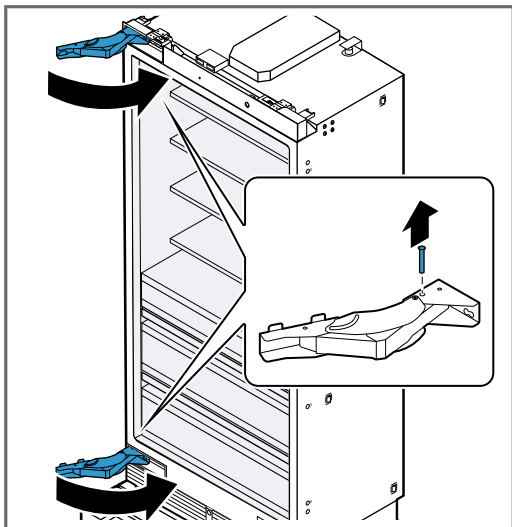


Torx
T 30

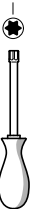


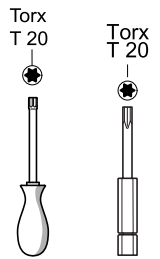
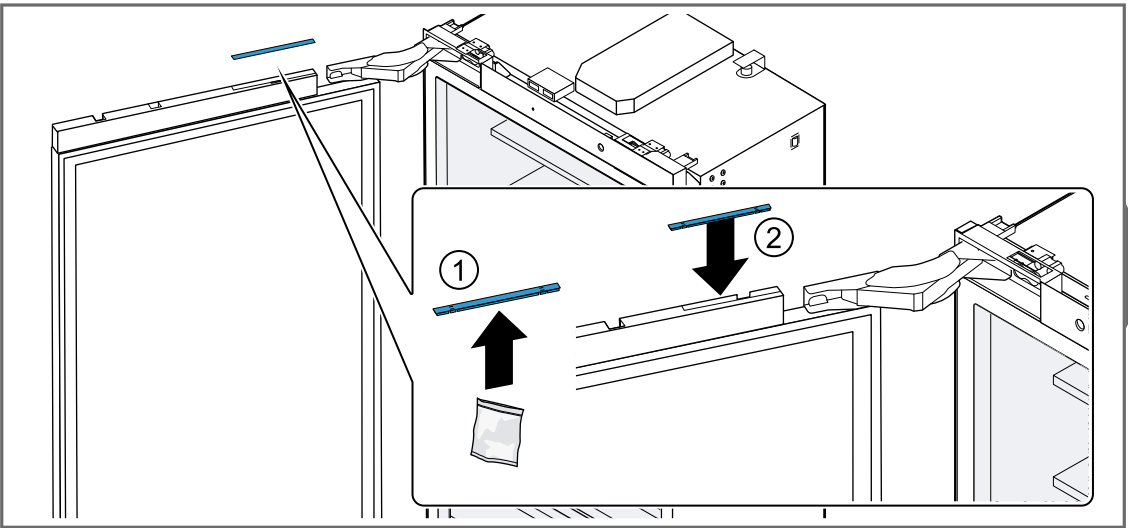
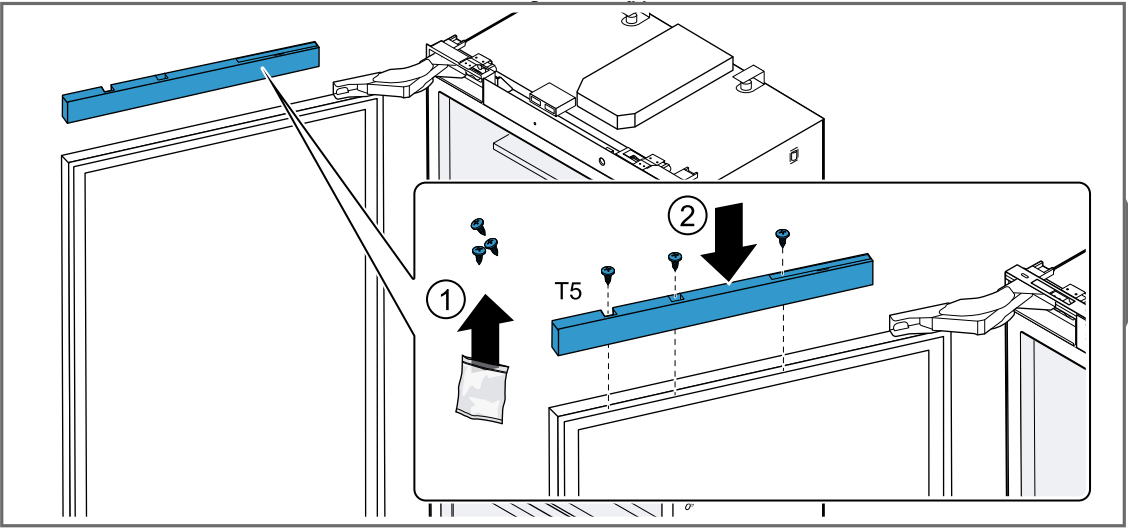
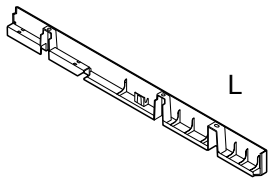


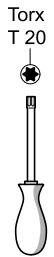
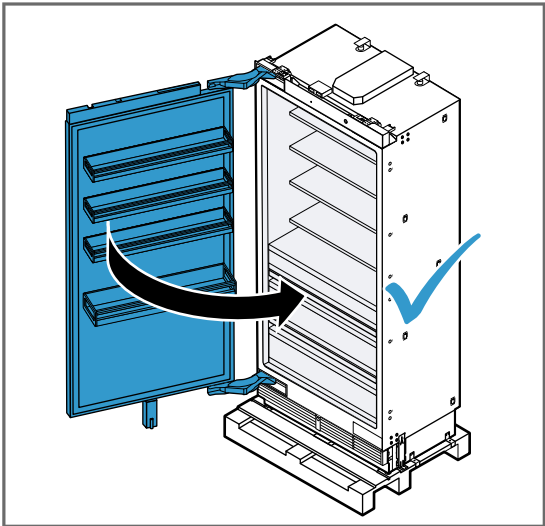
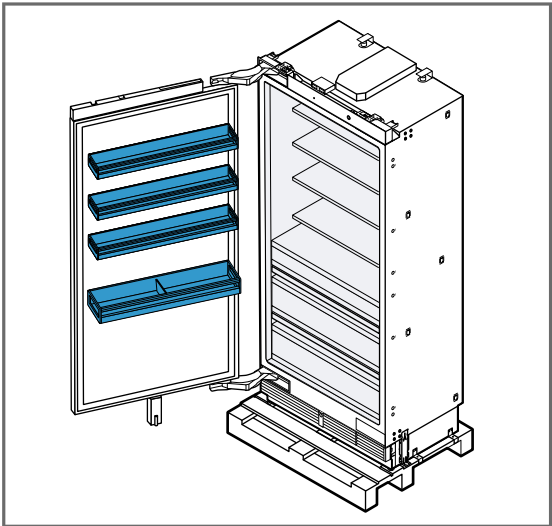
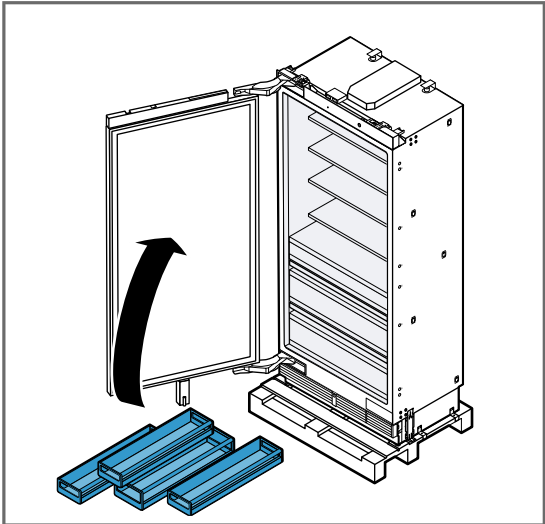
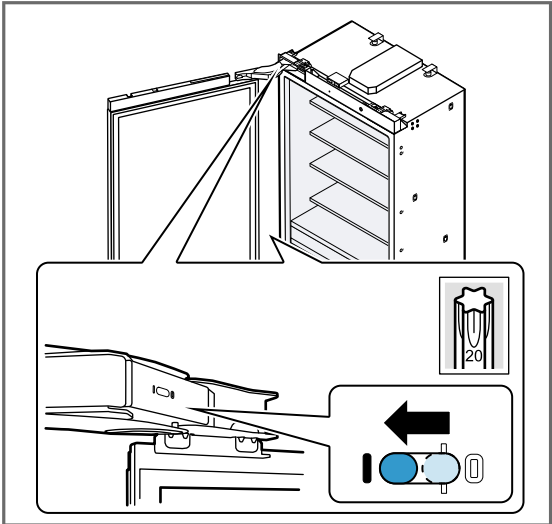
Torx
T 30



Torx
T 30









A series of horizontal lines for writing, starting from a vertical margin line on the left and extending across the page.

