

**800 Series, Electric Cooktop, 30,
Without Frame
NET8062UC**

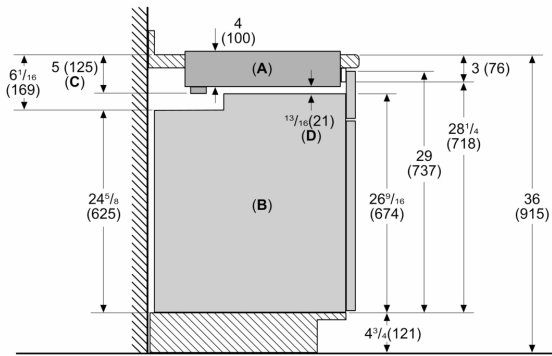


UPC code: 825225982739
 Color: Black
 Energy source: Electric
 Fuse protection: 40/30 A
 Volts: 240/208 V
 Frequency: 60 Hz
 Plug Type: No Plug
 Required Cutout Size (HxWxD) (in): 4 " x 28 3/4 " x 19 7/8 "
 Minimum distance from counter front (in): 2 1/4
 Minimum distance from rear wall (in): 2
 Overall appliance dimensions (HxWxD) (in): . 1/4"+4 " x 31" x 21 1/4"
 Product Packaging Dimensions (HxWxD): 7 7/8" x 37 3/8" x 24"
 Net Weight: 26.000 lbs
 Gross Weight: 34.000 lbs
 Total Number of Heating Elements: 5



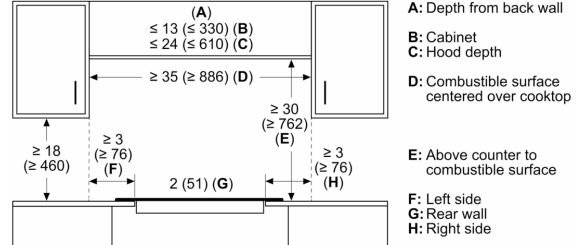
800 Series, Electric Cooktop, 30, Without Frame NET8062UC

Measurements in inches (mm)
30" (762 mm) Built-in oven – under electric cooktop

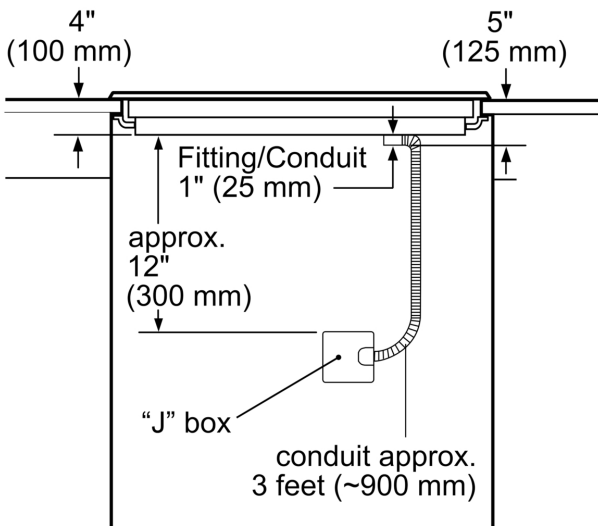


- A: Cooktop
 - B: Built-in oven
 - C: Cooktop conduit fitting
 - D: Dimensions based on standard countertop height: 36" (914 mm) with 4 3/4" (121 mm) kick including base plate
- The built-in oven can be installed below the electric cooktop as long as there is no contact between the bottom of the cooktop and the top of the oven

Measurements in inches (mm)



- A: Depth from back wall
- B: Cabinet
- C: Hood depth
- D: Combustible surface centered over cooktop
- E: Above counter to combustible surface
- F: Left side
- G: Rear wall
- H: Right side



measurement in inches (mm)