

This Data Sheet Includes Information On

Frigidaire

• Product Model Number (s): •

Frigidaire Series Top Mount Refrigerators:
FRT18G4AW, FRT18G4AQ, FRT8B5EW and FRT8B5EQ

• Dimensions (Actual Size) •

Height with hinge assembly, 0" leg adj.: 66 1/8"

Height less hinge assembly, 0" leg adj.: 65 3/8"

Case width: 29 5/8"

Depth including handle: 33 5/8"

Depth less handle: 31 5/8"

Depth less door: 28 3/8"

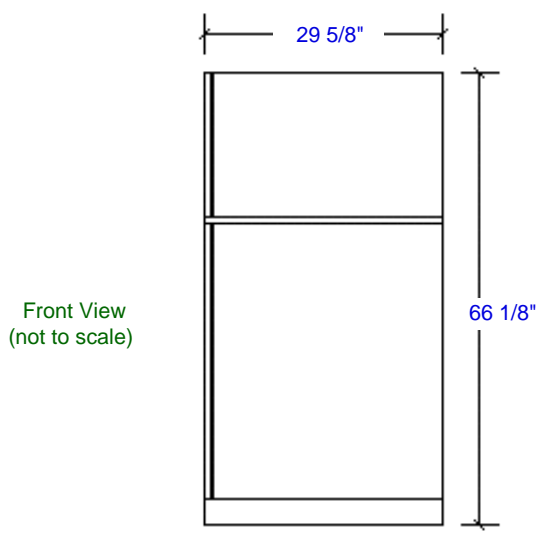
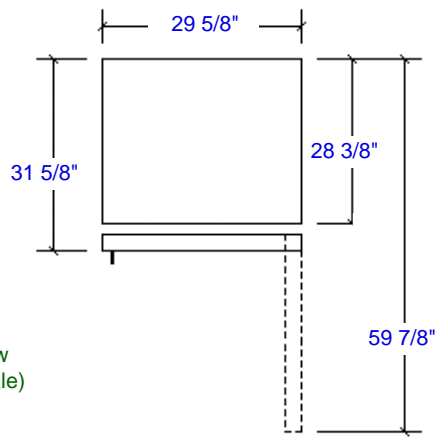
Depth with door open 90°: 59 7/8"

Minimum opening height, 0" leg adj.: 66 3/8"

Minimum opening width: 30 3/8"

• Additional Information •

- Allow 2" of clearance on hinge side of refrigerator when installing next to a wall where handle may make contact. This will allow 90° door opening.
- Doors are reversible in field.
- Unit does NOT accept custom panels.
- Electrical Requirements: 115V, 60Hz.
- FRT18G4AW, FRT18G4AQ, FRT8B5EW and FRT8B5EQ: Right hand door swing.



Subject to change without notice. This system is designed to be updated daily if necessary. Dimension Express is not responsible for use of superseded, voided, or outdated data sheets. Because of the difficulty or impracticability of determining actual damages, liability of Dimension Express shall not exceed \$50.00.

Copyright © Dimension Express, 2006.

473

• NEVER reuse Data Sheets. Data Sheets are subject to change without notice. Dimension Express is a FREE service bureau and is updated daily, it makes far more sense to spend the time necessary to request new Data Sheets for each project, as opposed to the problems, time, costs, and risks associated with reusing old Data Sheets.

- Call Dimension Express if you have any questions at (800) 940-2059 •
- Always refer to a current Code at a Glance or manufacturer directory •
- Data Sheet codes change on the first of each quarter at 12:01am •

BN • A473 • • 071001 • 92554 • 64135