

SRN110 Service Parts

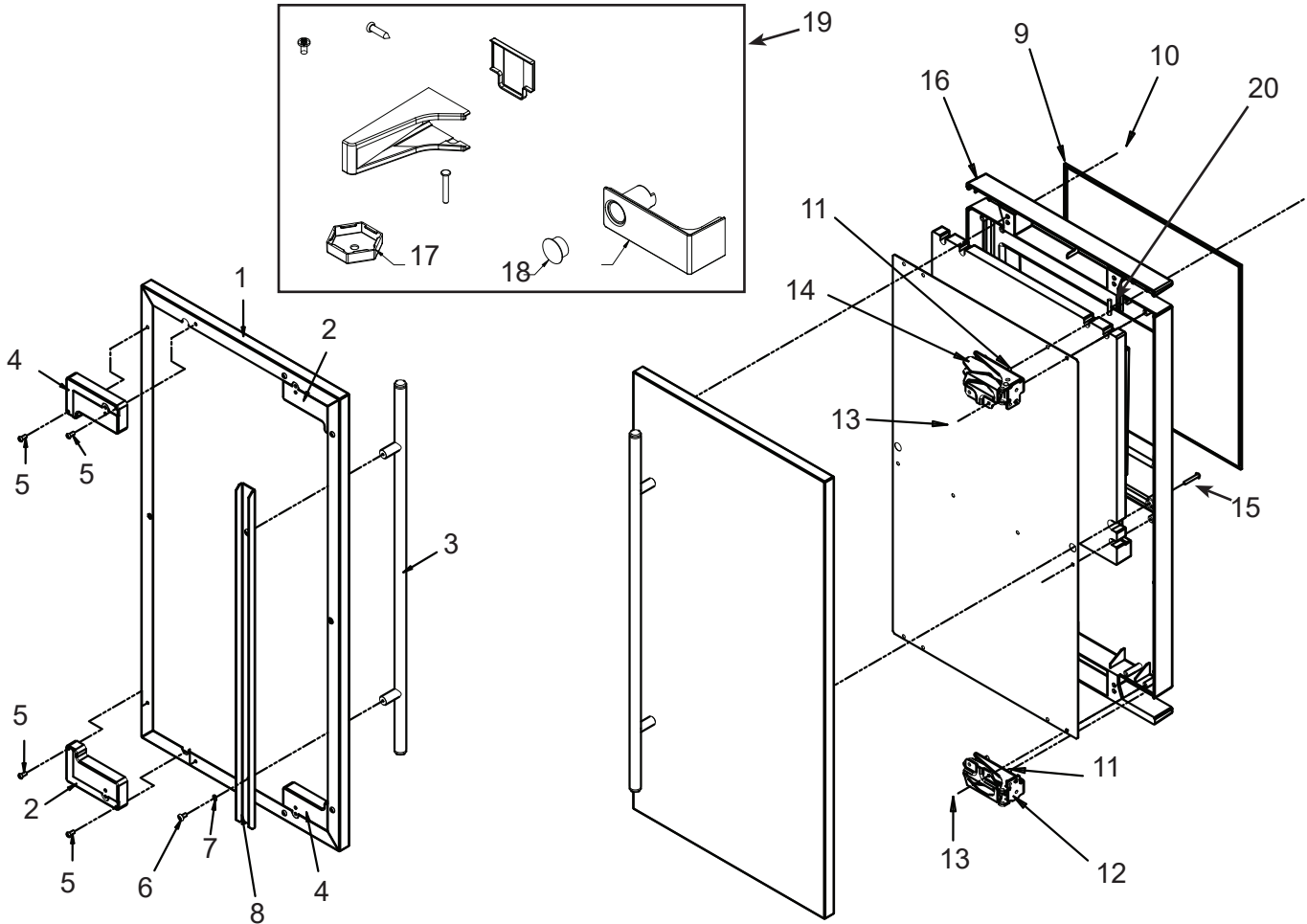
This is the illustrated parts list for the SRN110.
There are two models, one is a gravity drain and the other includes a drain pump. It is possible that some units could have had drain pumps field installed in them.

Contents

Door Components	2
Cabinet	3
Storage Bin and Ice Chute	4
Reservoir, Water Sensor and Misc.	5
Refrigeration	6
Under Bin Parts	7
Ice Making Section	8
Control System	9
Wiring Diagram	10
Schematic Diagram	11

SRN110 Service Parts

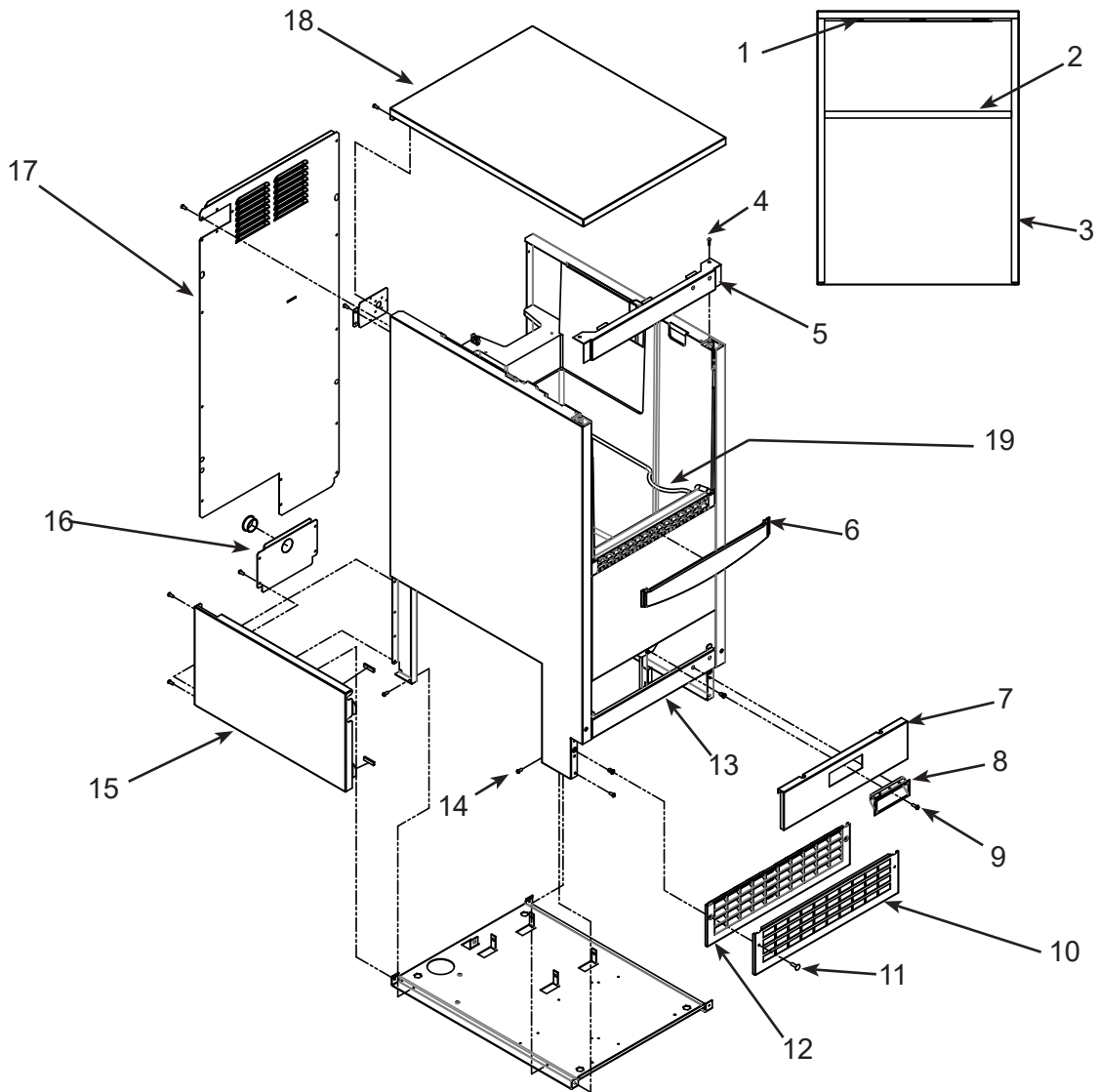
Door Components



Item Number	Part Number	Description	Part Number	Description
1	Door panel kit. Kit includes items 1 thru 8. KDFS SS panel, SS handle		16	A39513-001 Door assembly, does not include door panel or hinges
2	02-4433-01	Corner block, RH	17	02-4415-20 Leg cap, pack of 4
3	02-4430-01	Handle, SS	18	02-1875-07 Hole plug
4	02-4433-02	Corner block, LH	19	02-4474-01 Hinge package
5	03-1531-01	Screw	20	11-0580-01 Magnet, door switch
6	03-3811-01	Screw		
7	03-1410-07	Lockwasher		
8	A39390-001	Support bracket		
9	13-0949-03	Door gasket		
10	03-1404-40	Screw		
11	03-3818-01	Screw - hinge to cabinet		
12	02-3866-04	Hinge - top left/bottom right		
13	03-1404-24	Screw - hinge to door		
14	02-3866-03	Hinge		
15	03-1403-67	Screw		

SRN110 Service Parts

Cabinet

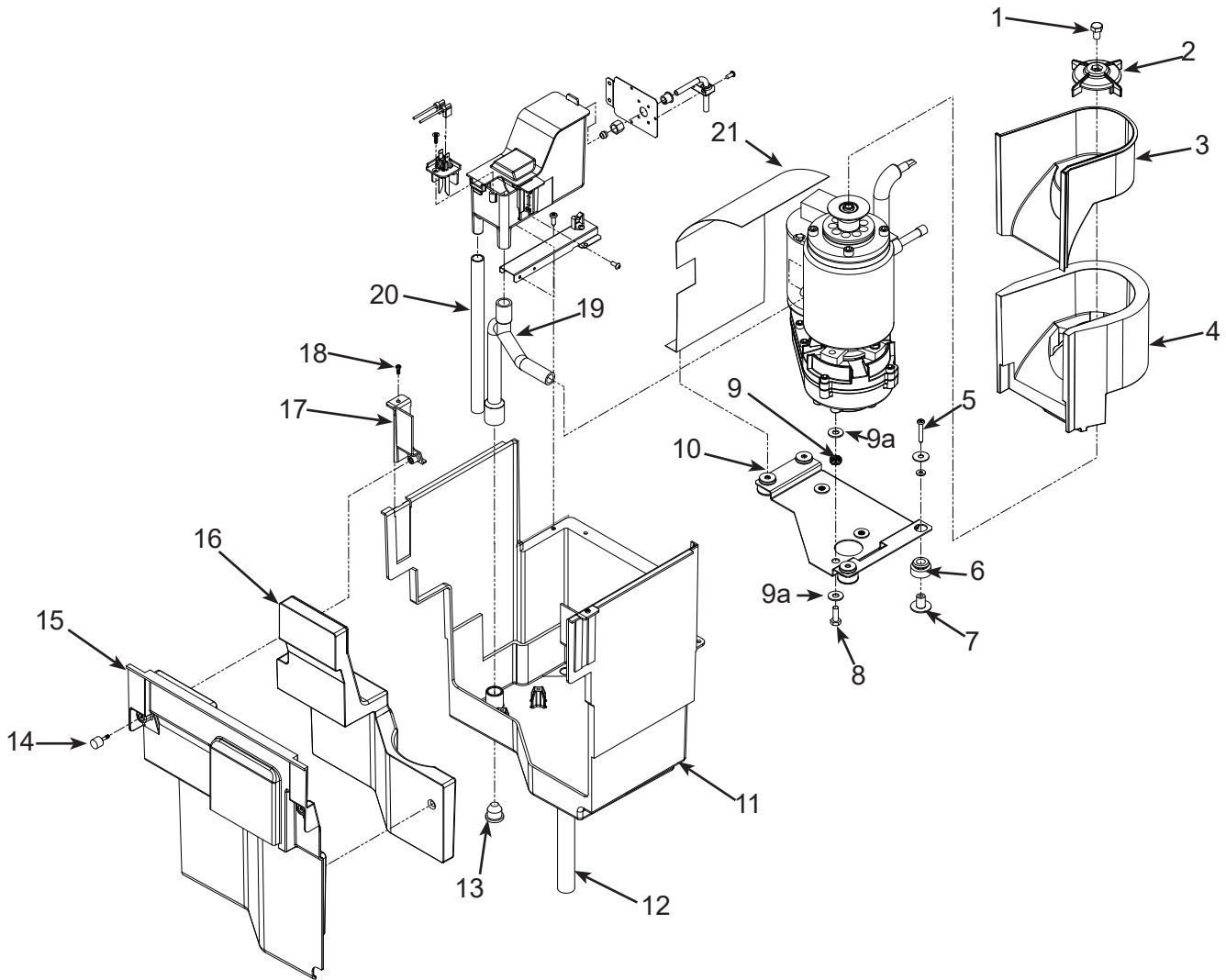


Item Number	Part Number	Description
1	13-0943-03	Gasket, top panel
2	13-0943-04	Gasket, top panel
3	13-0943-05	Gasket, top panel
4	03-3836-03	Screw
5	A39364-003	Top hinge brckt, hinge right
	A39364-007	Top hinge brckt, hinge L or R
6	02-4392-01	Inlay
7	A39381-003	Front service panel
8	02-4441-01	Handle
9	03-1403-86	Screw
10	A39469-001	Kick plate cover
11	03-3813-02	Screw
12	02-4390-01	Kick plate
13	A39385-003	Btm hinge brckt, hinge L or R
	A39385-006	Bottom hinge brckt, hinge left
14	03-1531-01	Screw
15	A39615-001	Side service panel
16	A39683-001	Drain panel
17	A41648-001	Back panel
18	A39362-003	Top panel only
18a	02-4426-01	Insulation, top panel
19	A34816-001	Scoop holder
Not Shown:		
	02-4391-03	Scoop

Note: Hinge mounting changed 1/12 to allow left or right mounting.

SRN110 Service Parts

Storage Bin and Ice Chute



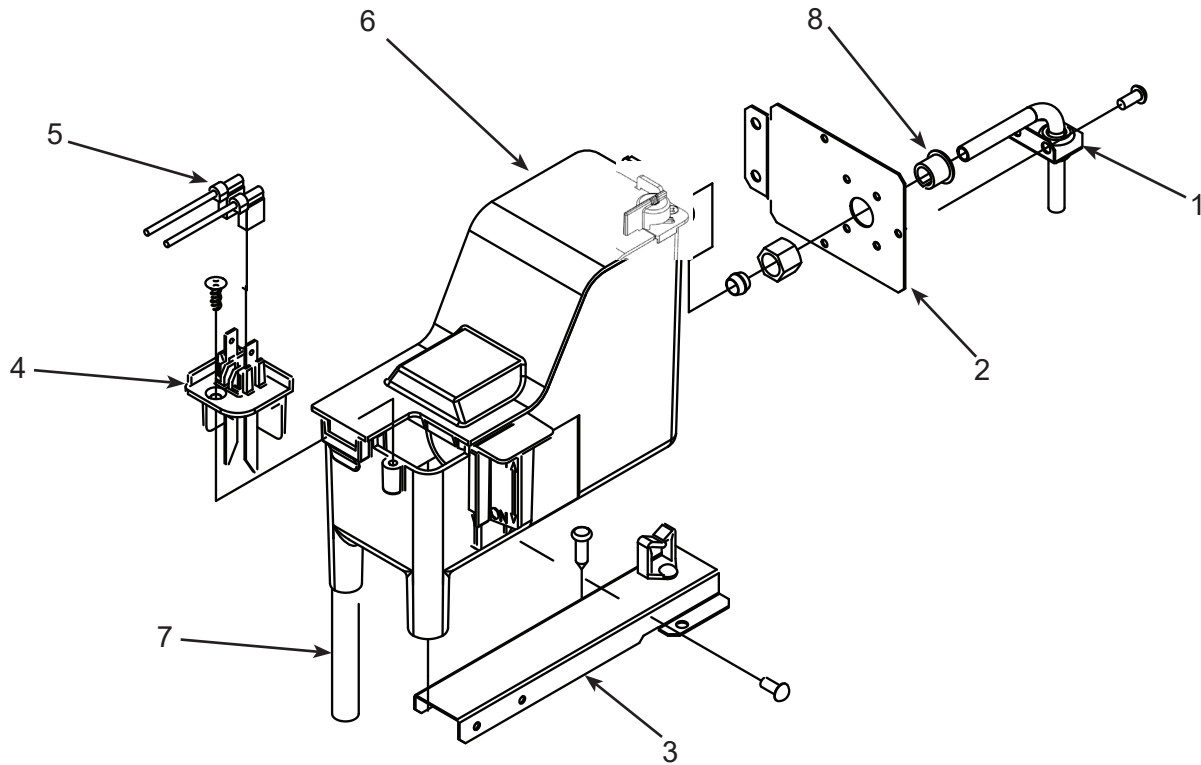
Item Number	Part Number	Description
1	03-1405-16	Screw, 5/16-18
2	02-4628-01	Ice sweep
3*	02-4728-01	Chute
4*	02-4729-01	Chute cover
5	03-1404-41	Screw
6	03-3935-01	Grommet
7	03-3936-01	Flanged bushing
8	03-1405-07	Cap screw
9	03-3937-01	Vibration grommet
9a	03-1407-06	Washer
10	A39681-001	Mounting plate only
11	02-4582-01	Shelf, gear and evap asy
12	A39792-001	Drain
13	13-0840-01	Drain plug
14	03-3892-01	Thumb screw
15*	02-4730-01	Compartment Cover
16*	02-4602-01	Insulation for item 15

17	02-4375-02	Support bracket, left
	02-4375-01	Support bracket, right
18	03-3836-03	Screw
19	02-4572-01	Tube, reservoir to evap
20	13-0674-09	Tubing, 9 inches needed
21	02-4845-01	Shield

* Items 3, 4, 15 and 16 changed together on 9/25/2013 with serial number 13091320014771. Items 3, 4, 15 and 16 cannot be mixed with prior production. Order kit A40144-021 to get the set. Items 20 and 21 added in 2014.

SRN110 Service Parts

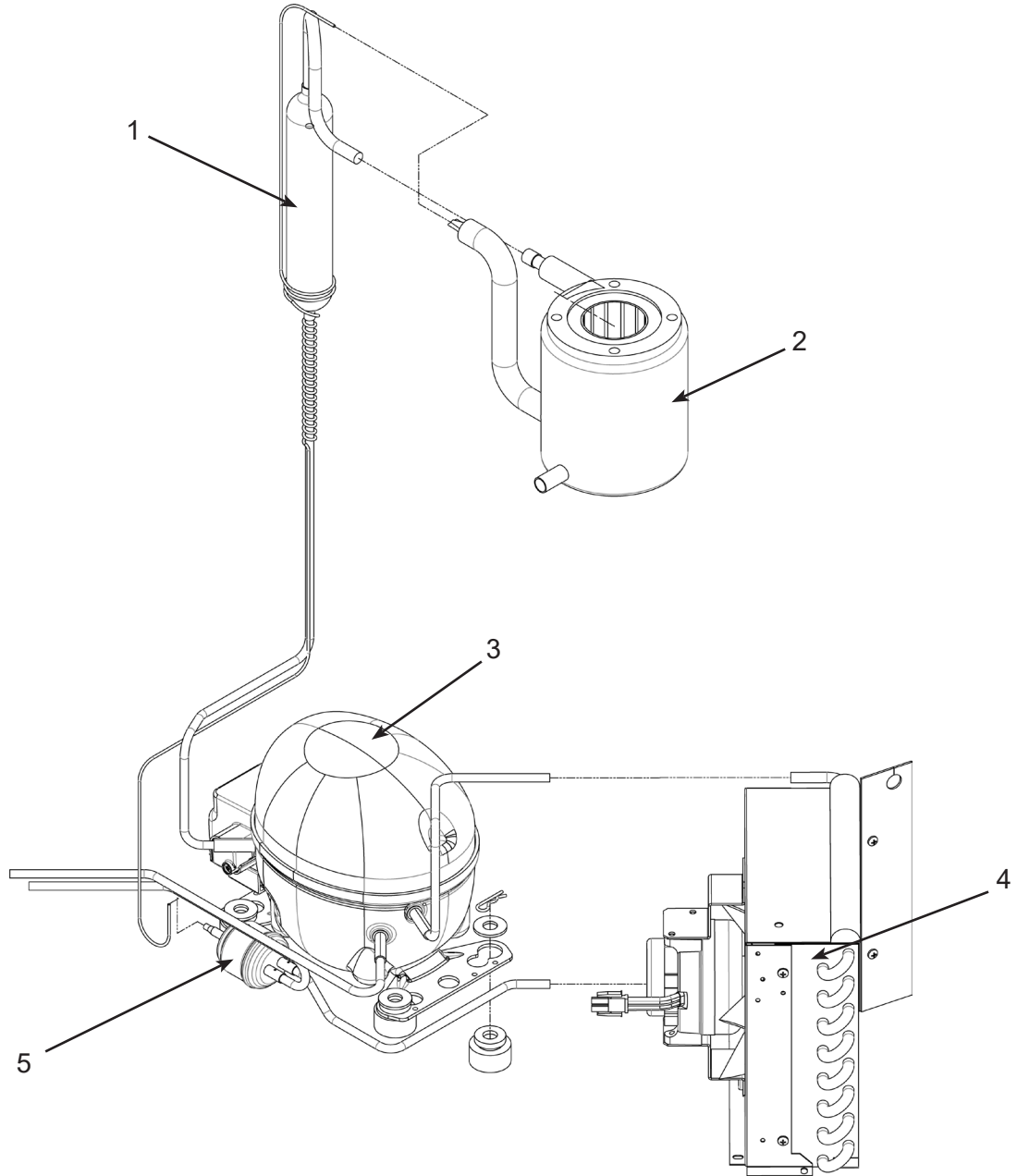
Reservoir, Water Sensor and Misc.



Item Number	Part Number	Description
1	A39826-001	Brace
2	A39693-001	Bracket
3	A39775-001	Reservoir mounting bracket
4	A40666-001	Water level sensor
5	12-3039-01	Water sensor harness
6	A40664-001	Reservoir knob w/valve and cover
6a	02-2217-02	Float and valve only
7	13-0674-09	Overflow hose - added 2014
8	12-1213-04	Bushing
Misc:		
1m	19-0664-01	Pre-Mixed Squirt Bottle of Clear 1 scale remover
2m	19-0664-12	12 pack of item 1m
3m	19-0653-12	Case of undiluted Clear 1 scale remover
(To make Per-Mixed dilute 1.25 oz of Clear 1 to 16 oz warm water)		

SRN110 Service Parts

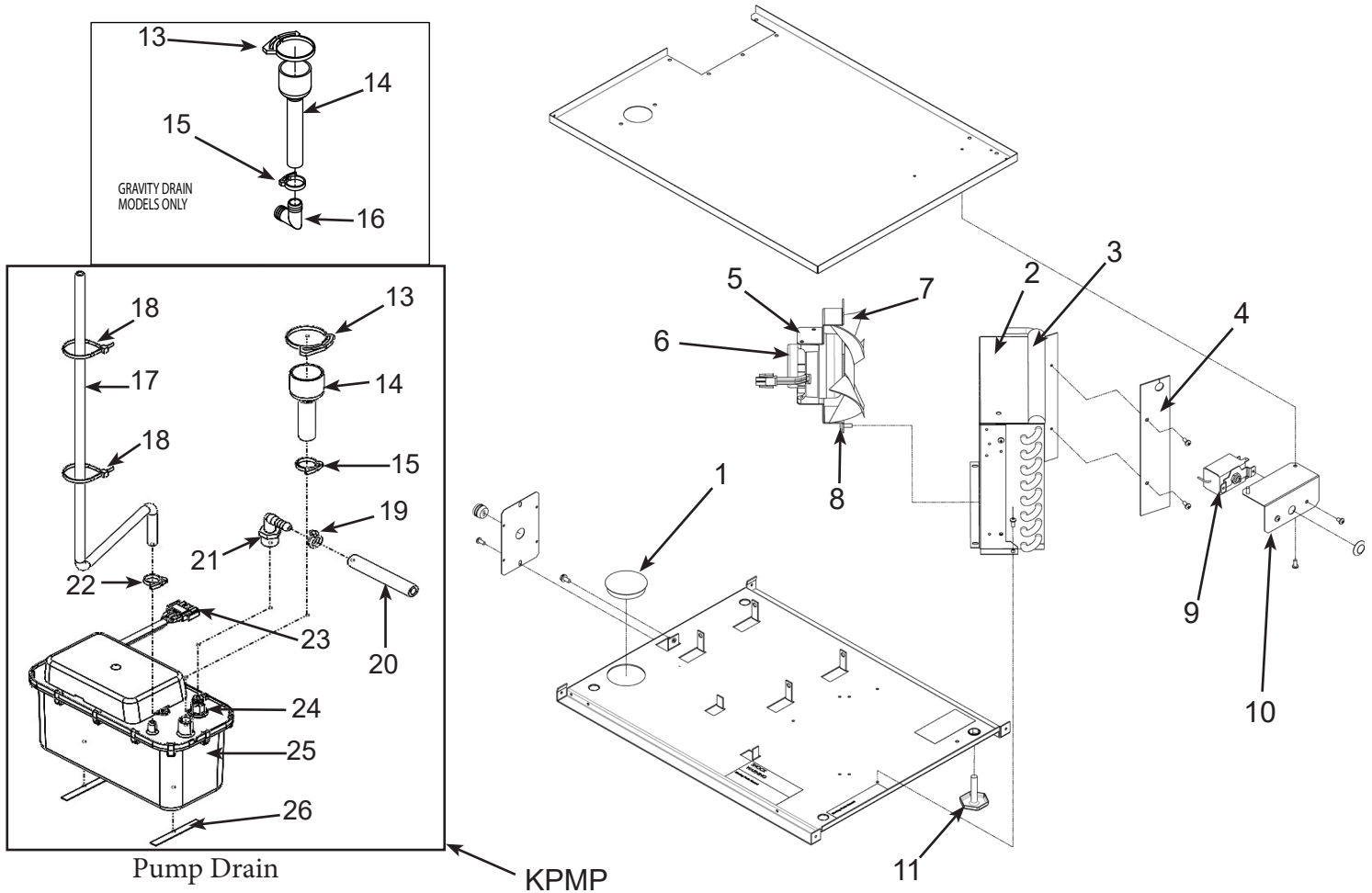
Refrigeration



Item Number	Part Number	Description
1	A41554-001	Heat exchange assy
2	A41036-003	Gearbox freezer assembly
3	18-9000-21	Compressor
		Compressor includes overload, relay and drier
3a	18-9000-51	Overload
3b	18-9000-52	PTCR
4	18-8940-01	Condenser
5	16-1219-02	Drier

SRN110 Service Parts

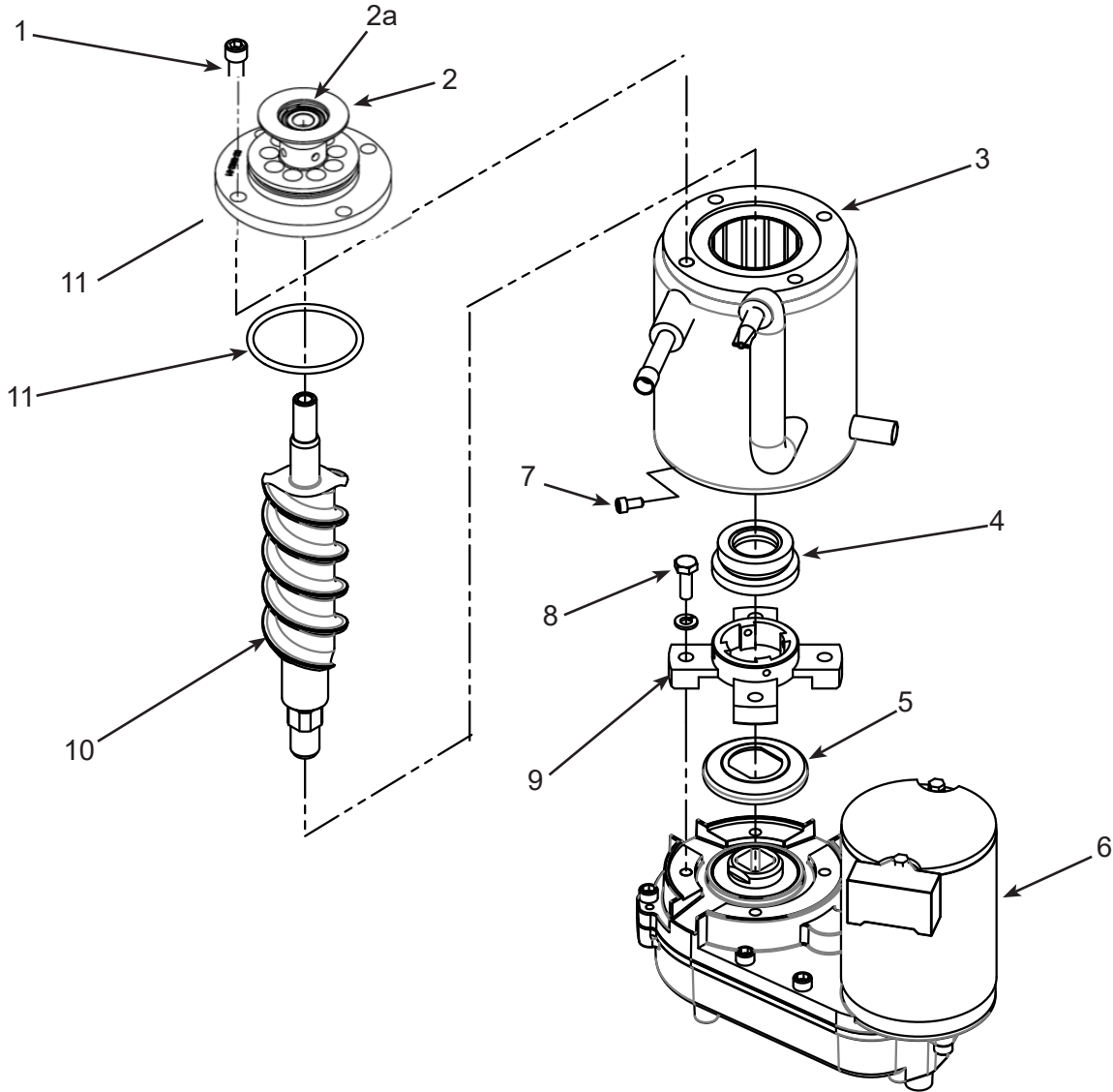
Under Bin Parts



Item Number	Part Number	Description	Item Number	Part Number	Description
1	02-1875-18	Dome hole plug	21	02-3522-01	Discharge elbow
2	A39460-001	Shroud	22	02-2814-04	Hose clamp
3	13-0909-01	Gasket - order 1 & cut to fit	23	03-1736-01	Cable mount
4	02-4450-01	Air baffle	24	19-0672-01	Thread sealant
5	A39556-001	Fan motor bracket	25	12-3196-21	Drain pump assembly
6	12-3024-01	Fan motor	26	19-0642-02	Adhesive tape
7	02-4197-01	Fan blade		12-3209-01	Pump harness (not pictured)
8	03-3818-01	Screw		KPMP	Use to convert gravity drain to pump drain. Includes 12-3196-21
9	11-0670-01	Bin thermostat R290			
10	A39379-001	Bin stat bracket			
11	03-1608-01	Leg leveler			
13	02-2814-13	Hose clamp			
14	02-4412-02	Drain hose			
15	02-2814-08	Hose clamp			
16	16-0671-01	Elbow			
17	02-5237-01	Drain pump vent tube			
18	02-1798-01	Cable Tie			
19	02-0534-02	Hose clamp			
20	A37334-001	Discharge hose			

SRN110 Service Parts

Ice Making Section

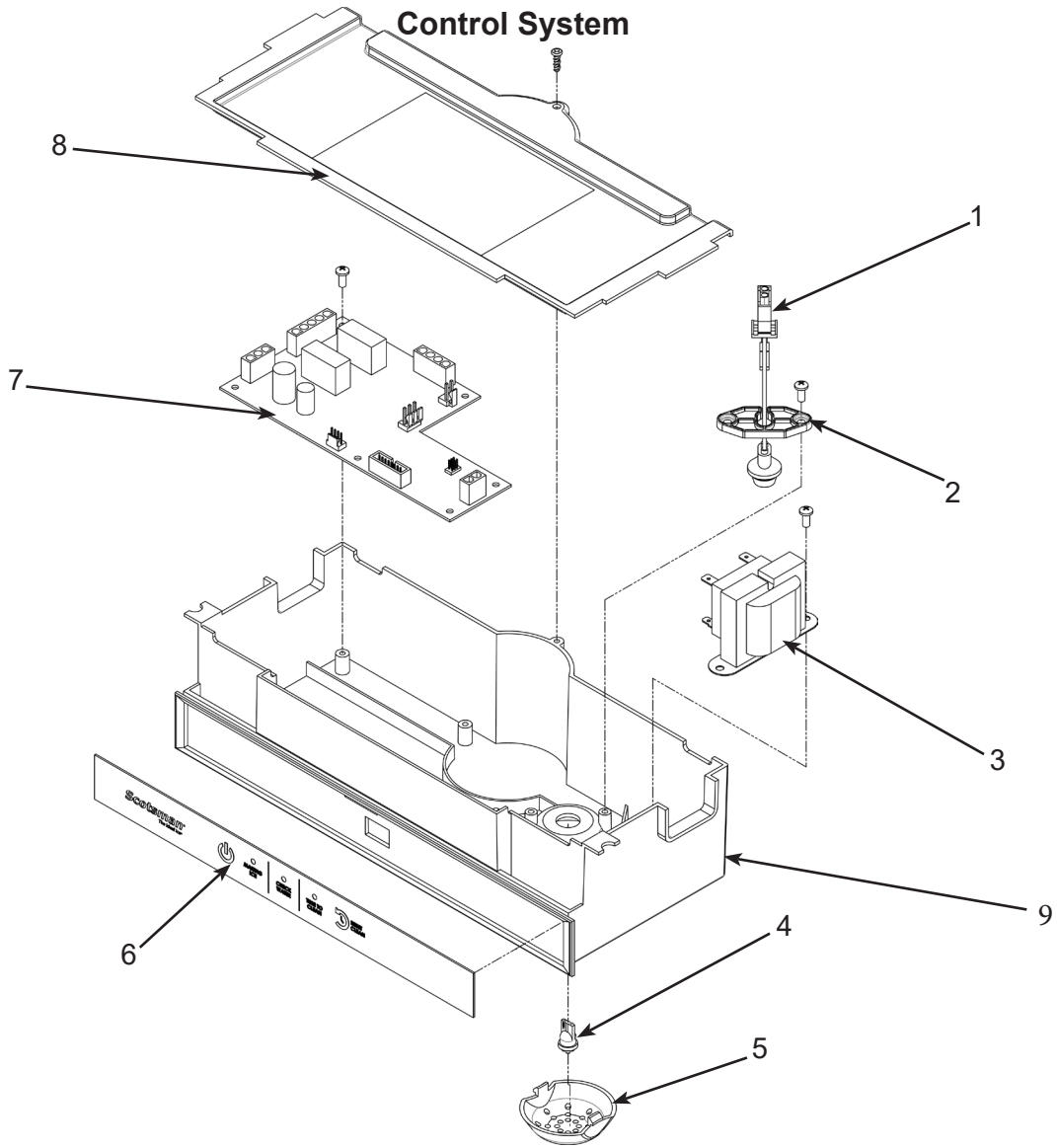


Item Number	Part Number	Description
1	03-1544-08	Cap screw
2	A39531-001	Breaker w/bearing
2a	02-4619-01	Bearing only
3	02-4558-01	Evaporator
4	02-4599-21	Water seal
5	02-4662-01	Water shed
6	02-4580-23	Gear reducer and motor also includes #5
7	03-1544-04	Cap screw
8	03-1405-54	Cap screw
9	02-4625-01	Adapter
10	02-4591-21	Auger
11	13-0617-58	O-ring

* Must connect wires correctly. See label on motor.

SRN110 Service Parts

Control System

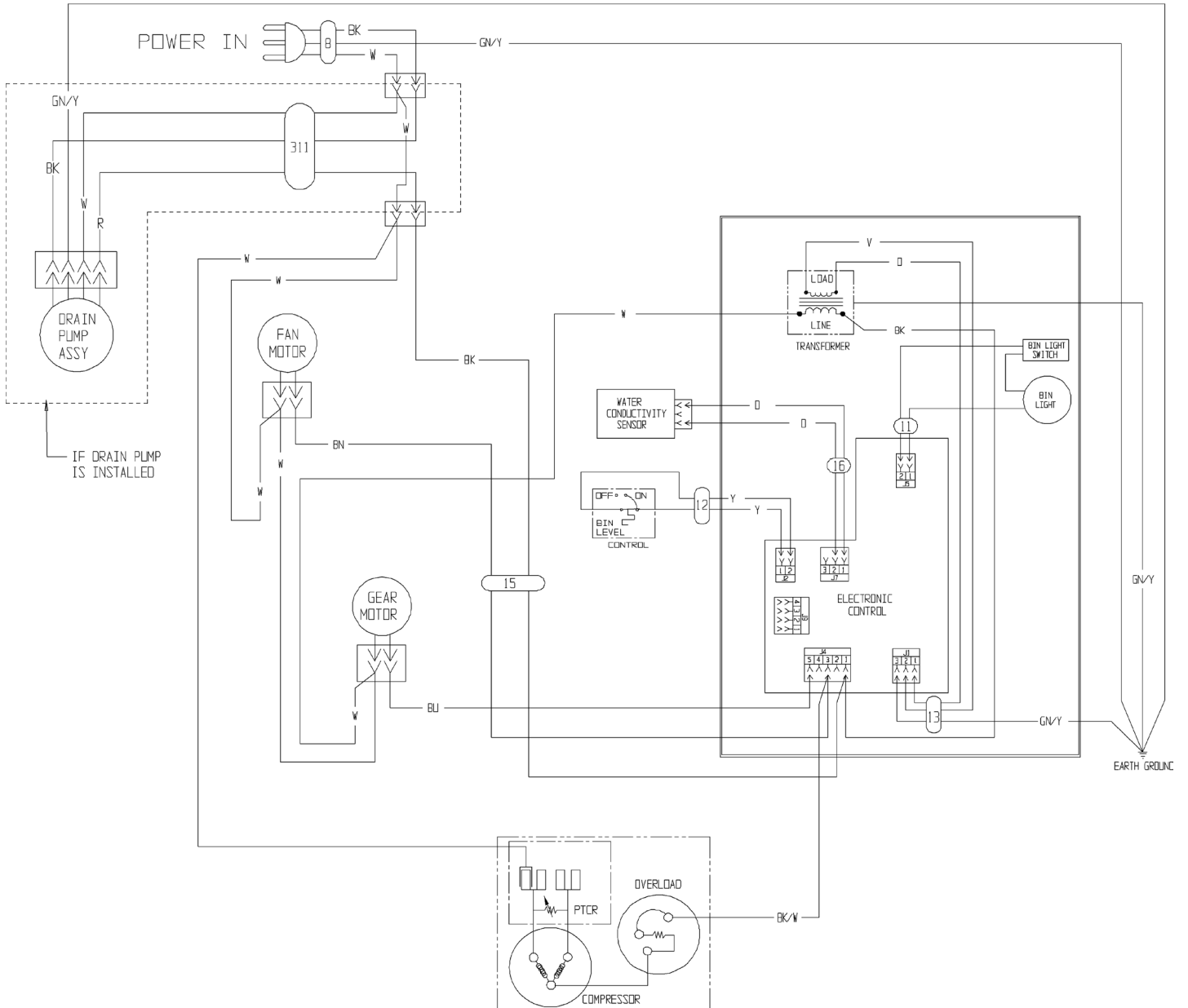


Item Number	Part Number	Description
1	12-3076-01	Bin light harness
2	02-4994-01	Bulb retaining bracket
3	12-2924-01	Transformer
4	12-3077-01	Bulb
5	02-4380-01	Light cover
6	11-0669-21	Control panel overlay
7	11-0664-21	Controller
8	02-4386-01	Cover
9	02-4382-01	Box only

Not Shown
 NS1 12-1638-21 Power cord

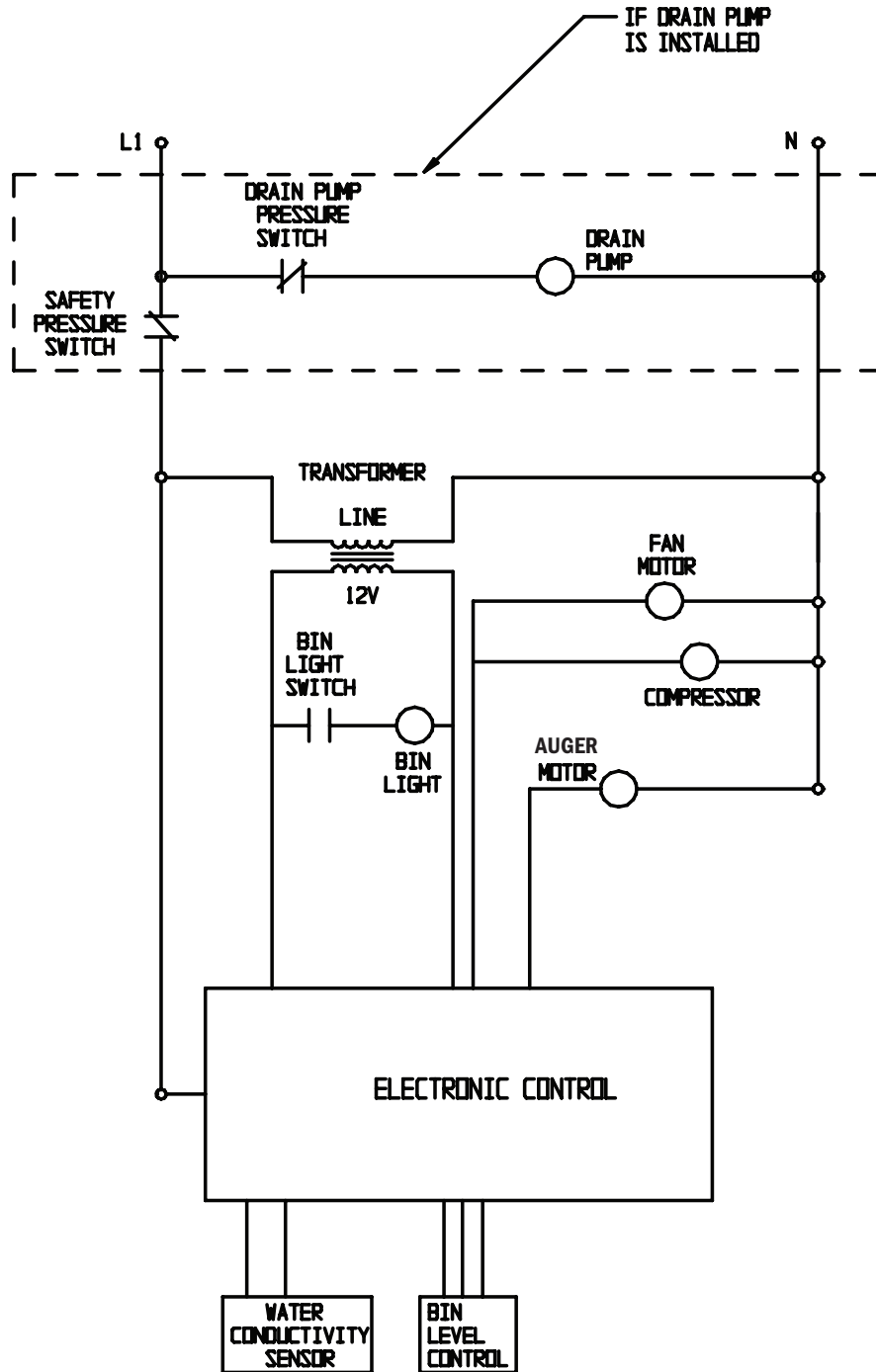
SRN110 Service Parts

Wiring Diagram



SRN110 Service Parts

Schematic Diagram



SWITCHES ON THIS UNIT
SHOWN IN FREEZE CYCLE
WITH DRAIN PUMP IN OPERATION
AND BIN DOOR CLOSED

SCOTSMAN ICE SYSTEMS
101 Corporate Woods Parkway,
Vernon Hills, IL 60061
www.scotsman-ice.com