

SRN110 – 110 lb Nugget Ice Machine

Brilliance® Under-Counter Nugget Ice Machine



Features

- 15" cabinet width, produces up to 110 lbs. of nugget ice in 24 hours
- Uses 40% less energy and more than 50% less water than gourmet cube ice machines
- Accepts custom wood panel to match surrounding cabinetry
- Approved for indoor or outdoor use
- Lighted bin
- Concealed door hinge system
- User-friendly control panel informs whether power is on, alerts a no-water condition, and time to clean reminder
- Available with built-in drain pump
- Field reversible door
- **Protected with AgION®, a silver-based antimicrobial compound molded into key ice machine components in order to guard internal surfaces between cleanings.**

24 Hour Ice Production & Storage Capacity

70°F/21°C Air 50°F/10°C Water lb / kg	90°F/32°C Air 70°F/21°C Water lb / kg	Bin Storage Capacity lb / kg
110 / 49.9	80 / 36.3	26 / 12



Control Board



Scoop



• Units installed in elevations greater than 3,000 feet or 900 meters above sea level require an altitude adjustment to maintain proper ice level.



Nugget Ice

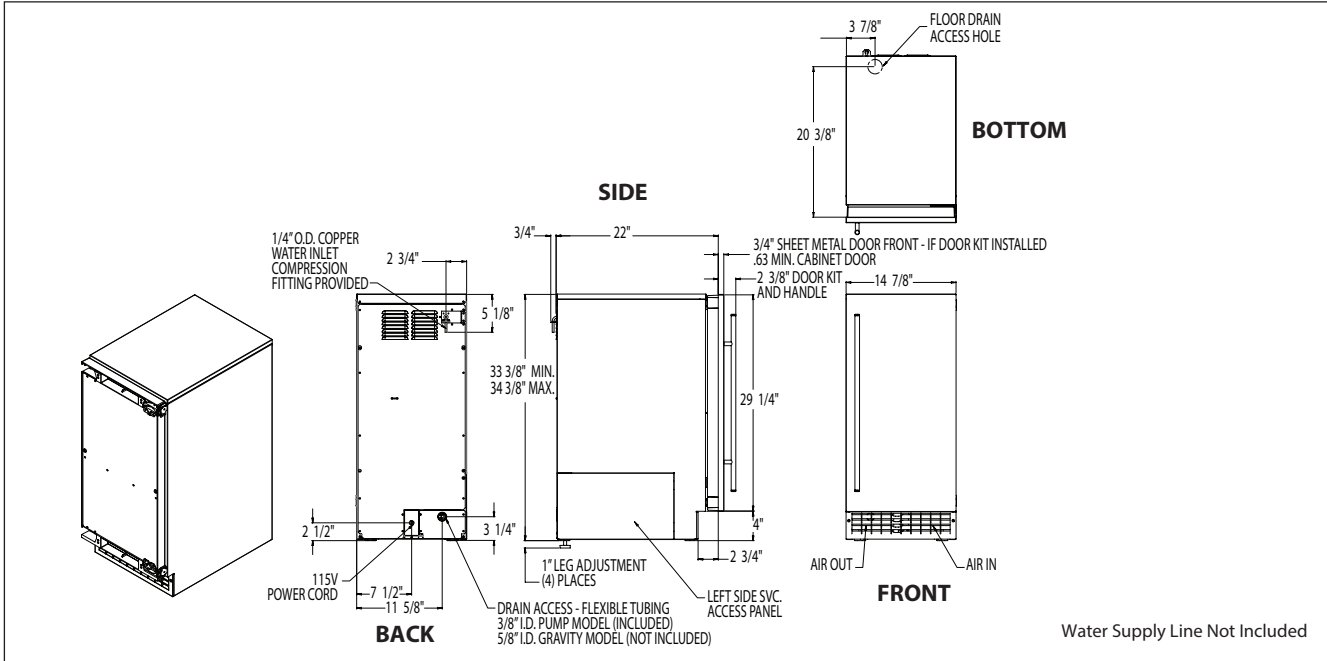


The Original Chewable Ice™.
Soft ice ideal for beverages
and blended drinks.

Warranty

- 2 years parts and labor on all components.
- 5 years parts on the compressor only.

Warranty valid in North America.



All Models

24 Hour Ice Production:
(70° Air/50° Water) 110 lb / 49.9 kg
(90° Air/70° Water) 80 lb / 36.2 kg

Bin Storage Capacity: 26 lb / 12 kg

Condenser Type: Air

Basic Electrical: 15a dedicated circuit required
(Volts/Hz/Phase) 115/60/1

Amps: 5

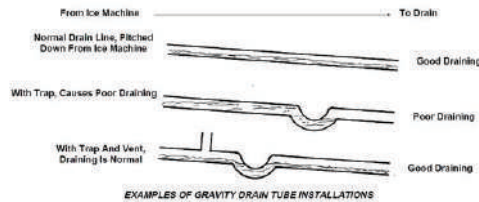
Refrigerant: R290

Dimensions (W x D x H):
Unit (without legs adjusted):
14.875" x 22" x 33.375"
(37.8 x 57.8 x 84.78 cm)

Shipping Carton: 18" x 28" x 38"
(45.7 x 71.1 x 96.5 cm)

Specifications

Model	Finish Cabinet / Front	Drain Type	Shipping Weight lb / kg
SRNG110A-1SU	Stainless Steel / Unfinished	Gravity	124 / 56
SRNG110A-1SS	Stainless Steel / Stainless Steel	Gravity	133 / 60
SRNP110A-1SU	Stainless Steel / Unfinished	Pump	129 / 59
SRNP110A-1SS	Stainless Steel / Stainless Steel	Pump	138 / 63



SRNG: Gravity flow drain tube
SRNP: Built-in pump to expel drain water which includes 10' drain tube

Accessories

Model	Description	Shipping Weight lb / kg
KDFS	Stainless Steel Door Front Kit	12 / 5.5
KATB	Anti-Tip Bracket Kit	2 / 0.9
KDFR	Retro-Fit Door Front Kit	8 / 3.6
19-0664	Clear One Pre-Mixed Scale Remover	

Operating Requirements

	Minimum	Maximum
Air Temperatures	50°F (10°C)	100°F (38°C)
Water Temperatures	40°F (4.4°C)	90°F (38°C)
Water Pressures	20 PSIG (1 bar)	80 PSIG (5 bar)
Electrical Voltage	-10%	+10%

Machine requires voltage indicated on the rating nameplate. Scotsman SRC065 and SRN110 models are approved for outdoor installations. All products must operate where air temperature does not fall below 50°F and does not exceed 100°F. Extended periods of operation at temperatures exceeding these limitations constitute misuse under the terms of Scotsman Manufacturer's Limited Warranty, resulting in a loss of warranty coverage. Failures caused by improper installation are not considered factory defects. Refer to owner's manual for complete installation requirements. Please note: when installed in a corner, the door swing may be limited due to handle contact with the wall or cabinet face.