



# USER GUIDE

## 300 SERIES RAZOR SPEAKERS

Scan for Specifications



# TABLE OF CONTENTS

<a href="#">Features &amp; Benefits</a>	1
<a href="#">Wiring Installation</a>	1
<a href="#">Sound Tuning</a>	1
<a href="#">Setup &amp; Installation Guidelines</a>	1
<a href="#">Specifications</a>	2
<a href="#">Warranty Information</a>	3

## INSTALLATION INSTRUCTIONS

<a href="#">Wall</a>	4
<a href="#">Corner-Ceiling</a>	11
<a href="#">Corner Wall</a>	19
<a href="#">Dual Stereo</a>	27

# 300 SERIES RAZOR SPEAKERS

## FEATURES & BENEFITS

- Custom-designed, engineered, and optimized ultra-shallow drivers to provide impressive performance from a slim enclosure.
- The Acoustic Fractal Waveguide™ tweeter bridge dramatically improves clarity and efficiency.
- Installation flexibility in many forms for wall mounted, corner mounted, and ground mounted applications.
- High quality materials and construction built to Defy the Elements.™
- Built to be part of a complete patented Coastal Source Plug+Play™ system or can be easily integrated into existing systems.

## WIRING INSTALLATION

All Coastal Source speakers feature our patented Coastal Connector for a waterproof direct burial connection (see Figure 1). For connecting to a Coastal Source amplifier just select the appropriate cable lengths and y-cables and Plug+Play™ the speakers to the amplifier. For connection to 3rd party (non-CS) amplifiers, Coastal Source pigtail cables are included to convert the Coastal Mini Connector™ on the speaker to a typical 2 conductor bare wire that can be spliced in to a conventionally wired system (see Figure 2).

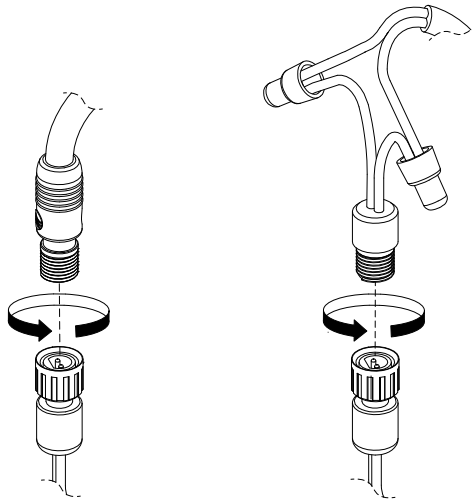


Figure 1 (CMC P+P)

Figure 2 (spliced)

RAZOR INPUT COLOR CODING - 300 SERIES						
	FULL RANGE	SAT	SUB	LEFT	CENTER	RIGHT
RZ310		●	●			
RZ320			●	○		●
RZ330			●	○	●	●
RZ340	●					
RZ350			●			

## SOUND TUNING

Note that optimal sound tuning is subjective and specific to each listener so there are no hard and fast rules for optimizing the sound of a Coastal Source system. We have designed our systems with flexibility to allow you to shape the sound to your personal preferences. The following information is offered as a brief guide. It is highly recommended to take the time to experiment and tune the system to achieve your desired sound.

NOTE: Coastal Source outdoor audio systems are the clearest and most efficient on the market, but they are not designed to run at 100% volume full-time. If the system is going to be played at loud volumes for an extended period of time, Coastal Source recommends setting the volume to 75-80%.

### Speaker Placement

#### Mounted flat on a wall surface

Large and open sound stage with a clean and fuller frequency balance.

#### Mounted in a corner

Medium sound stage with a heavier bass balance.

## SETUP & INSTALLTION GUIDELINES

### Spacing Guidelines

Maximum distance between speakers: 40'

Minimum distance between speakers: 12'

### Speaker Coverage Guidelines

Each Razor speaker can cover 50-500 sqft of listening space.

### Creating Listening Areas

For larger listening areas, surround the area with speakers equidistant from the prime listening position, crisscrossing or alternating the left and right channels.

For smaller listening areas, simply aim speakers in toward the listening positions.

## SPECIFICATIONS

U.S. Design Patent: D1,034,528 S

### RZ300 SERIES SPECIFICATIONS

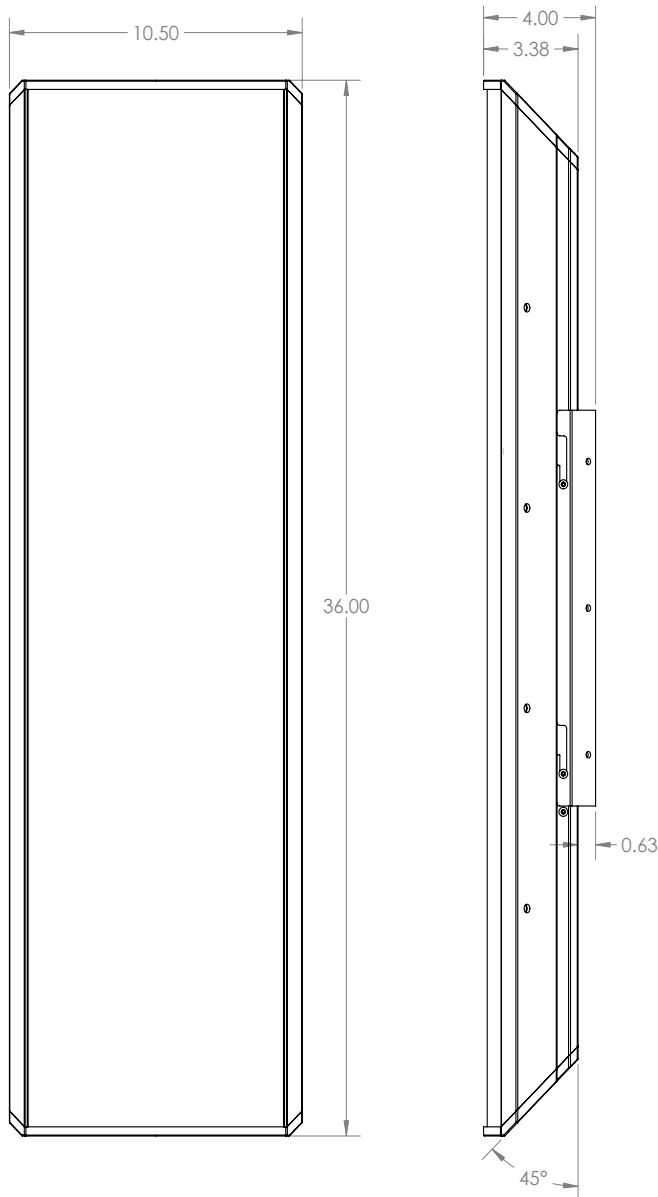
Size (H x W x D): 36in x 10.5in x 3.38in

Size with bracket (H x W x D): 36in x 10.5in x 4in

Construction: Aluminum extrusion, Aluminum wall bracket,  
Kydex composite grille

Finish: White or Black Powder Coat

Mounting: Corner, Surface



### RZ310 HIGH POWER 3-WAY RAZOR SPEAKER

Weight: 30.6 lbs.

Driver Complement: 5.25" coaxial, 4x 5.25" LF Woofers

Power Handling: 75W SAT / 400W SUB

Frequency Response: 100Hz-20kHz SAT, 40-100Hz SUB  
(@-6dB with EQ present)

Sensitivity: 88dB SAT / 86dB SUB (1W/1m)

Dispersion: 110° conical (@-6dB)

Impedance: 8 ohms SAT, 8 ohms SUB

Speaker Connector: 2x CMC Male Pigtails (bi-amplified)

### RZ320 RAZOR 2.1 SOUNDBAR

Weight: 26.6 lbs.

Driver Complement: 2x 5.25" coaxial, 3x 5.25" LF woofers

Power Handling: 75W SAT (x2) / 300W SUB

Frequency Response: 100Hz-20kHz SAT, 40-100Hz SUB  
(@-6dB with EQ present)

Sensitivity: 88dB SAT / 85dB SUB (1W/1m)

Dispersion: 110° conical (@-6dB)

Impedance: 8 ohms SAT, 8 ohms SUB

Speaker Connector: 3x CMC Male Pigtails (tri-amplified)

### RZ330 RAZOR LCR SOUNDBAR

Weight: 31.4 lbs.

Driver Complement: 3x 5.25" coaxial, 2x 5.25" LF woofers

Power Handling: 75W SAT (x3) / 200W SUB

Frequency Response: 100Hz-20kHz SAT, 40-100Hz SUB  
(@-6dB with EQ present)

Sensitivity: 88dB SAT / 83.5dB SUB (1W/1m)

Dispersion: 110° conical (@-6dB)

Impedance: 8 ohms SAT, 8 ohms SUB

Speaker Connector: 4x CMC Male Pigtails (quad-amplified)

### RZ340 RAZOR LINE SOURCE SPEAKER

Weight: 33.6 lbs.

Driver Complement: 6 x 5.25" coaxials

Power Handling: 500W

Frequency Response: 100Hz-20kHz (@-6dB with EQ present)

Sensitivity: 93dB (1W/1m)

Dispersion: 100° horizontal, 28° high vertical

Impedance: 6-8 ohms

Speaker Connector: CMC Male Pigtail

### RZ350 RAZOR SUBWOOFER SPEAKER

Weight: 27.3 lbs.

Driver Complement: 4x 5.25" LF woofers

Power Handling: 400W

Frequency Response: 40Hz - variable, present dependent  
(@-6dB with EQ present)

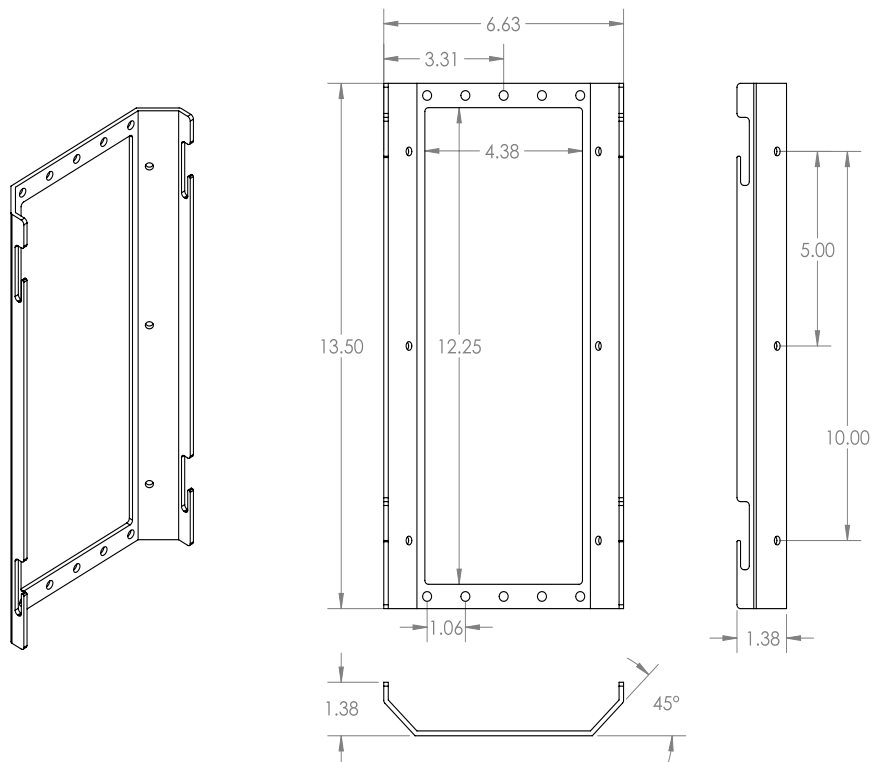
Sensitivity: 86dB (1W/1m)

Dispersion: Omnidirectional-horizontal, 180° - vertical

Impedance: 8 ohms

Speaker Connector: CMC Male Pigtail

## BRACKET DIMENSIONS



## WARRANTY INFORMATION

COASTAL SOURCE warrants its goods against defects in material and functionality. At COASTAL SOURCE's sole discretion, COASTAL SOURCE will either repair or replace (at no charge) any properly installed and maintained COASTAL SOURCE goods that fail under normal operating conditions within the specified warranty period noted below. All goods are warranted from the date of invoice, provided they are returned to the corporate office for inspection (transportation prepaid) and determined defective under the terms of the warranty. This warranty covers only equipment manufactured by COASTAL SOURCE and does not extend to transportation, installation, labor compensation, or replacement charges, nor does it apply to any equipment of another manufacturer used in conjunction with COASTAL SOURCE equipment. Our warranty becomes null and void in the event of damage to the product resulting from breakage due to abuse or misuse; repairs, alterations or modifications of the product by anyone other than authorized representatives thereof; damage resulting from accidents, vandalism, acts of nature, and improper use. See Lifetime Care Program for additional options.

This product bears a five (5) year limited warranty.\*

\* All Coastal Source products bear a 2-year limited warranty for commercial/non-residential installations.

### Filing a Claim

To file a warranty claim, please contact us to receive a Return Materials Authorization number (RMA) and a return shipping label:

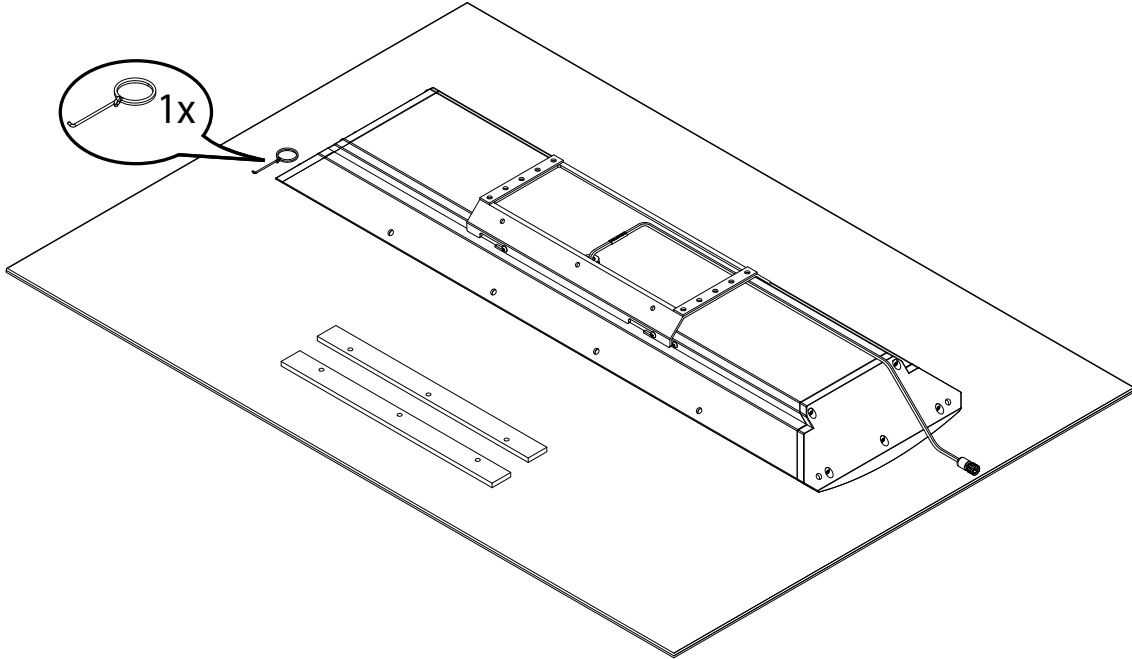
WARRANTY CLAIMS DEPARTMENT  
1.800.719.1996

warranty@coastalsource.com

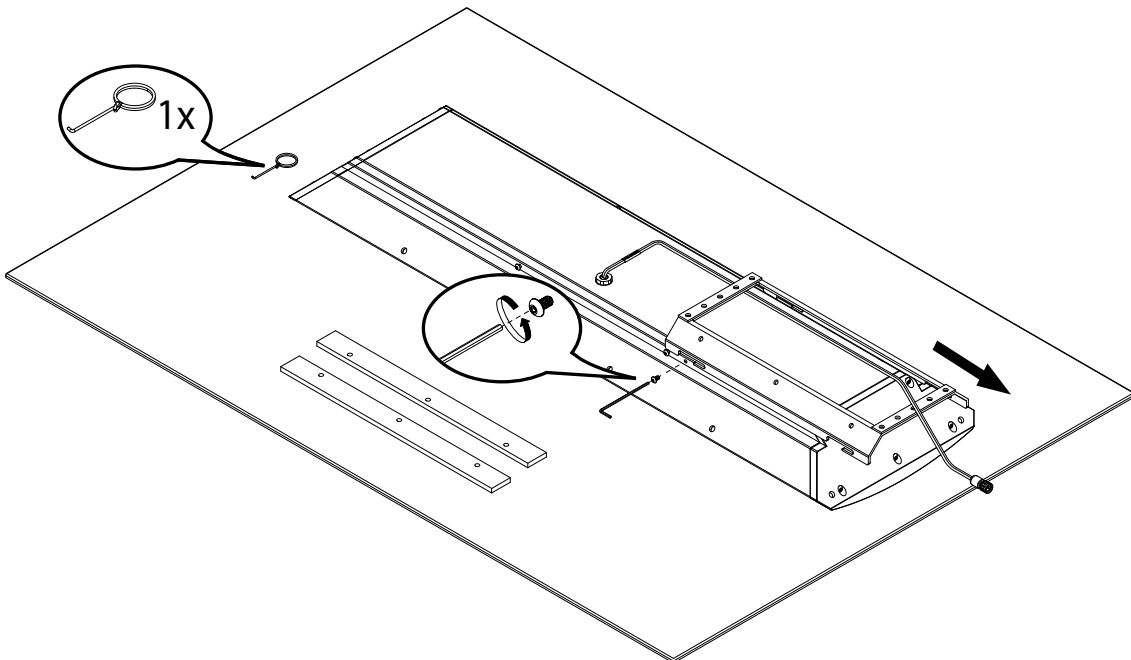
*Please include your contact information,  
a copy of your receipt and reason for the return.*

# WALL

- 1 Carefully remove speaker assembly, RingKey, and foam strips from the box, setting on a soft surface so as not to mar the finish.

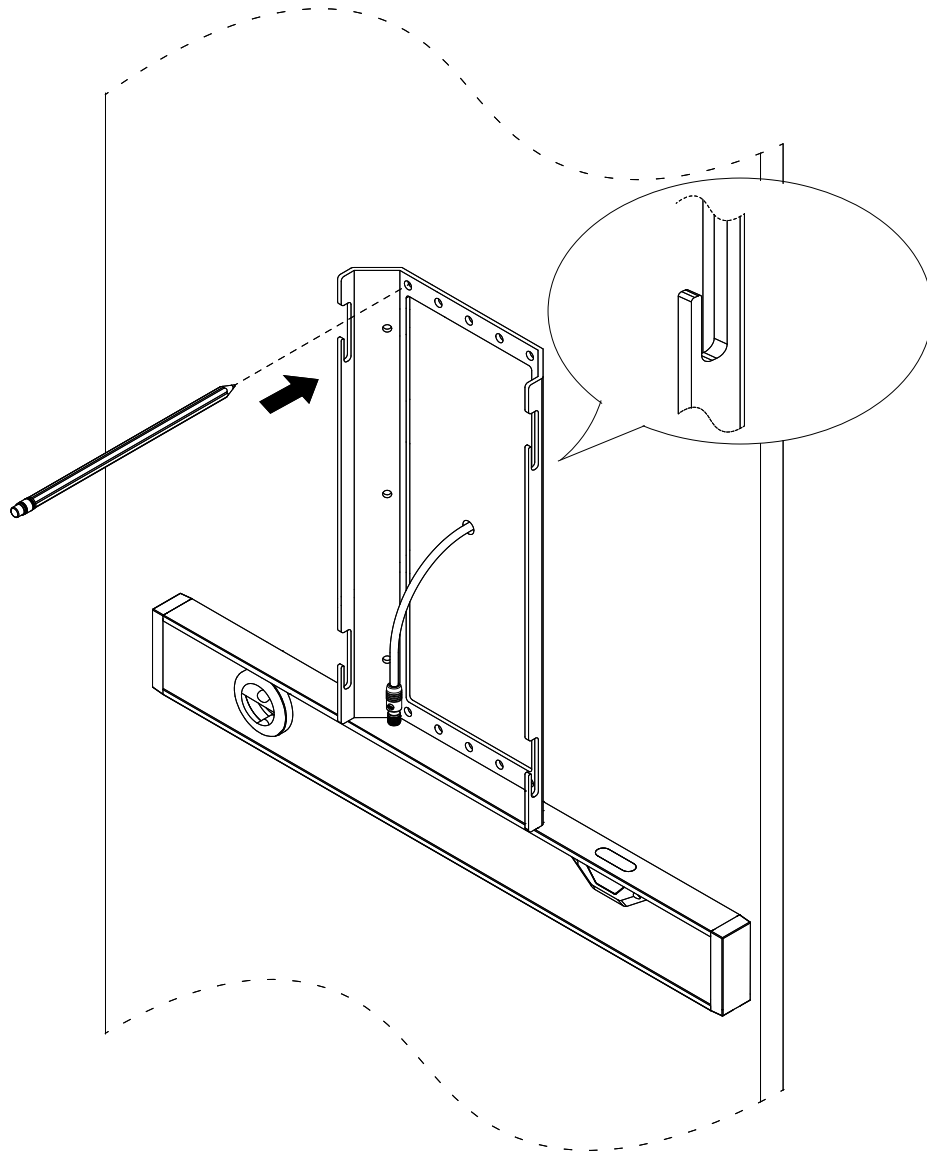


- 2 Using a 3/32" Hex Key, remove the two locking screws beneath the attached mounting bracket, and loosen the four screws attaching the bracket to the speaker so that the bracket moves freely. Remove the mounting bracket from the speaker.

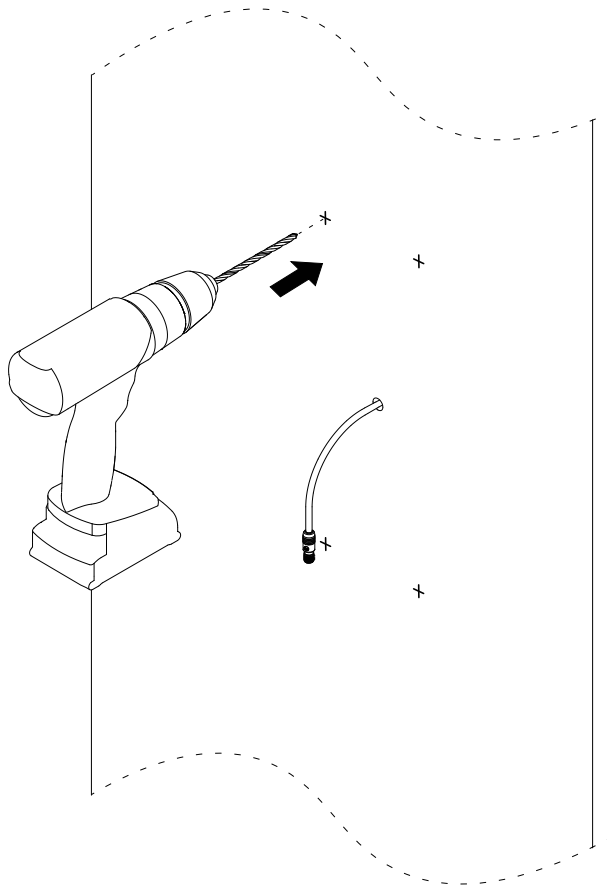


# WALL

- 3 Place the mounting bracket (ensuring slots are facing up) on the wall in the intended mounting location. Be sure that the speaker wire penetration point is somewhat centered in the bracket. With the help of a level, mark at least four holes on the wall through the holes of the bracket.

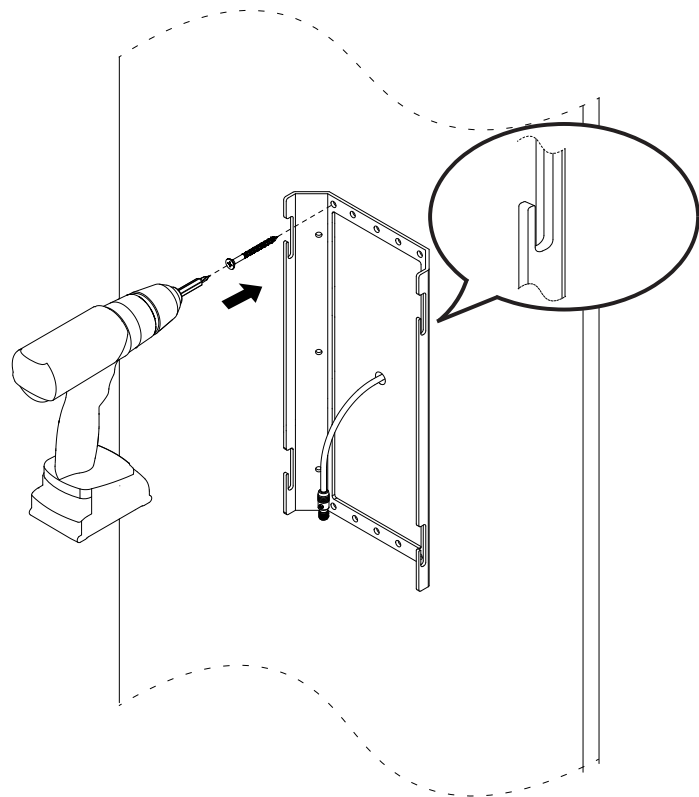


# WALL



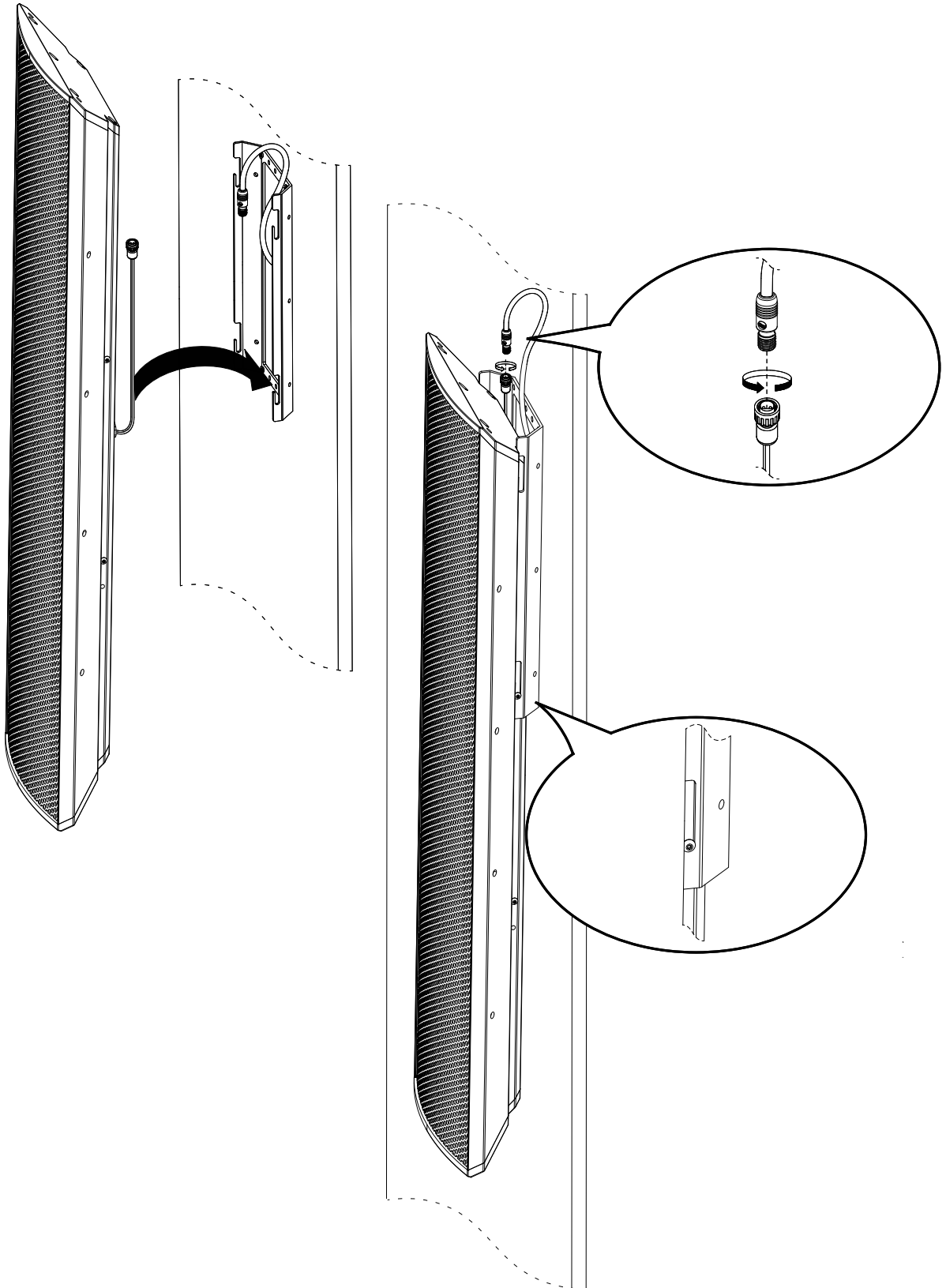
- 4 Remove the bracket and drill the appropriate sized pilot holes for your intended fasteners at the marked location to prepare for final mounting.

- 5 Again ensuring that slots are facing up, place mounting bracket back against the wall in the intended location. Using the appropriate fasteners, secure the mount to the wall.



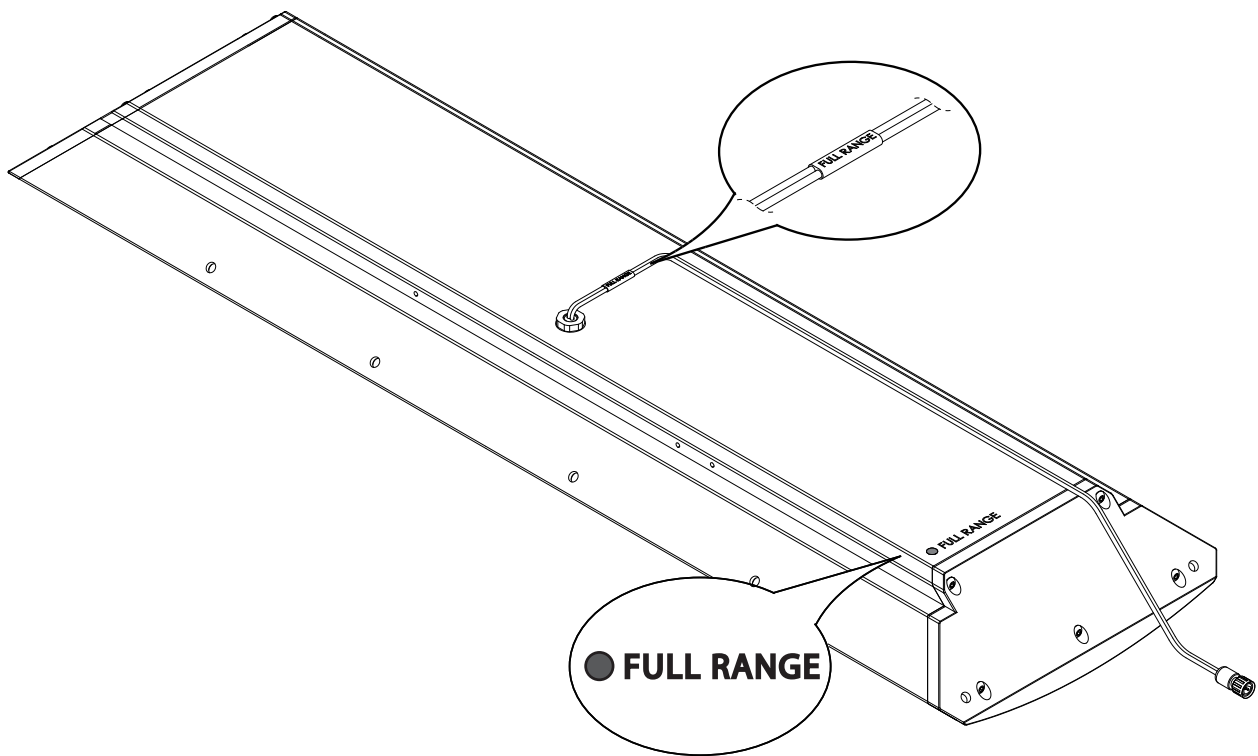
# WALL

- 6 Pull speaker wire feeds up and temporarily place the speaker onto the mounting bracket by slotting the top two screws into the bottom two bracket slots.



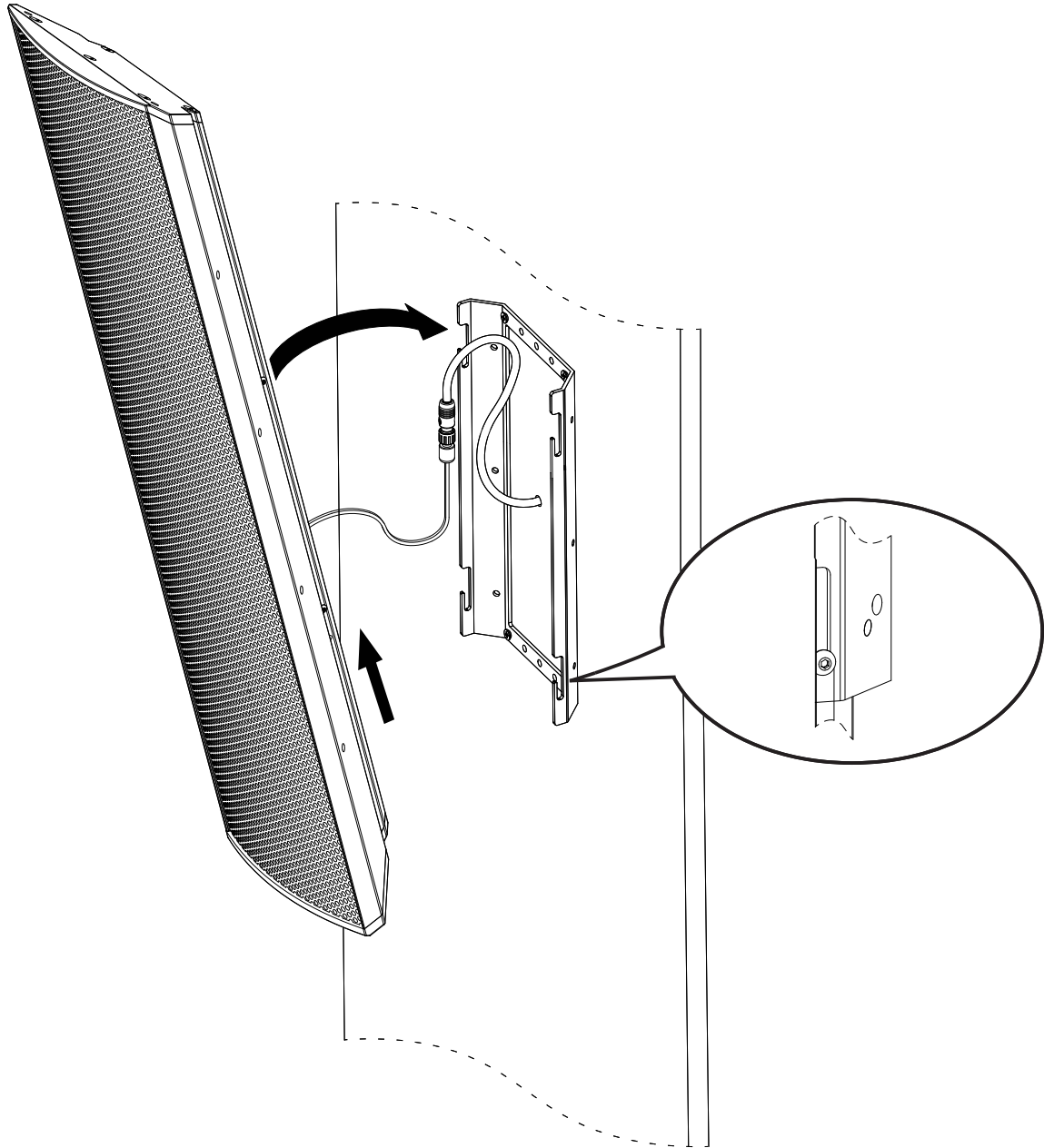
# WALL

- 7 With speaker hanging on the mounting bracket, make necessary cable connections, paying close attention to the color coding and labeling of the speaker inputs. (You can find the color codes relevant to your model on the back of the enclosure in the lower left-hand corner. Failure to connect the speaker properly may void warranty and/or result in permanent damage.)



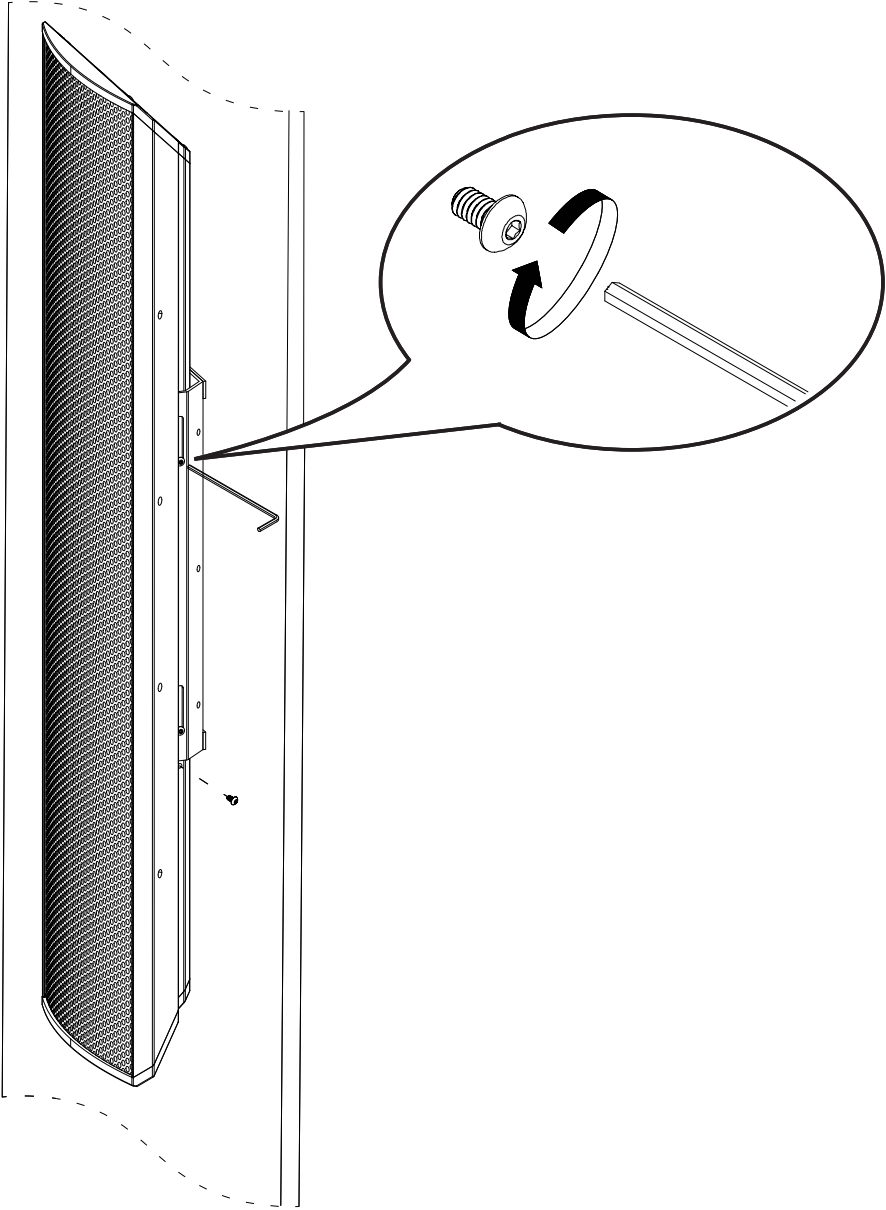
# WALL

- 8 Lift the speaker off the bottom slots and slide the speaker into its final position with side screws sliding into top and bottom slots.



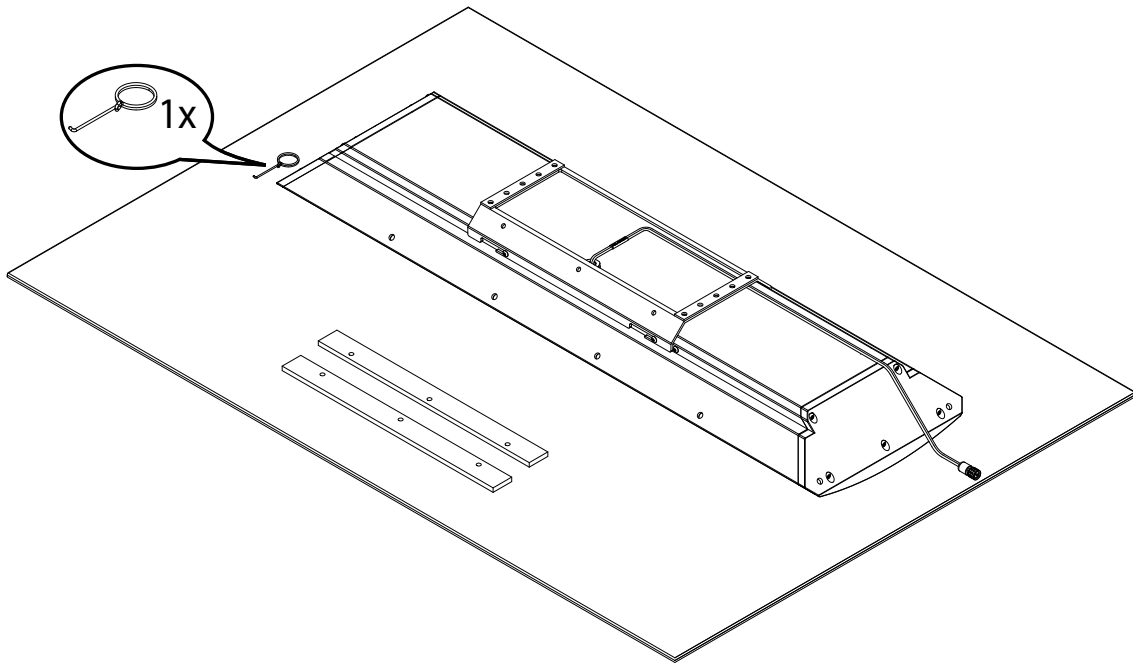
# WALL

- 9 Install security screws into the bottom hole on each side of the enclosure and tighten all the installed screws to ensure the speaker is secure on the mounting bracket.

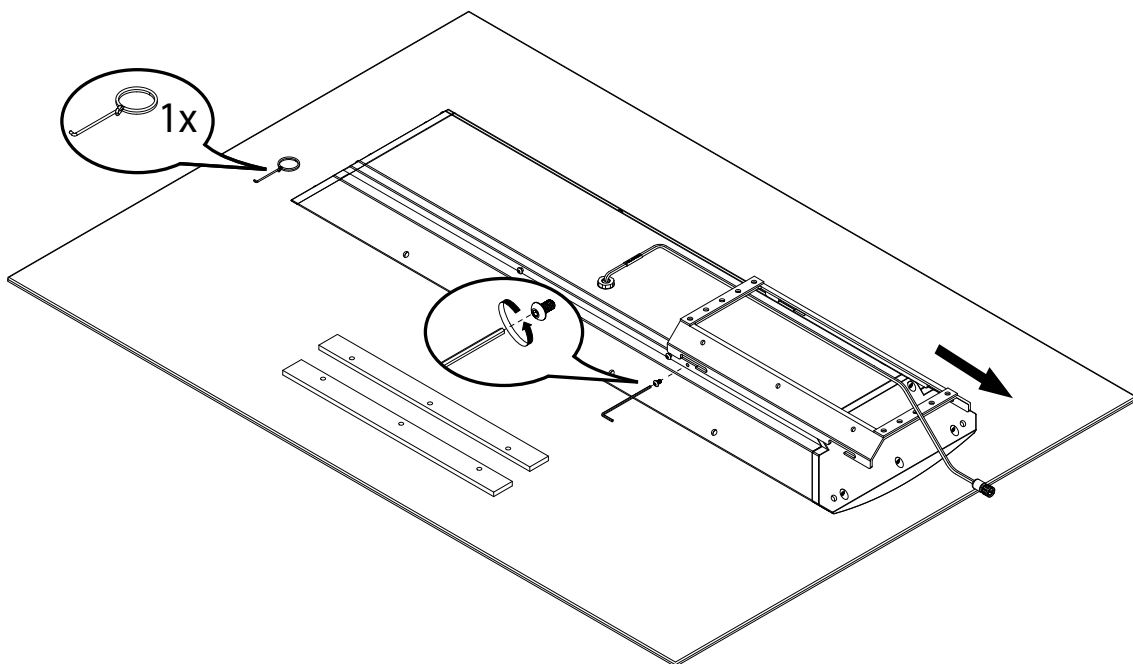


# CORNER-CEILING

- 1 Carefully remove speaker assembly, RingKey, and foam strips from the box, setting on a soft surface so as not to mar the finish.



- 2 Using a 3/32" Hex Key, remove the two locking screws beneath the attached speaker mount, and loosen the four screws attaching the mount to the speaker so that the mount moves freely. Remove the mount from the speaker.

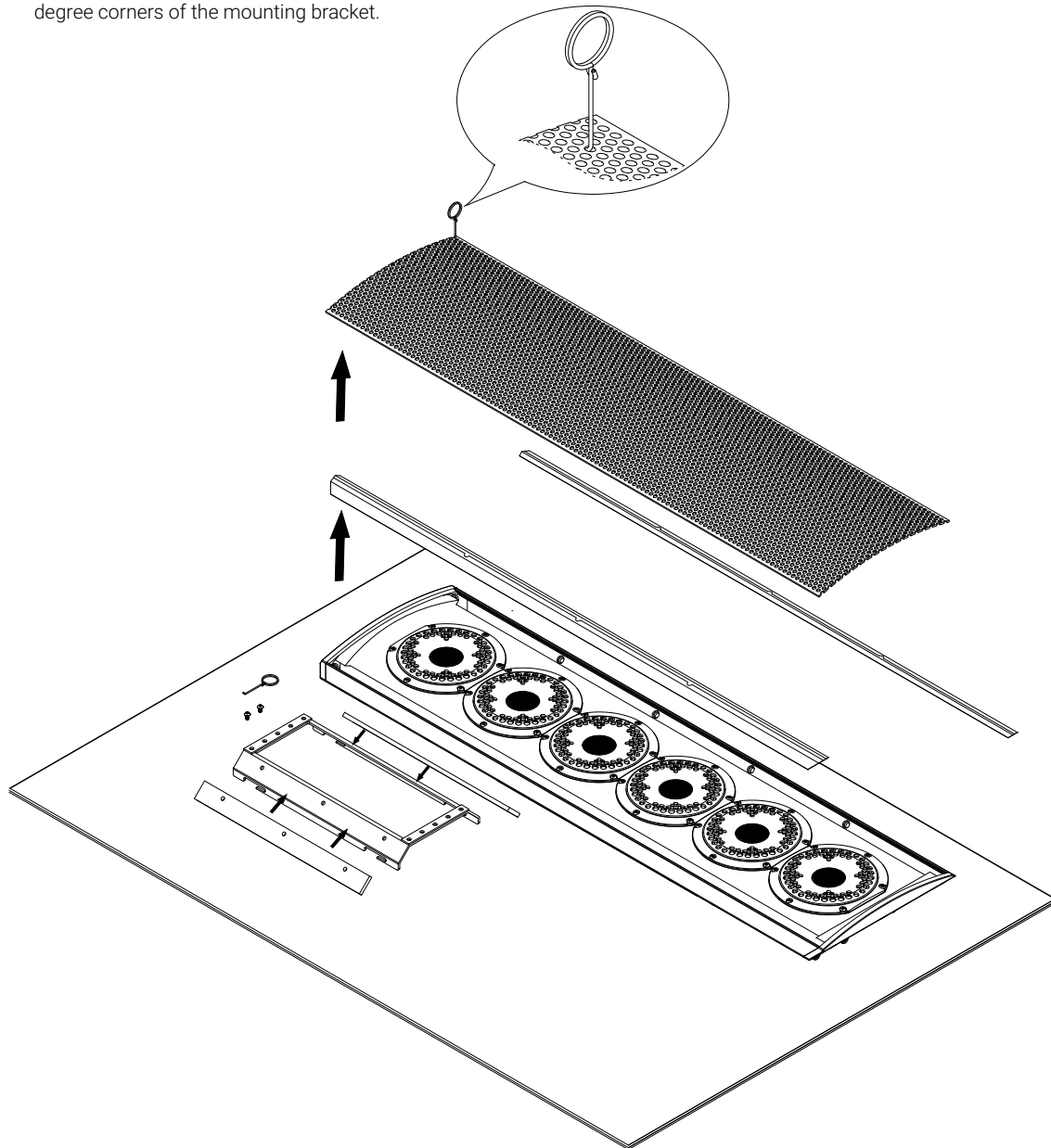


# CORNER-CEILING

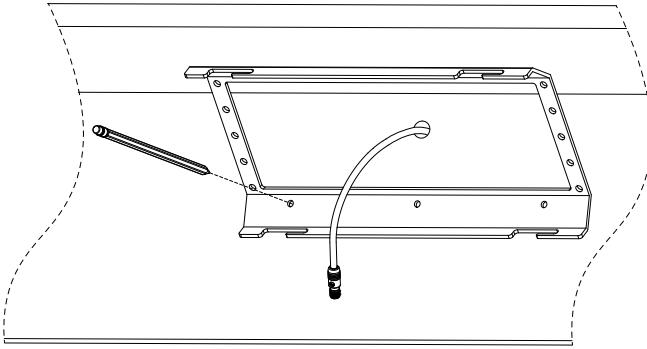
- 3 Carefully insert the included RingKey into a hole in the grille and pull to remove.

Set grille aside and remove the rubber stripping along the long edges of the speaker enclosure.

Adhere the large foam strips to the 45 degree corners of the mounting bracket.

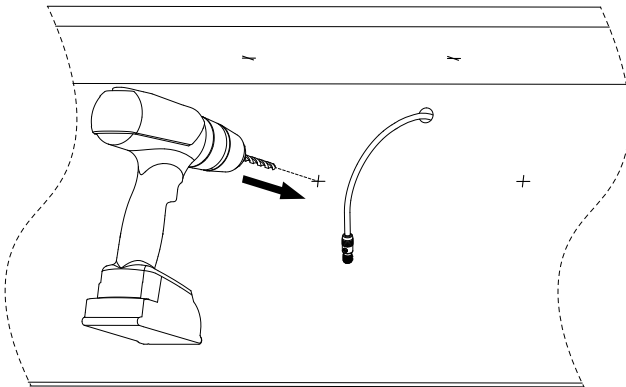


# CORNER-CEILING

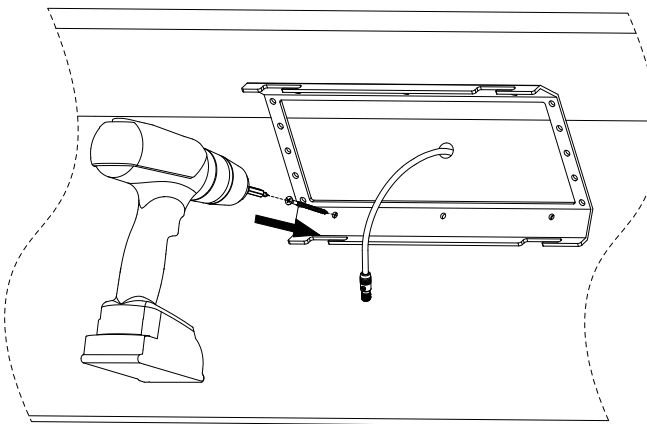


- 4 Determine the installation location on the ceiling/wall corner, mark the four holes using the bracket as a template for pilot holes (if necessary), while taking note of the slot direction.

NOTE: You must maintain this direction throughout installation.

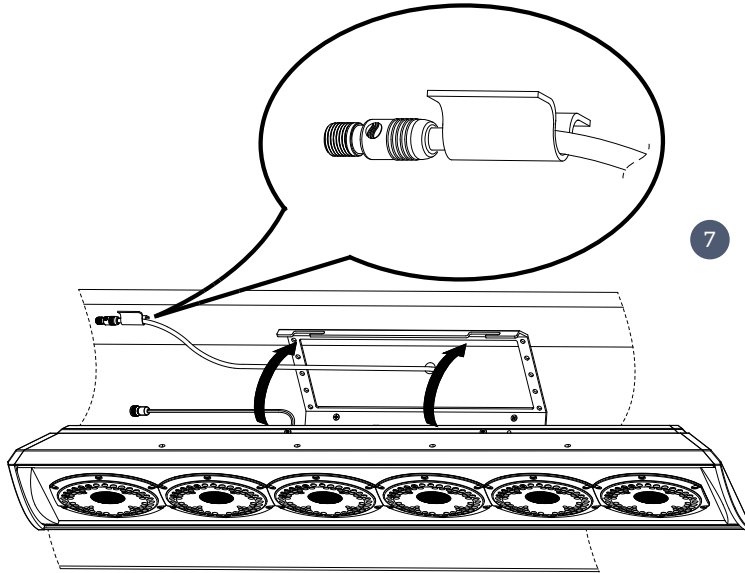


- 5 If needed, drill pilot holes at each marked location.

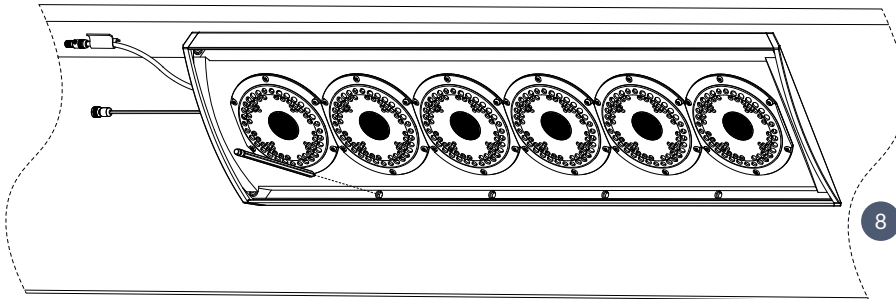


- 6 Place mounting bracket back against the wall in the intended location. Using the appropriate fasteners, secure the mount to the wall.

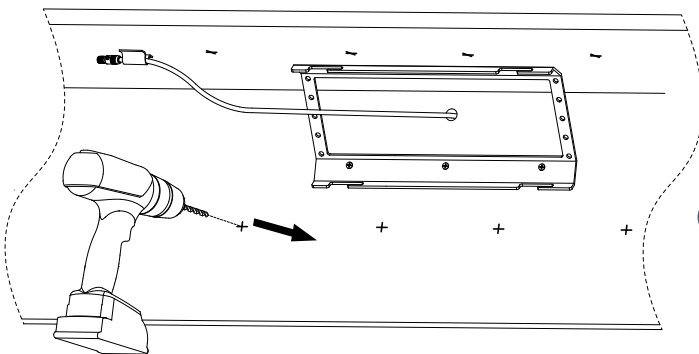
# CORNER-CEILING



- 7 Tape the wire from the wall before sliding the installed screws of the enclosure into the slots to use it as template for marking the pilot holes.

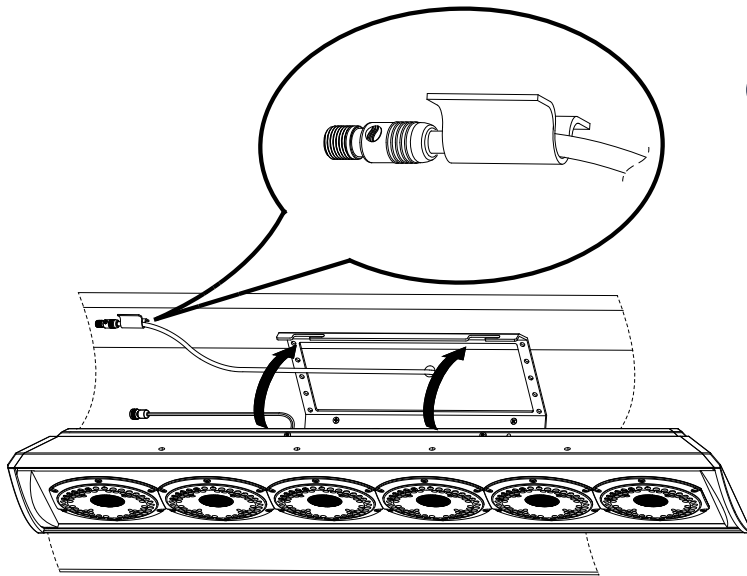


- 8 Mark the holes on both sides for pilot drilling (if necessary).

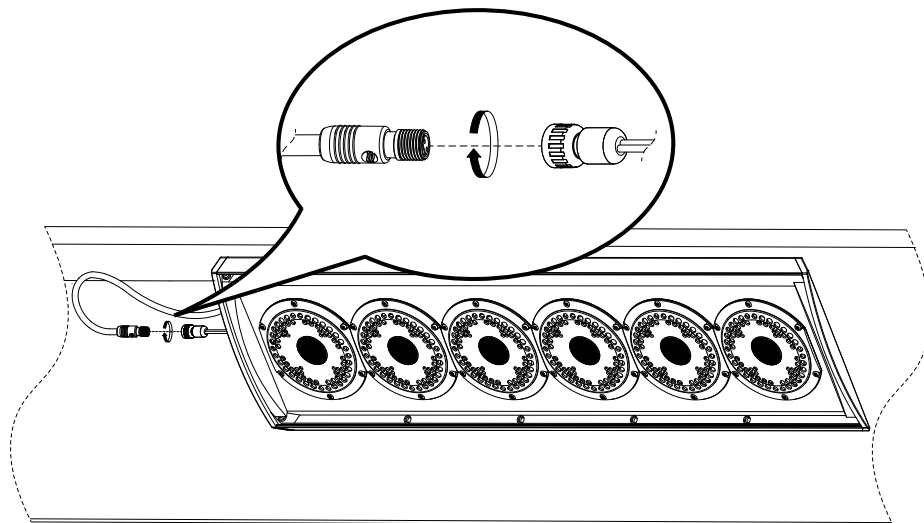


- 9 Remove the enclosure, then proceed to drilling the markings to create pilot holes.

# CORNER-CEILING

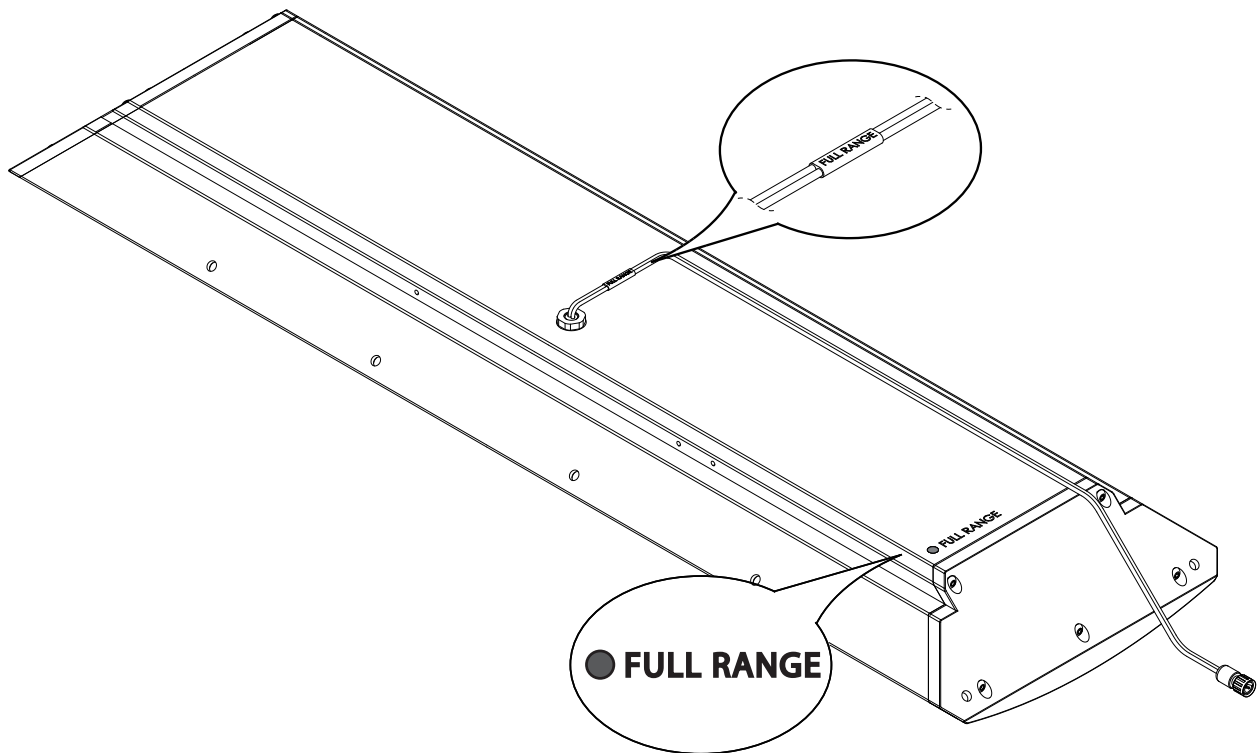


- 10 After drilling the pilot holes, hang the installed screws of the enclosure into the slot of the bracket making sure the speaker wires are pulled to the left and accessible.

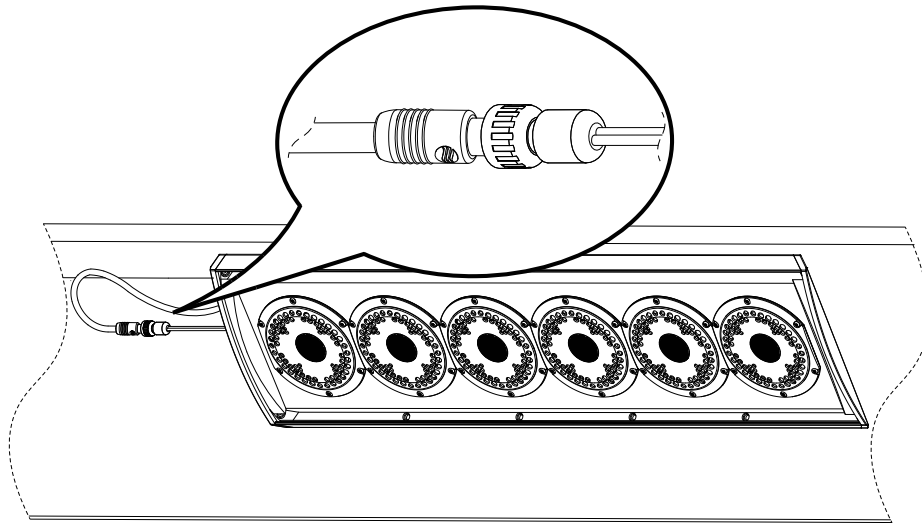


# CORNER-CEILING

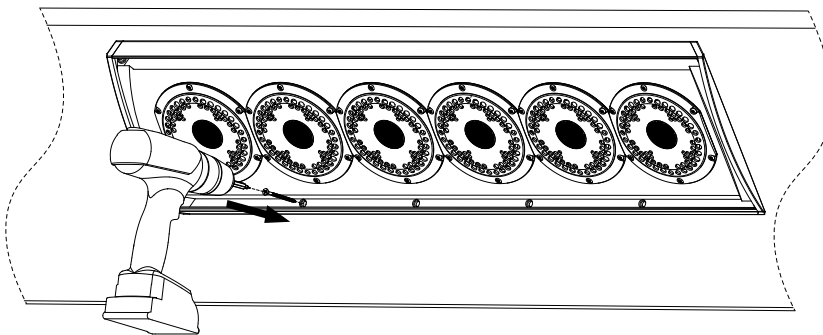
- 11 Proceed to make all necessary wiring connections, paying close attention to the color coding and labeling of the speaker inputs below. You can find the color codes relevant to your model on the back of the enclosure in the lower lefthand corner. Failure to connect the speaker properly may result in permanent damage and void warranty.



# CORNER-CEILING



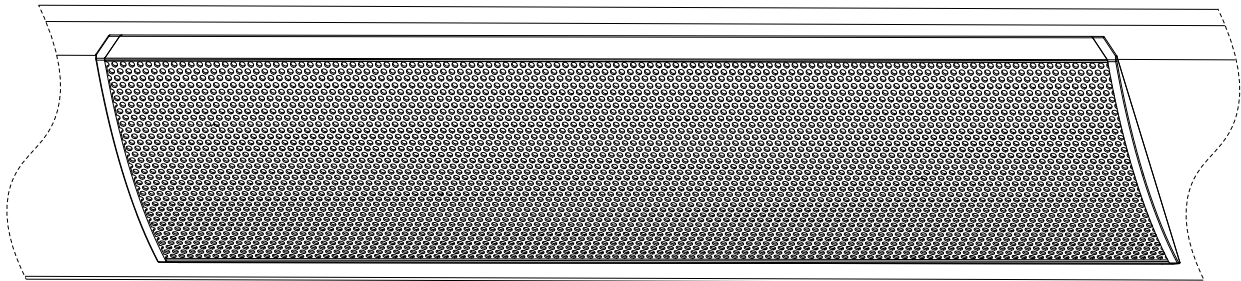
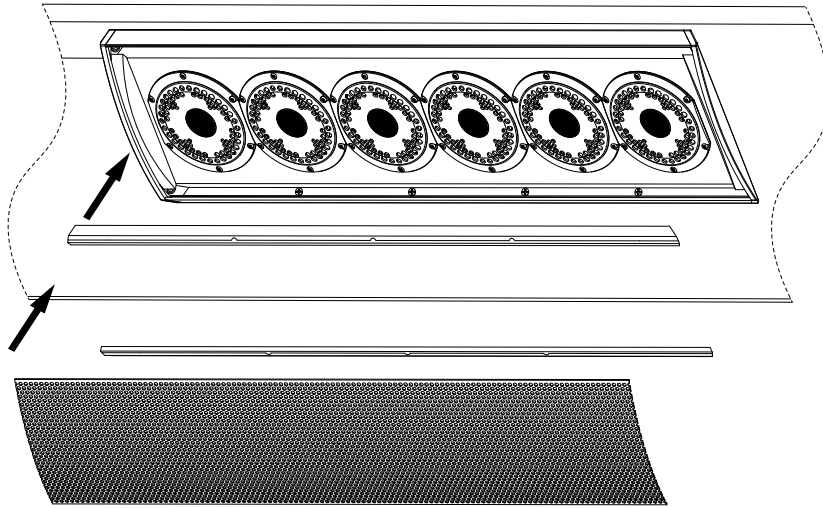
- 12 Once the wiring is properly connected, tuck in the wires on the back of the enclosure.



- 13 Using the appropriate fasteners, secure the speaker to the wall.

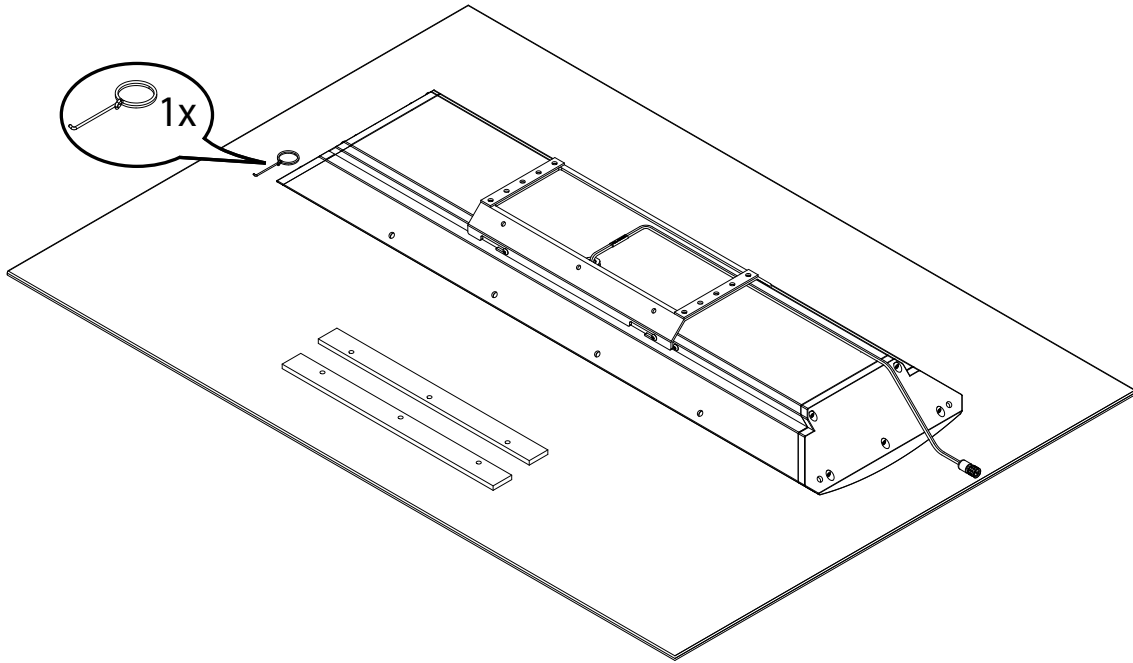
# CORNER-CEILING

- 14 Reinstall rubber stripping into speaker enclosure before carefully reinstalling the grille.

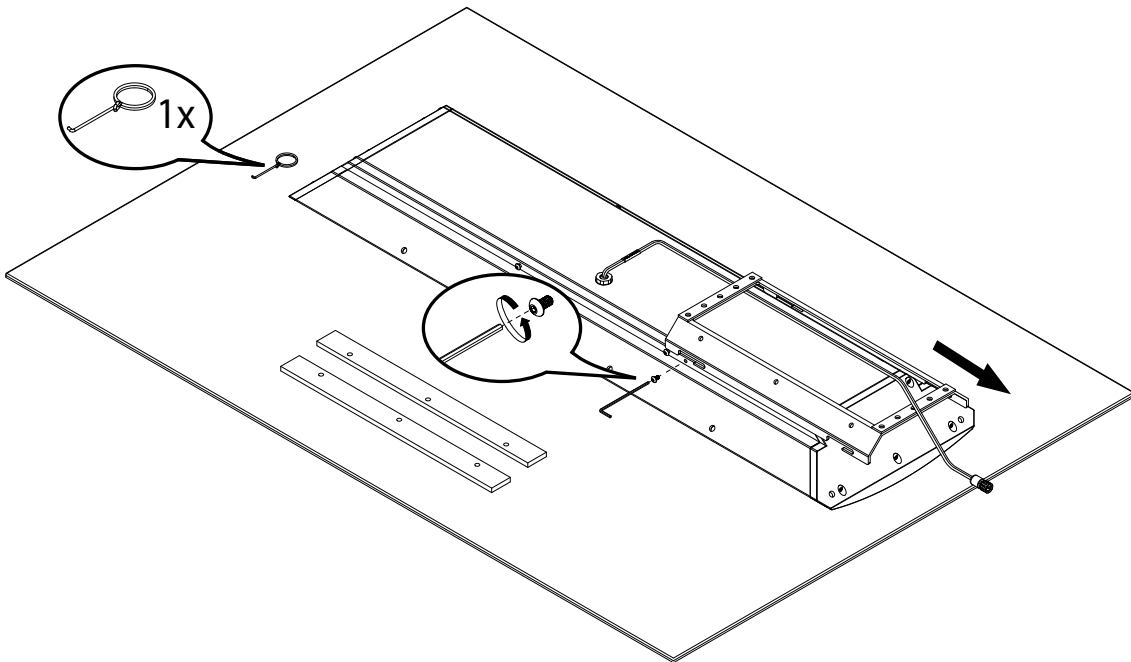


# CORNER-WALL

- 1 Carefully remove speaker assembly, RingKey, and foam strips from the box, setting on a soft surface so as not to mar the finish.



- 2 Using a 3/32" Hex Key, remove the two locking screws beneath the attached speaker mount, and loosen the four screws attaching the mount to the speaker so that the mount moves freely. Remove the mount from the speaker.

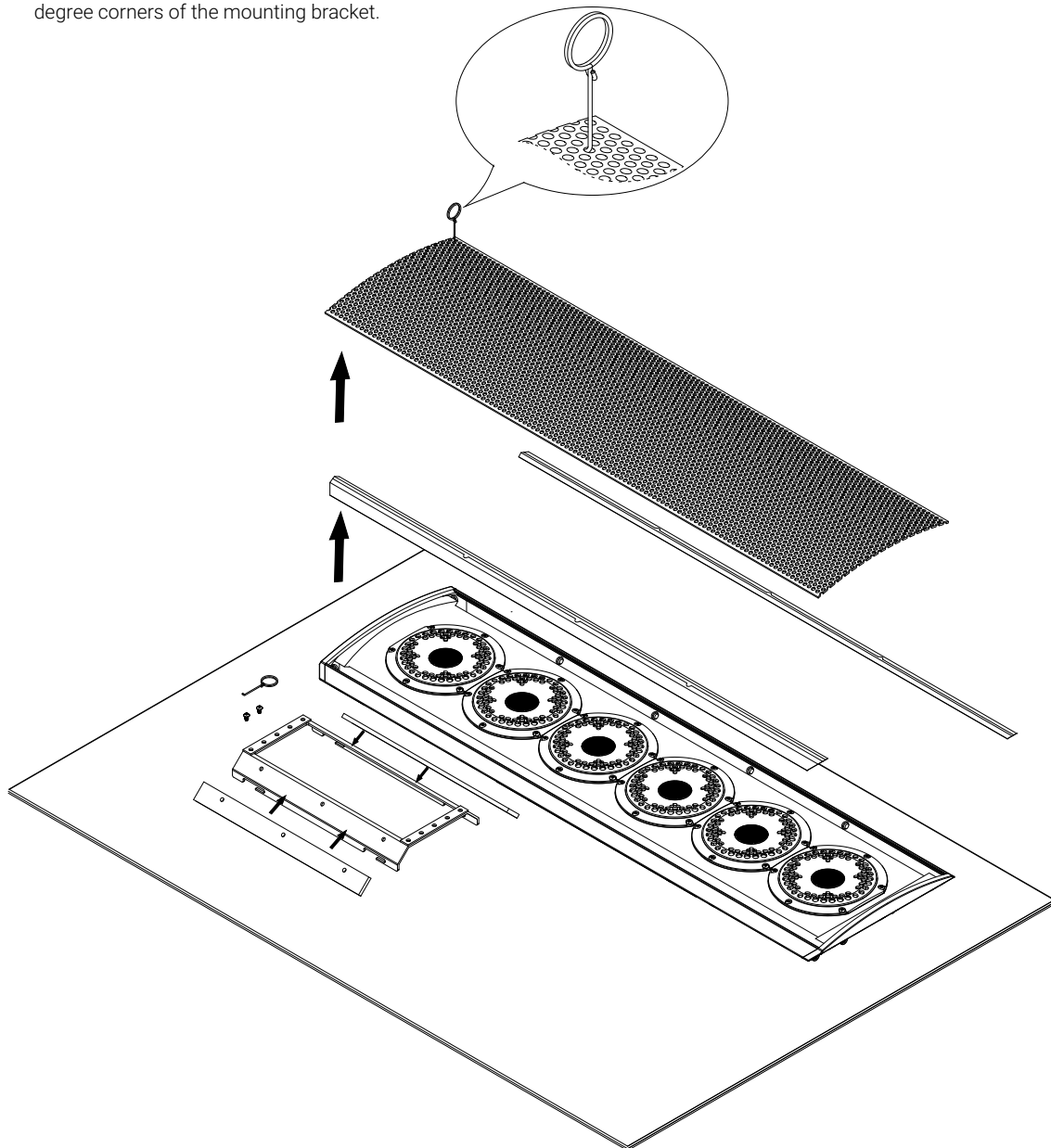


# CORNER-WALL

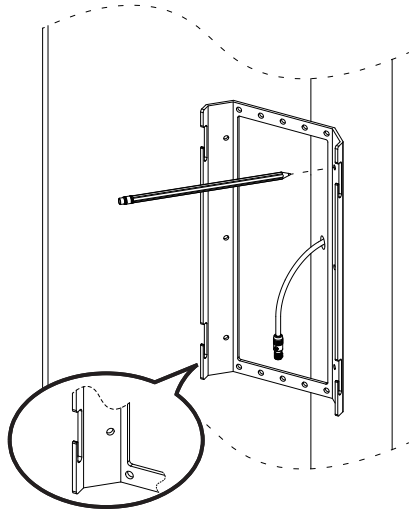
- 3 Carefully insert the included RingKey into a hole in the grille and pull to remove.

Set grille aside and remove the rubber stripping along the long edges of the speaker enclosure.

Adhere the large foam strips to the 45 degree corners of the mounting bracket.

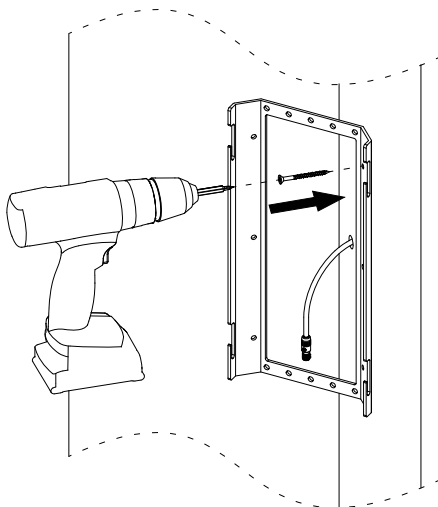
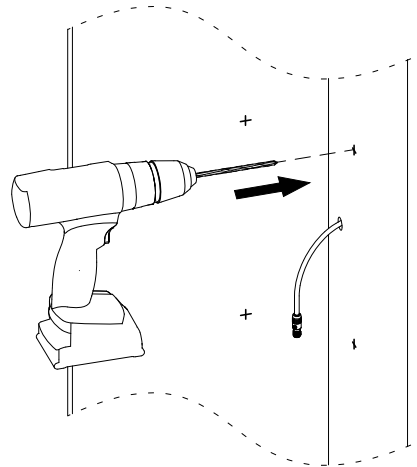


# CORNER-WALL



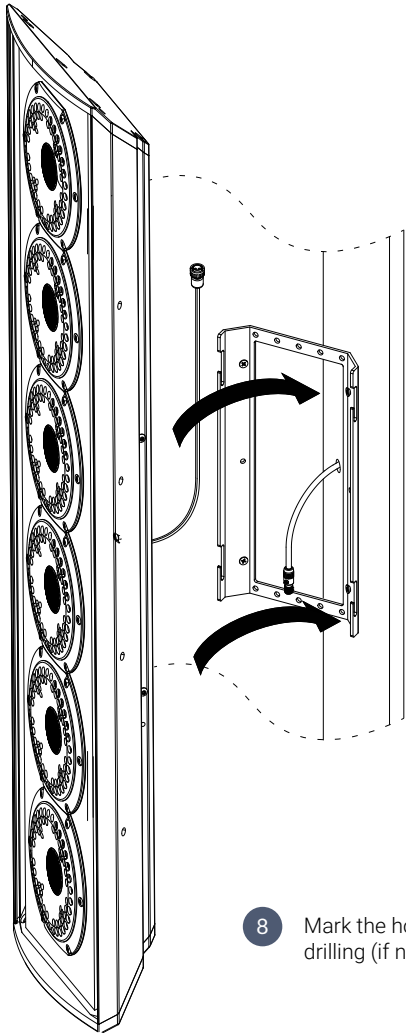
- 4 Determine the installation location on the wall corner, mark the four holes using the bracket as a template for pilot holes (if necessary), while ensuring the mounting slots are facing upwards.

- 5 Drill the markings to create pilot holes.

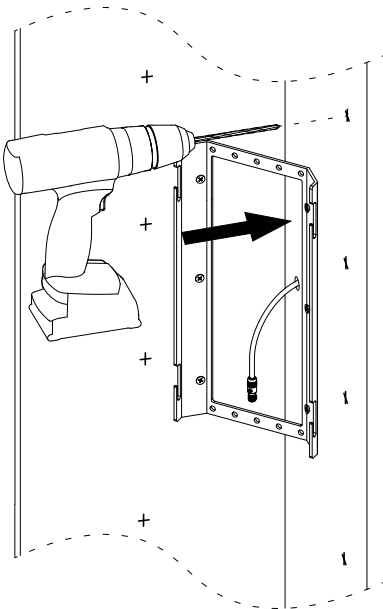


- 6 Using the appropriate fasteners, secure the mount to the wall.

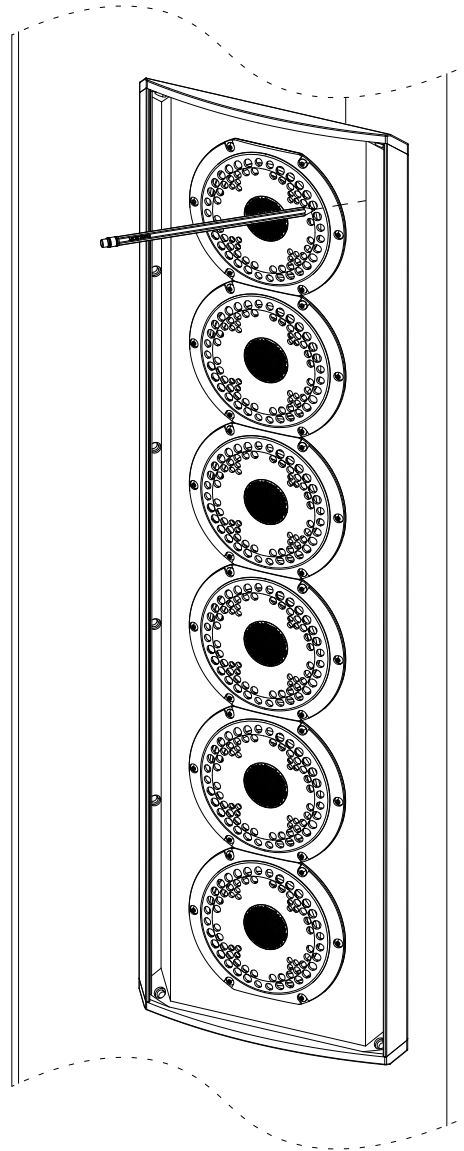
# CORNER-WALL



8 Mark the holes on both side for pilot drilling (if necessary).



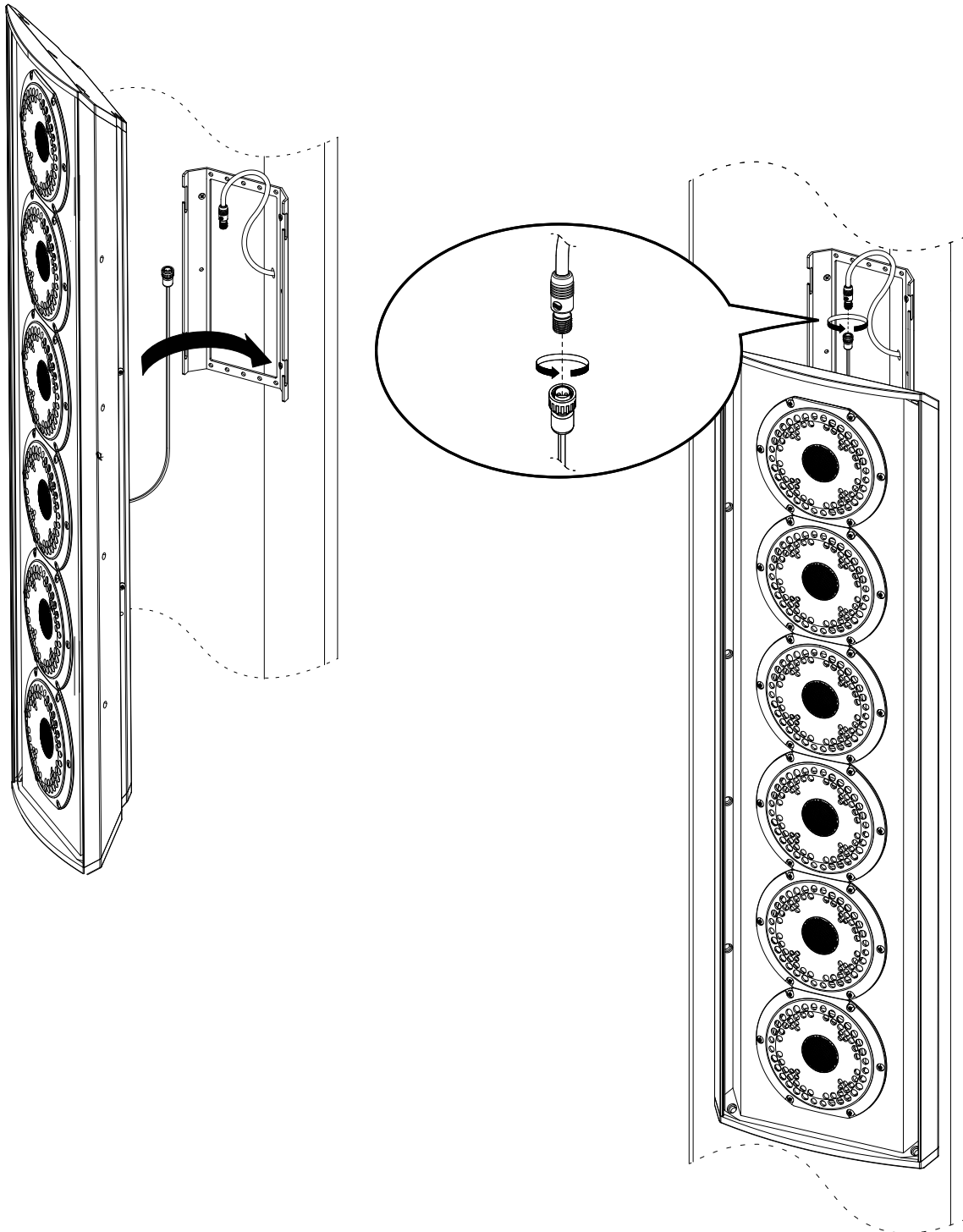
7 Hang the upper screw of the Razor into the the upper slot to used it as template for the holes.



9 Remove the enclosure, then proceed to drilling the markings to create pilot holes.

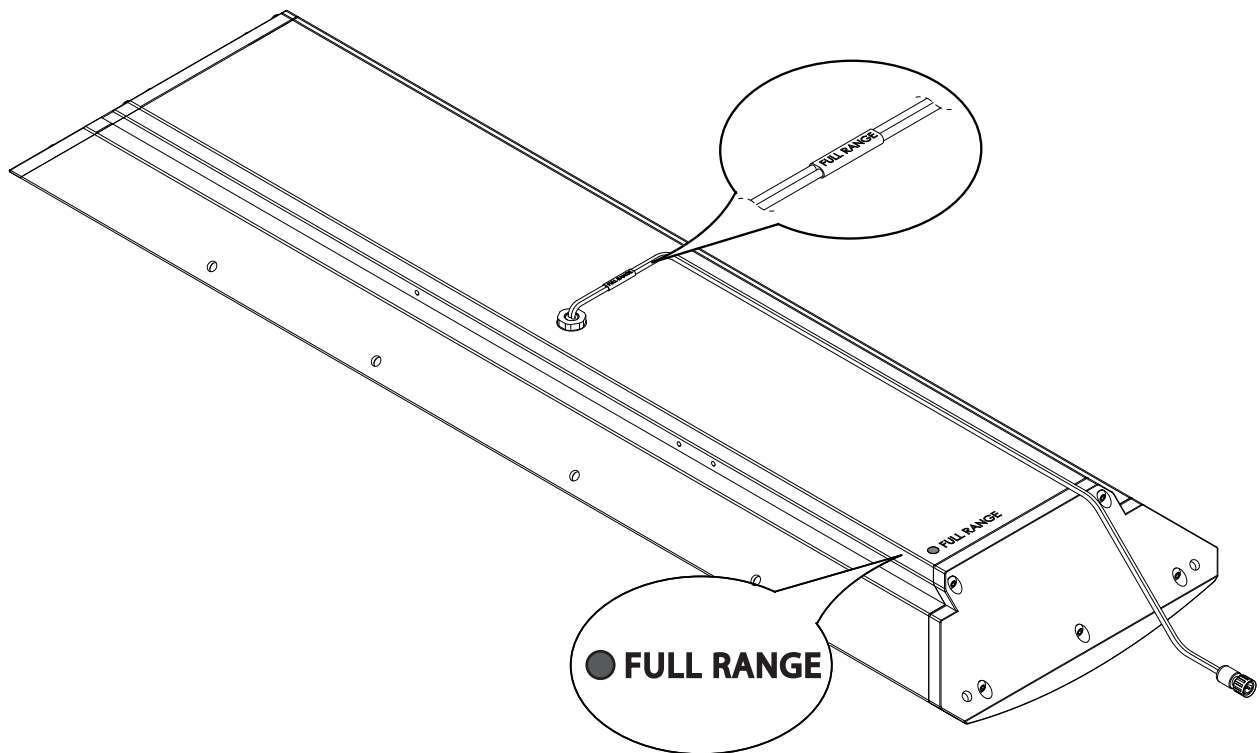
# CORNER-WALL

- 10 After drilling the pilot holes, hang the two (2) upper screws of the Razor into the the lower slot of the bracket making sure the speaker wires are pulled upwards and accessible after the speaker is hung.



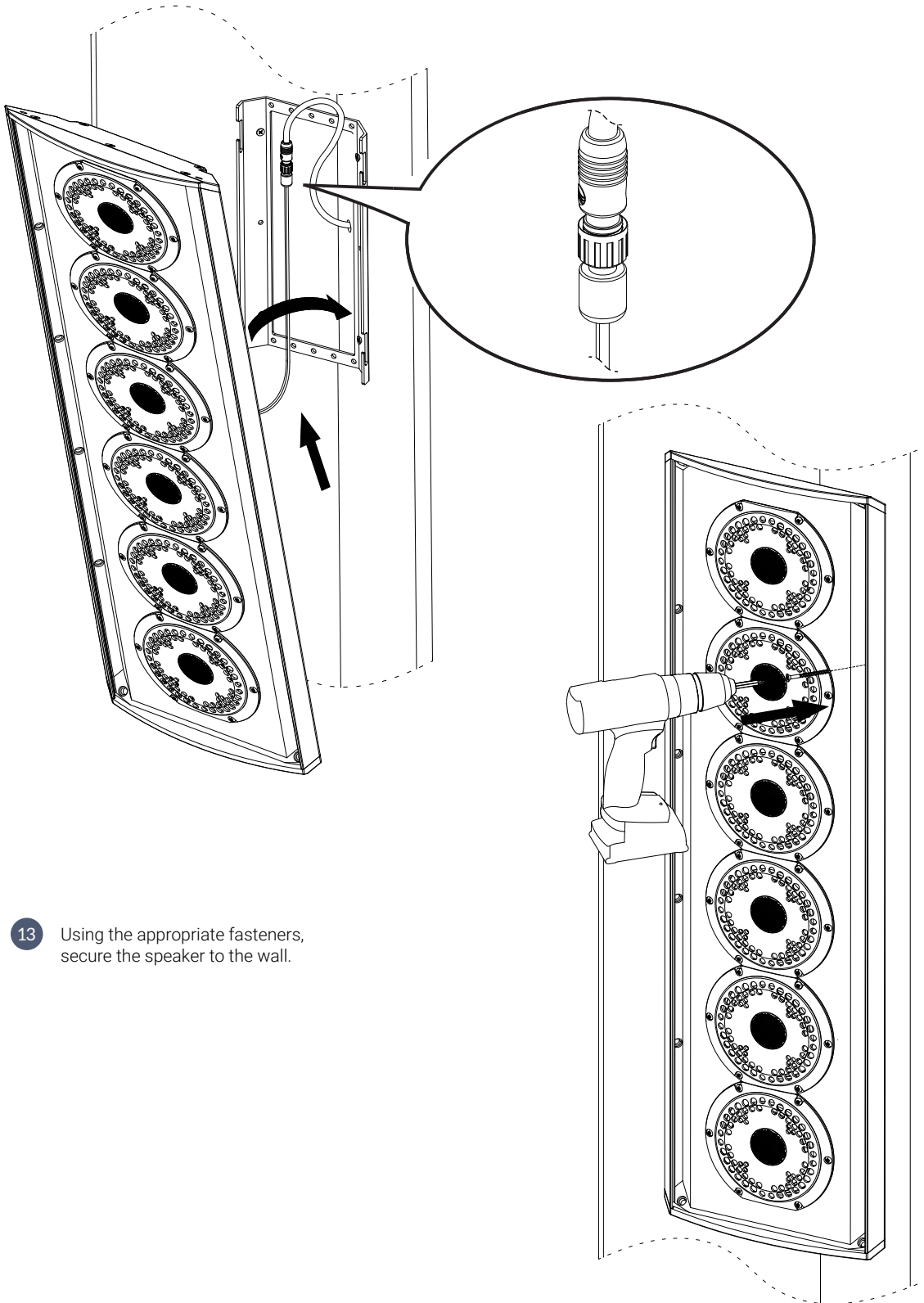
# CORNER-WALL

- 11 Proceed to make all necessary wiring connections, paying close attention to the color coding and labeling of the speaker inputs below. You can find the color codes relevant to your model on the back of the enclosure in the lower lefthand corner. Failure to connect the speaker properly may result in permanent damage and void warranty.



# CORNER-WALL

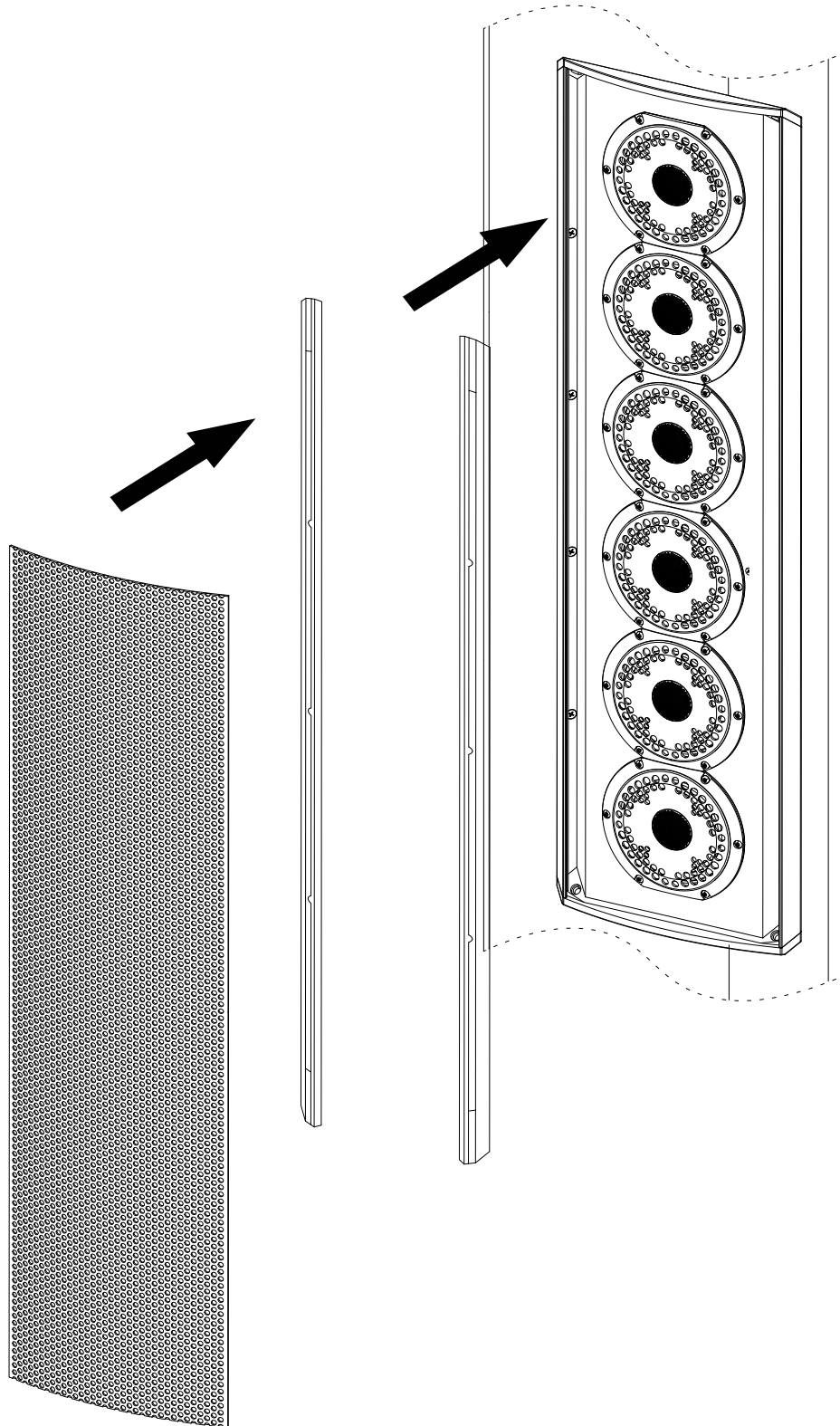
- 12 Once the wiring is properly connected, lift the speaker off the bottom slots and slide the enclosure into the top and bottom slots for the final installation.



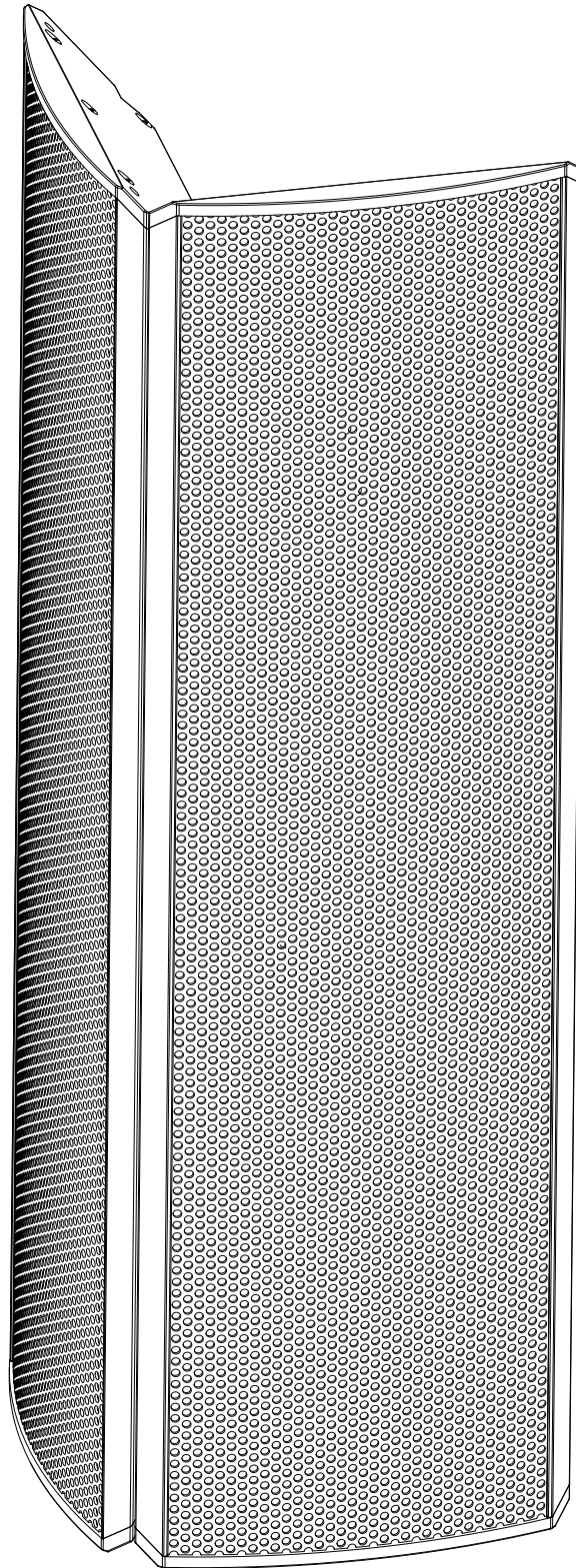
- 13 Using the appropriate fasteners, secure the speaker to the wall.

# CORNER-WALL

- 14 Reinstall the diffraction edge strips on the side then the grilles right after it.

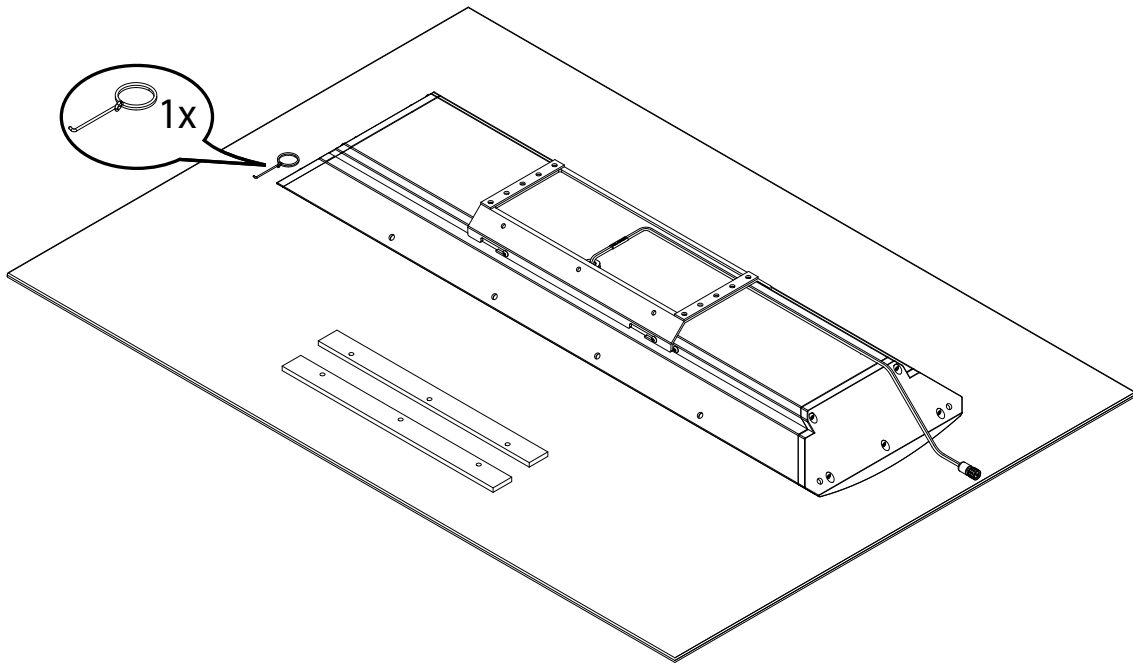


# DUAL STEREO

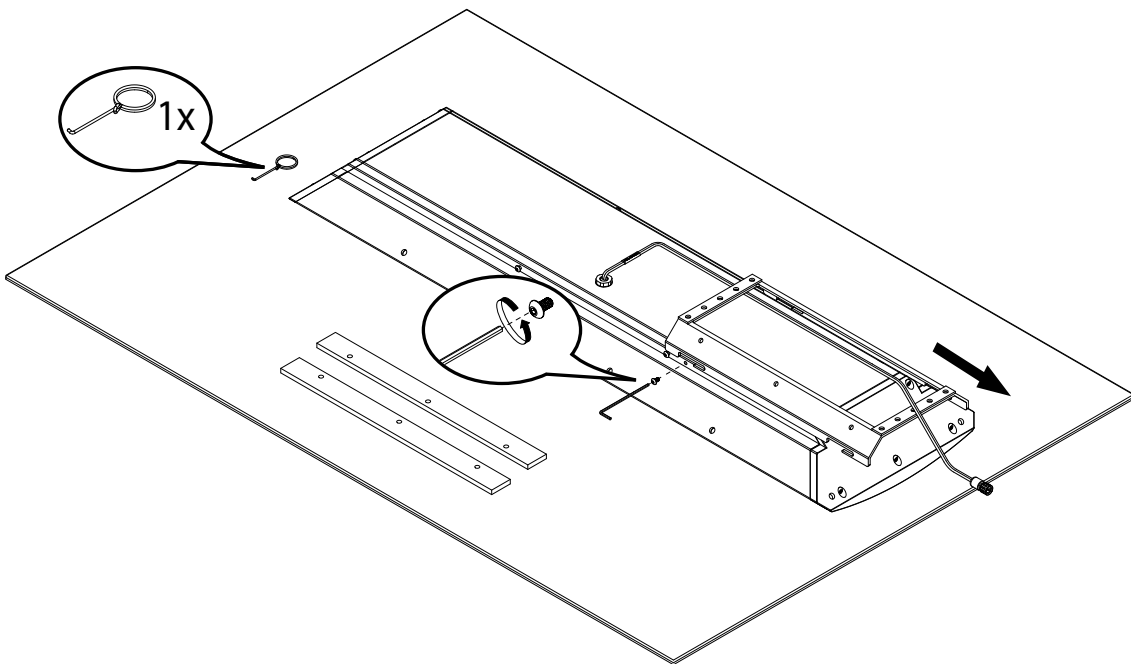


# DUAL STEREO

- 1 Carefully remove speaker assembly, RingKey, and foam strips from the box, setting on a soft surface so as not to mar the finish.



- 2 Using a 3/32" Hex Key, remove the two locking screws beneath the attached speaker mount, and loosen the four screws attaching the mount to the speaker so that the mount moves freely. Remove the mount from the speaker.

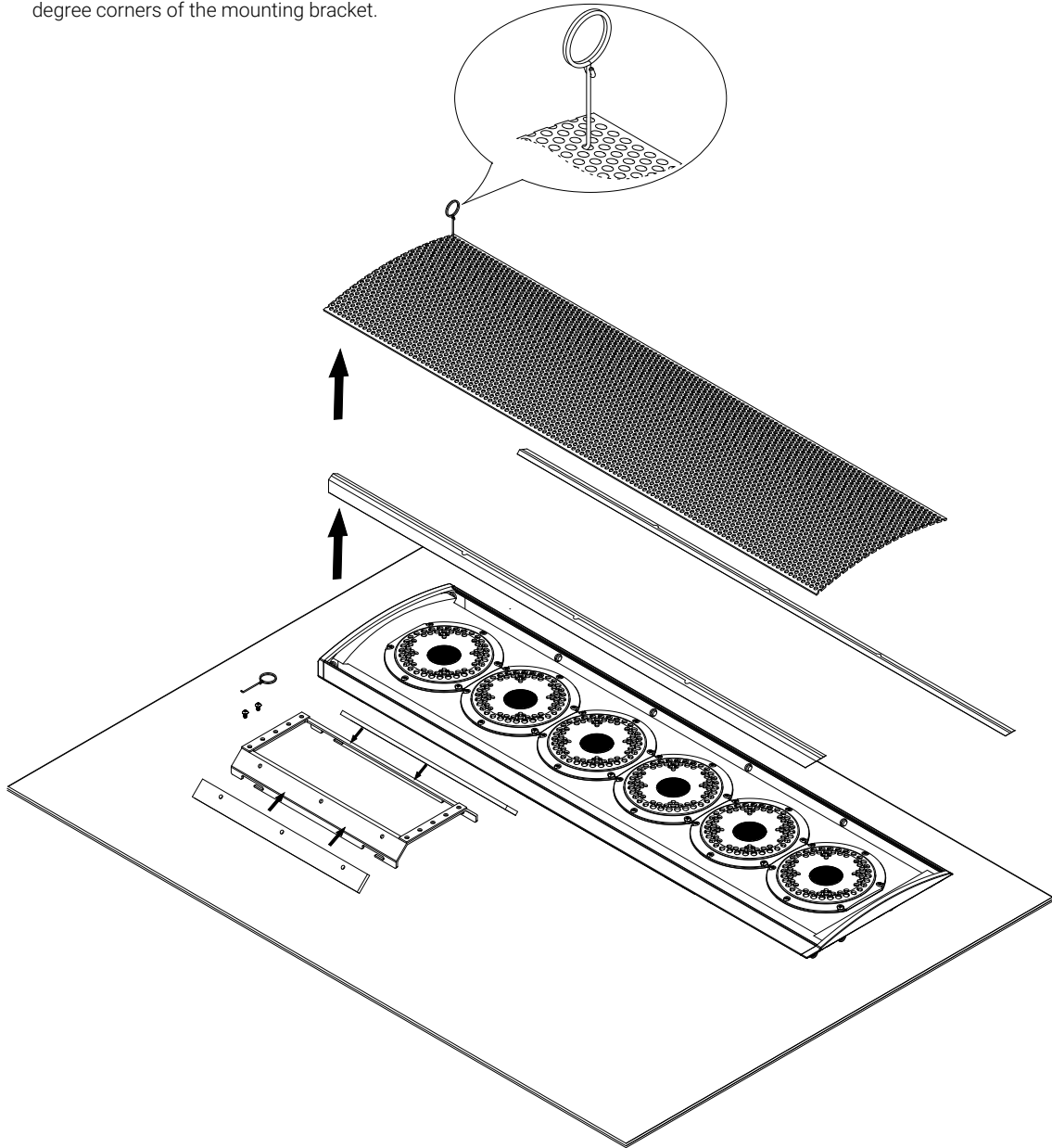


# DUAL STEREO

- 3 Carefully insert the included RingKey into a hole in the grille and pull to remove.

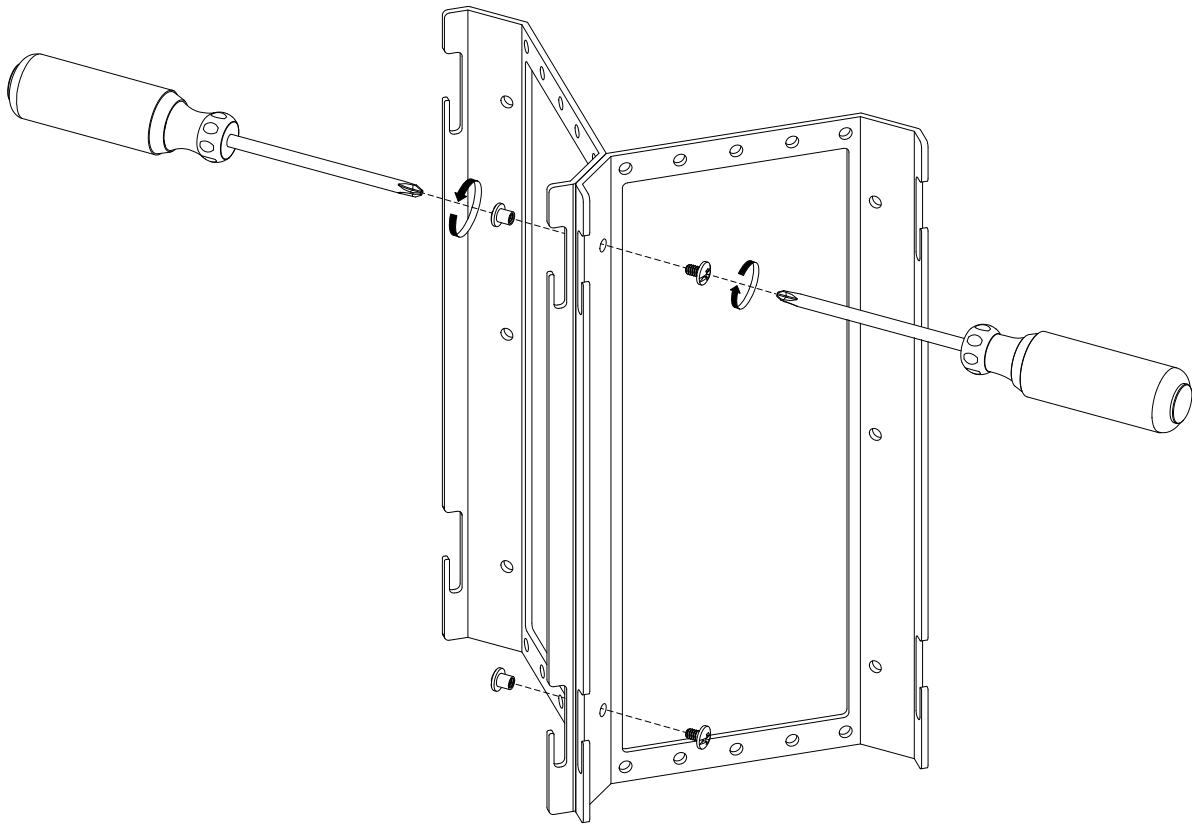
Set grille aside and remove the rubber stripping along the long edges of the speaker enclosure.

Adhere the large foam strips to the 45 degree corners of the mounting bracket.

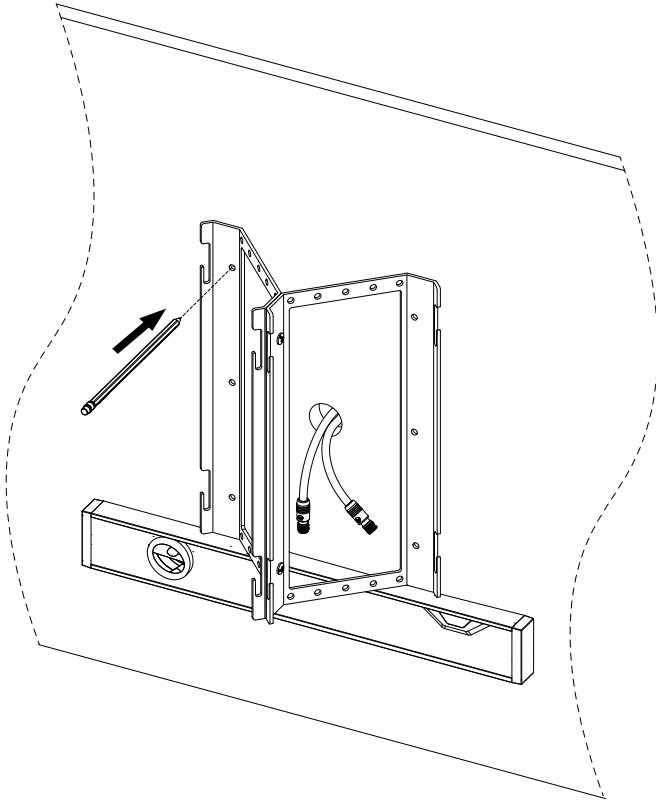


# DUAL STEREO

- 4 Join the two wall brackets together using 1/4" 10-32 barrel nuts.

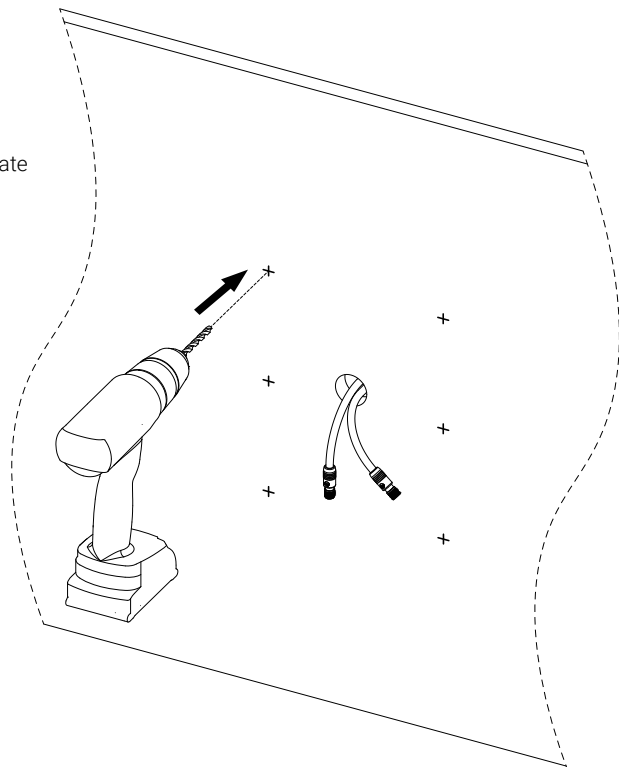


# DUAL STEREO

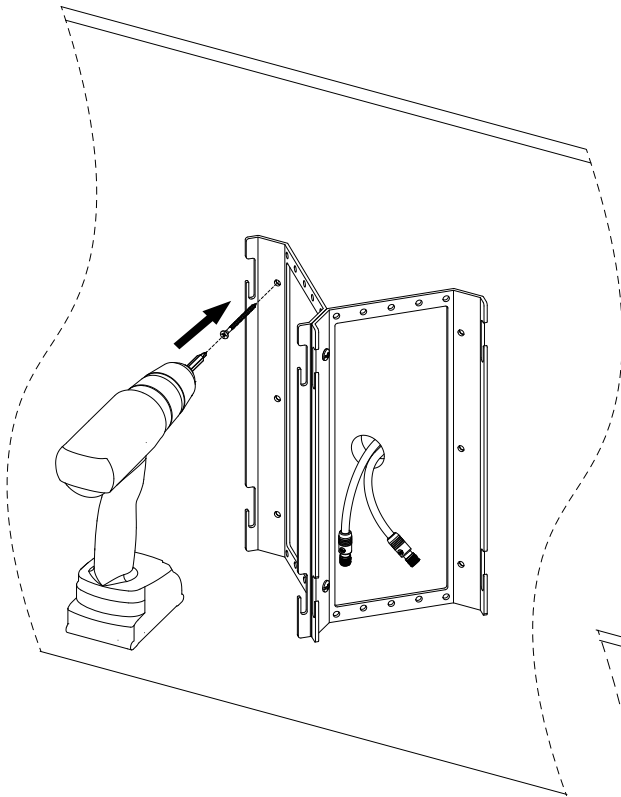


- 5 Place the mounting bracket assembly (ensuring slots are facing up) on the wall in the intended mounting location. Be sure that the speaker wire penetration point is somewhat centered in the bracket. With the help of a level, mark at least four holes on the wall through rear of the brackets.

- 6 Remove the bracket assembly and drill the appropriate sized pilot holes for your intended fasteners at the marked location to prepare for final mounting.

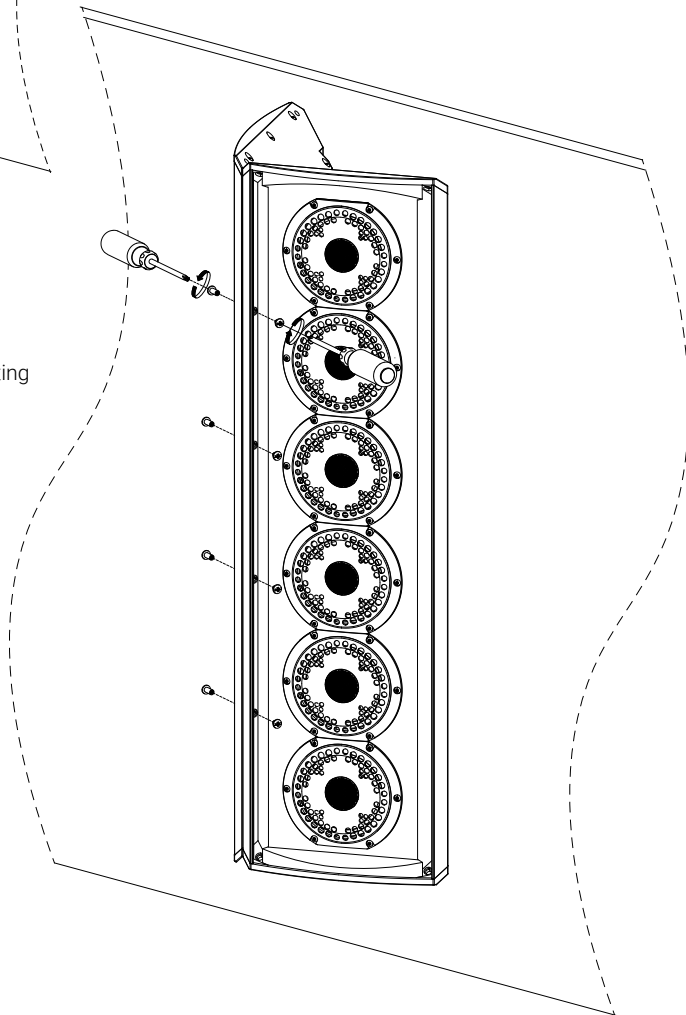


# DUAL STEREO

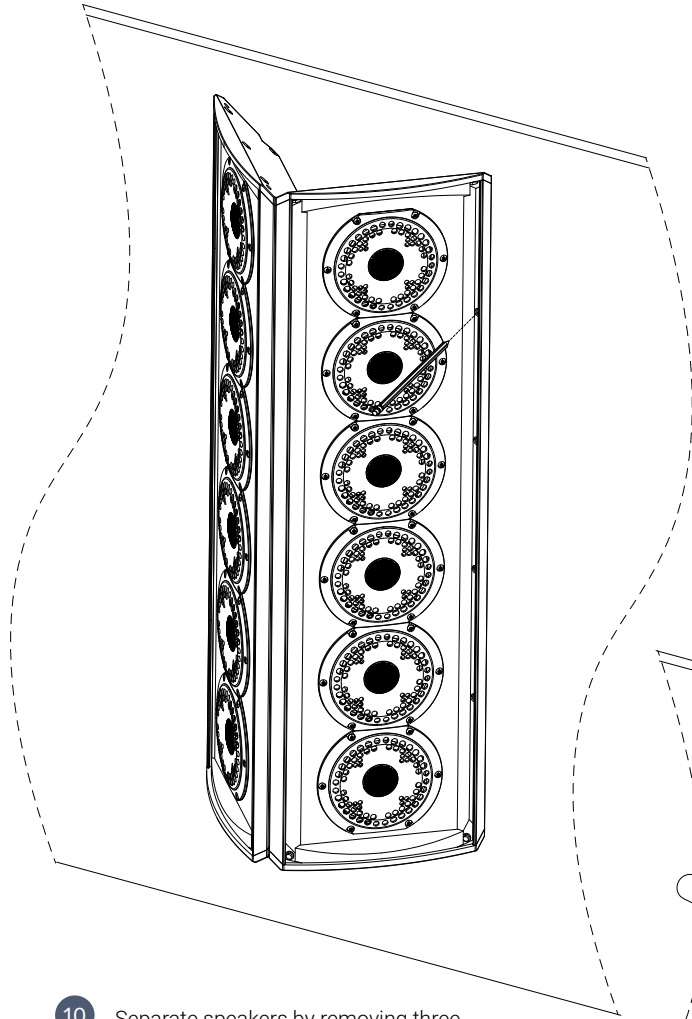


- 7 Again ensuring that slots are facing up, place dual mounting bracket assembly back against the wall in the intended location. Using the appropriate fasteners, secure the mount assembly to the wall.

- 8 Temporarily hang both speakers onto mounting bracket assembly by sliding top and bottom screws into mount slots. Secure speakers together using three 1/4" barrel nuts.

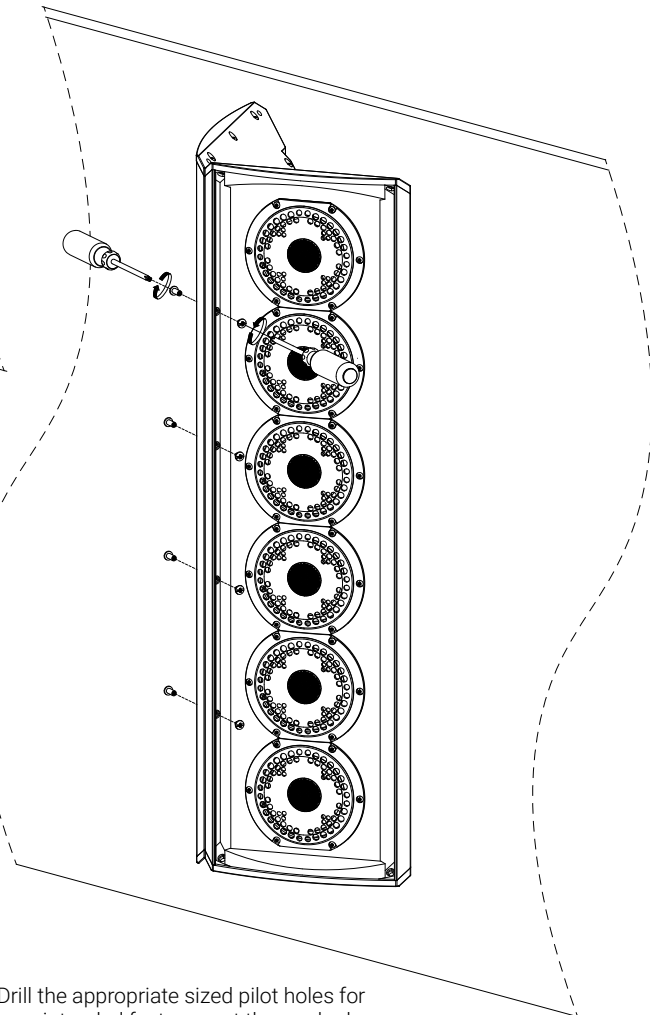
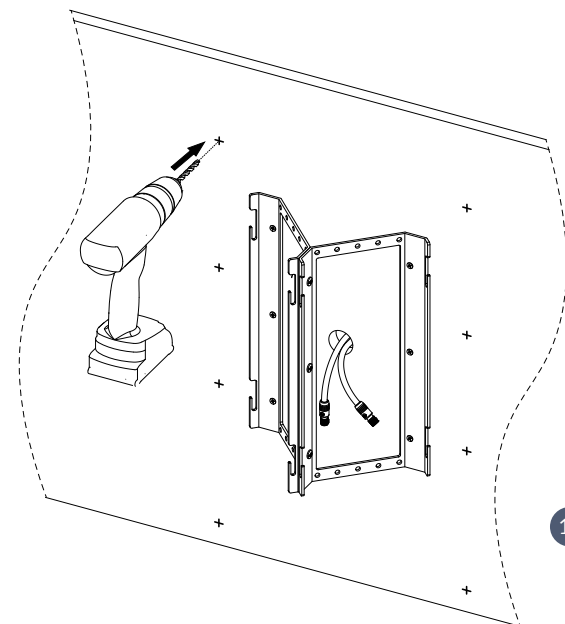


# DUAL STEREO



- 9 Mark the location for pilot holes through the three holes on each side of the speaker assembly.

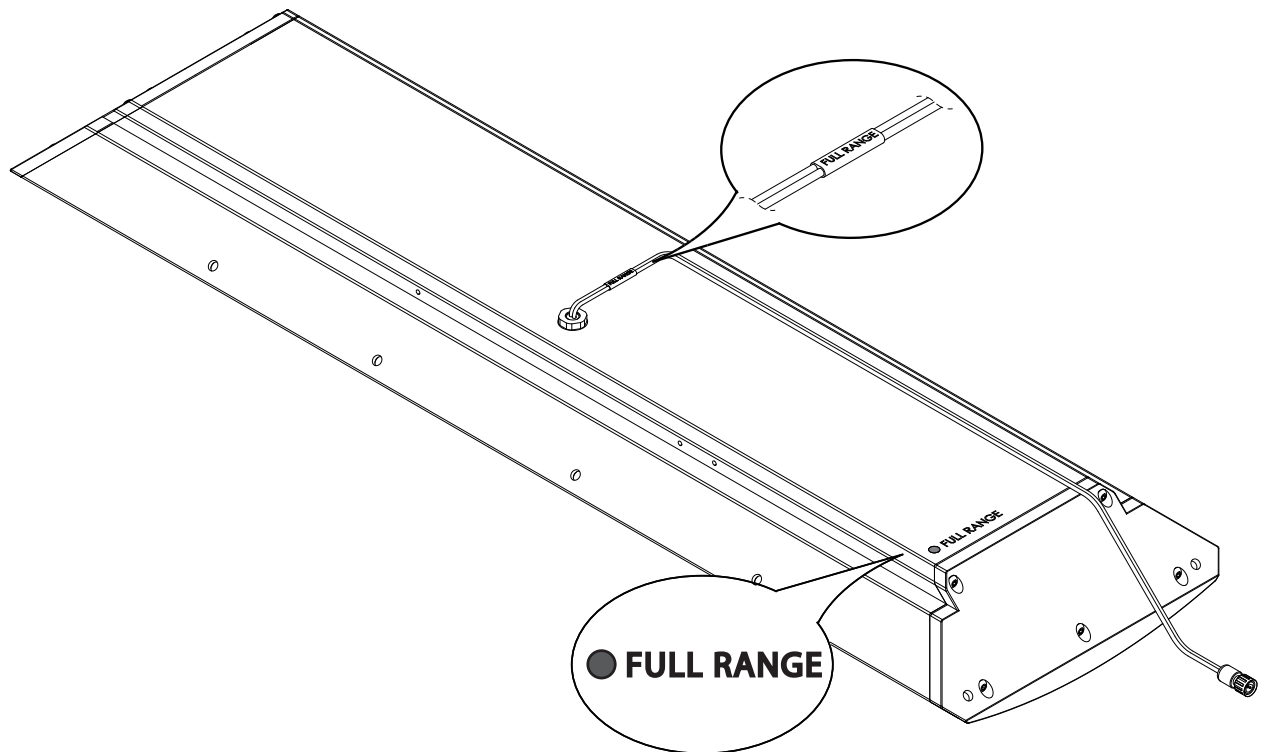
- 10 Separate speakers by removing three barrel nut assemblies and then remove speakers from mount assembly. Set aside.



- 11 Drill the appropriate sized pilot holes for your intended fasteners at the marked locations to prepare for final mounting.

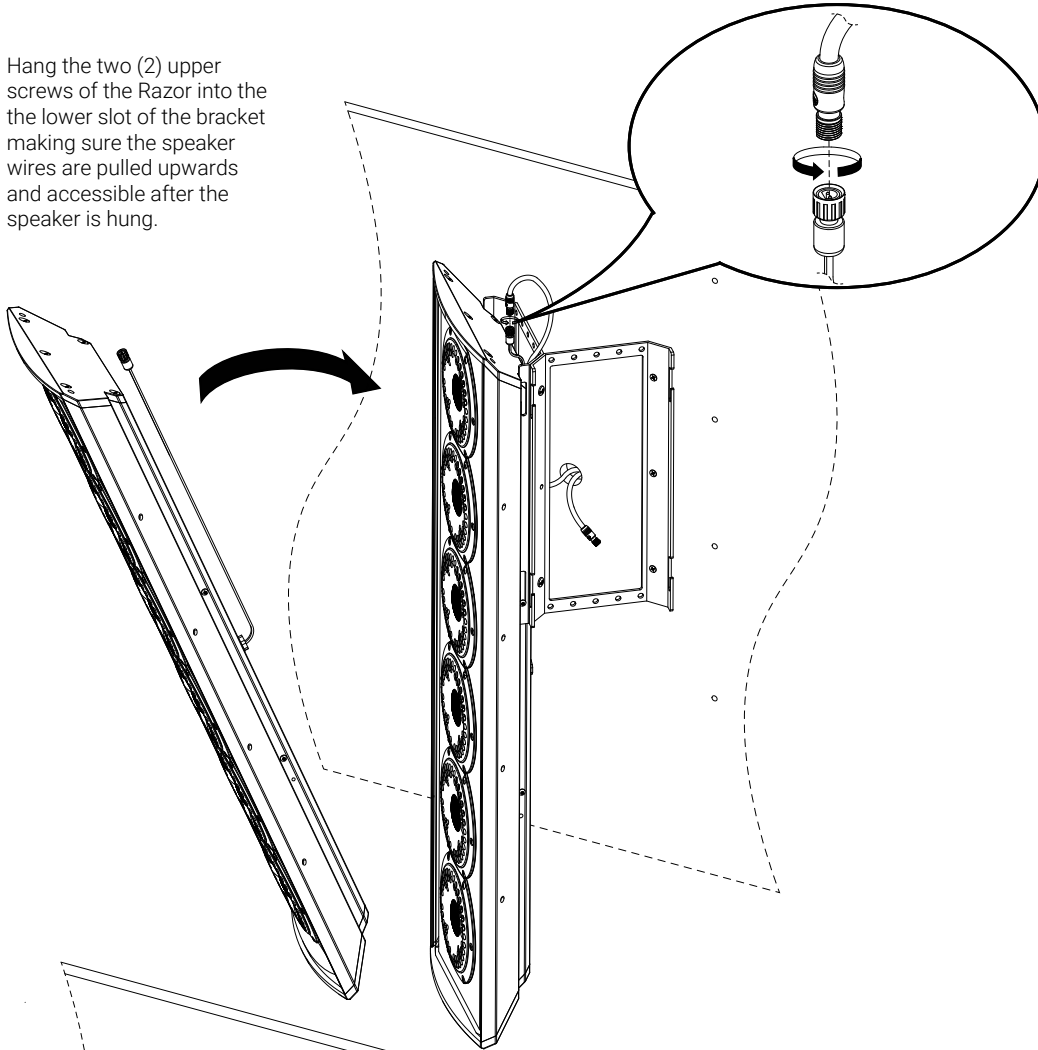
# DUAL STEREO

- 12 With speaker hanging on the mounting bracket, make necessary cable connections, paying close attention to the color coding and labeling of the speaker inputs. (You can find the color codes relevant to your model on the back of the enclosure in the lower left-hand corner. Failure to connect the speaker properly may void warranty and/or result in permanent damage.)

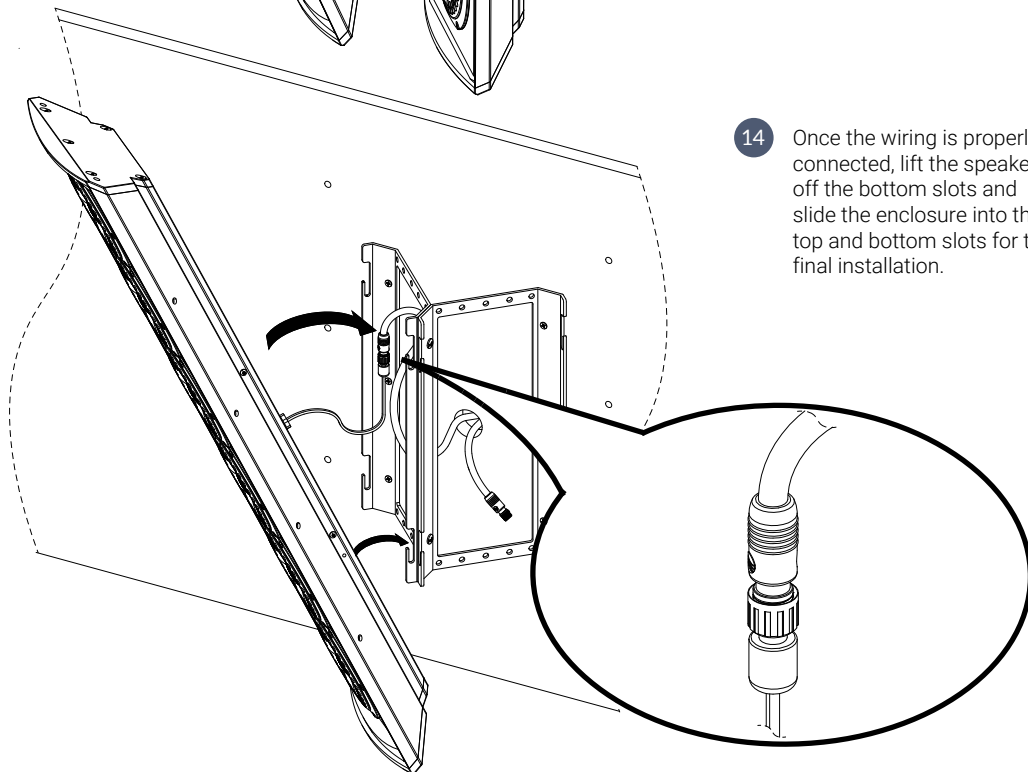


# DUAL STEREO

- 13 Hang the two (2) upper screws of the Razor into the the lower slot of the bracket making sure the speaker wires are pulled upwards and accessible after the speaker is hung.

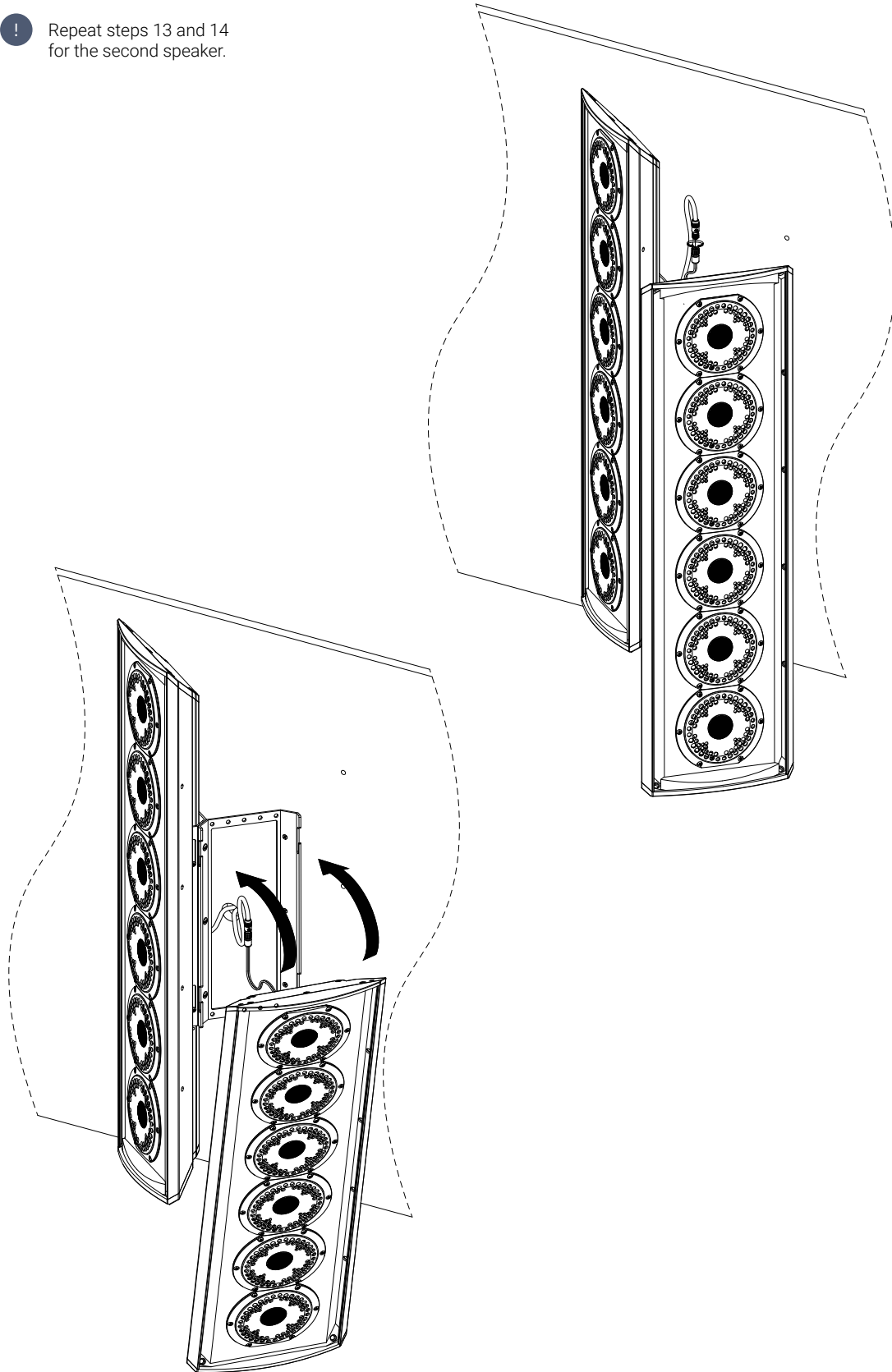


- 14 Once the wiring is properly connected, lift the speaker off the bottom slots and slide the enclosure into the top and bottom slots for the final installation.

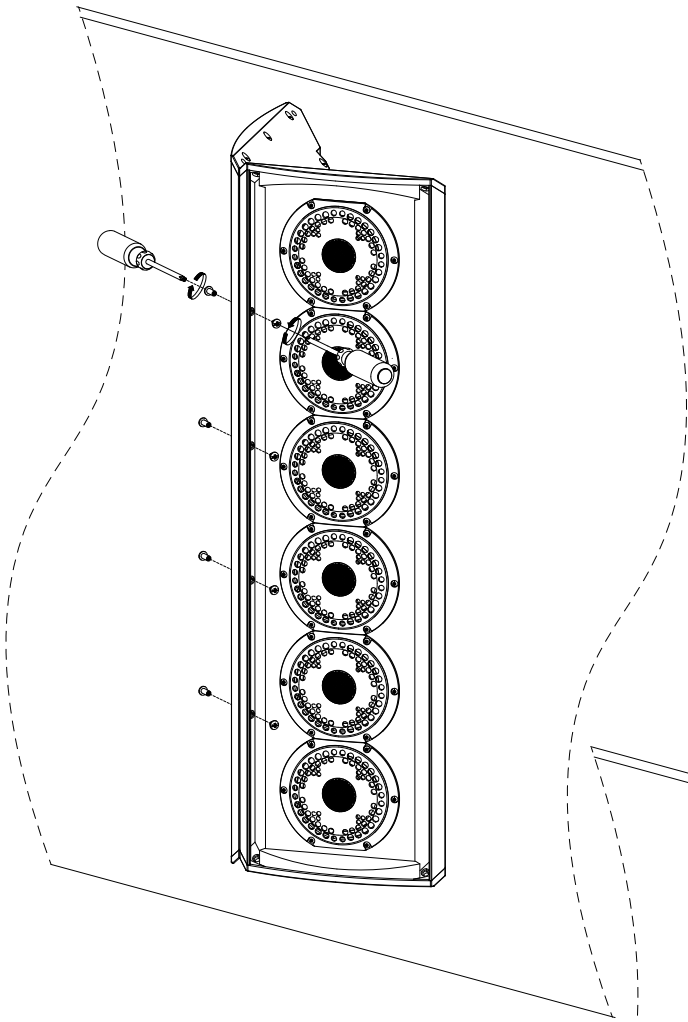


# DUAL STEREO

! Repeat steps 13 and 14 for the second speaker.

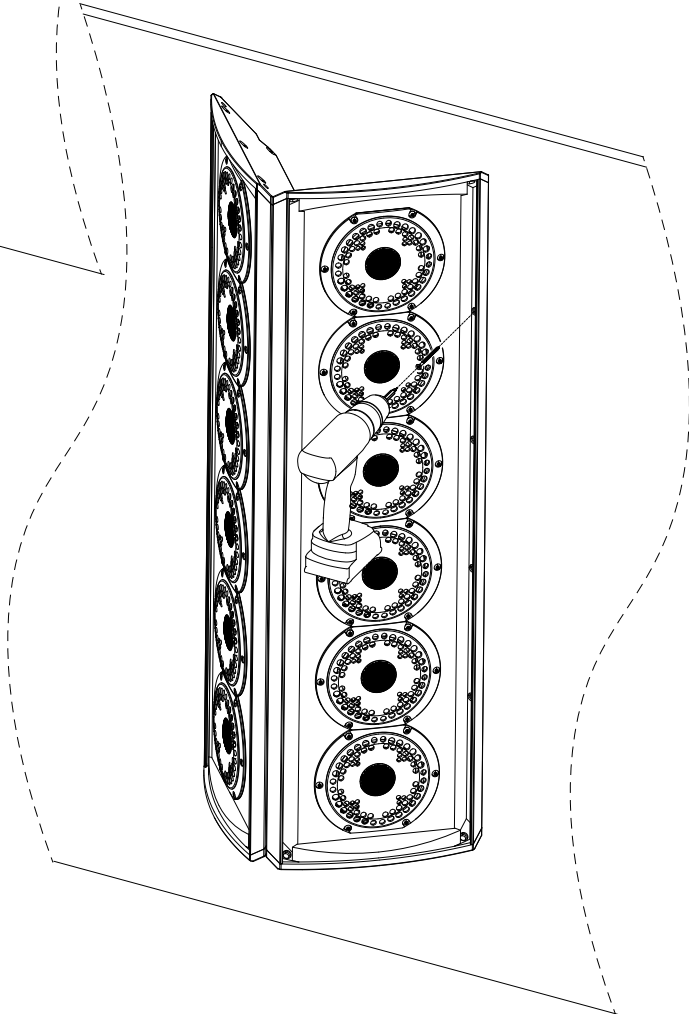


# DUAL STEREO



16 Using the appropriate fasteners, secure the speaker assembly to the wall.

15 Once again secure speakers together using three 1/4" barrel nuts.



# DUAL STEREO

- 17 Reinstall rubber stripping into both speaker enclosures before carefully reinstalling the grilles.

