

## **Getting Started**

1 Connect the NVR Security System

2 Set Up NVR Access

### **Mounting PoE Cam S4**

**PoE Cam S4**

Waterproofing Cable Connectors

### **Mounting PoE Cam E41**

**PoE Cam E41**

Waterproofing Cable Connectors

Mounting PoE Cam E40

**PoE Cam E40**

Waterproofing Cable Connectors

# Getting Started

## For NVR Installation



Network Video Recorder S4  
(with pre-installed 2TB hard drive)



Power Adapter



HDMI Cable



1m Ethernet Cable



USB Mouse

## Tools/Devices You will Need



Monitor/TV



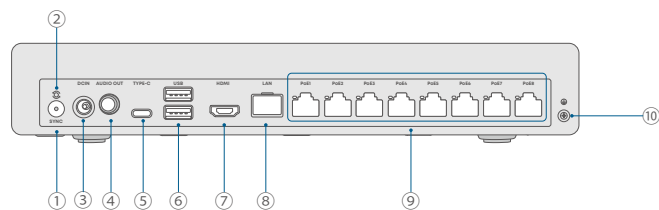
Router

### Front

- ① Hard Drive LED
- ② Network LED
- ③ Power LED
- ④ QR Code

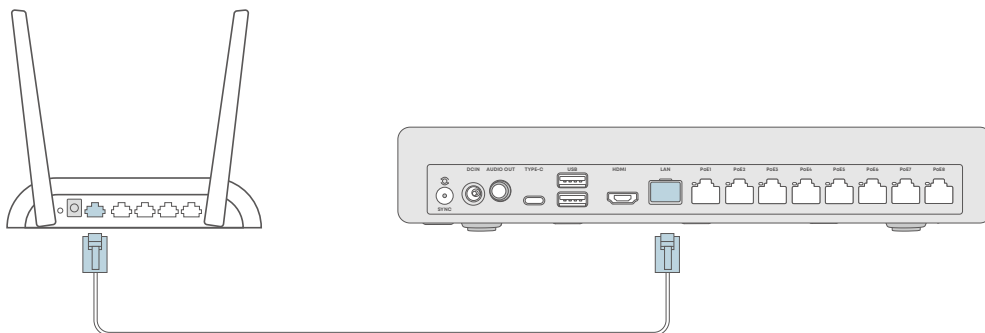
### Back

- ① SYNC Button
- ② Reset Hole
- ③ Power Port
- ④ Audio Output Port
- ⑤ USB-C Port
- ⑥ USB-A Port
- ⑦ HDMI Port
- ⑧ LAN Port
- ⑨ PoE Ports
- ⑩ Grounding Screw

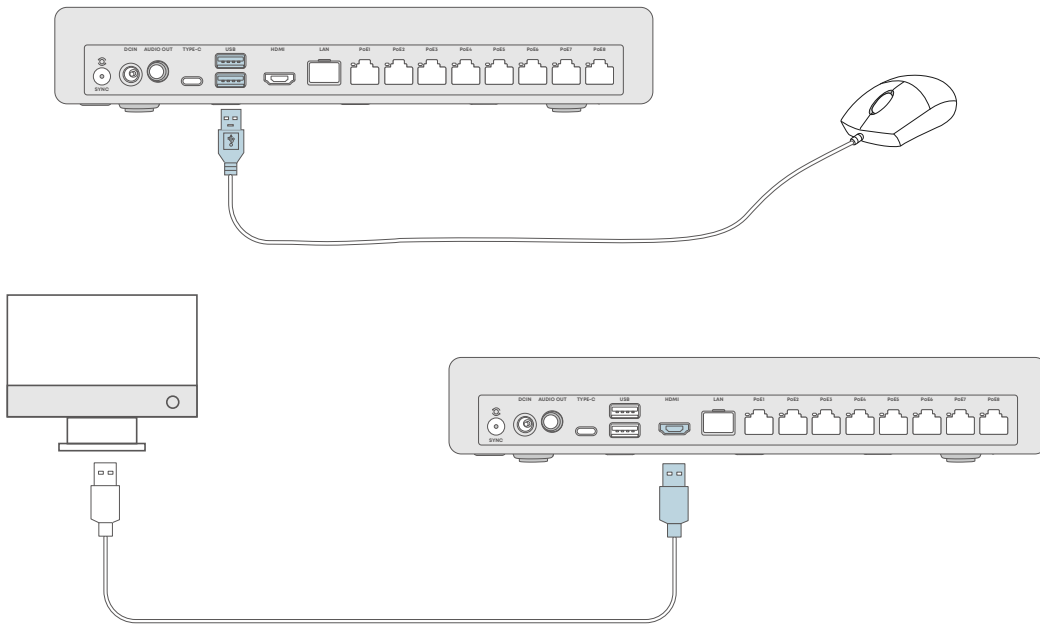


## 1 Connect the NVR Security System

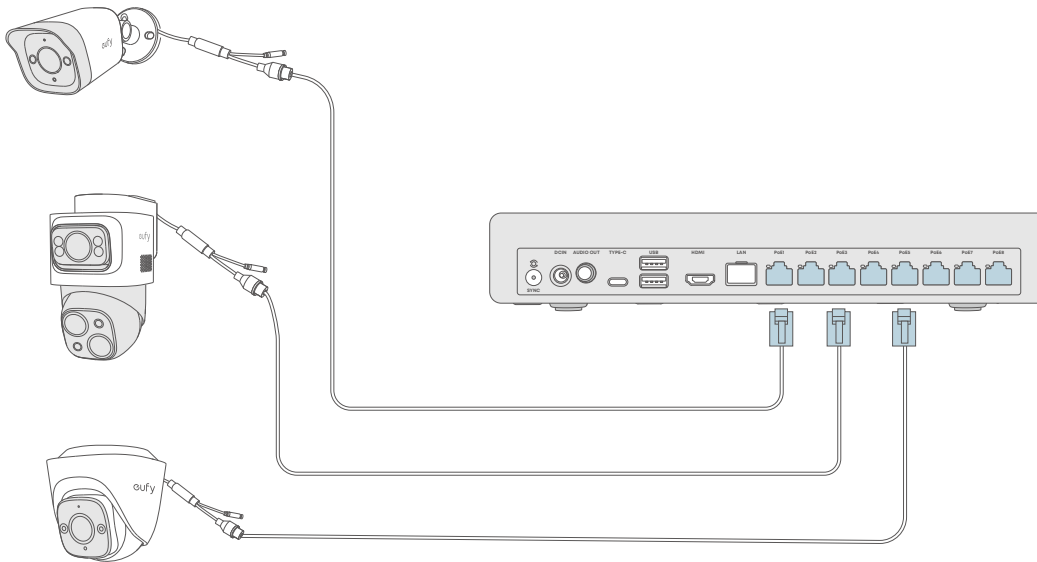
### ① Connect NVR to Your Router




## 2 Connect Mouse and Monitor to NVR

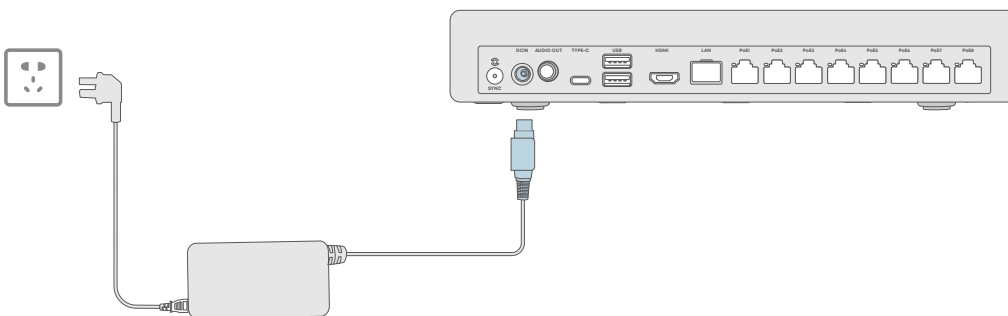


## 3 Connect Cameras to NVR



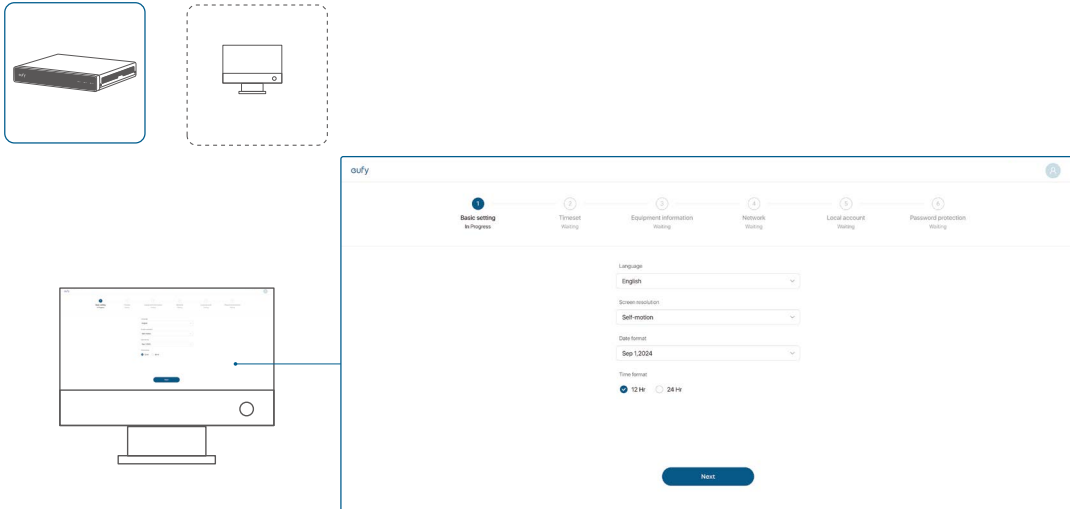
## 4 Connect to Power Supply

 Please leave a minimum clearance of 20 mm (0.78") on the left and right sides of the NVR for proper ventilation.



## 2 Set Up NVR Access

### Option A - Set Up with Your Monitor/TV

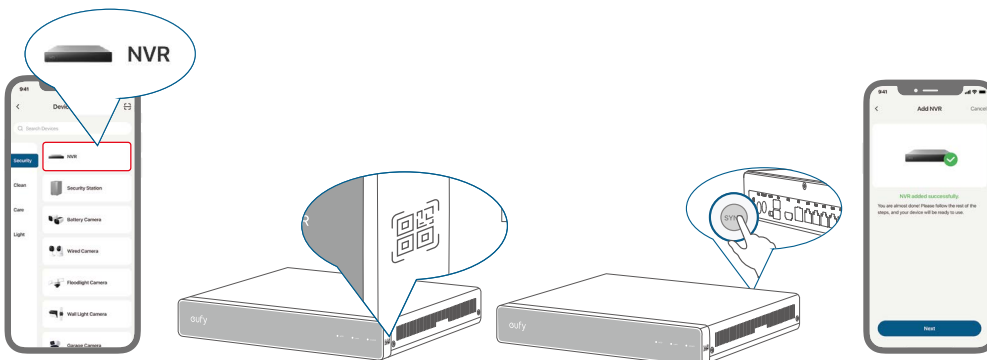


### Option B - Connect NVR to the eufy App



① Download the eufy App

Follow in-app instructions to complete setup.



② Add NVR

③ Scan QR Code

④ Sync NVR

⑤ Pair

# Mounting PoE Cam S4

## Step 1. Get Items Ready

For PoE Cam S4 Installation



PoE Cam S4



Positioning Sticker



Screw Pack



Mounting Bracket



18m Ethernet Cable



Waterproof Cover Pack

Tools/Devices You will Need



Phillips Screwdriver



Power Drill  
13/16" (20.6 mm) & 1/4" (6.3 mm)



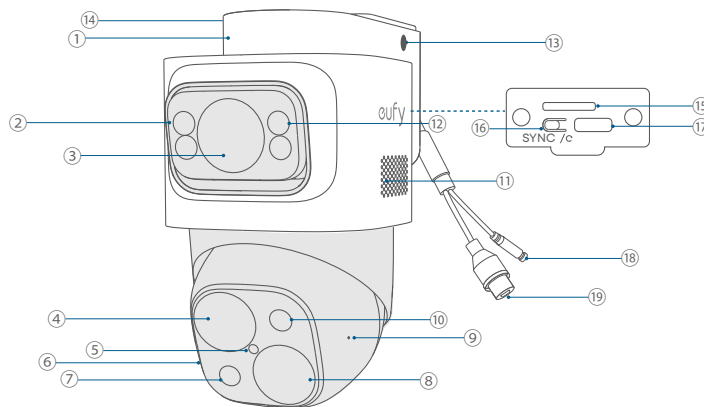
Hammer



Ladder

## PoE Cam S4

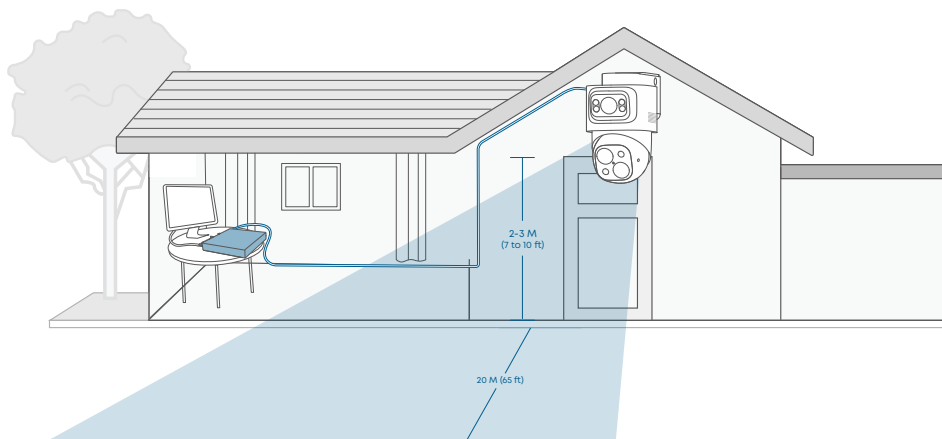
- ① Mounting Base
- ②/⑩/⑫ Spotlight
- ③/④/⑧ Camera Lens
- ⑤ LED Indicator
- ⑥/⑨ Microphone
- ⑦ Warning Light
- ⑪ Speaker
- ⑬/⑭ Spring Screw
- ⑮ SD Card Slot
- ⑯ SYNC/Reset Button
- ⑰ Fusion Link Port
- ⑱ DC Connector
- ⑲ PoE Connector

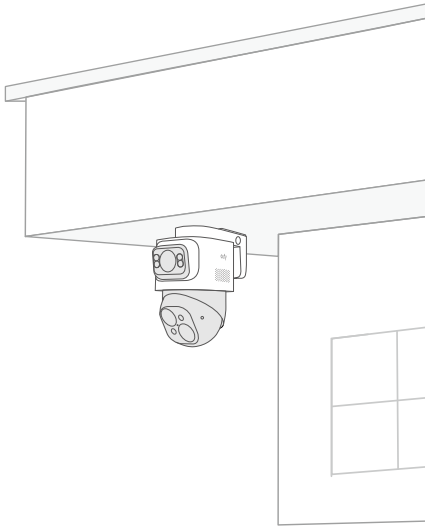


## Step 2. Choose a Location

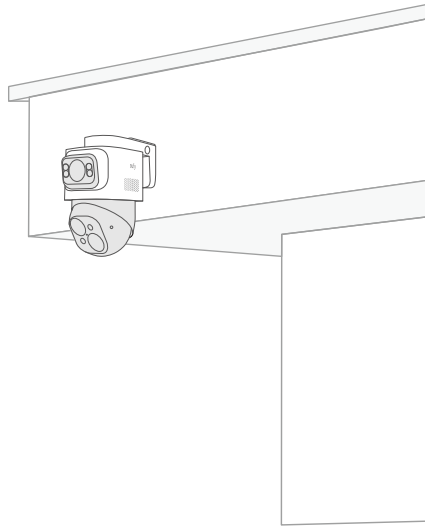
### Recommended Location:

- Height of 2 m to 3 m (7 ft to 10 ft)
- 20 m (65ft) Field of View (for Telephoto Lens)
- On the Ceiling or on a Wall



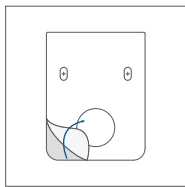
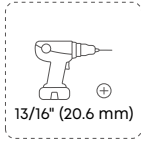
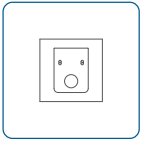


On the Ceiling

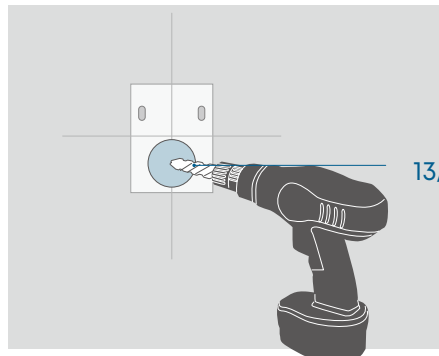


On the Wall

### Step 3. Drill Cable Hole

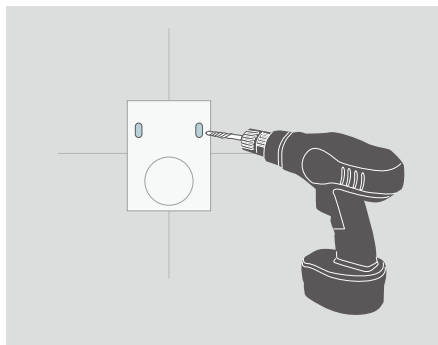
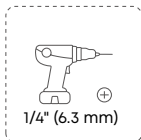
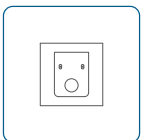


① Position

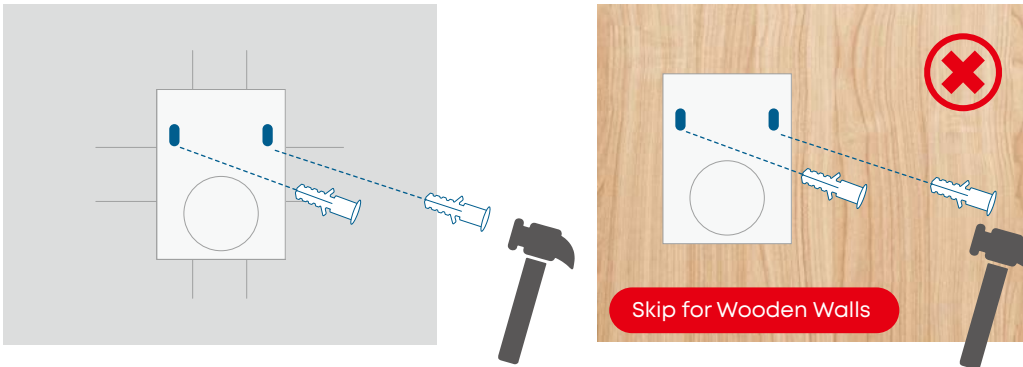
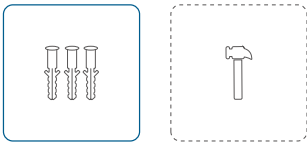


② Drill Holes

### Step 4. Drill Screw Holes

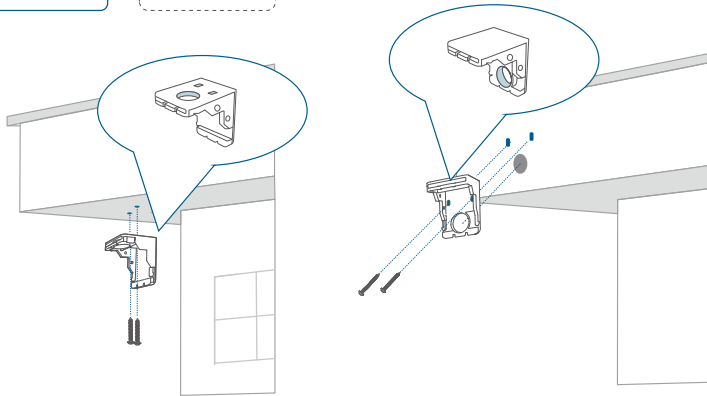
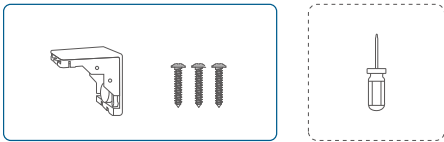


### Step 5. Insert Anchors



### Step 6. Install the Mounting Bracket

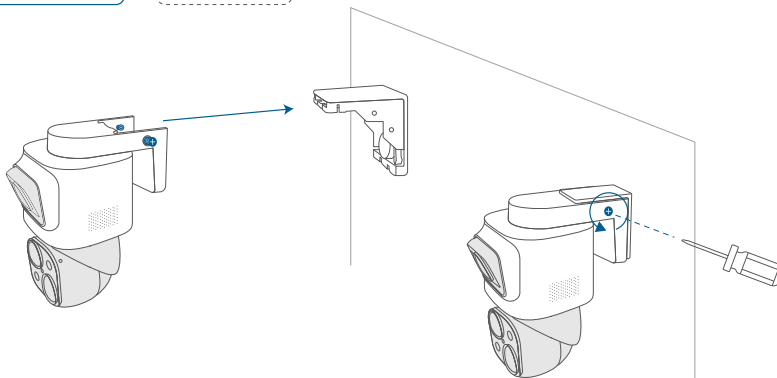
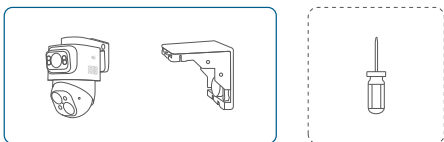
This bracket can be installed either way —just attach the side with 3 holes to the wall/ceiling.



Ceiling Mounting

Wall Mounting

### Step 7. Mount the Camera

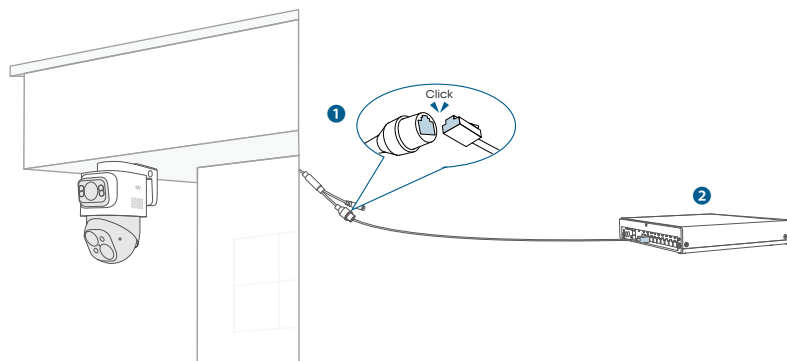
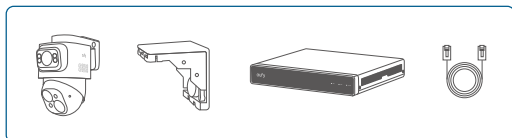


① Insert the Camera

② Lock the Spring Screws

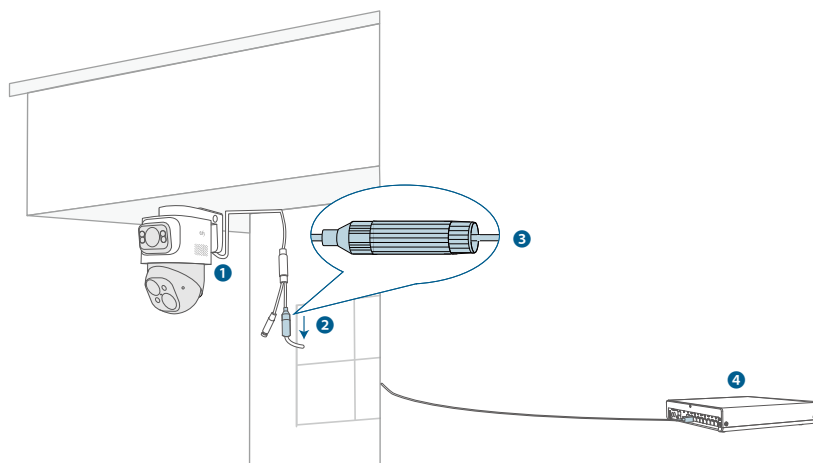
## Step 8. Connect Camera to the NVR

- 1 Connect the camera with the Ethernet cable.
- 2 Ensure the Ethernet cable is connected to the NVR.



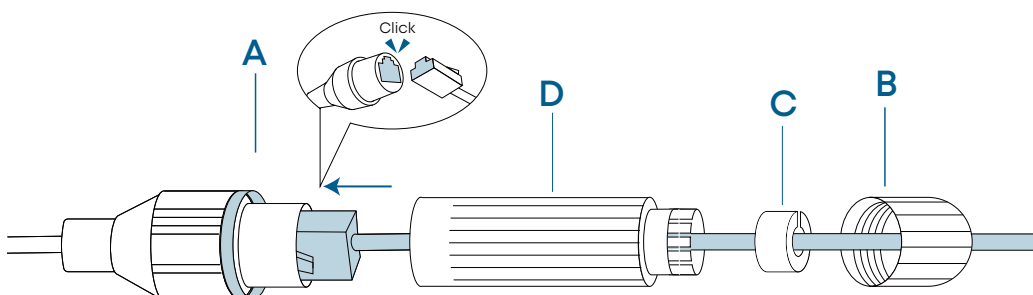
### If the cable connector is exposed outside...

- 1 Route the cable through the cable notch.
- 2 Ensure the connector is positioned **downward** to prevent water intrusion.
- 3 Install the waterproof cover and connect the camera with the Ethernet cable ([next page](#)).
- 4 Ensure the Ethernet cable is connected to the NVR.



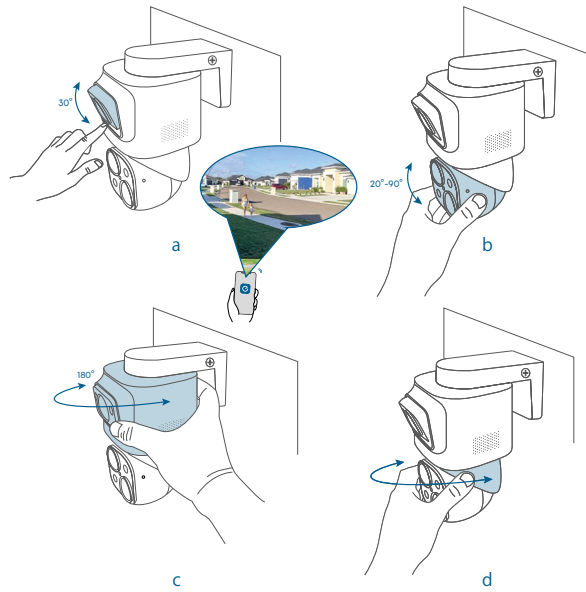
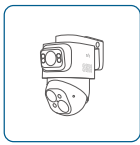
## Waterproofing Cable Connectors

- 1 Ensure **A** is pre-installed on the PoE connector of the camera.
- 2 Route the Ethernet cable through these components in order: **B, C, and D**.
- 3 Plug the Ethernet cable into the camera PoE connector.
- 4 Attach **D** with the camera PoE connector, and twist to lock.
- 5 Insert **C** into **D**, and rotate **B** to secure it to **D**.



💡 The shape of the waterproof cover and the connector may vary slightly.

### Step 9. Adjust the Camera Field of View



① Remove the Protective Film

② • Rotate the Camera to the Optimal Angle  
• Check the Live Stream in the App

## Mounting PoE Cam E41

### Step 1. Get Items Ready

For PoE Cam E41 Installation



PoE Cam E41



Positioning Sticker



Screw Pack



Mounting Bracket



18m Ethernet Cable



Waterproof Cover Pack

Tools/Devices You will Need



Phillips Screwdriver



Power Drill  
13/16" (20.6 mm) & 1/4" (6.3 mm)



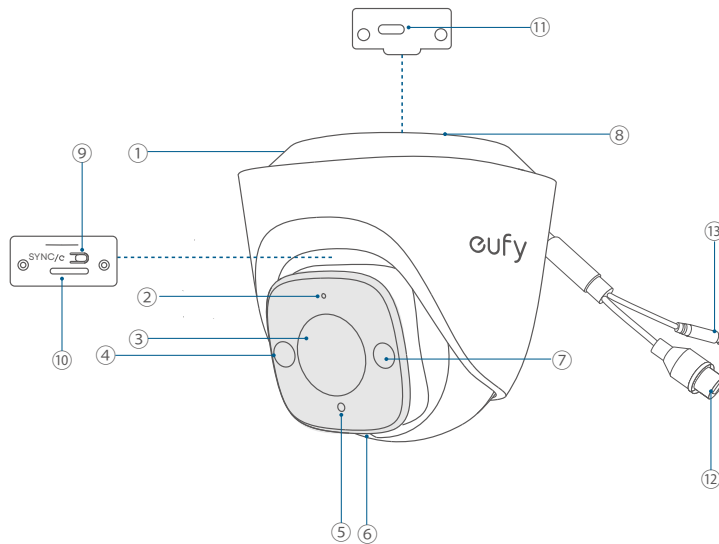
Hammer



Ladder

# PoE Cam E41

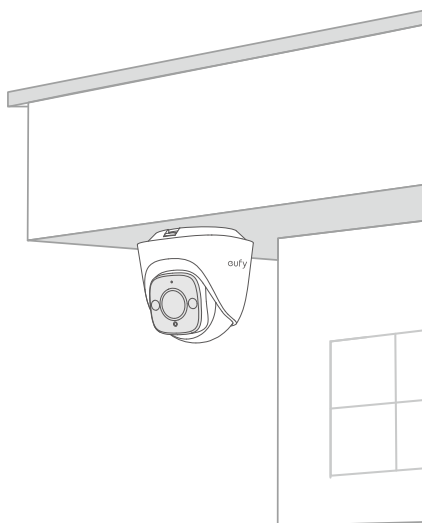
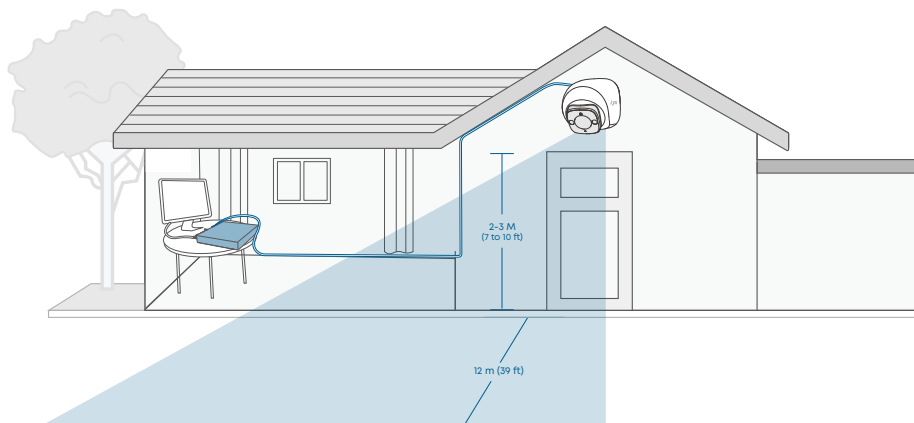
- ① Mounting Base
- ② Microphone
- ③ Camera Lens
- ④ Spotlight
- ⑤ LED Indicator
- ⑥ Speaker
- ⑦ Warning Light
- ⑧ Cable Notch
- ⑨ SYNC/Reset Button
- ⑩ SD Card Slot
- ⑪ Fusion Link Port
- ⑫ PoE Connector
- ⑬ DC Connector



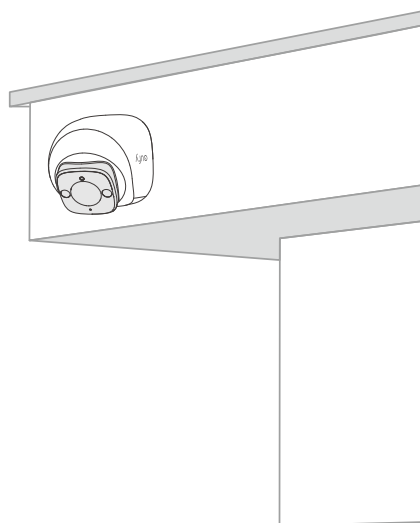
## Step 2. Choose a Location

### Recommended Location:

- Height of 2 m to 3 m (7 ft to 10 ft)
- 12 m (39 ft) Field of View
- On the Ceiling or on a Wall

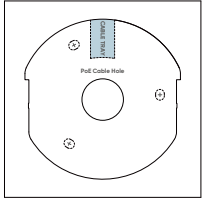
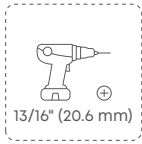
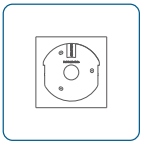


On the Ceiling

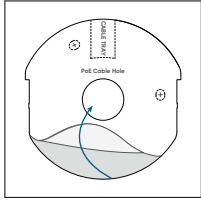


On the Wall

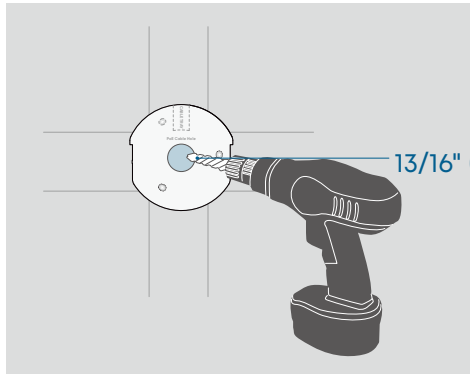
### Step 3. Drill Cable Hole



a



b

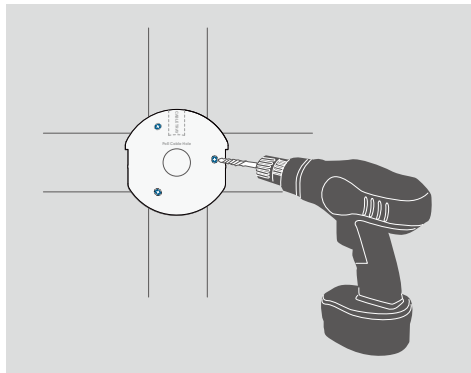
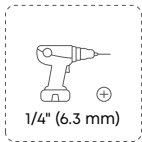
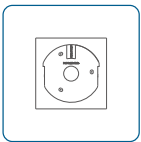


① Determine Cable Direction

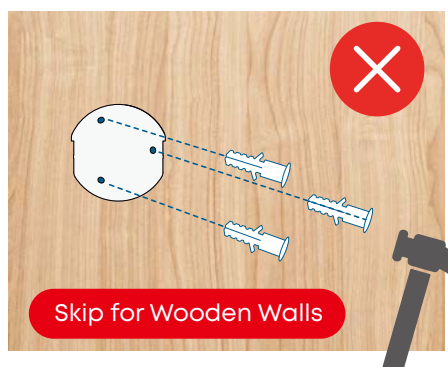
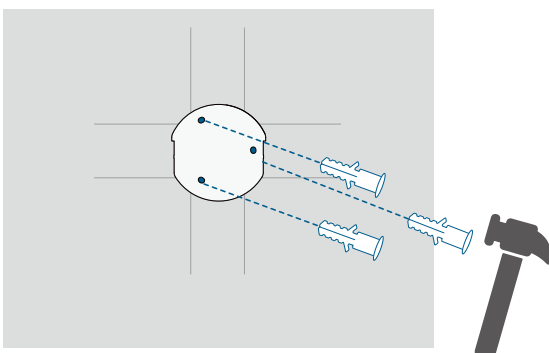
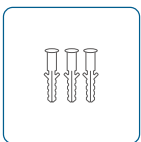
② Position

③ Drill Holes

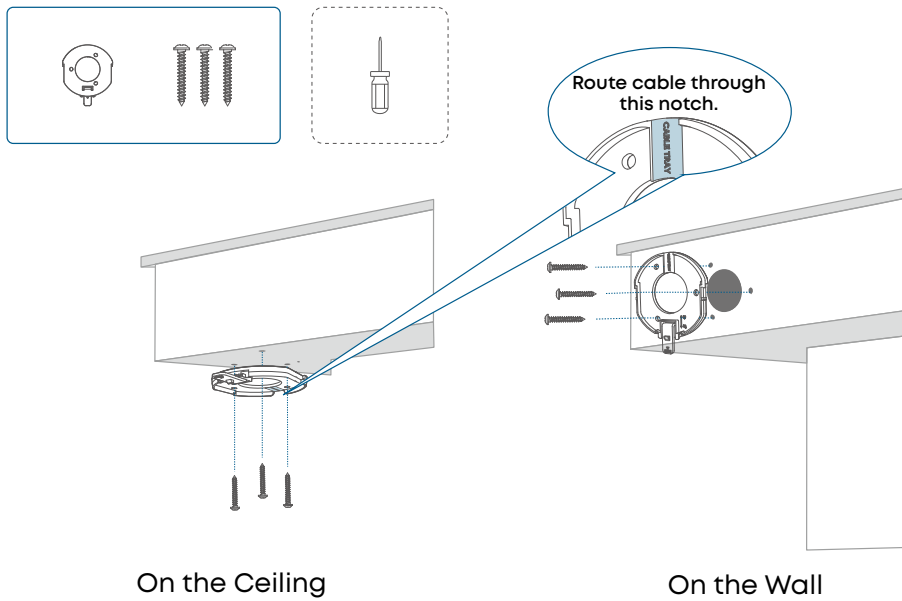
### Step 4. Drill Screw Holes



### Step 5. Insert Anchors

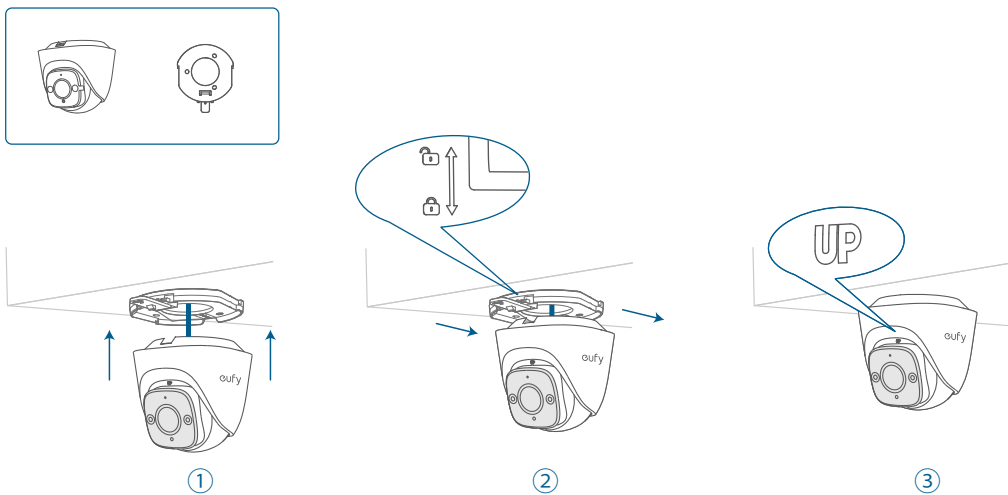


## Step 6. Install the Mounting Bracket



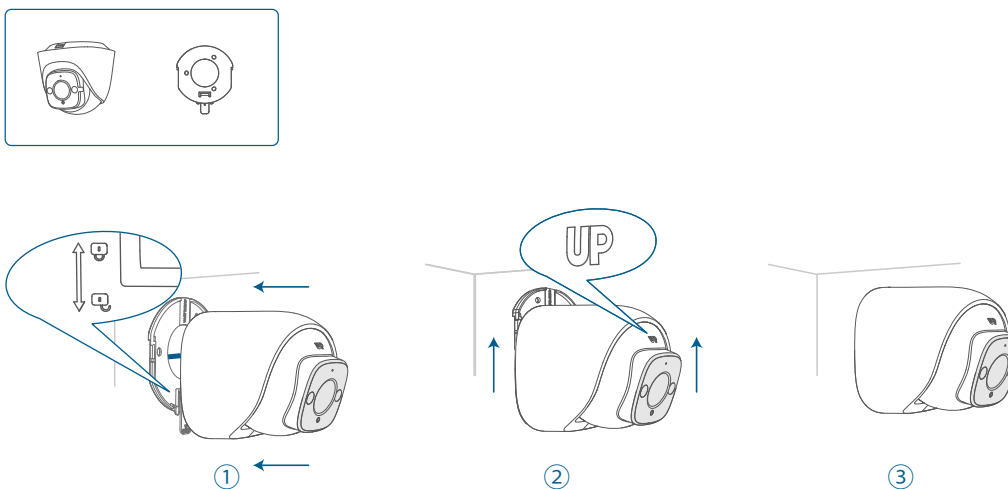
## Step 7. Mount the Camera

### Ceiling Mounting



💡 Ensure the camera is ALWAYS positioned upright with the 'UP' mark facing upward; otherwise, the live stream image will appear upside down.

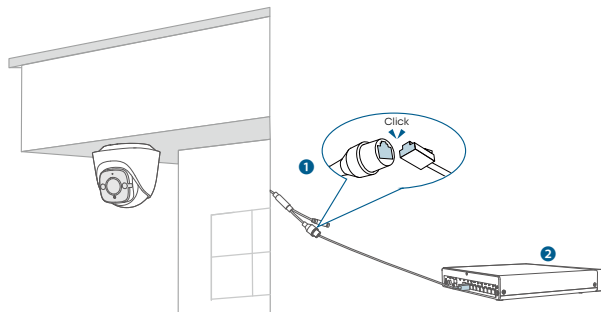
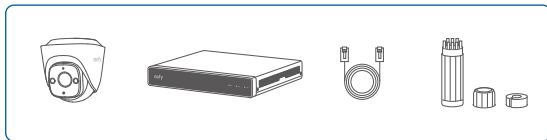
### Wall Mounting



💡 Ensure the camera is ALWAYS positioned upright with the 'UP' mark facing upward; otherwise, the live stream image will appear upside down.

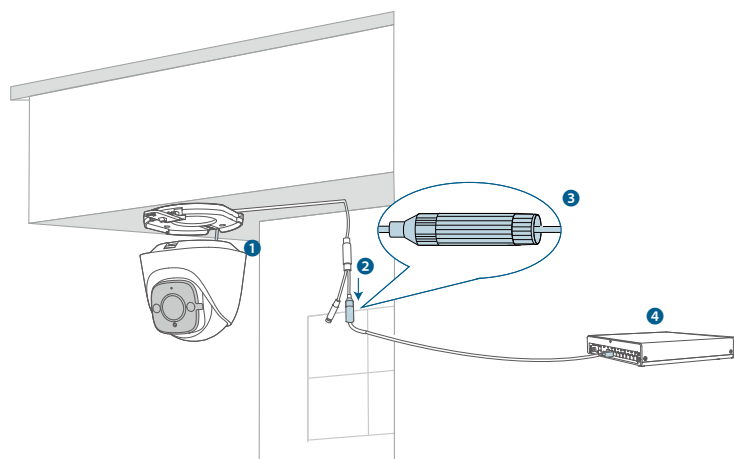
## Step 8. Connect Camera to the NVR

- 1 Connect the camera with the Ethernet cable.
- 2 Ensure the Ethernet cable is connected to the NVR.



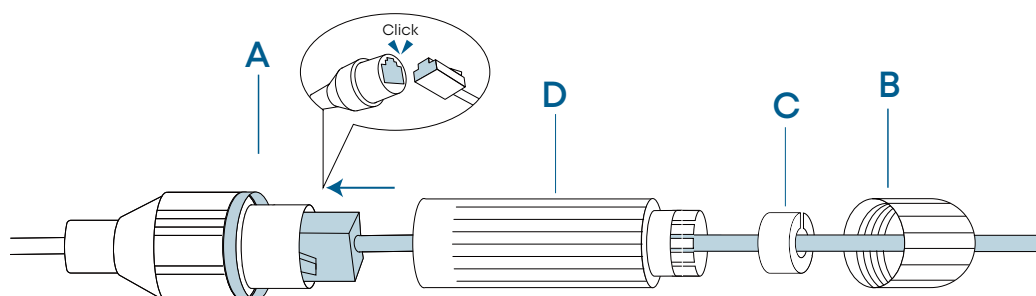
### If the cable connector is exposed outside...

- 1 Route the cable through the cable notch.
- 2 Ensure the connector is positioned **downward** to prevent water intrusion.
- 3 Install the waterproof cover and connect the camera with the Ethernet cable ([next page](#)).
- 4 Ensure the Ethernet cable is connected to the NVR.



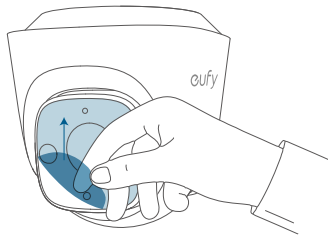
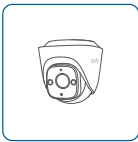
## Waterproofing Cable Connectors

- 1 Ensure **A** is pre-installed on the PoE connector of the camera.
- 2 Route the Ethernet cable through these components in order: **B**, **C**, and **D**.
- 3 Plug the Ethernet cable into the camera PoE connector.
- 4 Attach **D** with the camera PoE connector, and twist to lock.
- 5 Insert **C** into **D**, and rotate **B** to secure it to **D**.

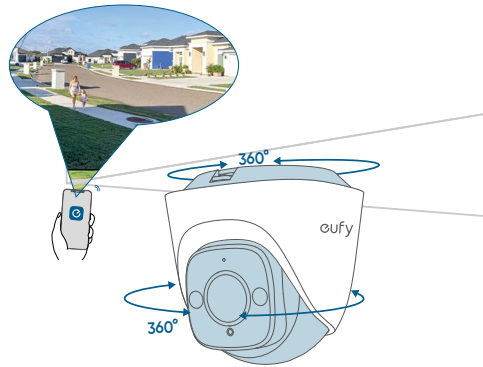


💡 The shape of the waterproof cover and the connector may vary slightly.

## Step 9. Adjust the Camera Field of View



① Remove the Protective Film

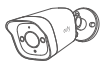


② • Rotate the Camera to the Optimal Angle  
• Check the Live Stream in the App

## Mounting PoE Cam E40

### Step 1. Get Items Ready

For PoE Cam E40 Installation



PoE Cam E40



Positioning Sticker



Screw Pack



18m Ethernet Cable



Waterproof Cover Pack

Tools/Devices You will Need



Phillips Screwdriver



Power Drill  
15/16" (20.6 mm) & 1/4" (6.3 mm)



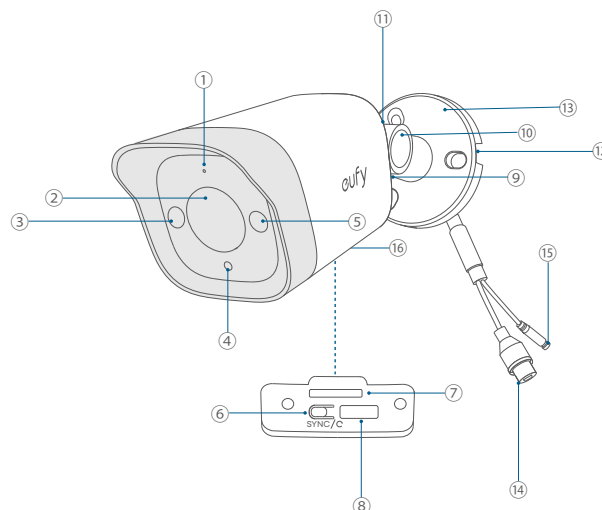
Hammer



Ladder

## PoE Cam E40

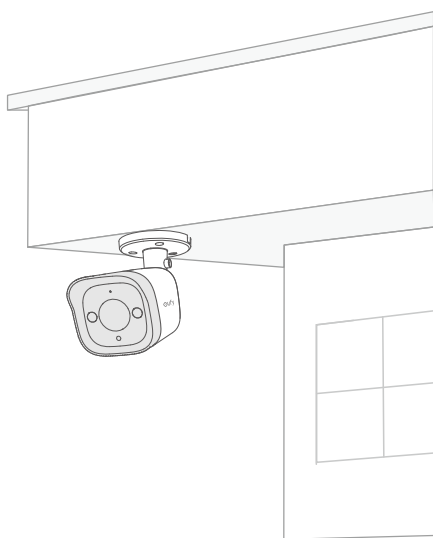
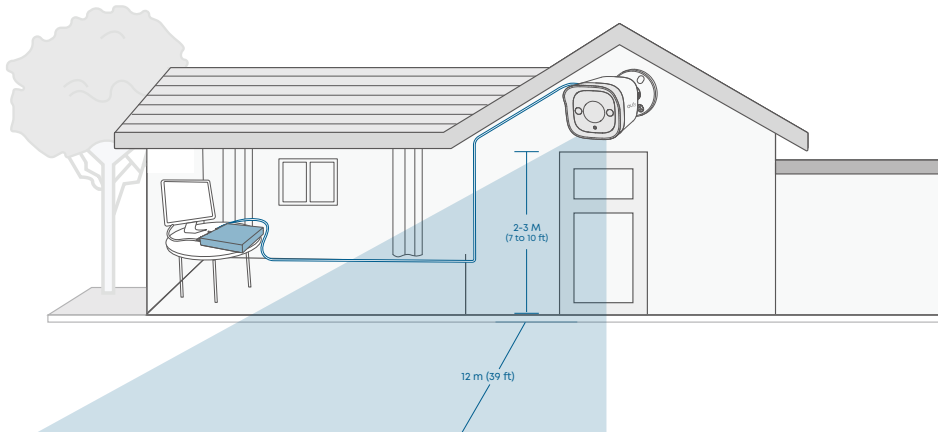
- ① Microphone
- ② Camera Lens
- ③ Spotlight
- ④ LED Indicator
- ⑤ Warning Light
- ⑥ SYNC/Reset Button
- ⑦ SD Card Slot
- ⑧ Fusion Link Port
- ⑨ Camera Bottom Screw
- ⑩ Angle Adjustment Knob
- ⑪ Bracket Bottom Screw
- ⑫ Cable Notch
- ⑬ Mounting Bracket
- ⑭ PoE Connector
- ⑮ DC Connector
- ⑯ Speaker



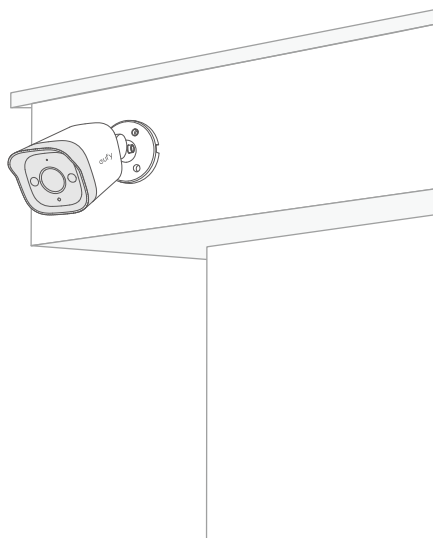
## Step 2. Choose a Location

### Recommended Location:

- Height of 2 m to 3 m (7 ft to 10 ft)
- 12 m (39 ft) Field of View
- On the Ceiling or on a Wall

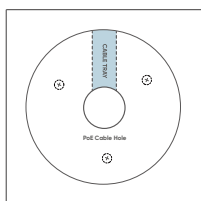
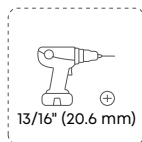
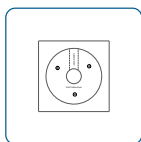


On the Ceiling

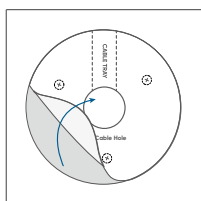


On the Wall

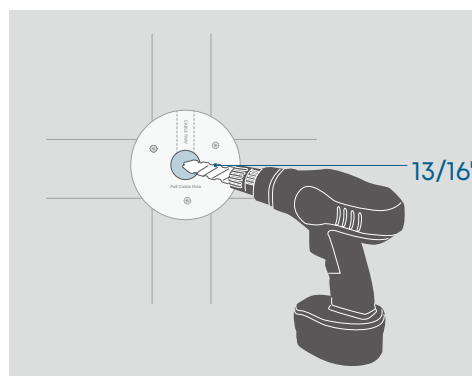
## Step 3. Drill Cable Hole



a



b



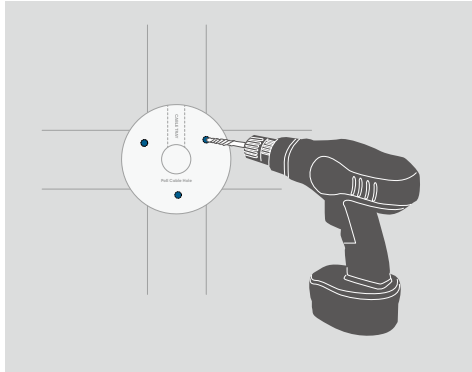
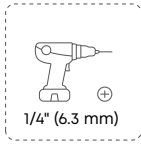
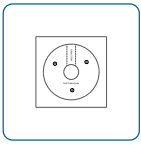
13/16" (20.6 mm)

① Determine Cable Direction

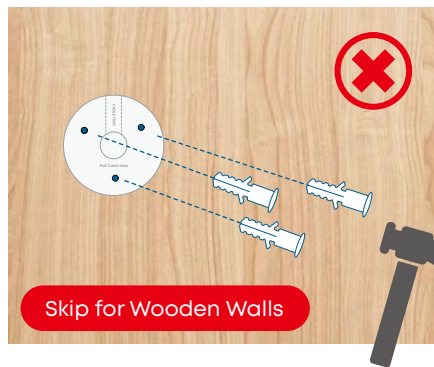
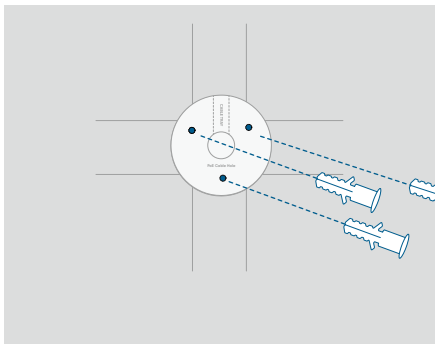
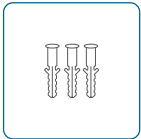
② Position

③ Drill Holes

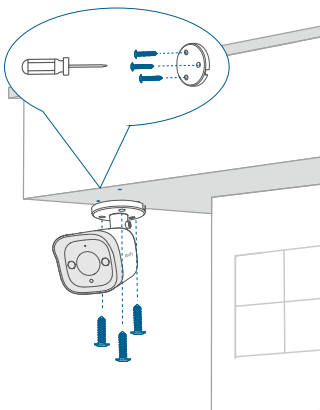
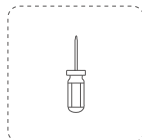
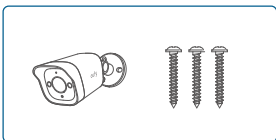
#### Step 4. Drill Screw Holes



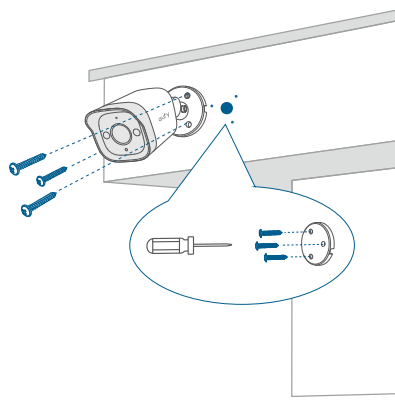
#### Step 5. Insert Anchors



#### Step 6. Mount the Camera



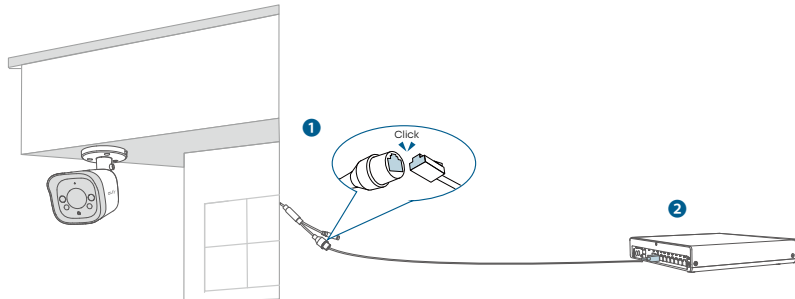
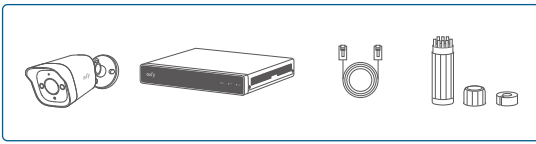
On the Ceiling



On the Wall

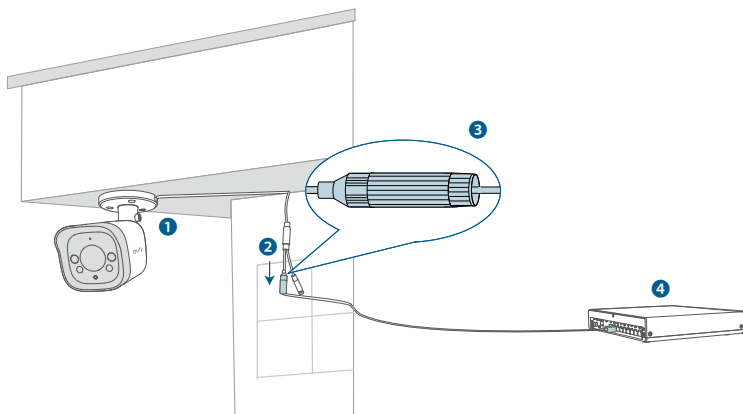
## Step 7. Connect Camera to the NVR

- 1 Connect the camera with the Ethernet cable.
- 2 Ensure the Ethernet cable is connected to the NVR.



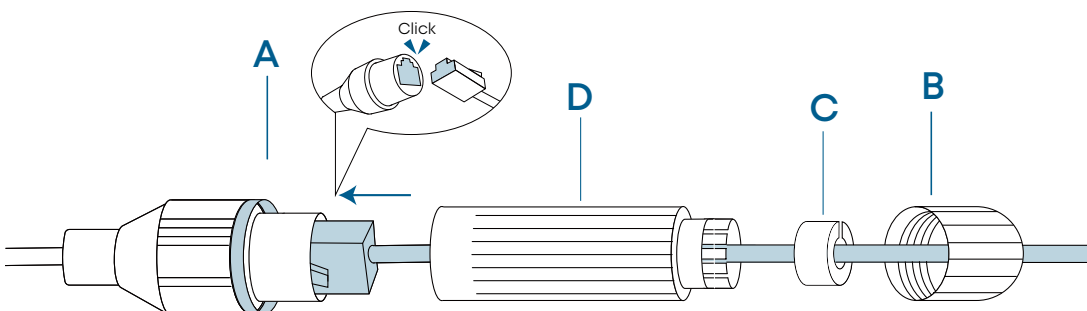
### If the cable connector is exposed outside...

- 1 Route the cable through the cable notch.
- 2 Ensure the connector is positioned **downward** to prevent water intrusion.
- 3 Install the waterproof cover and connect the camera with the Ethernet cable ([next page](#)).
- 4 Ensure the Ethernet cable is connected to the NVR.



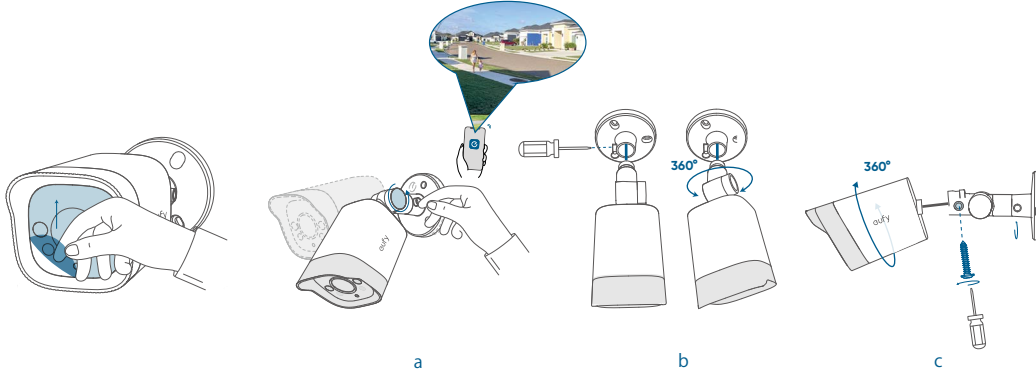
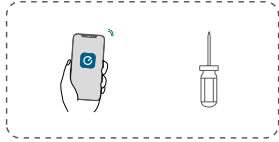
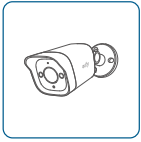
## Waterproofing Cable Connectors

- 1 Ensure **A** is pre-installed on the PoE connector of the camera.
- 2 Route the Ethernet cable through these components in order: **B, C, and D**.
- 3 Plug the Ethernet cable into the camera PoE connector.
- 4 Attach **D** with the camera PoE connector, and twist to lock.
- 5 Insert **C** into **D**, and rotate **B** to secure it to **D**.



💡 The shape of the waterproof cover and the connector may vary slightly.

## Step 8. Adjust the Camera Field of View



1 Remove the Protective Film

2 • Adjust the Knob or Screws to Get an Optimal Angle  
• Check the Live Stream in the App

## Congratulations!



Now you're all set to use your eufyCam!

Please explore more in the eufy app.