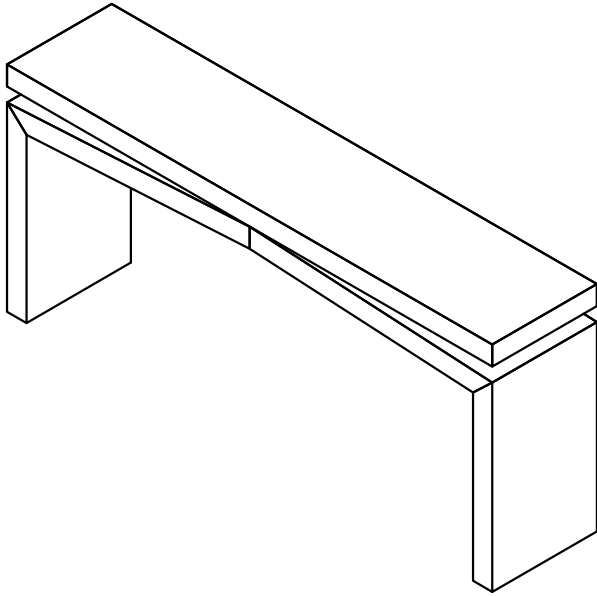






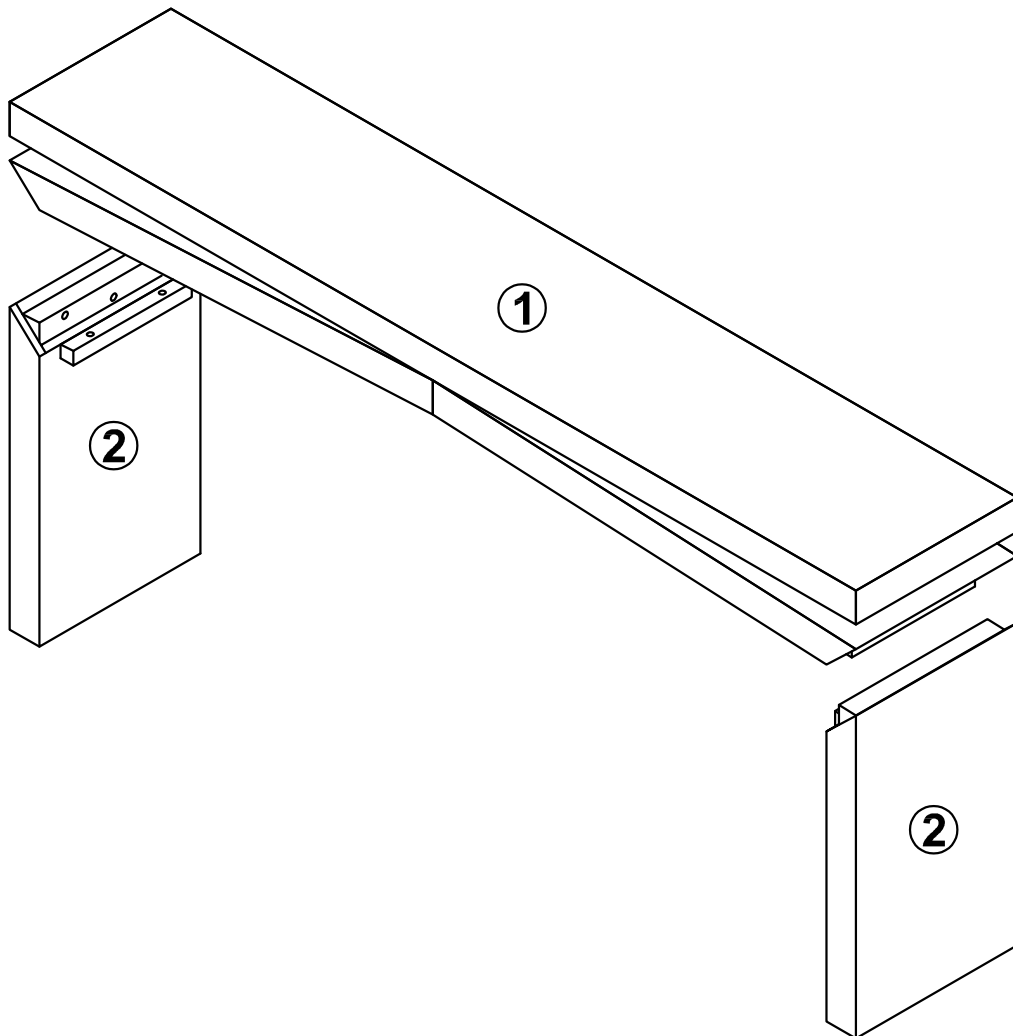


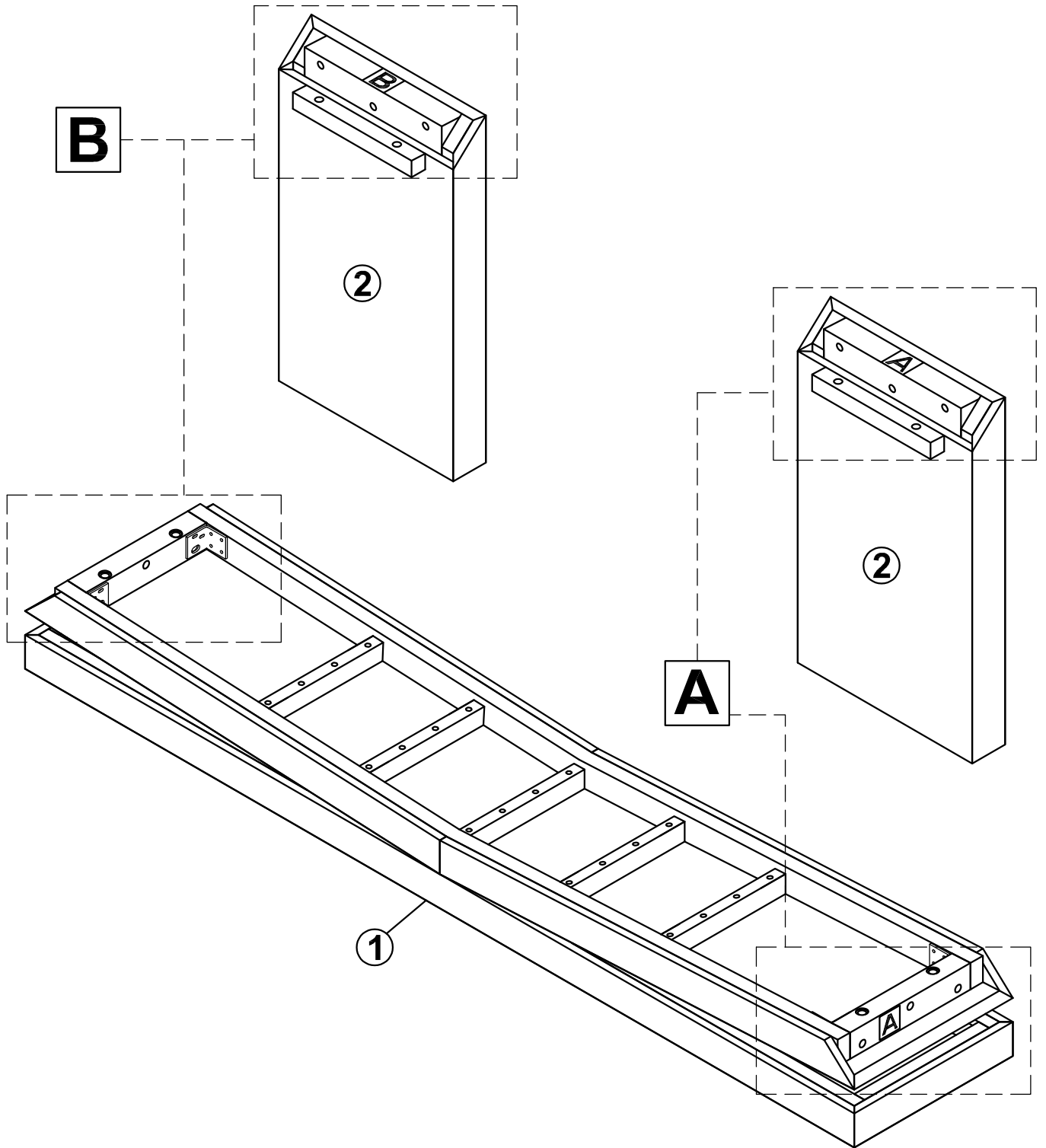
# ASSEMBLY INSTRUCTION FOR MATTHES CONSOLE TABLE



Hardware List				
A		Bolt	8x50mm	4
B		Flat Washer	8x19mm	4
C		Allen Key	4mm	1
D		Hex Bolt	10x80mm	6
E		Flat Washer	10x23mm	6
F		Wrench	17mm	1

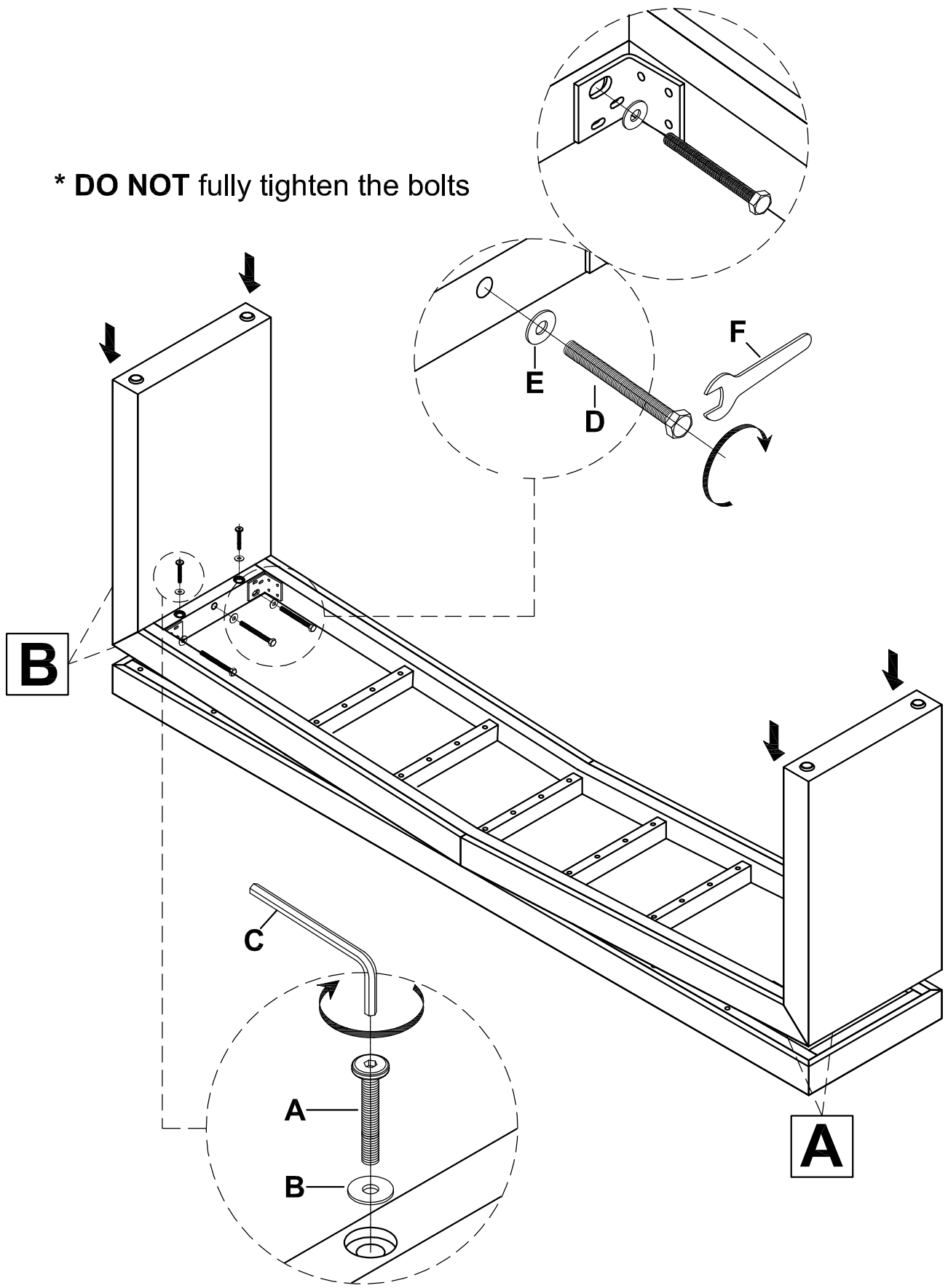


Step 1

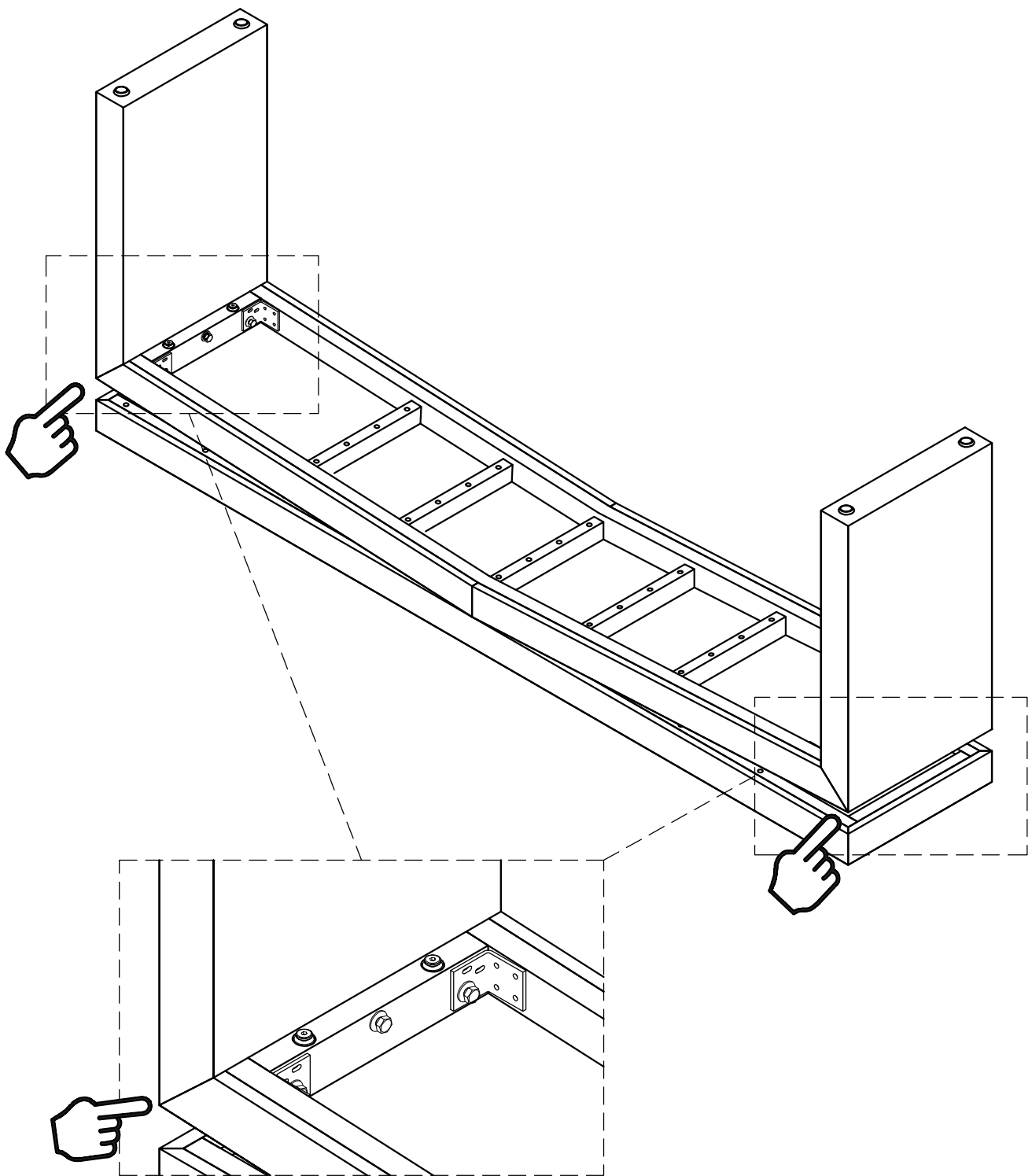


**Step 2**

**\* DO NOT** fully tighten the bolts



Step 3

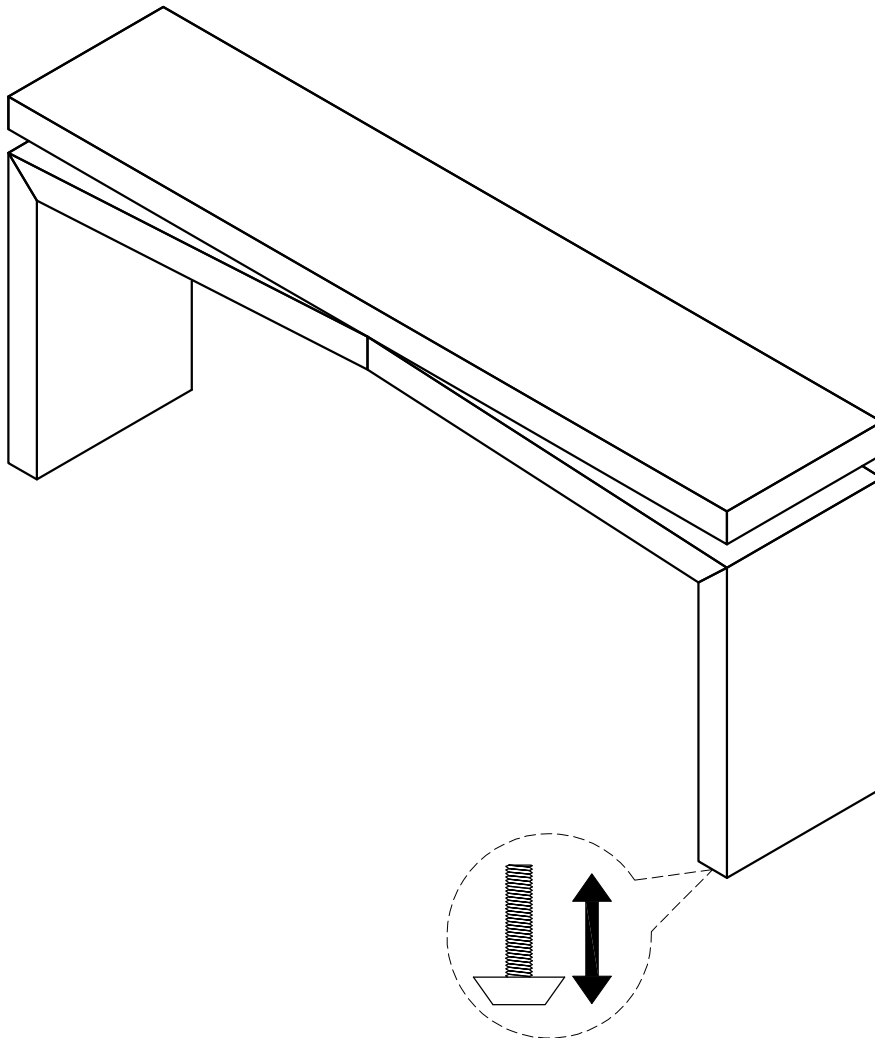


\* Make sure top and base are completely fit and flush then tighten the bolts

## Step 4

### Adjusting floor levelers

Your furniture has been expertly crafted and re-adjusted by professionals. However, slight shifts can occur during transportation. If you notice that the furniture wobbles, a quick adjustment can help ensure stability and a seamless look.



### Adjusting Floor Levelers

**Check for stability** - Place the furniture in its final position on a level surface. If it wobbles or doesn't sit evenly, the floor levelers need adjusting.

**Locate the levelers** - These are small adjustable feet found at the bottom corners of your furniture.

**Adjust as needed** - Using your hand or a wrench, turn the levelers clockwise to raise or counterclockwise to lower the furniture. Make small adjustments and check stability after each turn.

If you need further adjustments, repeat the process in small increments.