



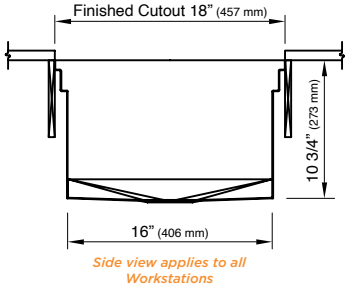
## **Installation Guide**

Workstations<sup>2</sup>, Work&WashStations<sup>2</sup>,  
Workstations<sup>2</sup>/WashStations<sup>2</sup> with DryDock<sup>®</sup>,  
BarStations<sup>2</sup> and WashStations<sup>2</sup>



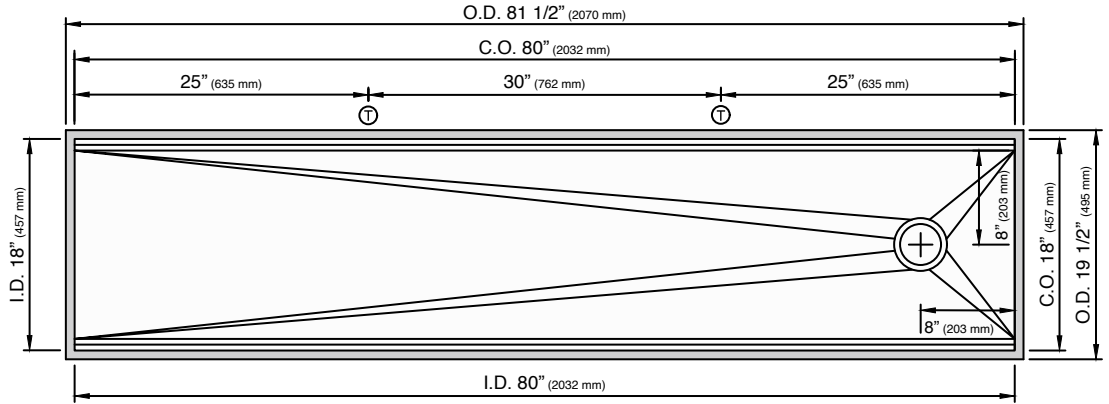
# Workstations<sup>2</sup>

Right Hand Drain Orientation

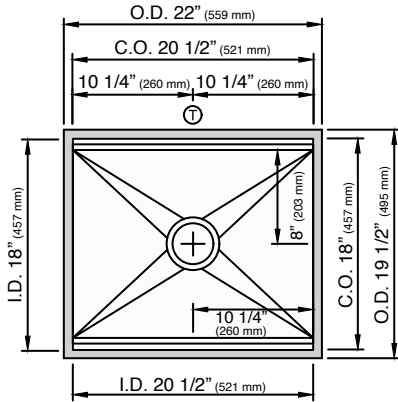


Side view applies to all Workstations

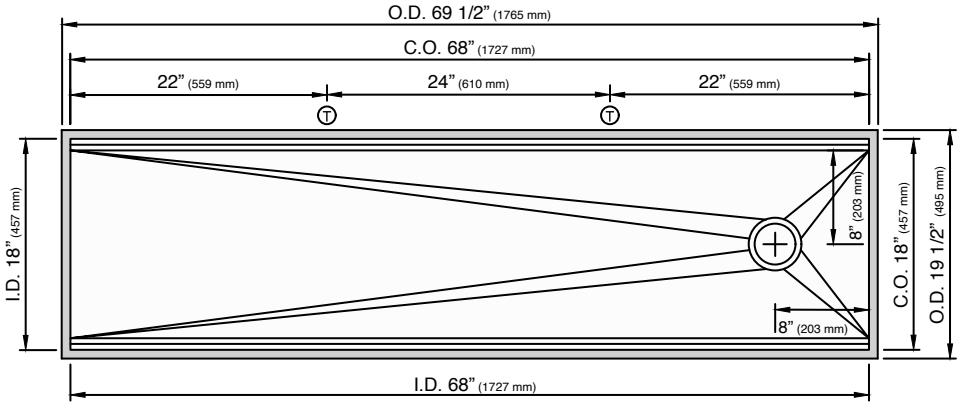
IWS-7-S-2



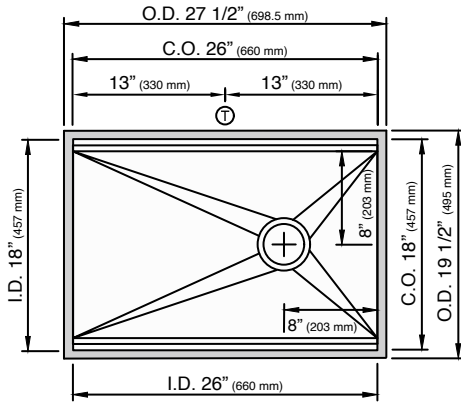
IWS-2-C-2



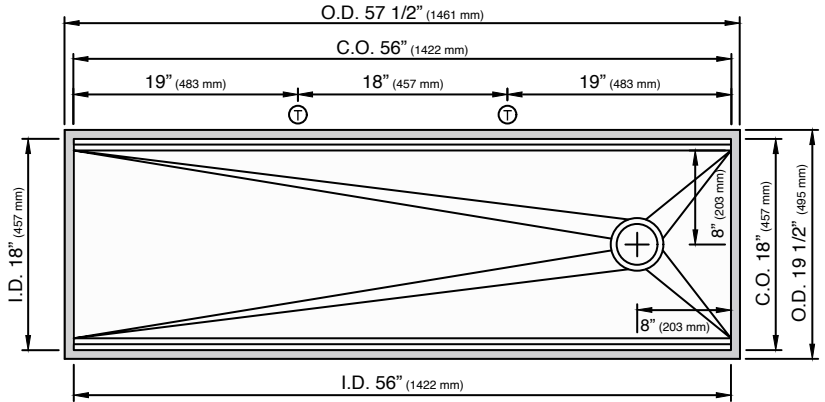
IWS-6-S-2



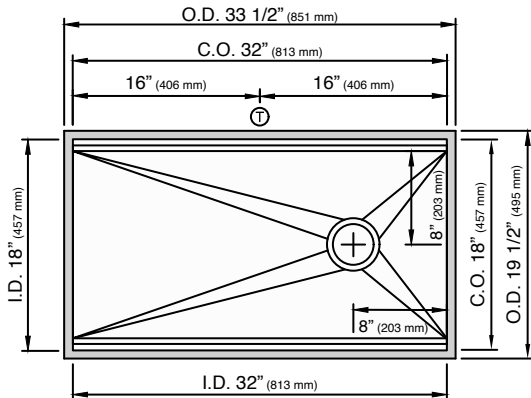
IWS-30-S-2



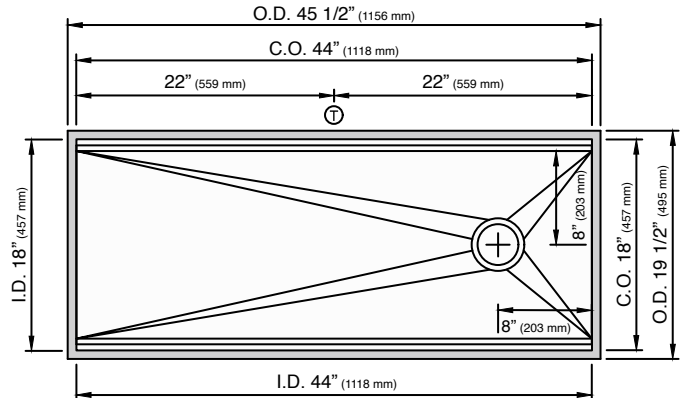
IWS-5-S-2



IWS-3-S-2



IWS-4-S-2



## SUGGESTED GALLEY TAP PLACEMENT GUIDE

Suggested maximum inside corner radius of countertop cutout 3/8"

Ⓣ Galley Tap 1 3/8" minimum to 1 1/2" maximum hole diameter

Center Tap hole diameters 2" behind cutout

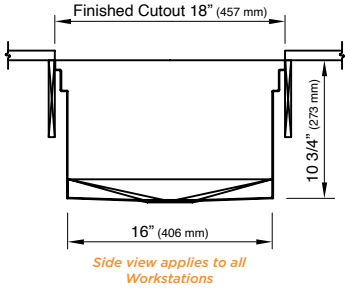
Note: Galley Hot & Cold Tap requires a minimum 8" clearance to center if installed to the right of the Galley Tap

Note: Tap Placements are for right hand or left hand drain orientation

Call 800.375.4255 or email [customercare@thegalley.com](mailto:customercare@thegalley.com) for additional guidance on Tap and Tap Accessory placements

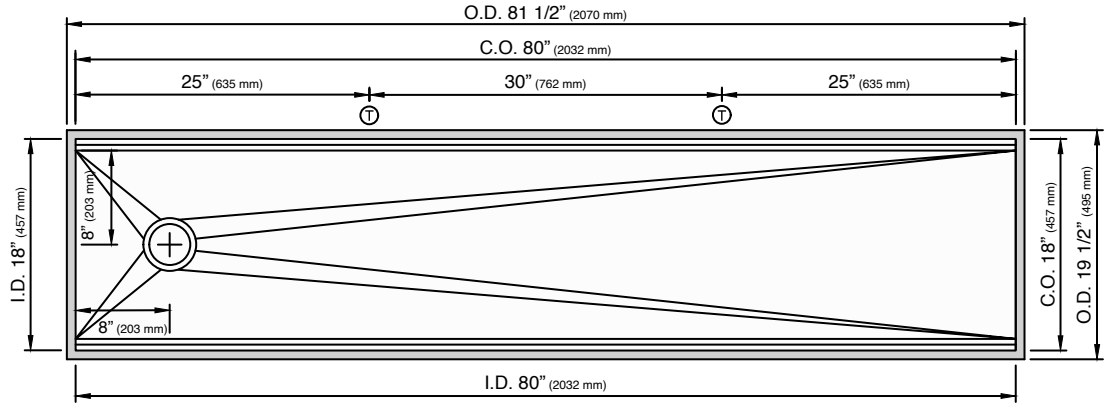
# Workstations<sup>2</sup>

Left Hand Drain Orientation

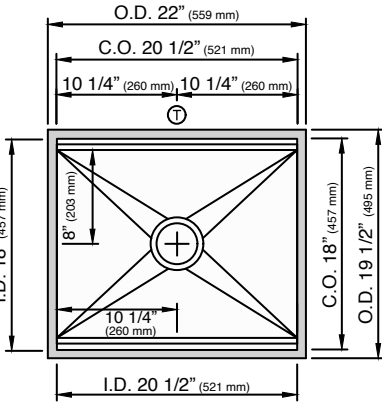


Side view applies to all Workstations

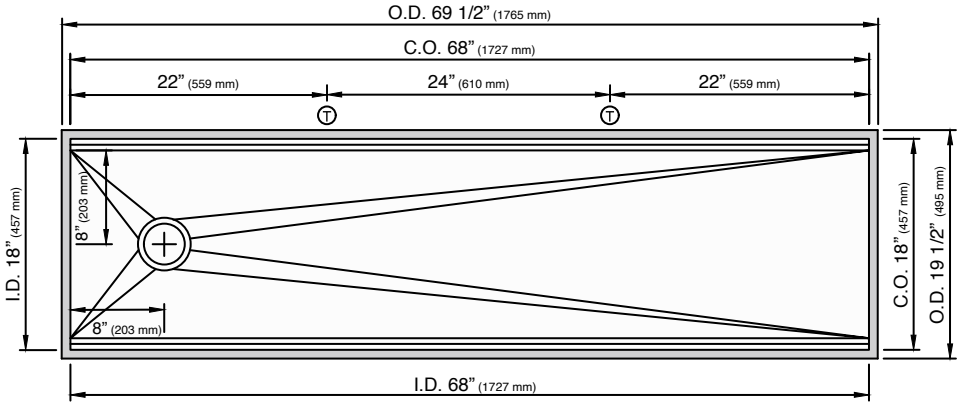
IWS-7-S-2



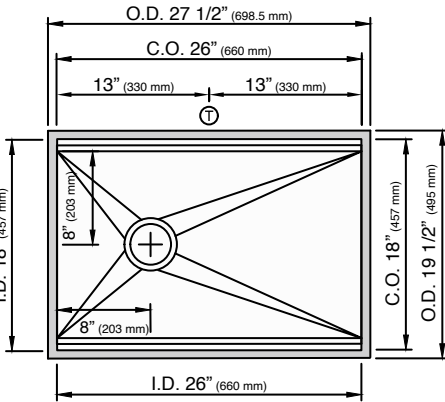
IWS-2-C-2



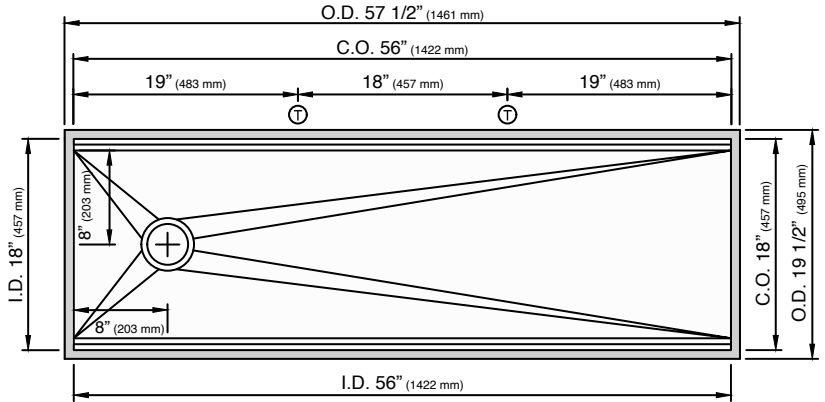
IWS-6-S-2



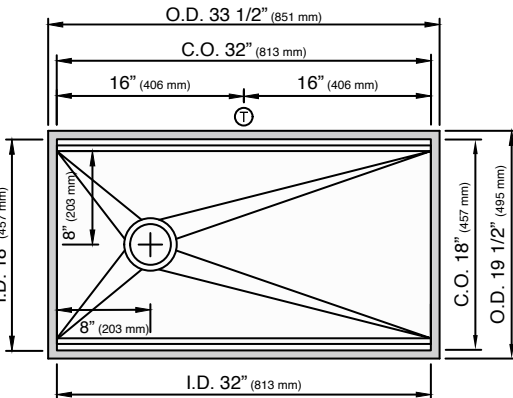
IWS-30-S-2



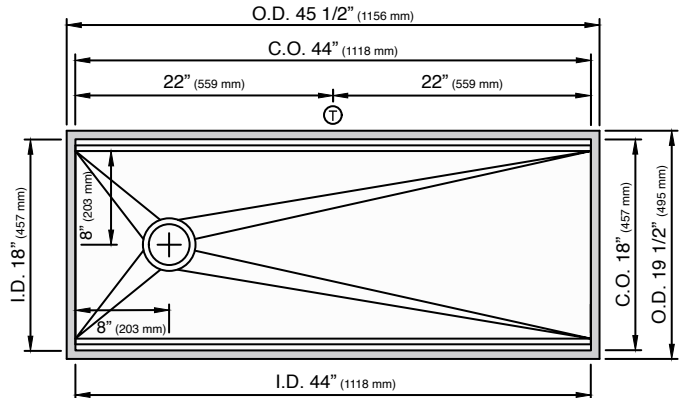
IWS-5-S-2



IWS-3-S-2



IWS-4-S-2



## SUGGESTED GALLEY TAP PLACEMENT GUIDE

Suggested maximum inside corner radius of countertop cutout 3/8"

⊕ Galley Tap 1 3/8" minimum to 1 1/2" maximum hole diameter

Center Tap hole diameters 2" behind cutout

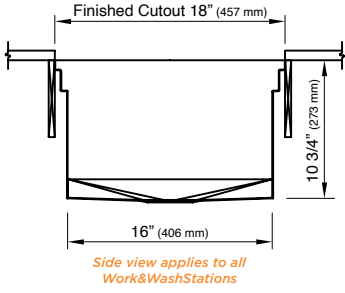
Note: Galley Hot & Cold Tap requires a minimum 8" clearance to center if installed to the right of the Galley Tap

Note: Tap Placements are for right hand or left hand drain orientation

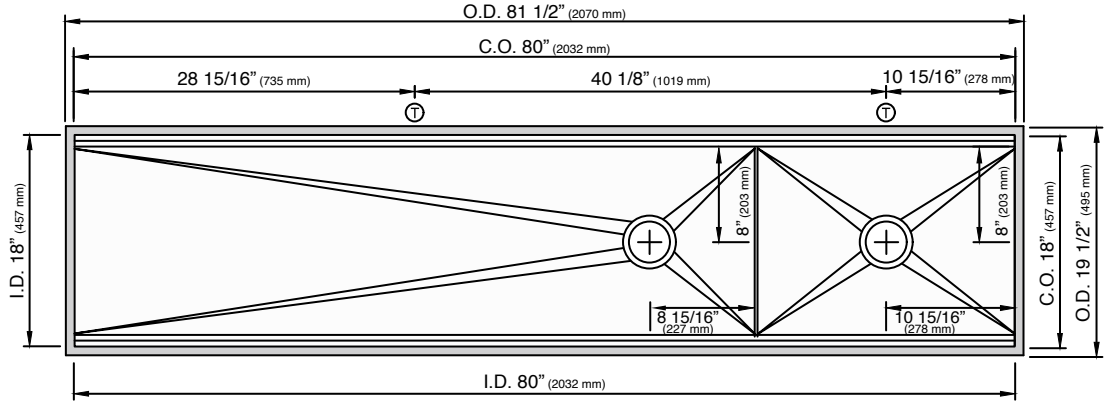
Call 800.375.4255 or email [customercare@thegalley.com](mailto:customercare@thegalley.com) for additional guidance on Tap and Tap Accessory placements

# Work&WashStations<sup>2</sup>

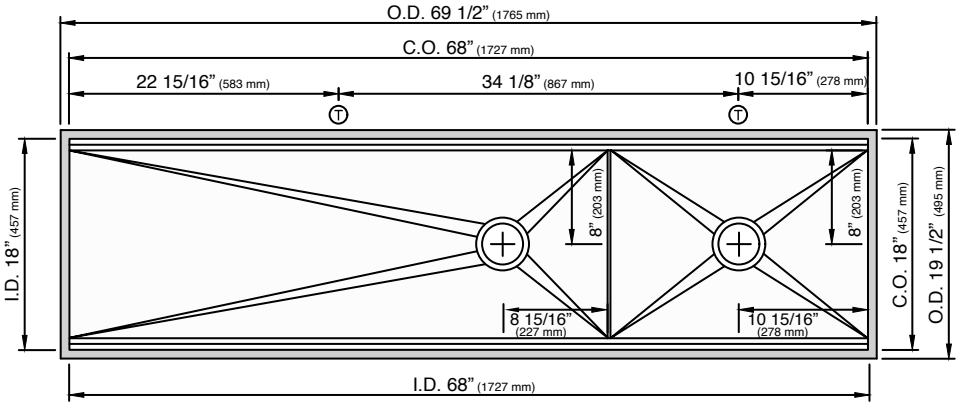
Right Hand Drain Orientation



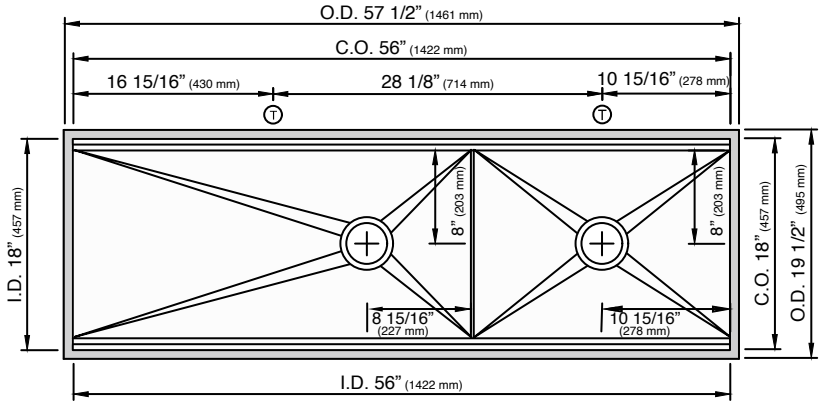
IWW-7-D-2



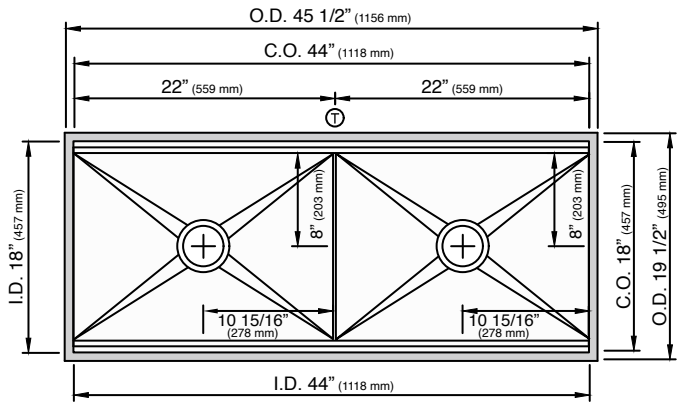
IWW-6-D-2



IWW-5-D-2



IWW-4-D-2



## SUGGESTED GALLEY TAP PLACEMENT GUIDE

Suggested maximum inside corner radius of countertop cutout 3/8"

Ⓣ Galley Tap 1 3/8" minimum to 1 1/2" maximum hole diameter

Center Tap hole diameters 2" behind cutout

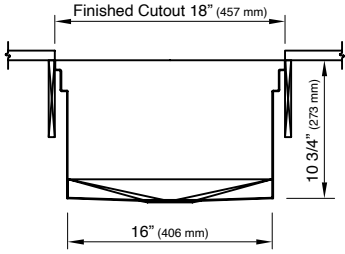
Note: Galley Hot & Cold Tap requires a minimum 8" clearance to center if installed to the right of the Galley Tap

Note: Tap Placements are for right hand or left hand drain orientation

Call 800.375.4255 or email [customer@thegalley.com](mailto:customer@thegalley.com) for additional guidance on Tap and Tap Accessory placements

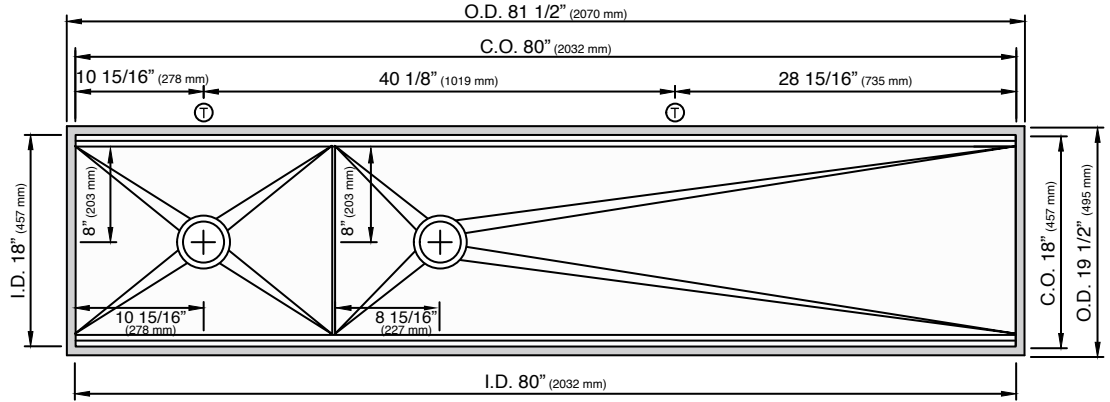
# Work&WashStations<sup>2</sup>

Left Hand Drain Orientation

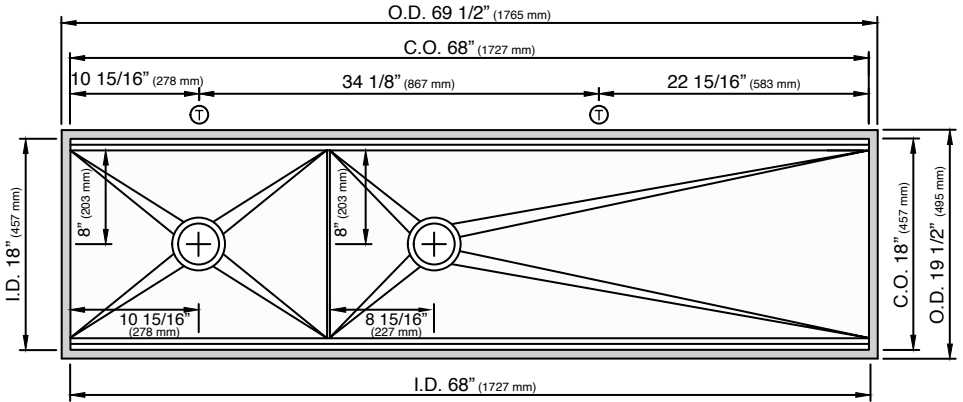


Side view applies to all Work&WashStations

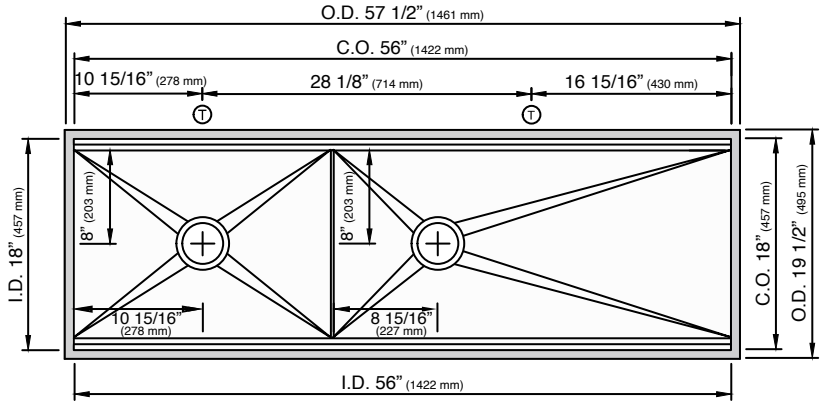
IWW-7-D-2



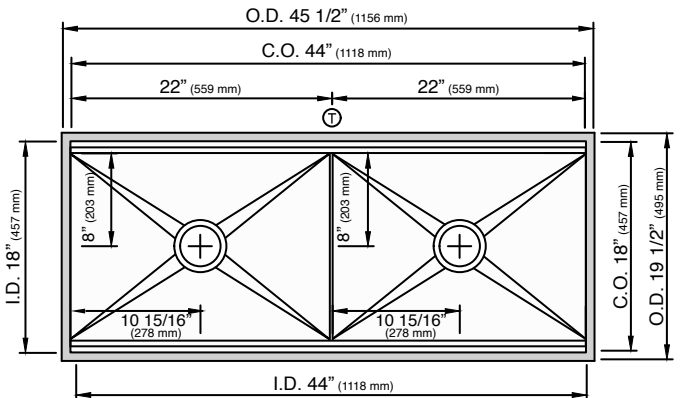
IWW-6-D-2



IWW-5-D-2



IWW-4-D-2



## SUGGESTED GALLEY TAP PLACEMENT GUIDE

Suggested maximum inside corner radius of countertop cutout 3/8"

Ⓜ Galley Tap 1 3/8" minimum to 1 1/2" maximum hole diameter

Center Tap hole diameters 2" behind cutout

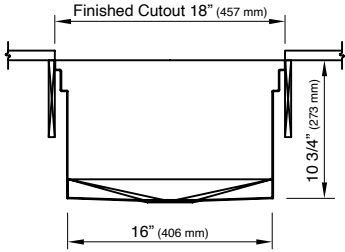
Note: Galley Hot & Cold Tap requires a minimum 8" clearance to center if installed to the right of the Galley Tap

Note: Tap Placements are for right hand or left hand drain orientation

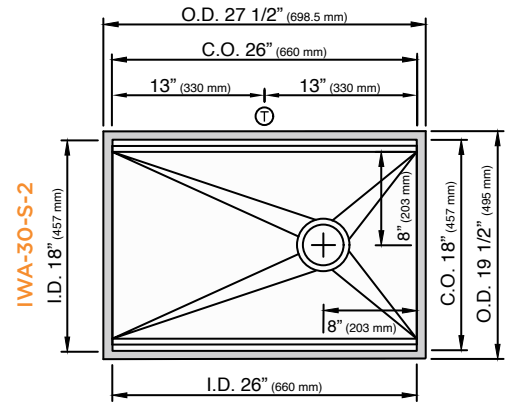
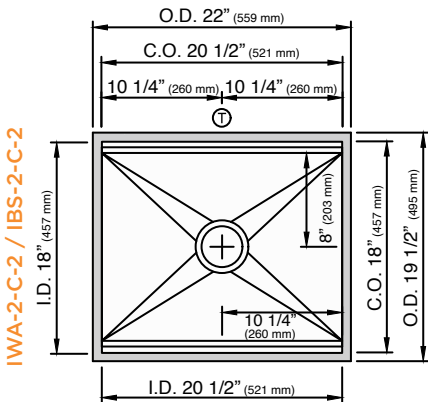
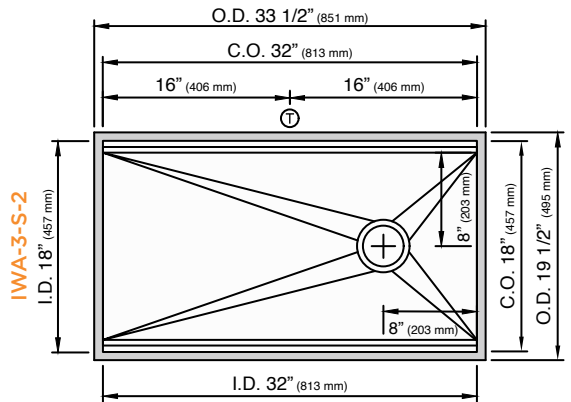
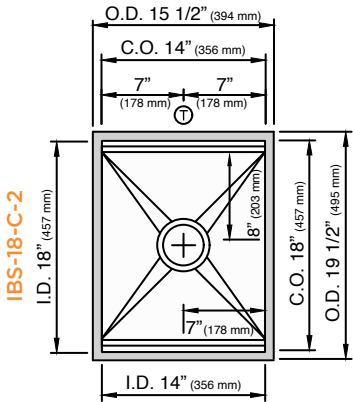
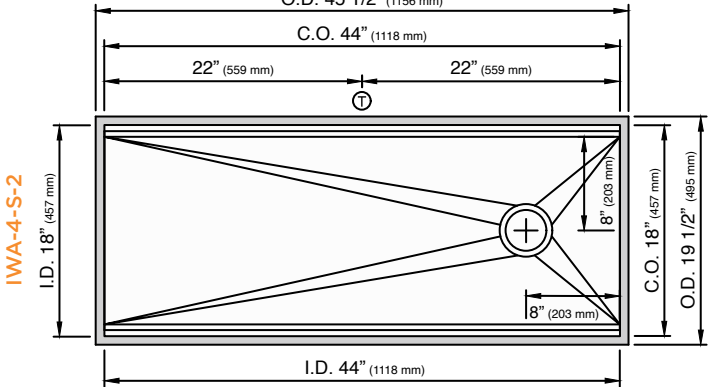
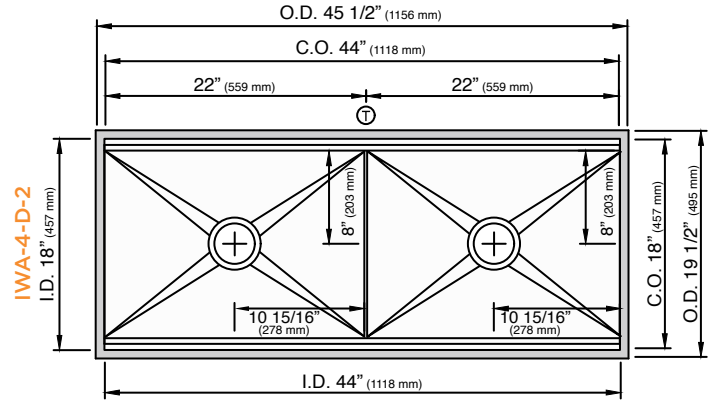
Call 800.375.4255 or email [customer@thegalley.com](mailto:customer@thegalley.com) for additional guidance on Tap and Tap Accessory placements

# BarStations<sup>2</sup> and WashStations<sup>2</sup>

Right Hand Drain Orientation



Side view applies to all BarStations and WashStations



## SUGGESTED GALLEY TAP PLACEMENT GUIDE

Suggested maximum inside corner radius of countertop cutout 3/8"

Ⓢ Galley Tap 1 3/8" minimum to 1 1/2" maximum hole diameter

Center Tap hole diameters 2" behind cutout

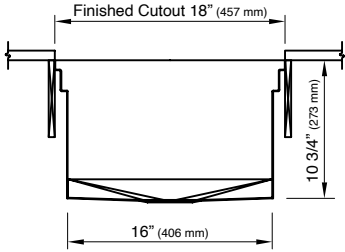
Note: Galley Hot & Cold Tap requires a minimum 8" clearance to center if installed to the right of the Galley Tap

Note: Tap Placements are for right hand or left hand drain orientation

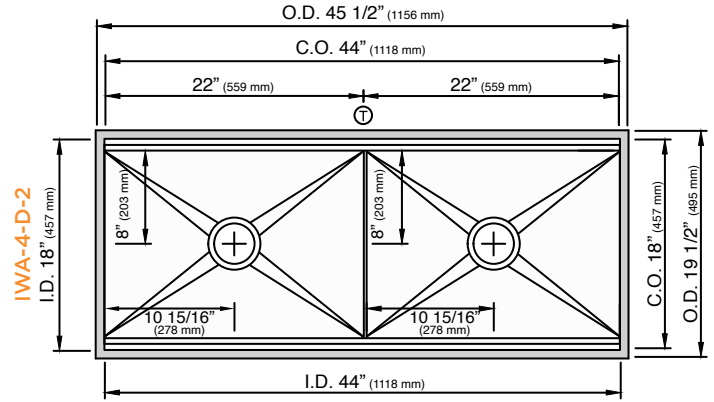
Call 800.375.4255 or email [customercare@thegalley.com](mailto:customercare@thegalley.com) for additional guidance on Tap and Tap Accessory placements

# BarStations<sup>2</sup> and WashStations<sup>2</sup>

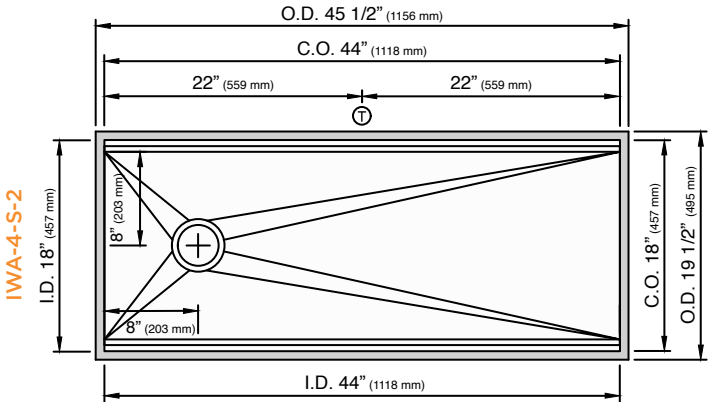
Left Hand Drain Orientation



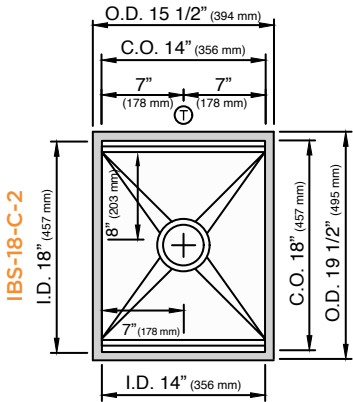
Side view applies to all BarStations and WashStations



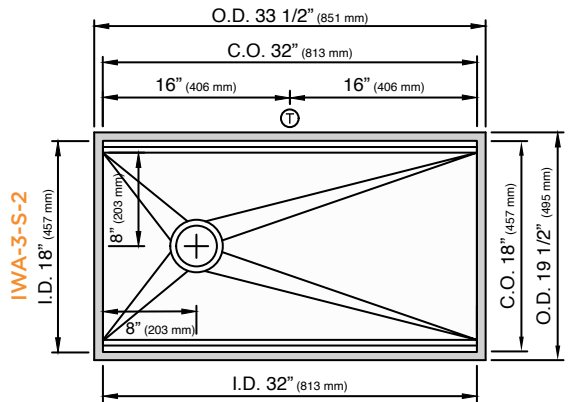
IWA-4-D-2



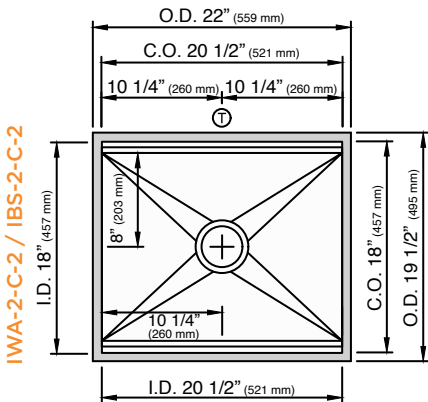
IWA-4-S-2



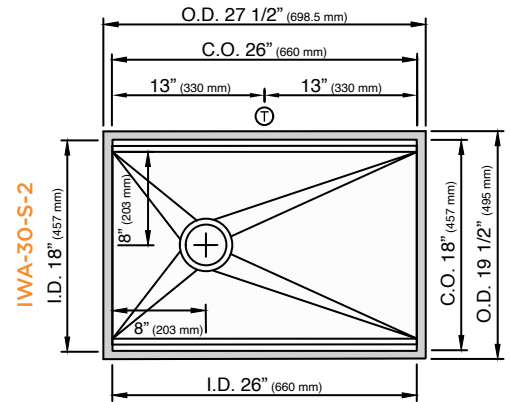
IBS-18-C-2



IWA-3-S-2



IWA-2-C-2 / IBS-2-C-2



IWA-30-S-2

## SUGGESTED GALLEY TAP PLACEMENT GUIDE

Suggested maximum inside corner radius of countertop cutout 3/8"

Ⓢ Galley Tap 1 3/8" minimum to 1 1/2" maximum hole diameter

Center Tap hole diameters 2" behind cutout

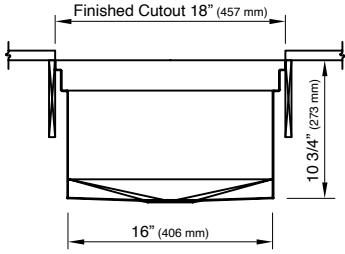
Note: Galley Hot & Cold Tap requires a minimum 8" clearance to center if installed to the right of the Galley Tap

Note: Tap Placements are for right hand or left hand drain orientation

Call 800.375.4255 or email [customer@thegalley.com](mailto:customer@thegalley.com) for additional guidance on Tap and Tap Accessory placements

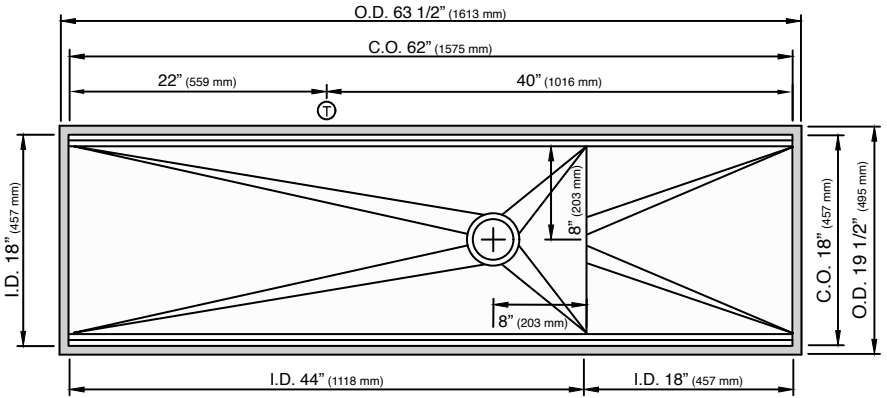
# Workstations<sup>2</sup>/WashStations<sup>2</sup> + DryDock<sup>®</sup>

Right Hand Drain Orientation

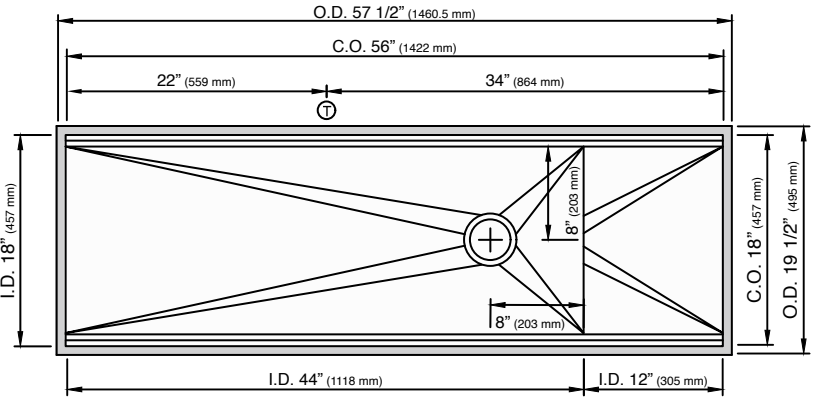


Side view applies to all DryDock Workstations

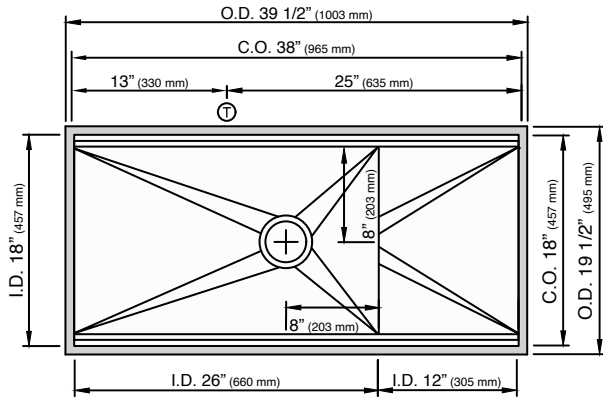
IWS-4-S-DD-18-2  
IWA-4-S-DD-18-2



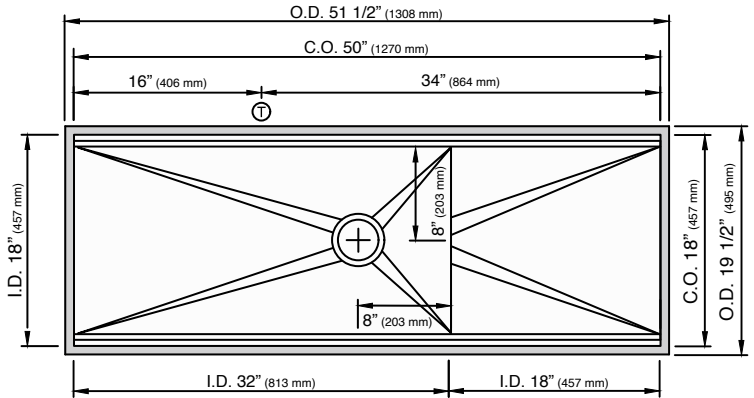
IWS-4-S-DD-12-2  
IWA-4-S-DD-12-2



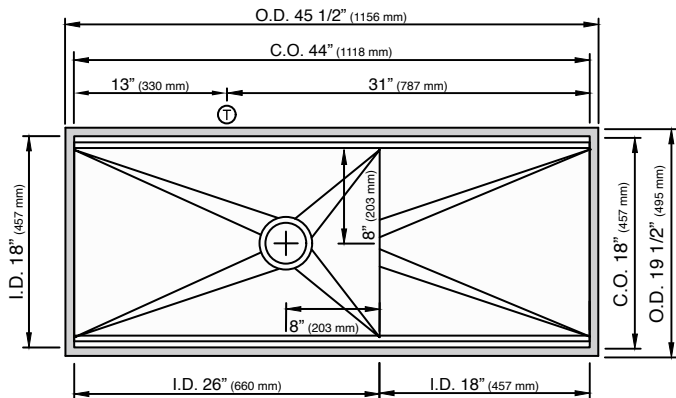
IWS-30-S-DD-12-2  
IWA-30-S-DD-12-2



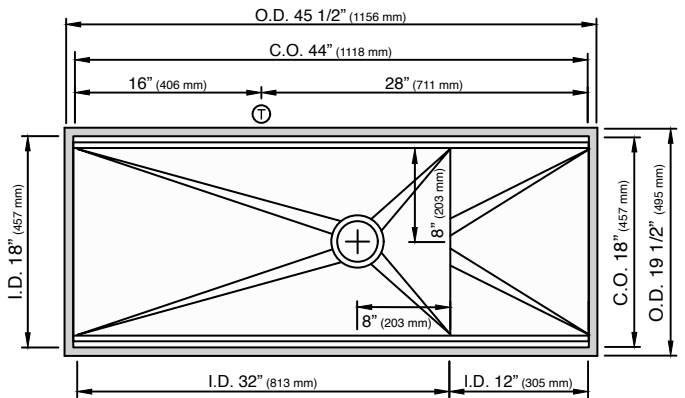
IWS-3-S-DD-18-2  
IWA-3-S-DD-18-2



IWS-30-S-DD-18-2  
IWA-30-S-DD-18-2



IWS-3-S-DD-12-2  
IWA-3-S-DD-12-2



## SUGGESTED GALLEY TAP PLACEMENT GUIDE

Suggested maximum inside corner radius of countertop cutout 3/8"

Ⓢ Galley Tap 1 3/8" minimum to 1 1/2" maximum hole diameter

Center Tap hole diameters 2" behind cutout

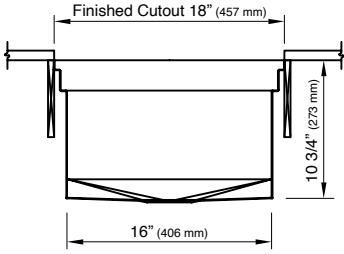
Note: Galley Hot & Cold Tap requires a minimum 8" clearance to center if installed to the right of the Galley Tap

Note: Tap Placements are for right hand or left hand drain orientation

Call 800.375.4255 or email [customercare@thegalley.com](mailto:customercare@thegalley.com) for additional guidance on Tap and Tap Accessory placements

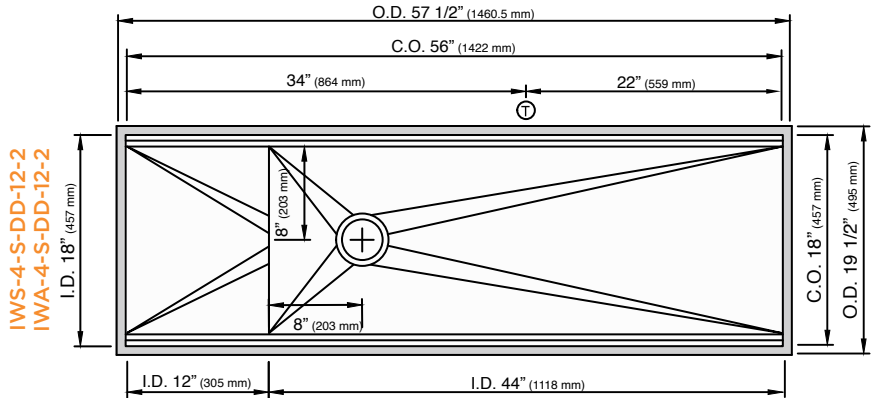
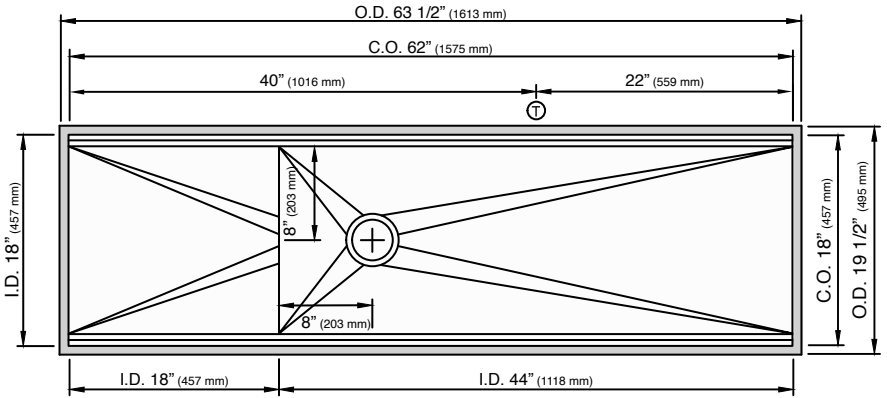
# Workstations<sup>2</sup>/WashStations<sup>2</sup> + DryDock<sup>®</sup>

Left Hand Drain Orientation

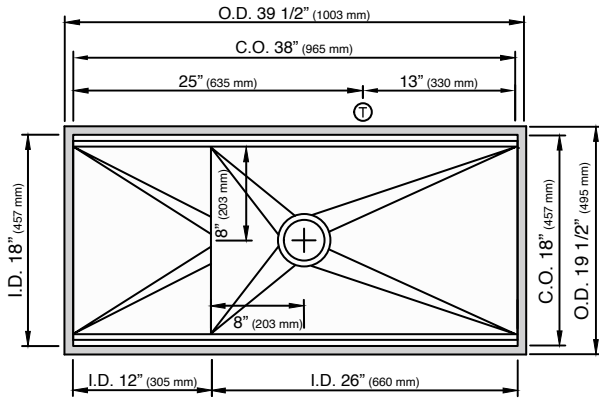


Side view applies to all DryDock Workstations

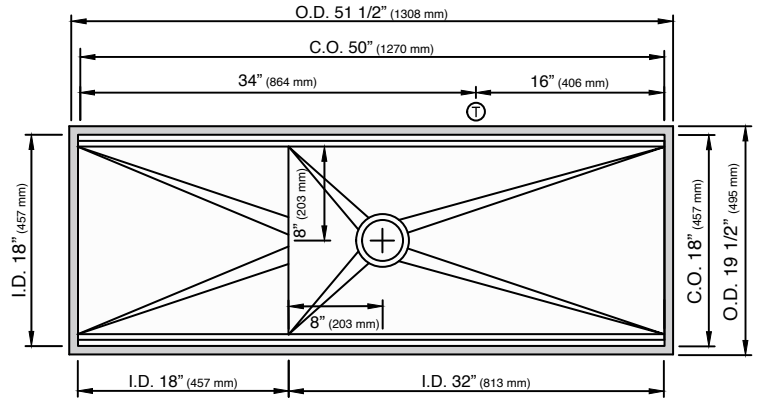
IWS-4-S-DD-18-2  
IWA-4-S-DD-18-2



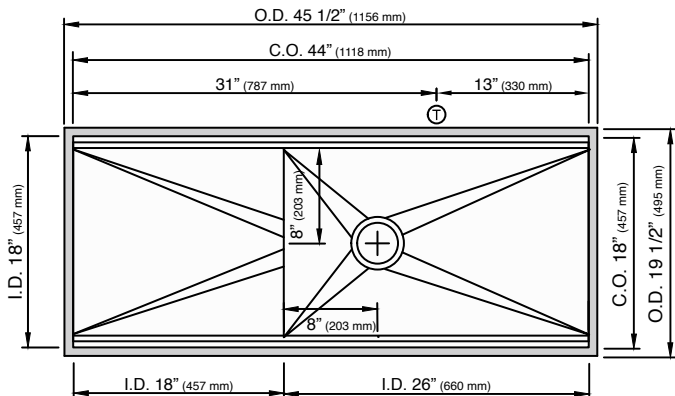
IWS-30-S-DD-12-2  
IWA-30-S-DD-12-2



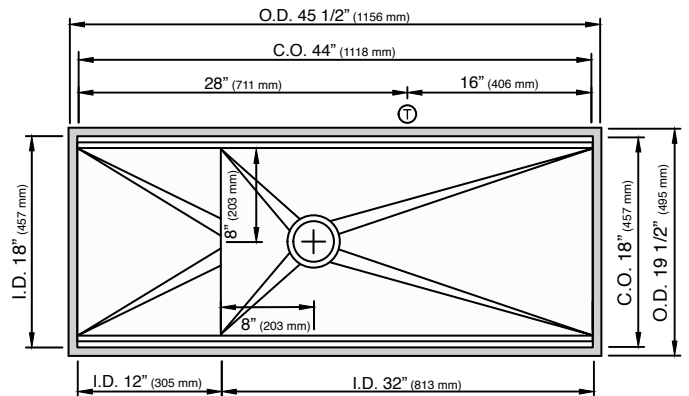
IWS-3-S-DD-18-2  
IWA-3-S-DD-18-2



IWS-30-S-DD-18-2  
IWA-30-S-DD-18-2



IWS-3-S-DD-12-2  
IWA-3-S-DD-12-2



## SUGGESTED GALLEY TAP PLACEMENT GUIDE

Suggested maximum inside corner radius of countertop cutout 3/8"

Ⓢ Galley Tap 1 3/8" minimum to 1 1/2" maximum hole diameter

Center Tap hole diameters 2" behind cutout

Note: Galley Hot & Cold Tap requires a minimum 8" clearance to center if installed to the right of the Galley Tap

Note: Tap Placements are for right hand or left hand drain orientation

Call 800.375.4255 or email [customercare@thegalley.com](mailto:customercare@thegalley.com) for additional guidance on Tap and Tap Accessory placements

# IMPORTANT

1. Please note: Unlike typical undermount kitchen sink installations, The Galley Workstation is installed in the cabinet prior to the counter being templated. **A wood support frame will need to be constructed and mounted inside the base cabinet(s) and recessed down 1/16" from the top of the cabinet(s).**

2. Leave the installation instructions tray affixed to The Galley Basin until the countertop has been templated, and leave the basin braces affixed to the Basin's tiers until the countertop has been installed and silicone has cured for a minimum of one hour.

3. The Workstation and Tap require a minimum of 22 1/2" inside the cabinet. For 24" deep inset cabinets installed against a wall, the cabinet must be pulled 1" away from the wall.

4. For countertops with a laminated or built-up decorative front edge, construct the wood support frame to finish 1/16" below the underside of the countertop cutout area.

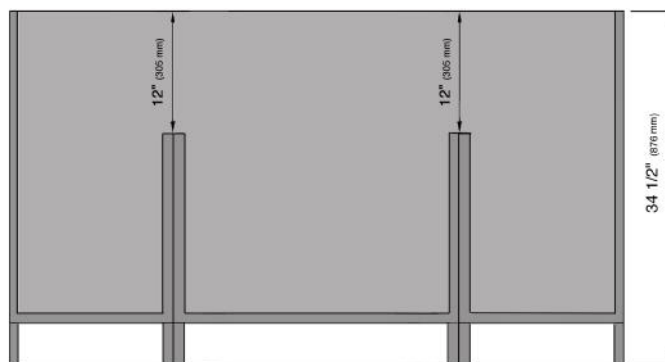
Inspect The Galley Basin for any damage prior to installation. For any questions or concerns please contact us immediately at 800.375.4255 or [customer@thegalley.com](mailto:customer@thegalley.com).

Please refer to all local plumbing and building codes prior to installation.

## Tools



## Before You Begin



If your cabinet(s) have been built to accommodate your Galley Workstation, proceed to Step One. If you are joining two or more cabinets together to house the Galley Workstation, you will need to trim the bulkheads to create an 12" clearance for the Basin.

## 1. CONSTRUCT SUPPORT STRUCTURE

a) A wood support frame (cleat system) will need to be built and installed into the cabinet(s). This frame will support the weight of The Galley Workstation.

**NOTE:** Clips are NOT to be used.

b) Construct the support frame so that the inside dimensions of the frame are 1/4" larger than the Basin's inside width and length dimensions. Please refer to pages 1-8 for your Galley dimensions.

**NOTE:** For a Galley Workstation + DryDock., the support frame must be built with 3/4" x 3" boards so that there is no interference with any undercounter appliances.

## 2. ATTACH THE SUPPORT FRAME TO THE INTERIOR WALLS OF THE CABINET

### \*\*IMPORTANT\*\*

Place the support frame into the cabinet flush with the front of the cabinet. This will ensure that there is the minimum 2-3/4" plumbing space from the back of the frame to the cabinet wall needed.

The support frame must be installed 1/16" lower than the top of the cabinet.

**NOTE:** Use a level to ensure that the support frame is installed level in the cabinet. Once installed, the top of the Basin Flanges will be flush with the top of the cabinet.

Attach the support frame to the interior walls of the cabinet.

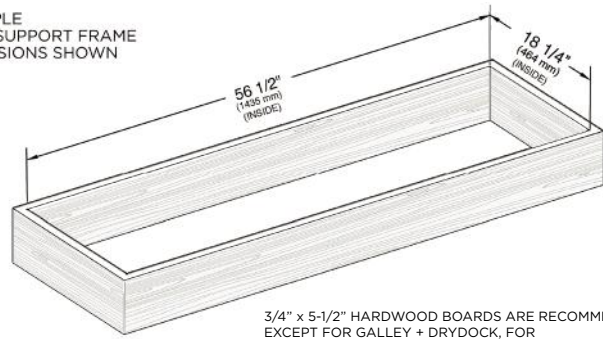
## 3. INSTALL THE WORKSTATION BASIN

a) Carefully place The Galley Basin into the cabinet by resting the flanges on the support frame. All four flanges should rest on the support frame.

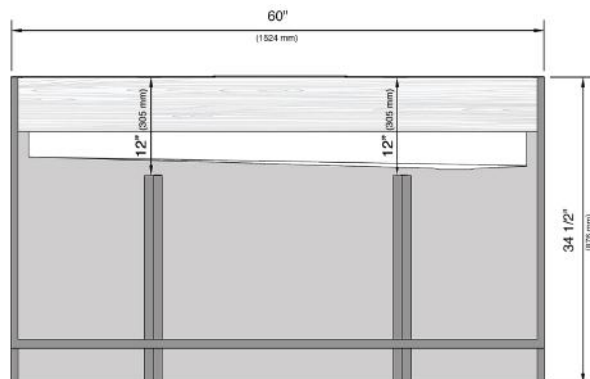
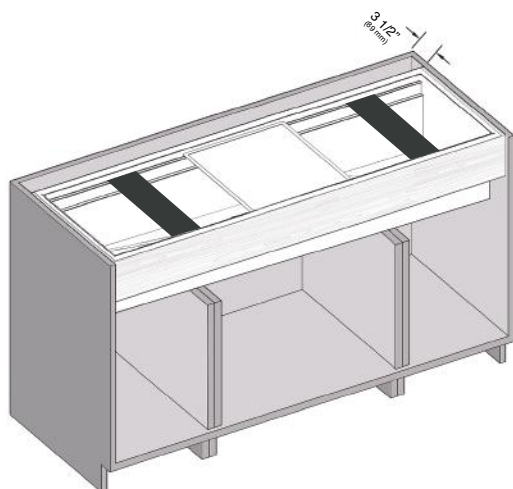
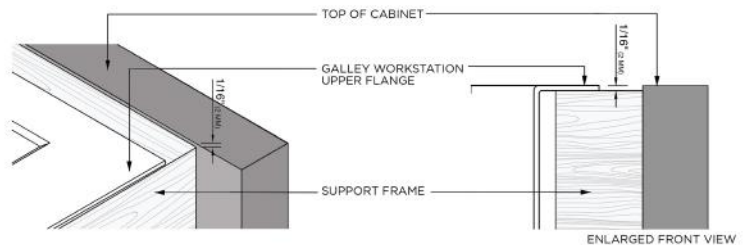
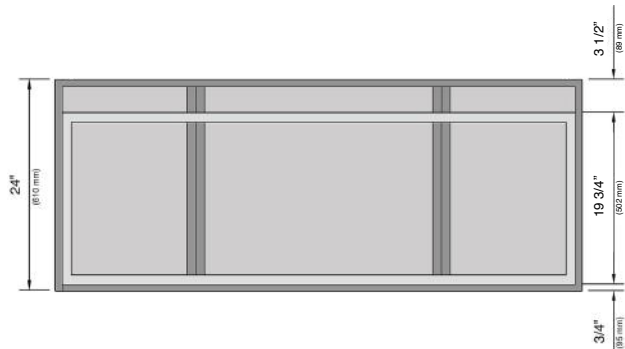
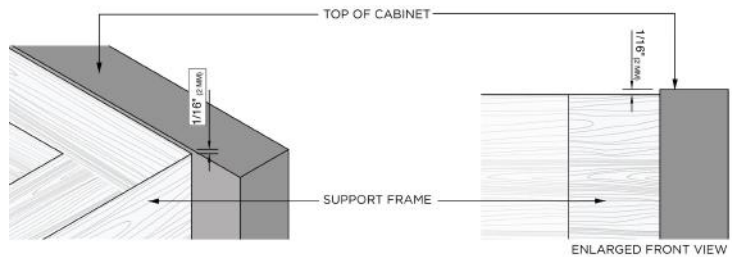
b) Use a level to ensure that the flanges are level. The top of the flanges should be flush with the top of the cabinet.

c) Position the Basin so that it is perfectly square within the cabinet.

EXAMPLE  
IWS 5 SUPPORT FRAME  
DIMENSIONS SHOWN



3/4" x 5-1/2" HARDWOOD BOARDS ARE RECOMMENDED EXCEPT FOR GALLEY + DRYDOCK, FOR WHICH 3/4" x 3" ARE RECOMMENDED.



**YOU ARE NOW READY  
FOR THE COUNTERTOP  
FABRICATOR**

## Countertop Installation

Use the white template tray affixed to The Galley Basin flanges as your guide for the front to back, and left to right cutout. Refer to pages 1-8 for your overall cutout dimensions or refer to the drawing on the template tray.

**NOTE:**

The suggested maximum corner radius is 3/8".

*\*Please refer to countertop manufacturer's warranted minimums\**

The front to back cutout dimension must always be cut exactly at 18" to ensure that all Culinary Tools work properly on the Basin tiers. The left to right dimension should be cut exactly to the specs outlined in pages 1-8.

**STEP 1**

Tape off the interior edge of the Basin along the perimeter of the flange. This tape will catch any excess caulking that is produced when the countertop is installed.

**STEP 2**

Apply a heavy, even bead of silicone to the Basin's exposed flange.

**STEP 3**

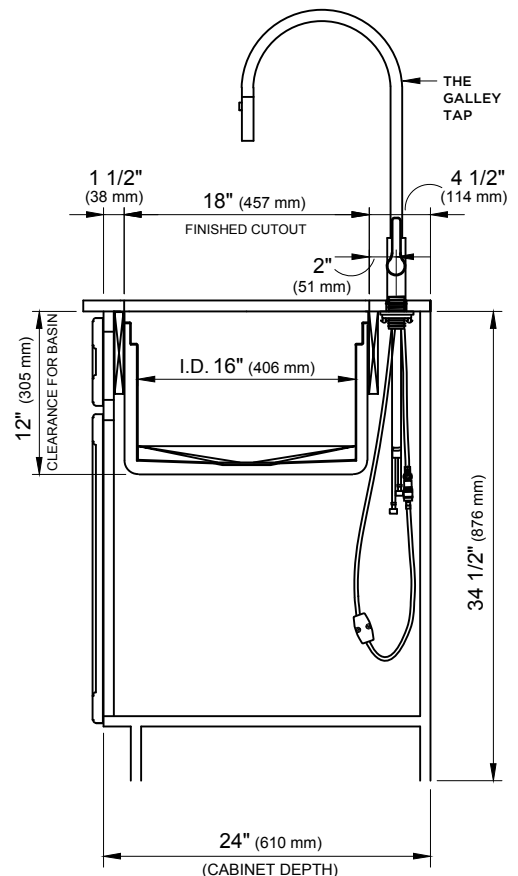
Before setting the countertop in place, make sure the Basin is perfectly square in the cabinet. Set the countertop and position it properly. The countertop cutout should be flush with all four sides of the Basin, confirmed with a zero reveal.

**STEP 4**

Once the countertop has been set and the zero reveal confirmed, remove the excess silicone that is on the taped flanges with a wet rag.

**STEP 5**

Wait approximately one hour and remove tape and Basin braces. This will leave clean and even lines of silicone along the Basin flanges.



# The Galley Workstation. Limited Lifetime Warranty

**1. GALLEY WORKSTATION LIMITED LIFETIME WARRANTY** - Seller provides a Limited Lifetime Warranty. Seller warrants its stainless steel sink, installed in a residential application, to be free from manufacturing defects in materials and workmanship under normal residential usage. This Limited Lifetime Warranty is subject to the warranty conditions and limitations as set forth below.

**2. WARRANTY CONDITIONS AND LIMITATIONS** - Seller's warranty is non-transferable and is strictly limited to products correctly installed using our installation instructions and used in a residential environment. This warranty is limited to defects or damages resulting from normal residential use and does not cover surface corrosion, (chemical or natural, including exposure to salt air, sea spray, acid rain, or environmental chemicals), scuffs or scratches, misuse, abnormal or abusive use, dents, deformations caused by the impact of any object, improper installation, care and/or maintenance, commercial use, environmental factors causing damage, shipping or freight damage, or common signs of normal wear and tear, (scratching, staining and alkaline etching of the finish over time due to use, cleaning practices or water or atmospheric conditions, are not manufacturing defects but are indicative of normal wear and tear however, these symptoms are easy to remedy). This limited warranty is null and void if the Product has been repaired, altered, or modified other than by Seller or under Seller's supervision. The Seller is not responsible for labor charges, installation or other incidental or consequential costs. In no event shall the liability of Seller exceed the purchase price of the product. If the product is installed outside of North America, Seller warrants product to be free from defects in material and workmanship for one (1) year from the date the product is installed, with all other terms of this warranty applying except duration. If the product has not been purchased from Seller or from an Authorized Dealer or Distributor of the Seller, this warranty is null and void.

**3. CULINARY TOOLS** - The Culinary Tools are not covered under warranty. If a defect is found in normal residential use, Seller will, at its election, repair, replace or make appropriate adjustment. Natural Golden Bamboo and American Black Walnut Culinary Tools should not have prolonged exposure to direct sunlight or be stored outdoors in a humid environment.

**4. CARE AND MAINTENANCE** - For care and maintenance instructions of all Galley products, please refer to the Use and Care section on [thegalley.com](http://thegalley.com).

**5. WARRANTY CLAIMS** - These warranties are in effect for Seller's Products purchased on January 1st, 2015 and thereafter. For warranty claims, please contact your Authorized Galley Dealer, or you may write to:

The Galley, LLC.  
Attn: Warranty Claims  
12626 South Memorial Drive  
Bixby, OK 74008

Please include the original receipt with a description of the problem, model number, store, date of purchase, your name, address and telephone number.





Corporate Headquarters

The Galley, LLC  
12626 South Memorial Drive  
Bixby, OK 74008  
800.375.4255  
[thegalley.com](http://thegalley.com)



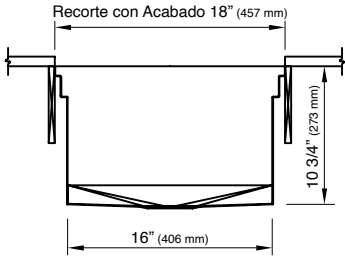
## **Guía de Instalación**

Ideal Workstations<sup>2</sup>, Work&WashStations<sup>2</sup>,  
Workstations<sup>2</sup>/WashStations<sup>2</sup> con DryDock<sup>®</sup>,  
BarStations<sup>2</sup> y WashStations<sup>2</sup>



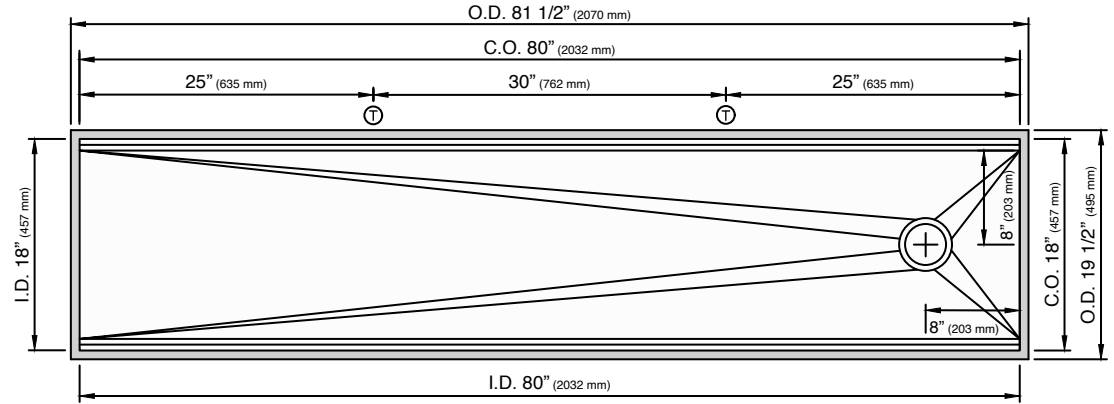
# Workstations<sup>2</sup>

Con drenaje orientado a la derecha

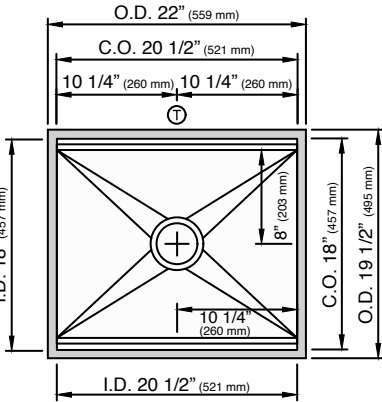


La vista lateral aplica para todas las Workstations

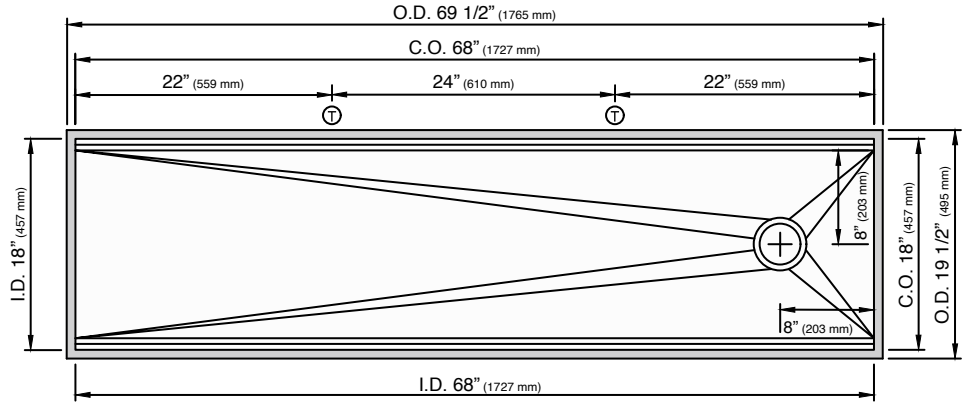
IWS-7-S-2



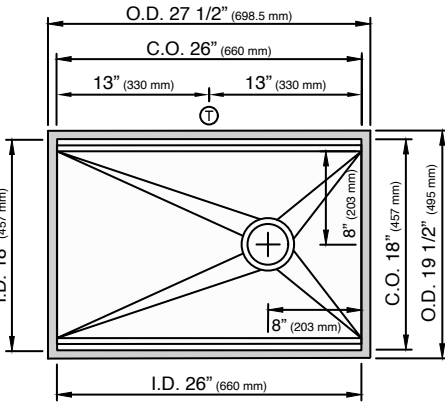
IWS-2-C-2



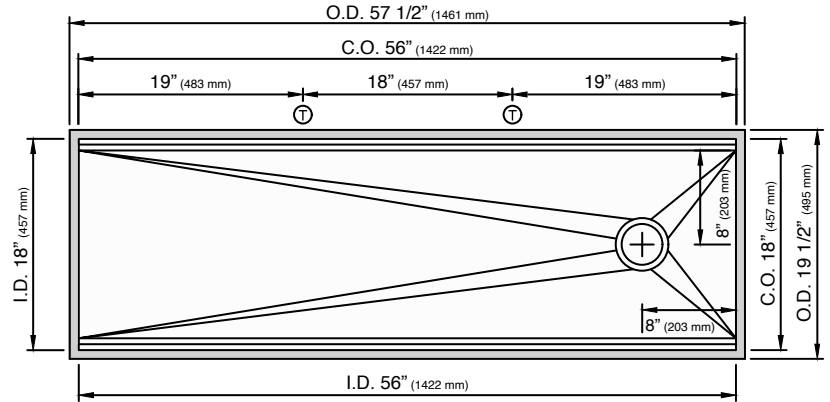
IWS-6-S-2



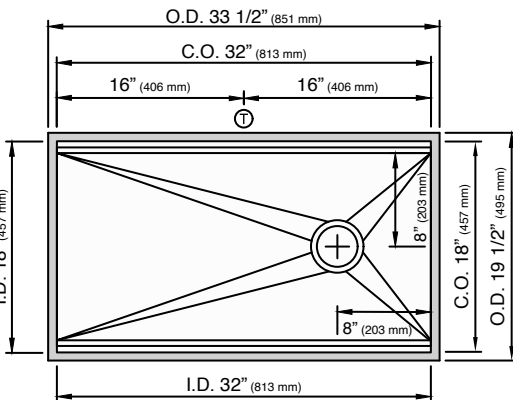
IWS-30-S-2



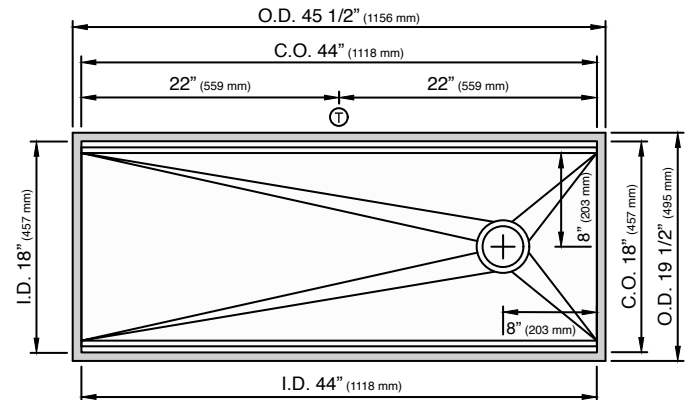
IWS-5-S-2



IWS-3-S-2



IWS-4-S-2



## GUÍA DE COLOCACIÓN SUGERIDA DEL GALLEY TAP

Radio máximo sugerido de la esquina interior del recorte del mostrador 3/8"

Ⓣ Galley Tap: Diámetro del orificio: 1 3/8" mínimo a 1 1/2" máximo

Diámetro del orificio del grifo central, 2" detrás del recorte

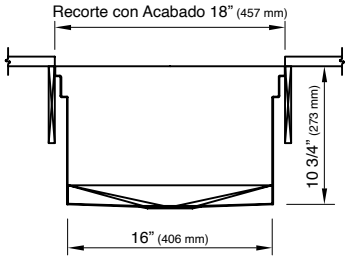
Nota: El Galley Hot & Cold Tap requiere un espacio libre mínimo de 8" al centro si se instala junto al Galley Tap

Nota: Las ubicaciones de los Tap son para la orientación del drenaje a la derecha o a la izquierda

Lláme al 800.375.4255 o escriba a [customercare@thegalley.com](mailto:customercare@thegalley.com) para obtener asesoramiento adicional sobre la colocación de Taps y accesorios de los mismos

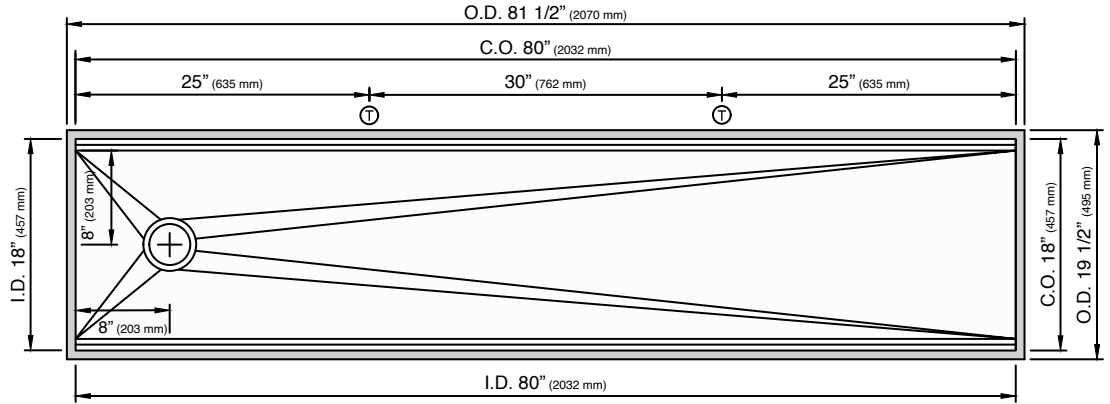
# Workstations<sup>2</sup>

Con drenaje orientado a la izquierda

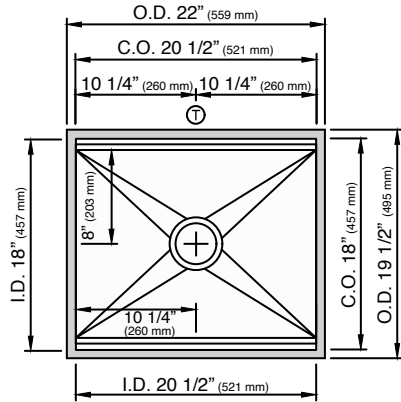


La vista lateral aplica para todas las Workstations

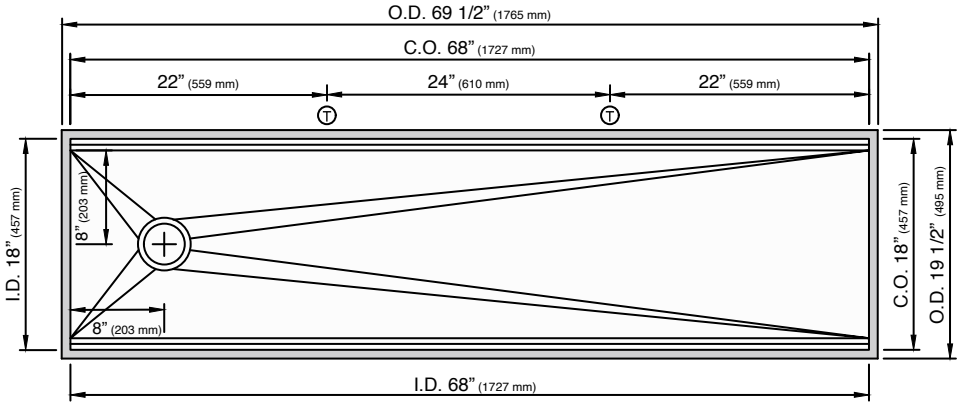
IWS-7-S-2



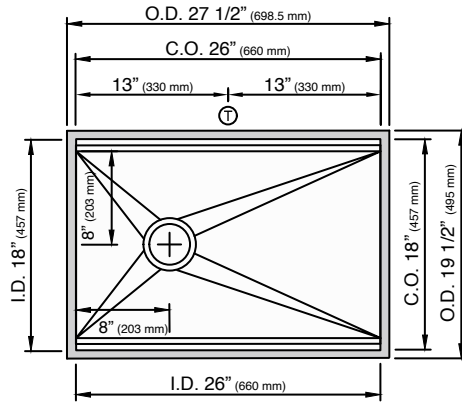
IWS-2-C-2



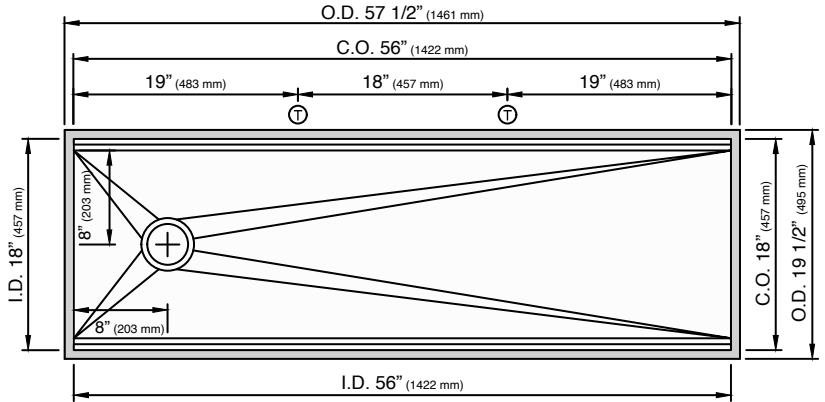
IWS-6-S-2



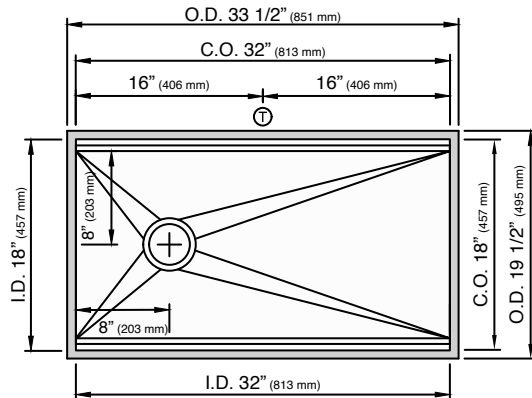
IWS-30-S-2



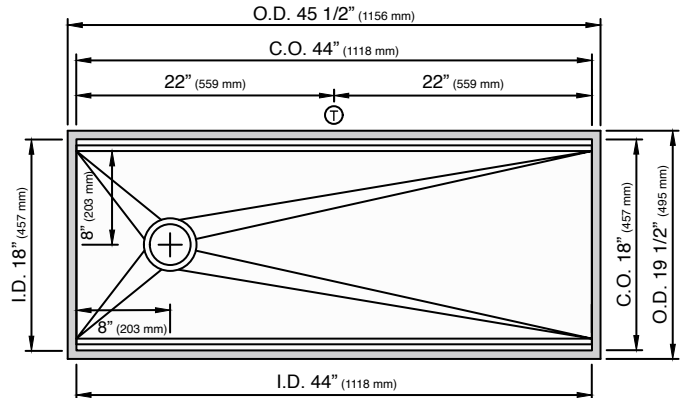
IWS-5-S-2



IWS-3-S-2



IWS-4-S-2



## GUÍA DE COLOCACIÓN SUGERIDA DEL GALLEY TAP

Radio máximo sugerido de la esquina interior del recorte del mostrador 3/8"

Ⓣ Galley Tap: Diámetro del orificio: 1 3/8" mínimo a 1 1/2" máximo

Diámetro del orificio del grifo central, 2" detrás del recorte

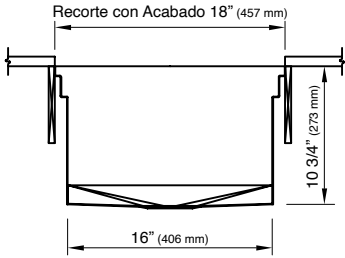
Nota: El Galley Hot & Cold Tap requiere un espacio libre mínimo de 8" al centro si se instala junto al Galley Tap

Nota: Las ubicaciones de los Tap son para la orientación del drenaje a la derecha o a la izquierda

Lláme al 800.375.4255 o escriba a [customercare@thegalley.com](mailto:customercare@thegalley.com) para obtener asesoramiento adicional sobre la colocación de Taps y accesorios de los mismos

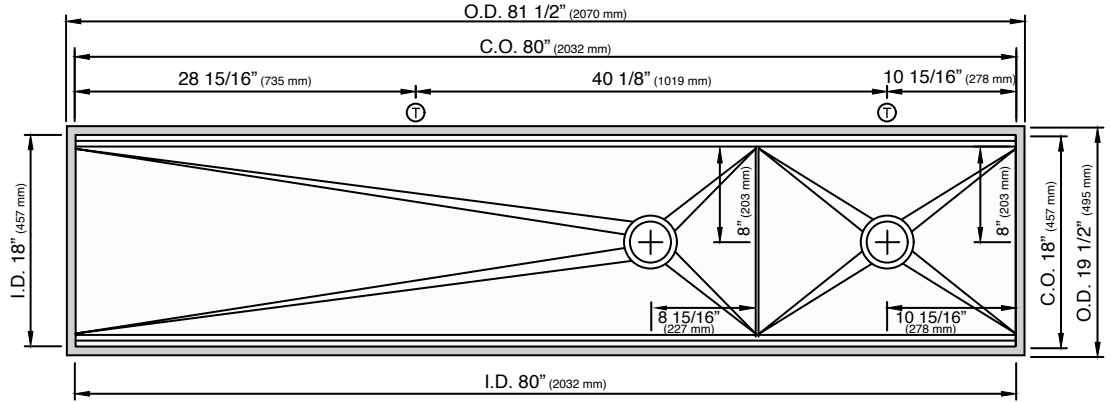
# Work&WashStations<sup>2</sup>

Con drenaje orientado a la derecha

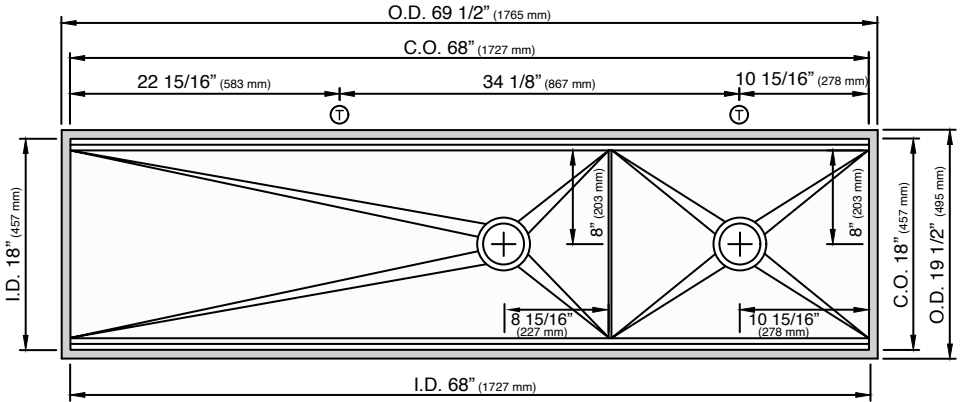


La vista lateral aplica para todas las Work&WashStations

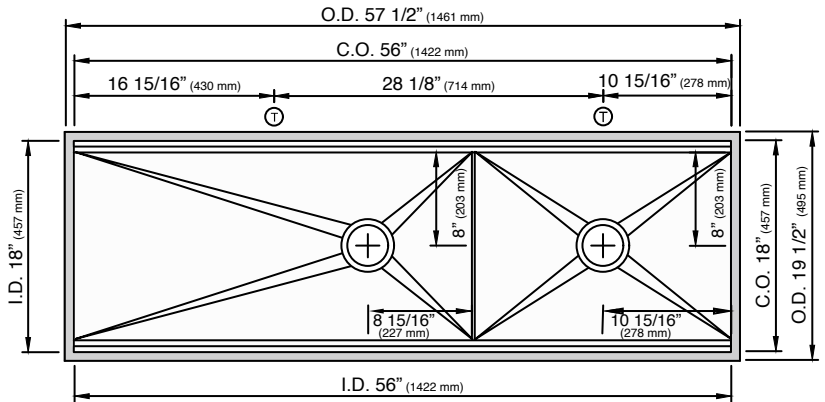
IWW-7-D-2



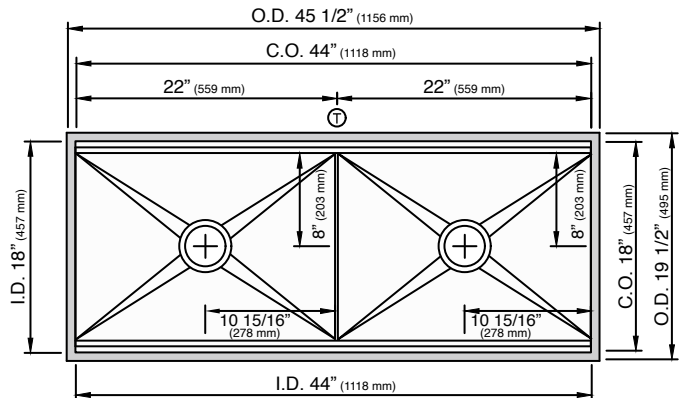
IWW-6-D-2



IWW-5-D-2



IWW-4-D-2



## GUÍA DE COLOCACIÓN SUGERIDA DEL GALLEY TAP

Radio máximo sugerido de la esquina interior del recorte del mostrador 3/8"

Ⓣ Galley Tap: Diámetro del orificio: 1 3/8" mínimo a 1 1/2" máximo

Diámetro del orificio del grifo central, 2" detrás del recorte

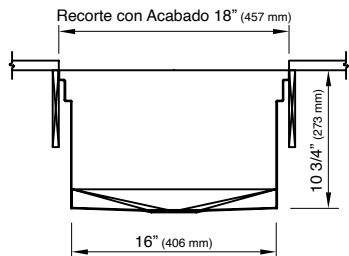
Nota: El Galley Hot & Cold Tap requiere un espacio libre mínimo de 8" al centro si se instala junto al Galley Tap

Nota: Las ubicaciones de los Tap son para la orientación del drenaje a la derecha o a la izquierda

Lláme al 800.375.4255 o escriba a [customer@thegalley.com](mailto:customer@thegalley.com) para obtener asesoramiento adicional sobre la colocación de Taps y accesorios de los mismos

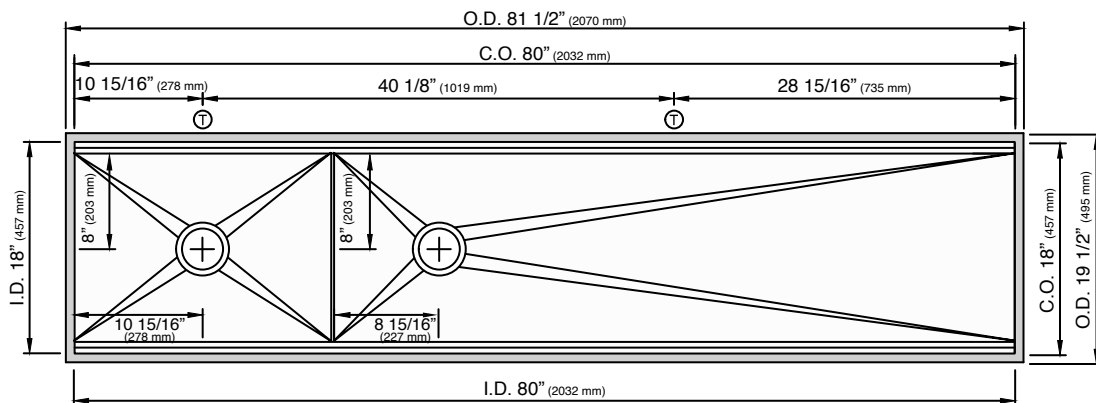
# Work&WashStations<sup>2</sup>

Con drenaje orientado a la izquierda

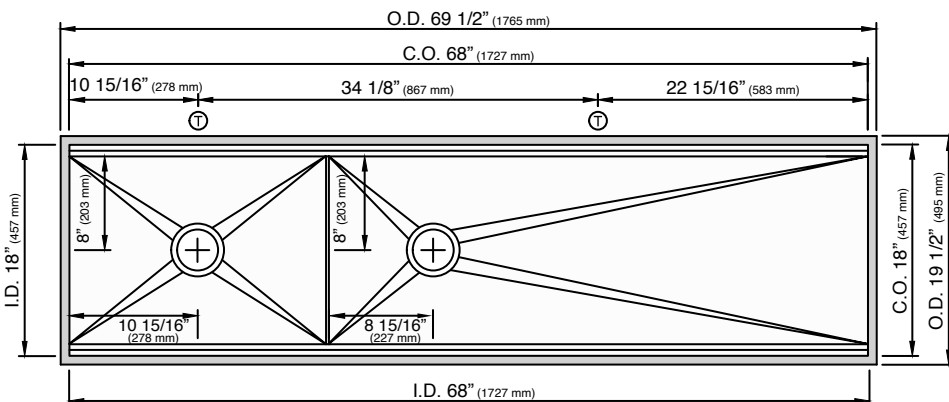


La vista lateral aplica para todas las Work&WashStations

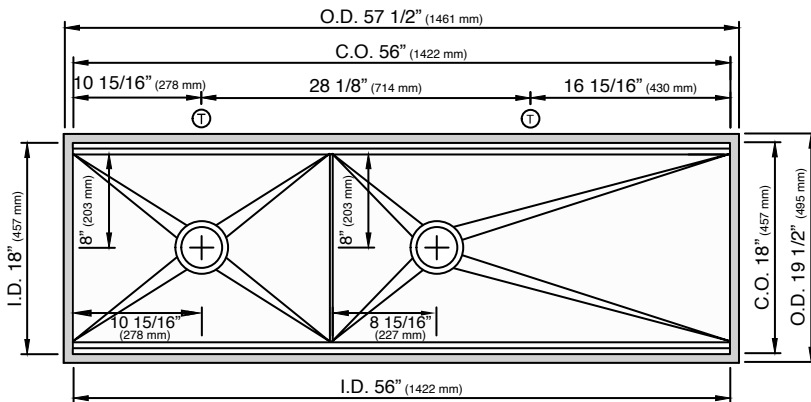
**IWW-7-D-2**



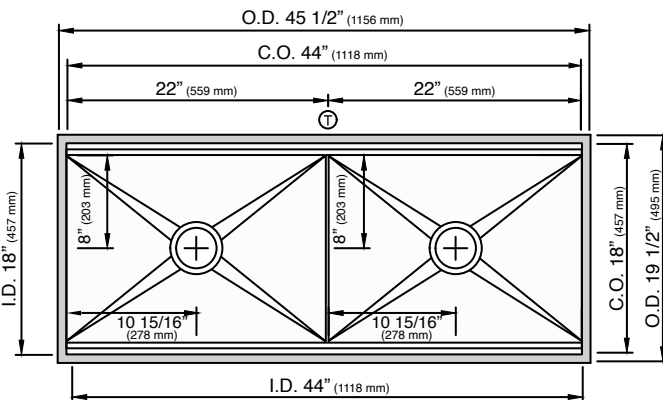
**IWW-6-D-2**



**IWW-5-D-2**



**IWW-4-D-2**



## GUÍA DE COLOCACIÓN SUGERIDA DEL GALLEY TAP

Radio máximo sugerido de la esquina interior del recorte del mostrador 3/8"

Ⓣ Galley Tap: Diámetro del orificio: 1 3/8" mínimo a 1/2" máximo

Diámetro del orificio del grifo central, 2" detrás del recorte

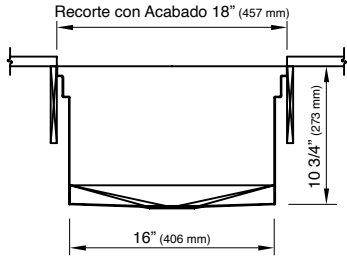
Nota: El Galley Hot & Cold Tap requiere un espacio libre mínimo de 8" al centro si se instala junto al Galley Tap

Nota: Las ubicaciones de los Tap son para la orientación del drenaje a la derecha o a la izquierda

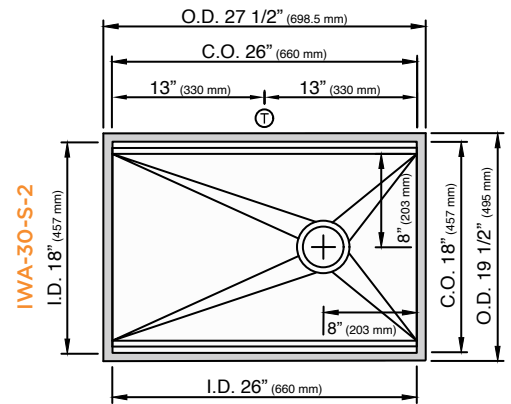
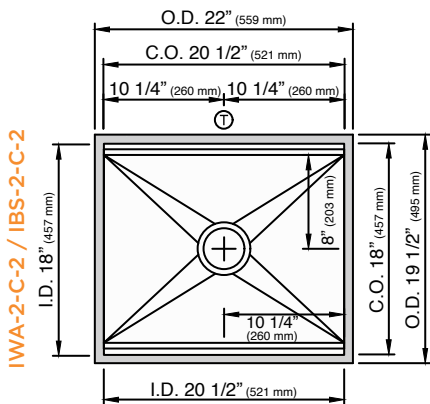
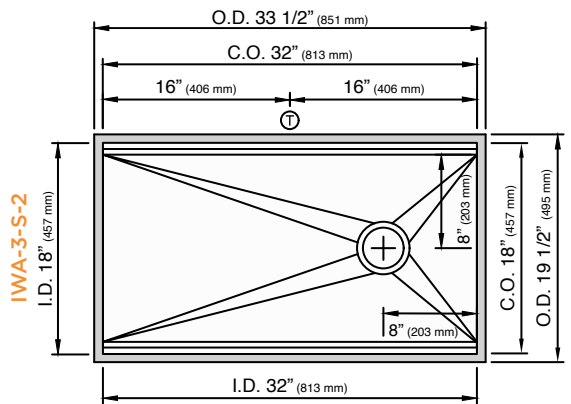
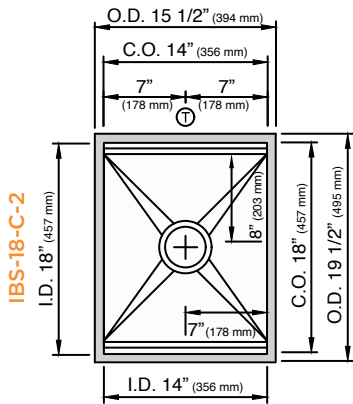
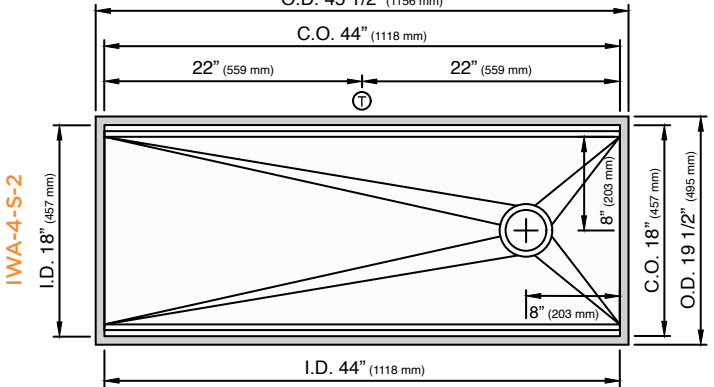
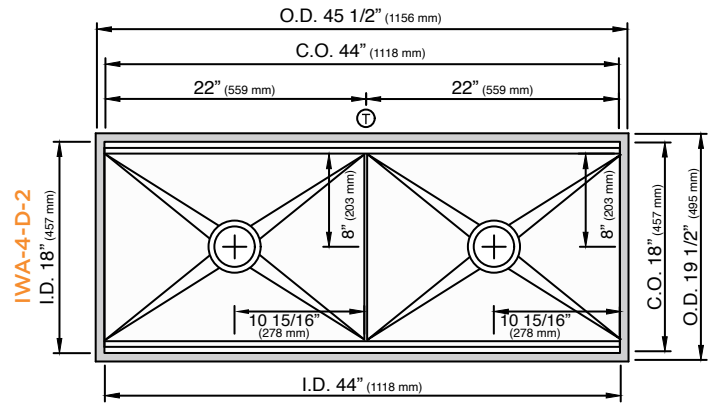
Llame al 800.375.4255 o escriba a [customer@thegalley.com](mailto:customer@thegalley.com) para obtener asesoramiento adicional sobre la colocación de Taps y accesorios de los mismos

# BarStations<sup>2</sup> y WashStations<sup>2</sup>

Con drenaje orientado a la derecha



La vista lateral aplica para todas las BarStations y WashStations



## GUÍA DE COLOCACIÓN SUGERIDA DEL GALLEY TAP

Radio máximo sugerido de la esquina interior del recorte del mostrador 3/8"

Ⓣ Galley Tap: Diámetro del orificio: 1 3/8" mínimo a 1 1/2" máximo

Diámetro del orificio del grifo central, 2" detrás del recorte

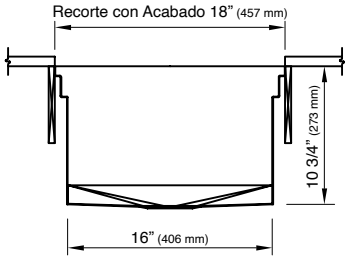
Nota: El Galley Hot & Cold Tap requiere un espacio libre mínimo de 8" al centro si se instala junto al Galley Tap

Nota: Las ubicaciones de los Tap son para la orientación del drenaje a la derecha o a la izquierda

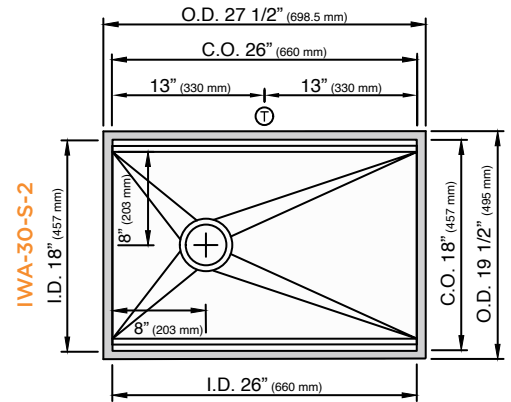
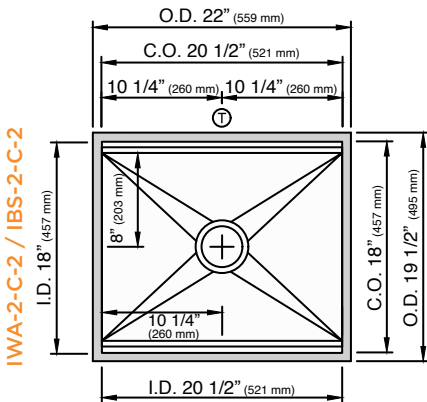
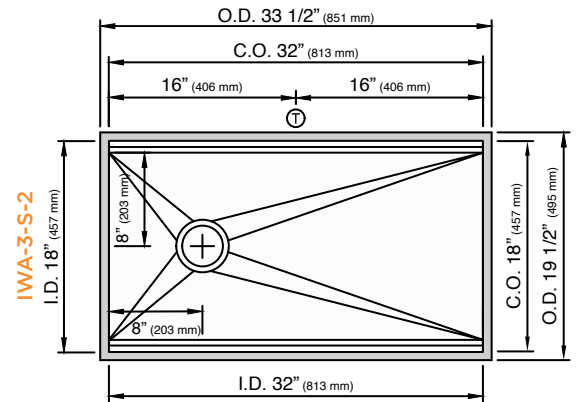
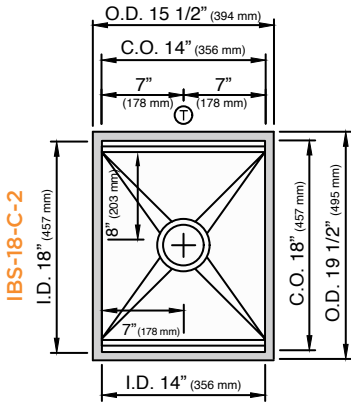
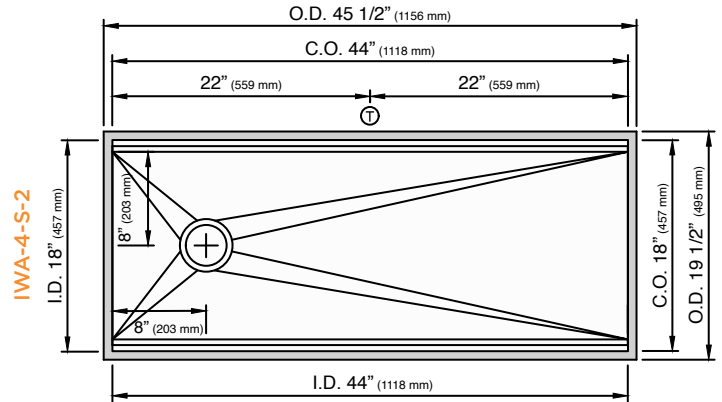
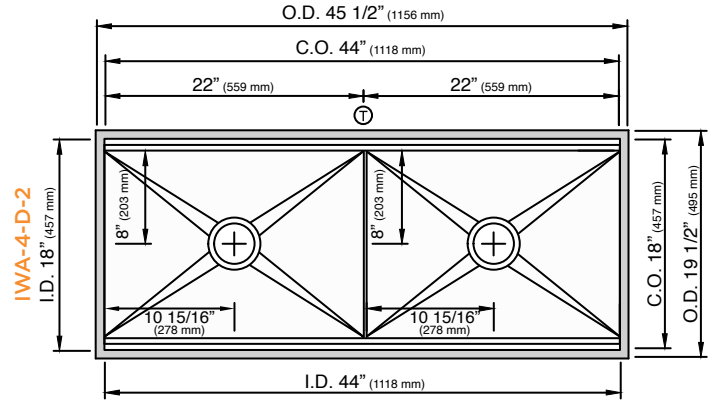
Llame al 800.375.4255 o escriba a [customer@thegalley.com](mailto:customer@thegalley.com) para obtener asesoramiento adicional sobre la colocación de Taps y accesorios de los mismos

# BarStations<sup>2</sup> y WashStations<sup>2</sup>

Con drenaje orientado a la izquierda



La vista lateral aplica para todas las BarStations y WashStations



## GUÍA DE COLOCACIÓN SUGERIDA DEL GALLEY TAP

Radio máximo sugerido de la esquina interior del recorte del mostrador 3/8"

Ⓢ Galley Tap: Diámetro del orificio: 1 3/8" mínimo a 1 1/2" máximo

Diámetro del orificio del grifo central, 2" detrás del recorte

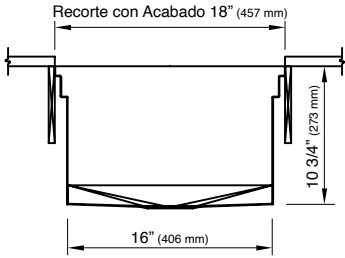
Nota: El Galley Hot & Cold Tap requiere un espacio libre mínimo de 8" al centro si se instala junto al Galley Tap

Nota: Las ubicaciones de los Tap son para la orientación del drenaje a la derecha o a la izquierda

Lláme al 800.375.4255 o escriba a [customercare@thegalley.com](mailto:customercare@thegalley.com) para obtener asesoramiento adicional sobre la colocación de Taps y accesorios de los mismos

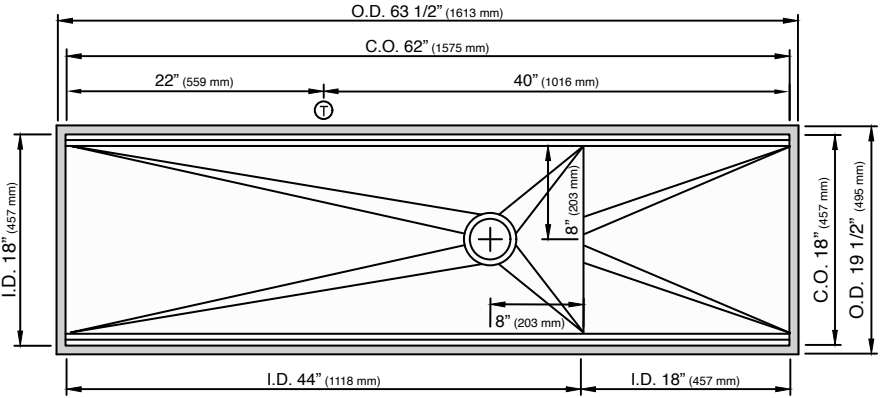
# Workstations<sup>2</sup>/WashStations<sup>2</sup> con DryDock.

Con drenaje orientado a la derecha

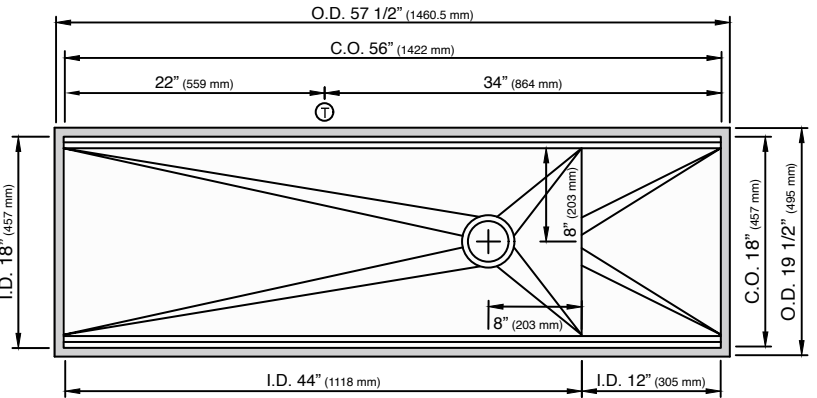


La vista lateral aplica para todas las Workstations y WashStations con DryDock

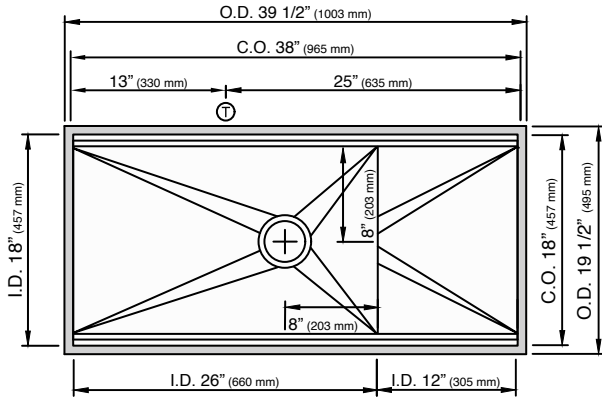
IWS-4-S-DD-18-2  
IWA-4-S-DD-18-2



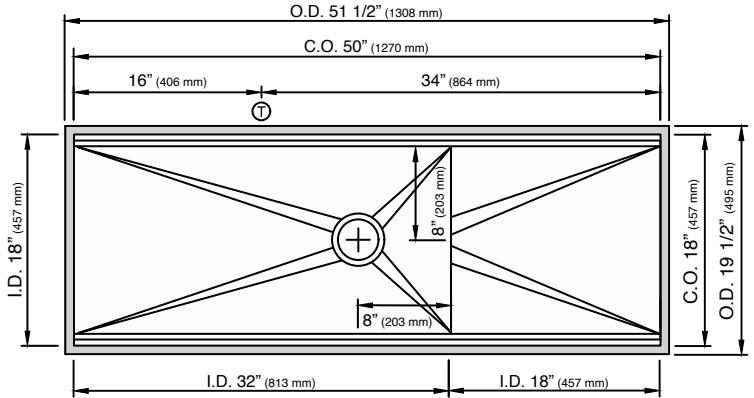
IWS-4-S-DD-12-2  
IWA-4-S-DD-12-2



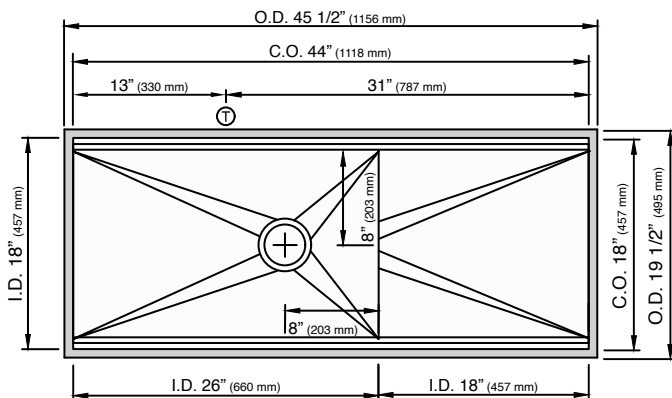
IWS-30-S-DD-12-2  
IWA-30-S-DD-12-2



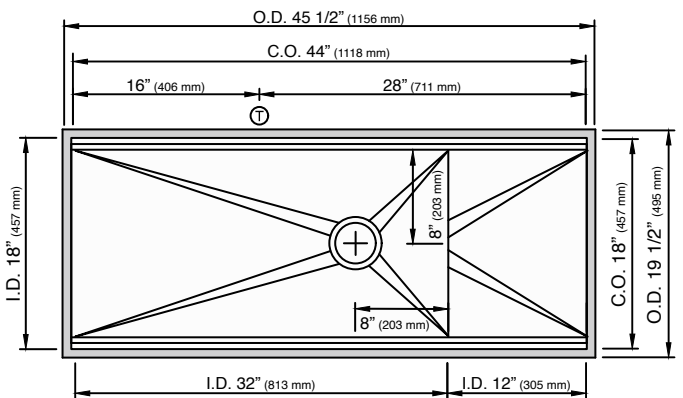
IWS-3-S-DD-18-2  
IWA-3-S-DD-18-2



IWS-30-S-DD-18-2  
IWA-30-S-DD-18-2



IWS-3-S-DD-12-2  
IWA-3-S-DD-12-2



## GUÍA DE COLOCACIÓN SUGERIDA DEL GALLEY TAP

Radio máximo sugerido de la esquina interior del recorte del mostrador 3/8"

Ⓣ Galley Tap: Diámetro del orificio: 1 3/8" mínimo a 1 1/2" máximo

Diámetro del orificio del grifo central, 2" detrás del recorte

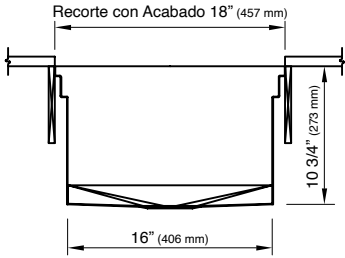
Nota: El Galley Hot & Cold Tap requiere un espacio libre mínimo de 8" al centro si se instala junto al Galley Tap

Nota: Las ubicaciones de los Tap son para la orientación del drenaje a la derecha o a la izquierda

Llame al 800.375.4255 o escriba a [customercare@thegalley.com](mailto:customercare@thegalley.com) para obtener asesoramiento adicional sobre la colocación de Taps y accesorios de los mismos

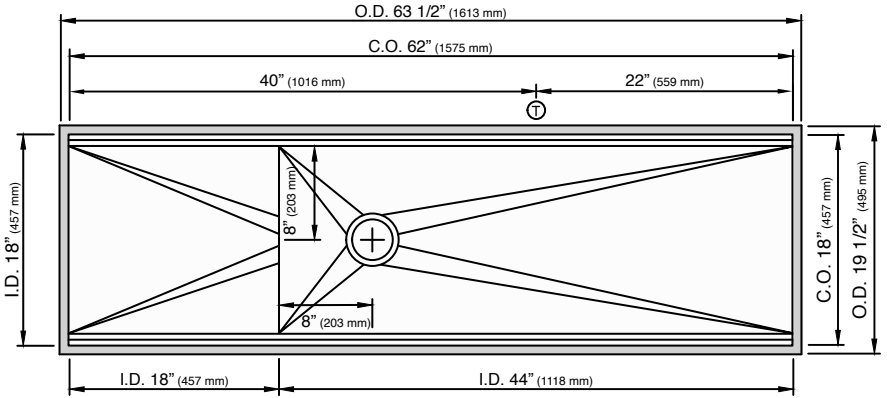
# Workstations<sup>2</sup>/WashStations<sup>2</sup> con DryDock.

Con drenaje orientado a la izquierda

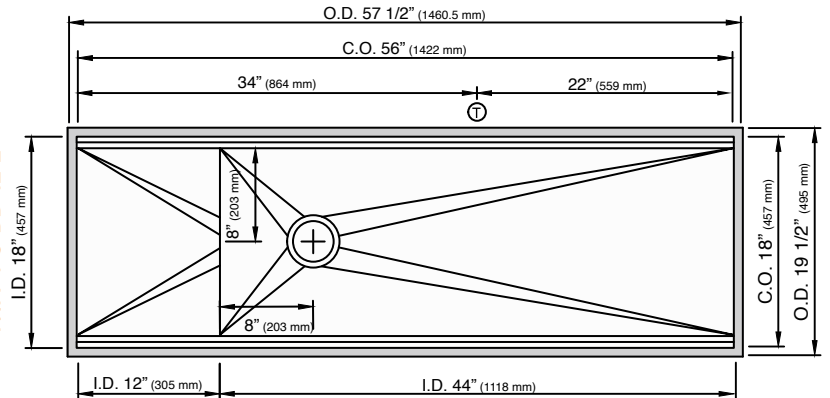


La vista lateral aplica para todas las Workstations y WashStations con DryDock

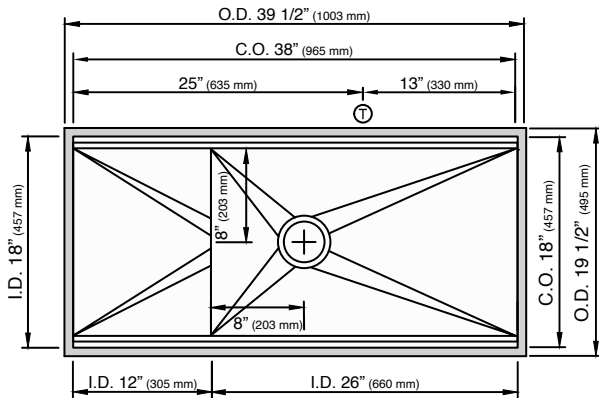
IWS-4-S-DD-18-2  
IWA-4-S-DD-18-2



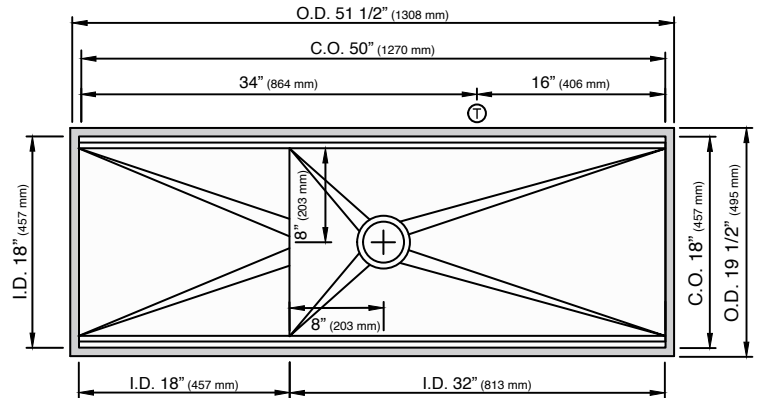
IWS-4-S-DD-12-2  
IWA-4-S-DD-12-2



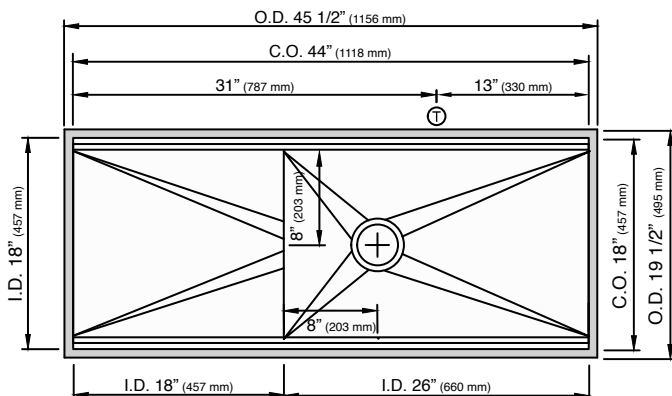
IWS-30-S-DD-12-2  
IWA-30-S-DD-12-2



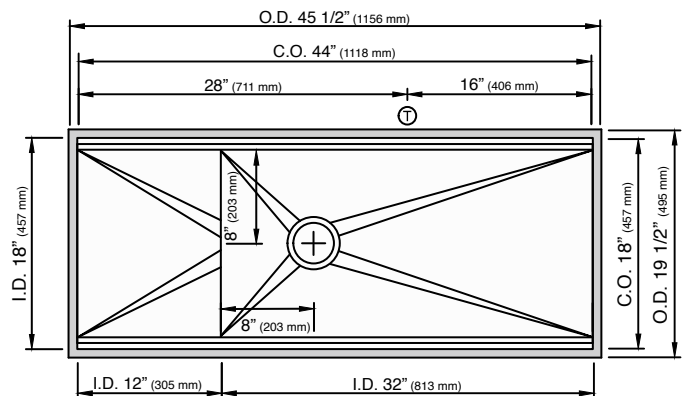
IWS-3-S-DD-18-2  
IWA-3-S-DD-18-2



IWS-30-S-DD-18-2  
IWA-30-S-DD-18-2



IWS-3-S-DD-12-2  
IWA-3-S-DD-12-2



## GUÍA DE COLOCACIÓN SUGERIDA DEL GALLEY TAP

Radio máximo sugerido de la esquina interior del recorte del mostrador 3/8"

Ⓣ Galley Tap: Diámetro del orificio: 1 3/8" mínimo a 1 1/2" máximo

Diámetro del orificio del grifo central, 2" detrás del recorte

Nota: El Galley Hot & Cold Tap requiere un espacio libre mínimo de 8" al centro si se instala junto al Galley Tap

Nota: Las ubicaciones de los Tap son para la orientación del drenaje a la derecha o a la izquierda

Lláme al 800.375.4255 o escriba a [customercare@thegalley.com](mailto:customercare@thegalley.com) para obtener asesoramiento adicional sobre la colocación de Taps y accesorios de los mismos

# IMPORTANTE

1. Nota importante: A diferencia de la típica instalación de fregaderos de cocina bajo el mostrador, la Workstation Galley es instalada en el gabinete antes de trazar la plantilla del mostrador. **Un marco de soporte de madera deberá ser construido y montado dentro del(los) gabinete(s) de base y empotrarlo 1/16" por debajo del tope del(los) gabinete(s).**

2. Deje la bandeja de instrucciones de instalación adherida a la cubeta Galley hasta que se haya trazado la plantilla del mostrador, y deje las abrazaderas de la cubeta adheridas a las escalas del lavabo hasta que se haya instalado el mostrador y la silicona se haya endurecido durante un mínimo de una hora.

3. La Workstation y el Tap necesitan un mínimo de espacio de 22 1/2" dentro del gabinete. En el caso de gabinetes empotrados de 24", instalados contra una pared, los mismos deberán estar separados por 1" de la pared.

4. Para mostradores con un borde frontal decorativo laminado o integrado, construya el marco de soporte de madera para que termine a 1/16" por debajo de la parte inferior del área de corte del mostrador.

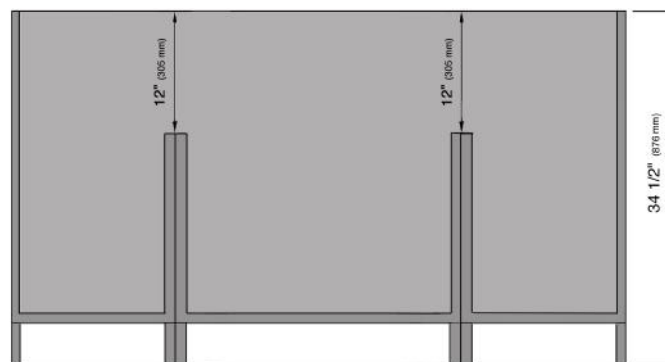
Inspeccione la cubeta The Galley en busca de cualquier daño previo a la instalación. Si tiene preguntas o dudas, por favor comuníquese con nosotros inmediatamente al 800.375.4255 o escriba a [customercare@thegalley.com](mailto:customercare@thegalley.com).

Consulte todos los códigos locales de fontanería y construcción antes de la instalación.

## Herramientas



## Antes de empezar



Si su(s) gabinete(s) ha(n) sido construido(s) para alojar su Galley Workstation, proceda al Paso 1. Si está uniendo dos o más gabinetes para alojar la Galley Workstation, deberá recortar los mamparos para crear un espacio libre de 12".

## 1. CONSTRUYA LA ESTRUCTURA DE SOPORTE

a) Necesitará contruir un marco de soporte (sistema de listones) e instalarlo dentro del (los) gabinete(s). Este marco sostendrá el peso de la Workstation.

**NOTA:** NO use clips.

b) Construya el marco de soporte de modo que las dimensiones interiores del marco sean 1/4" más grandes que las dimensiones interiores de ancho y largo del lavabo. Consulte las páginas 1-8 para conocer las dimensiones de su Galley.

**NOTA:** Para una Galley Workstation + DryDock, el marco de soporte debe ser construido con tablas de 3/4" x 3" de tal manera que no haya interferencia con ningún electrodoméstico debajo del mostrador.

## 2. FIJE EL MARCO DE SOPORTE A LAS PAREDES INTERNAS DEL GABINETE

### \*\*IMPORTANTE\*\*

Coloque el marco de soporte en el gabinete a ras de la parte frontal del mismo. Esto asegurará que haya el espacio de plomería mínimo de 2-3/4" necesario desde la parte posterior del marco hasta la pared del gabinete.

El marco de soporte debe instalarse 1/16" por debajo de la parte superior del gabinete.

**NOTA:** Use un nivel para asegurar que el marco de soporte esté instalado a nivel dentro del gabinete. Una vez instalado, el tope de los bordes de la cubeta estará al ras con el tope del gabinete.

Fije el marco de soporte a las paredes internas del gabinete.

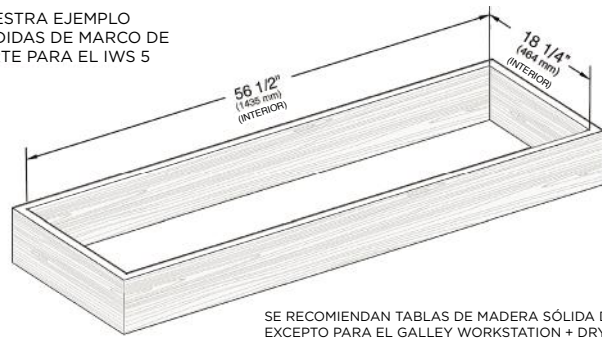
## 3. INSTALE LA CUBETA DE LA WORKSTATION

a) Coloque cuidadosamente la cubeta Galley dentro del gabinete apoyando las bridas de los bordes en el marco de soporte. Los cuatro bordes deben descansar sobre todo el marco de soporte.

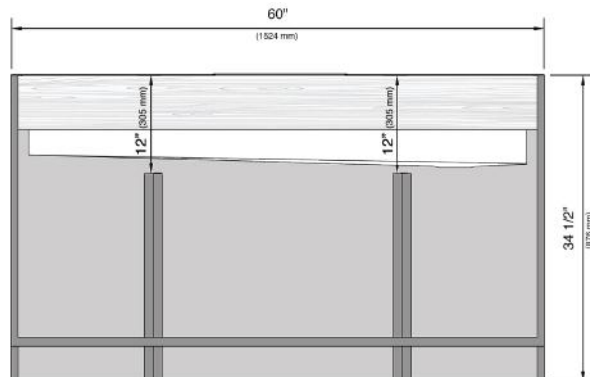
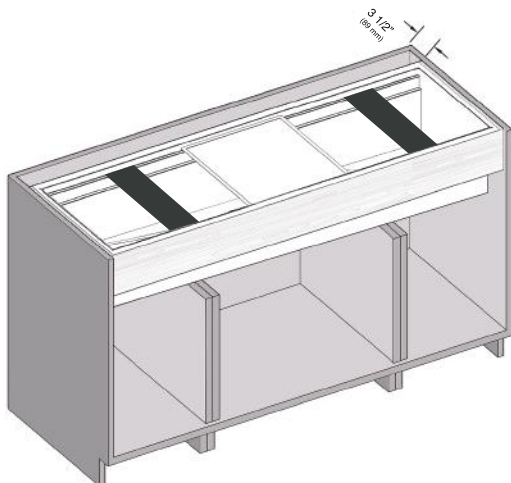
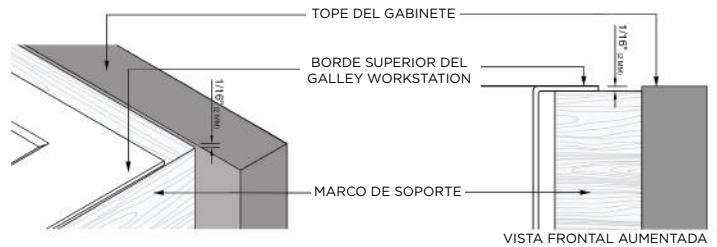
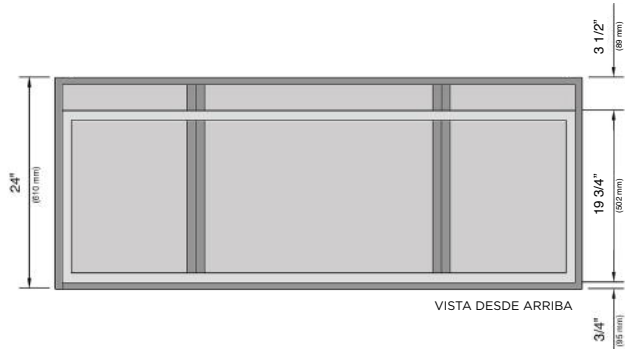
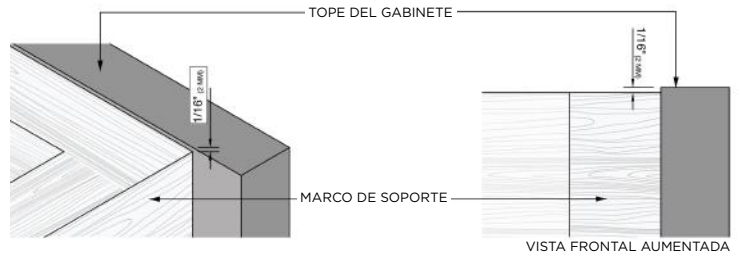
b) Use un nivel para asegurar que las bridas de los bordes estén niveladas. El tope de los bordes de la cubeta debería estar al ras con el tope del gabinete.

c) Posicione la cubeta de tal manera que esté perfectamente cuadrada dentro del gabinete.

SE MUESTRA EJEMPLO DE MEDIDAS DE MARCO DE SOPORTE PARA EL IWS 5



SE RECOMIENDAN TABLAS DE MADERA SÓLIDA DE 3/4" x 5-1/2" EXCEPTO PARA EL GALLEY WORKSTATION + DRYDOCK, PARA LO CUAL SE RECOMIENDAN DE 3/4" x 3"



## AHORA ES EL TURNO DEL FABRICANTE DEL MOSTRADOR

# Instalación del mostrador

Use la plantilla blanca adherida a las bridas de la cubeta The Galley como guía para el recorte de adelante hacia atrás y de izquierda a derecha. Remítase a las páginas 1 a 8 para las dimensiones generales del recorte, o remítase al dibujo en la bandeja plantilla.

### NOTA:

El radio de esquina máximo sugerido es de 3/8".

*\*Por favor, consulte los mínimos garantizados por el fabricante del mostrador\**

La medida de corte de adelante hacia atrás debe ser siempre exactamente de 18" para garantizar que todas las herramientas culinarias funcionen correctamente en los niveles del lavabo. La medida de izquierda a derecha debería ser siempre exactamente la especificada en las páginas 1 a 8.

### PASO 1

Recubra con cinta adhesiva el borde interior del lavabo a lo largo del perímetro del reborde. Esta cinta atraparà cualquier exceso de sellador que se produzca cuando el mostrador sea instalado.

### PASO 2

Aplique una línea gruesa y uniforme de silicona a lo largo del reborde expuesto del lavabo.

### PASO 3

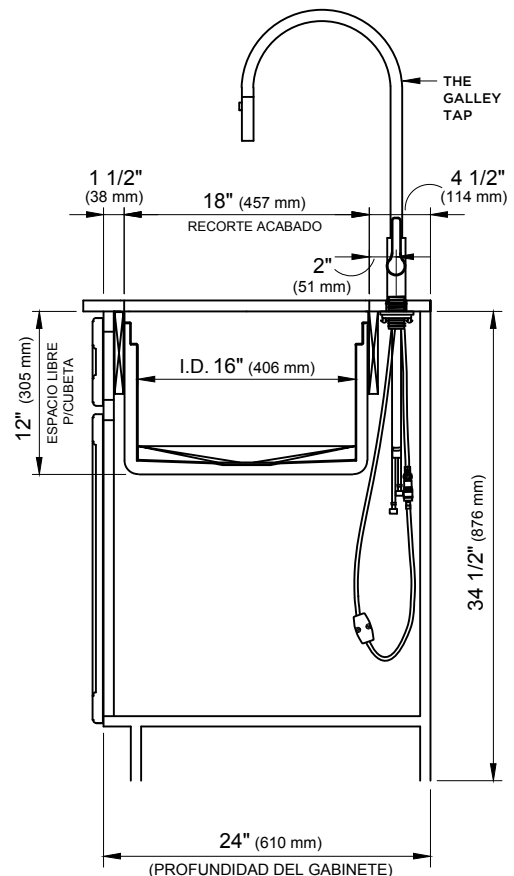
Antes de colocar el mostrador en su lugar, asegúrese de que el lavabo esté perfectamente cuadrado en el gabinete. Coloque el mostrador y posicónelo correctamente. El recorte del mostrador debe quedar al ras de los cuatro lados del lavabo, lo que se confirma con un saliente cero.

### PASO 4

Una vez que el mostrador ha sido colocado y se ha confirmado un saliente cero, retire el exceso de silicona que se encuentre en los rebordes cubiertos con cinta adhesiva, con un paño húmedo.

### PASO 5

Espere aproximadamente una hora y retire la cinta adhesiva y las abrazaderas del lavabo. Esto dejará unas líneas de silicona limpias y uniformes a lo largo de los rebordes del lavabo.



# The Galley Workstation.

## Garantía limitada de por vida

**1. GALLEY WORKSTATION, GARANTÍA LIMITADA DE POR VIDA** - El Vendedor ofrece una garantía limitada de por vida. El Vendedor garantiza que su fregadero de acero inoxidable, instalado en una aplicación residencial, está libre de defectos de fabricación en cuanto a materiales y manufactura bajo un uso residencial normal. Esta garantía limitada de por vida está sujeta a las condiciones y limitaciones que se establecen a continuación.

**2. CONDICIONES Y LIMITACIONES DE LA GARANTÍA** - La garantía del Vendedor no es transferible y está estrictamente limitada a los productos correctamente instalados siguiendo nuestras instrucciones de instalación y utilizados en un ambiente residencial. Esta garantía está limitada a defectos o daños como resultado de un uso residencial normal y no cubre corrosión en la superficie (química o natural, incluyendo la exposición al aire salado, salpicadura de agua de mar, lluvia ácida o químicos ambientales); rayones o arañazos, mal uso, uso anormal o abusivo, abolladuras, deformaciones causadas por el impacto de algún objeto, instalación, cuidado o mantenimiento inadecuados, uso comercial, factores ambientales dañinos, maltratos durante el traslado o flete, o signos comunes de desgaste normal (los arañazos, manchas o decapado alcalino en el acabado a lo largo del tiempo debido al uso; las prácticas de limpieza o condiciones del agua o atmosféricas no son defectos de fabricación pero si un indicativo de deterioro normal, sin embargo estos signos son fáciles de remediar). Esta garantía limitada será nula y sin valor si el producto ha sido reparado, alterado o modificado por alguien diferente al Vendedor o bajo la supervisión del vendedor. El Vendedor no se hace responsable por costos de mano de obra, instalación u otros costos incidentales o derivados. La responsabilidad del Vendedor en ningún momento excederá el valor de compra del producto. Si el producto es instalado fuera de América del Norte, el vendedor garantiza que el producto estará libre de defectos por materiales o manufactura durante un (1) año desde la fecha de instalación del producto, con todos los otros términos de esta garantía con excepción de la duración. Si este producto no fue adquirido del Vendedor, o de un vendedor autorizado o de un Distribuidor del Vendedor, esta garantía es nula y sin valor.

**3. HERRAMIENTAS CULINARIAS** - Las herramientas culinarias no están garantizadas. Si un defecto es encontrado durante su uso residencial normal, el Vendedor, a su elección reparará, sustituirá o hará los arreglos apropiados. Los artículos hechos de Bambú Dorado Natural o Nogal Negro Americano no deberían ser expuestos a la luz solar directa o ser almacenados en ambientes exteriores.

**4. CUIDADO Y MANTENIMIENTO** - Para conocer las instrucciones de cuidado y mantenimiento de todos los productos Galley, consulte la sección uso y cuidado en [thegalley.com](http://thegalley.com).

**5. RECLAMACIONES DE GARANTÍA** - Estas garantías están vigentes para los Productos del Vendedor adquiridos a partir del 1 de enero de 2015. Para las reclamaciones de garantía, comuníquese con su Distribuidor Autorizado de Galley, o puede escribir a:

The Galley, LLC.  
Attn: Warranty Claims  
12626 South Memorial Drive  
Bixby, OK 74008

Incluya el recibo original con una descripción del problema, el número de modelo, la tienda, la fecha de compra, su nombre, dirección y número de teléfono.



**THE GALLEY**<sup>®</sup>  
■ ■ ■ ■

Oficinas Corporativas

The Galley, LLC  
12626 South Memorial Drive  
Bixby, OK 74008  
800.375.4255  
thegalley.com



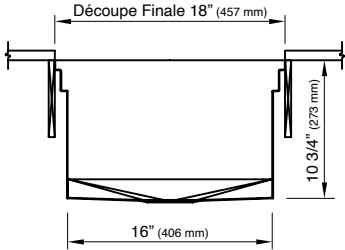
## **Guide d'installation**

Ideal Workstations<sup>2</sup>, Work&WashStations<sup>2</sup>,  
Workstations<sup>2</sup>/WashStations<sup>2</sup> avec DryDock<sup>®</sup>,  
BarStations<sup>2</sup> et WashStations<sup>2</sup>



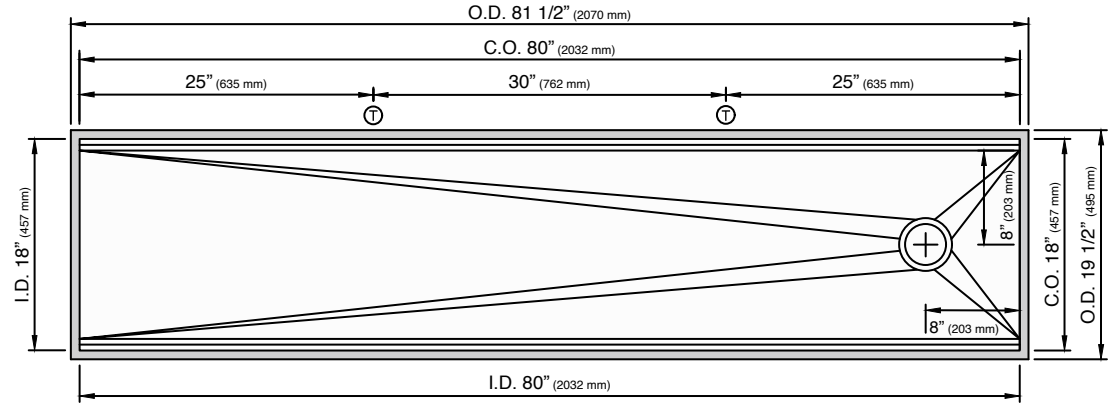
# Workstations<sup>2</sup>

Drain d'évacuation situé à droite

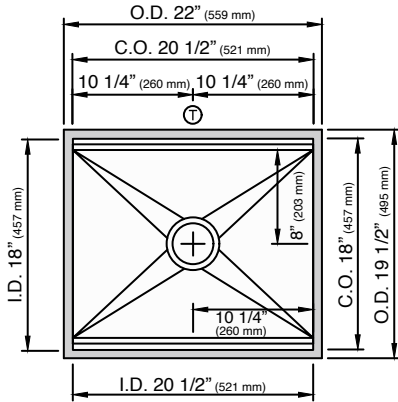


Le schéma de la vue latérale s'applique à tous les Workstations

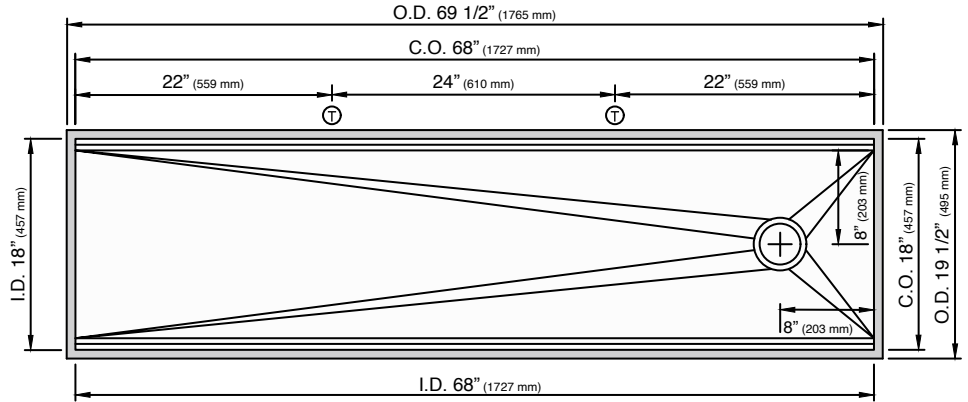
IWS-7-S-2



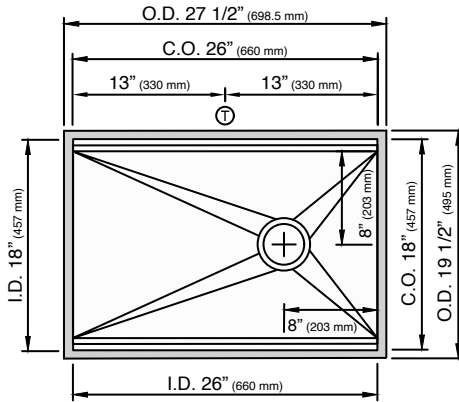
IWS-2-C-2



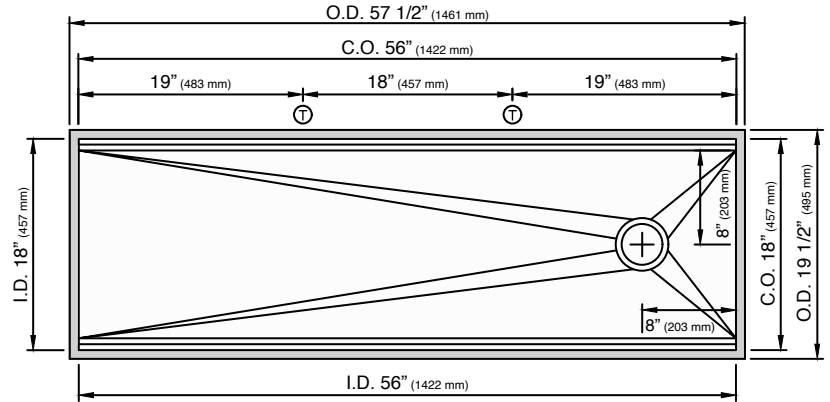
IWS-6-S-2



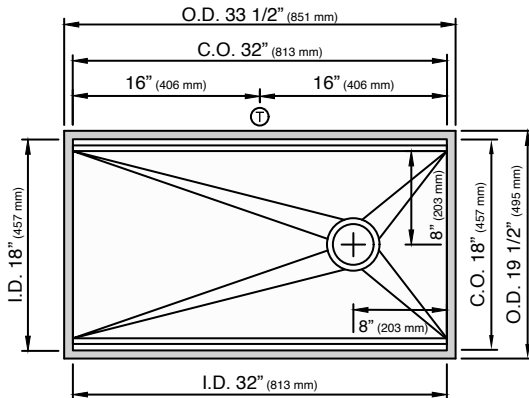
IWS-30-S-2



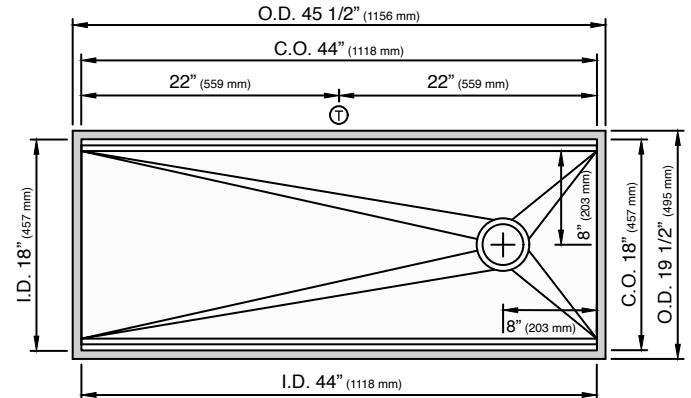
IWS-5-S-2



IWS-3-S-2



IWS-4-S-2



## GUIDE DE PLACEMENT SUGGÉRÉ POUR LE GALLEY TAP

Rayon maximal suggéré pour le coin intérieur de la découpe du comptoir: 3/8"

⊕ Galley Tap: trou de diamètre 1 3/8" minimum à 1 1/2" maximum

Diamètre des trous pour le Tap Central: 2" derrière la découpe

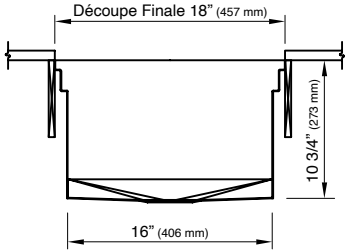
Note: Le Galley Hot & Cold Tap nécessite un dégagement minimum de 8" au centre s'il est installé à droite du Galley Tap

Note: Les emplacements du Tap sont prévus pour une orientation de drainage située à droite ou à gauche

Appelez au 800.375.4255 ou envoyez un courriel à [customer@thegalley.com](mailto:customer@thegalley.com) pour obtenir des conseils supplémentaires sur le placement des Taps et des accessoires pour le Tap

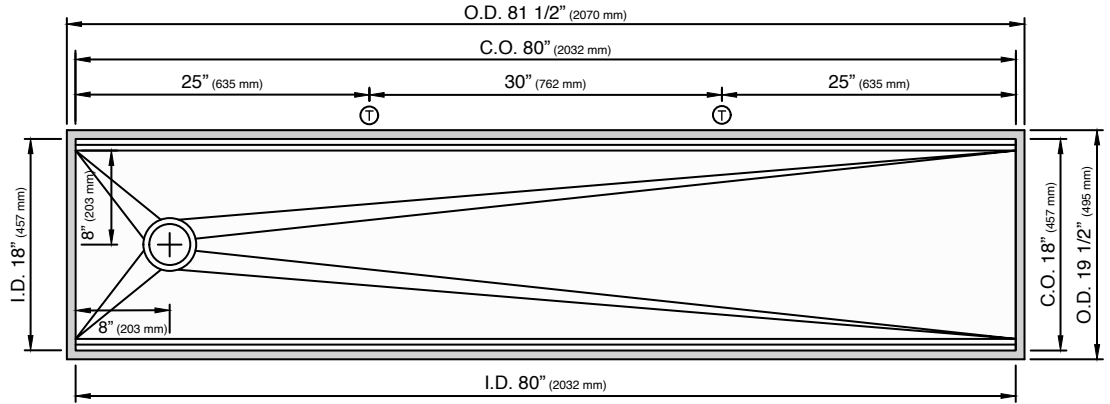
# Workstations<sup>2</sup>

Drain d'évacuation situé à gauche

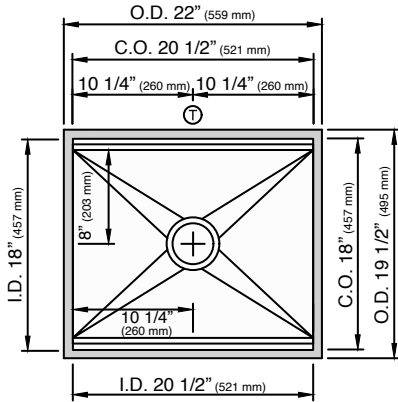


Le schéma de la vue latérale s'applique à tous les Workstations

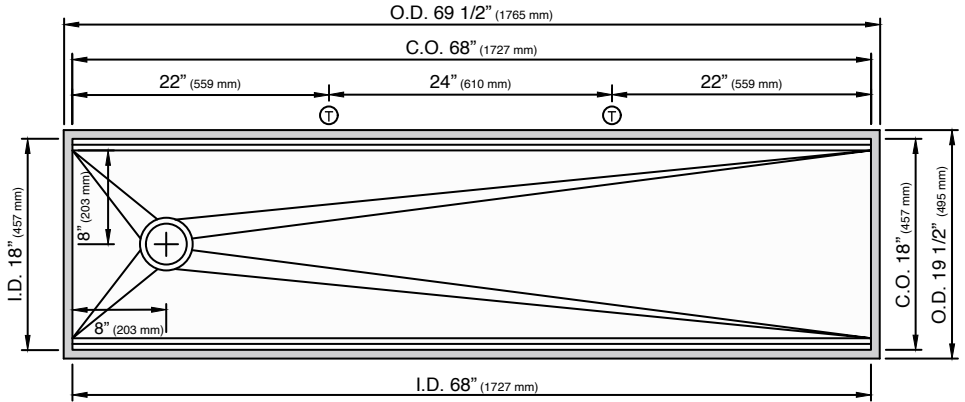
IWS-7-S-2



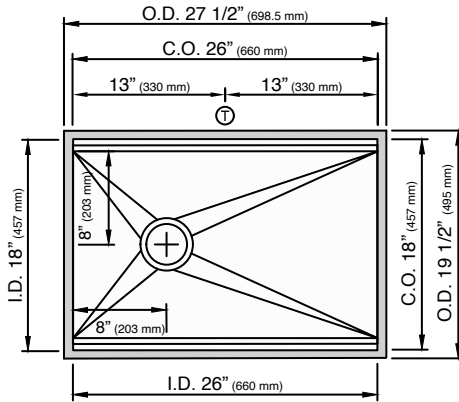
IWS-2-C-2



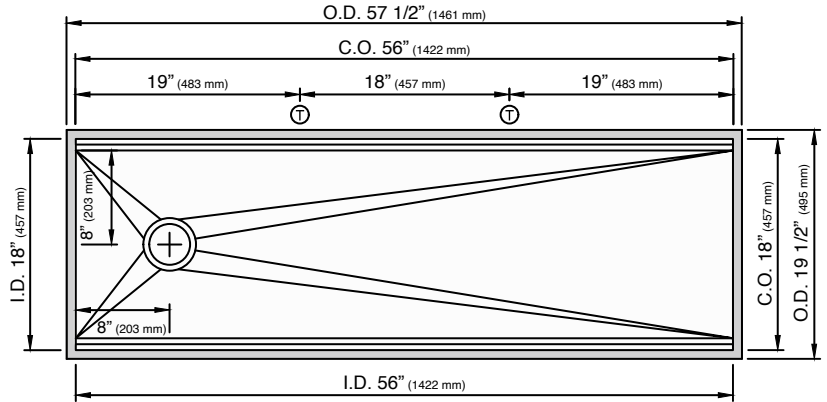
IWS-6-S-2



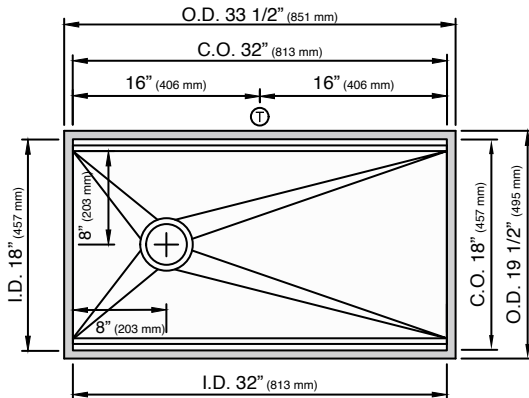
IWS-30-S-2



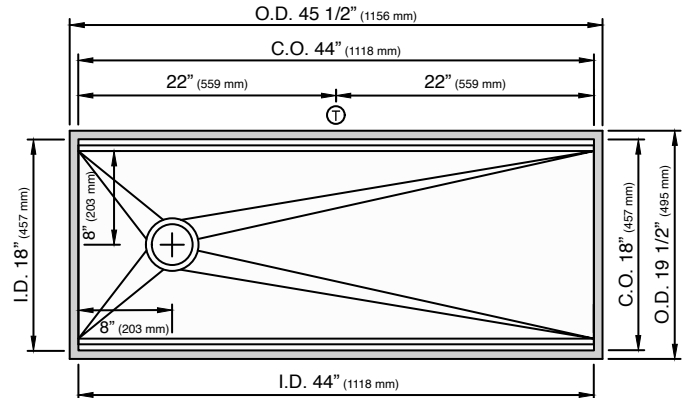
IWS-5-S-2



IWS-3-S-2



IWS-4-S-2



## GUIDE DE PLACEMENT SUGGÉRÉ POUR LE GALLEY TAP

Rayon maximal suggéré pour le coin intérieur de la découpe du comptoir: 3/8"

⊕ Galley Tap: trou de diamètre 1 3/8" minimum à 1 1/2" maximum

Diamètre des trous pour le Tap Central: 2" derrière la découpe

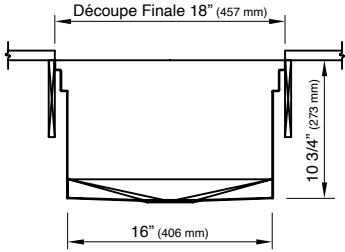
Note: Le Galley Hot & Cold Tap nécessite un dégagement minimum de 8" au centre s'il est installé à droite du Galley Tap

Note: Les emplacements du Tap sont prévus pour une orientation de drainage située à droite ou à gauche

Appelez au 800.375.4255 ou envoyez un courriel à [customercare@thegalley.com](mailto:customercare@thegalley.com) pour obtenir des conseils supplémentaires sur le placement des Taps et des accessoires pour le Tap

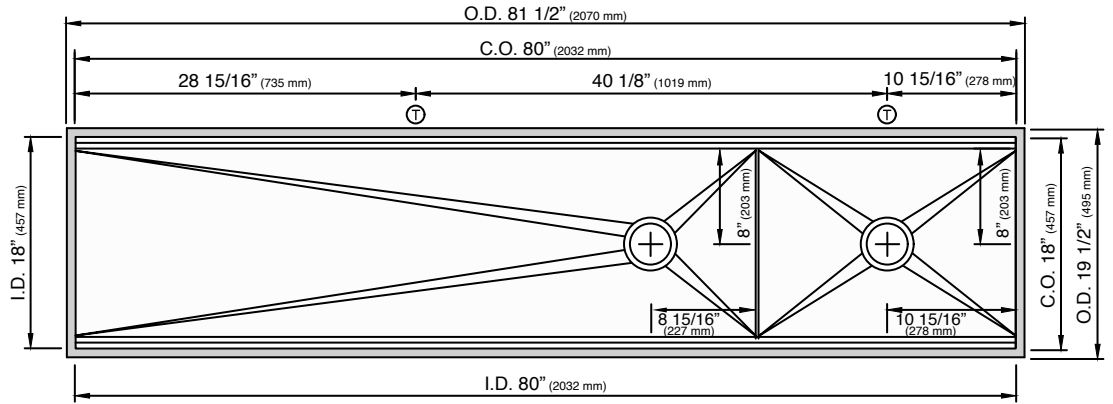
# Work&WashStations<sup>2</sup>

Drain d'évacuation situé à droite

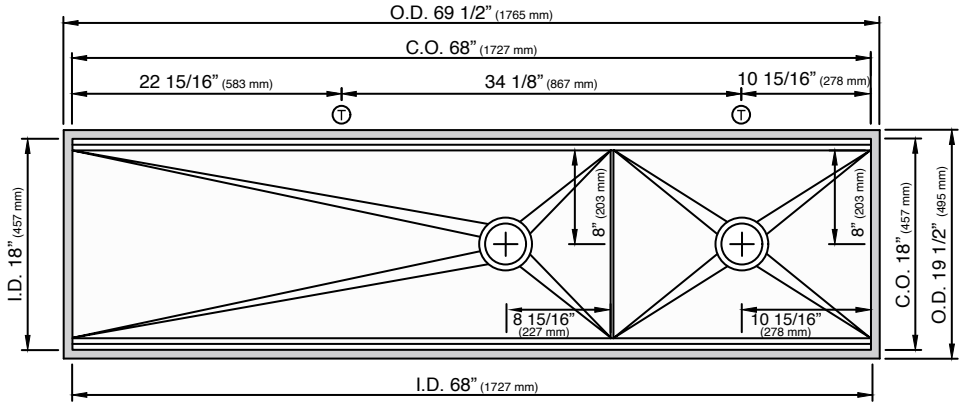


Le schéma de la vue latérale s'applique à tous les Work&WashStations

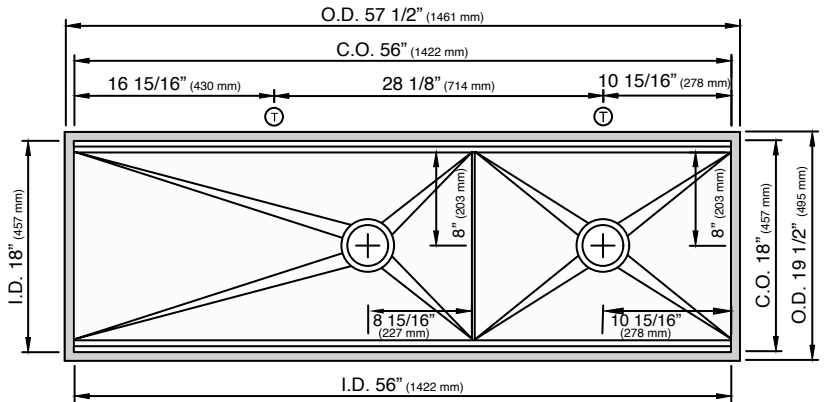
IWW-7-D-2



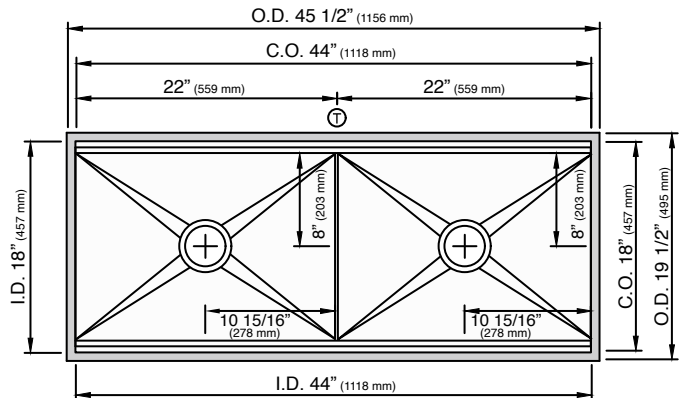
IWW-6-D-2



IWW-5-D-2



IWW-4-D-2



## GUIDE DE PLACEMENT SUGGÉRÉ POUR LE GALLEY TAP

Rayon maximal suggéré pour le coin intérieur de la découpe du comptoir: 3/8"

Ⓣ Galley Tap: trou du diamètre 1 3/8" minimum à 1 1/2" maximum

Diamètre des trous pour le Tap Central: 2" derrière la découpe

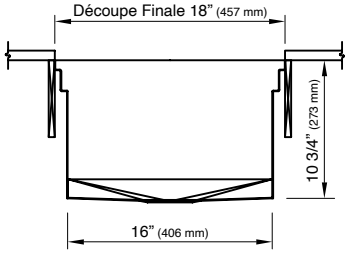
Note: Le Galley Hot & Cold Tap nécessite un dégagement minimum de 8" au centre s'il est installé à droite du Galley Tap

Note: Les emplacements du Tap sont prévus pour une orientation de drainage située à droite ou à gauche

Appelez au 800.375.4255 ou envoyez un courriel à [customer@thegalley.com](mailto:customer@thegalley.com) pour obtenir des conseils supplémentaires sur le placement des Taps et des accessoires pour le Tap

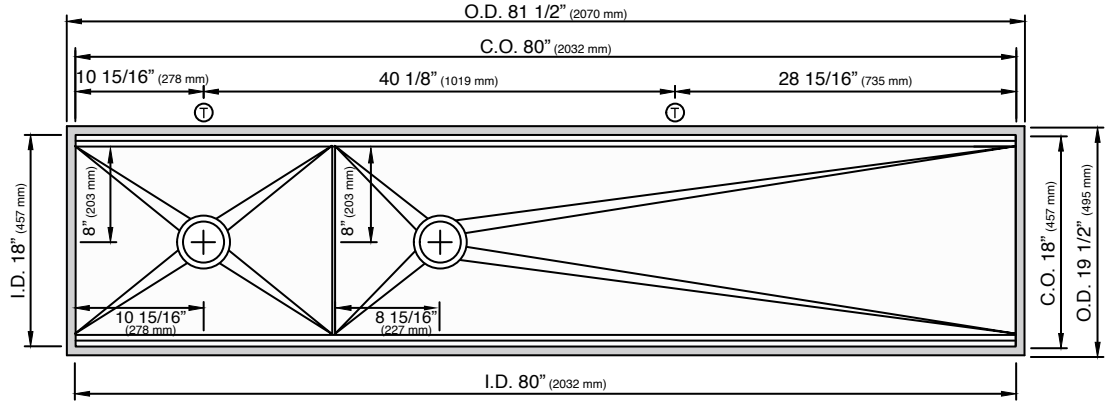
# Work&WashStations<sup>2</sup>

Drain d'évacuation situé à gauche

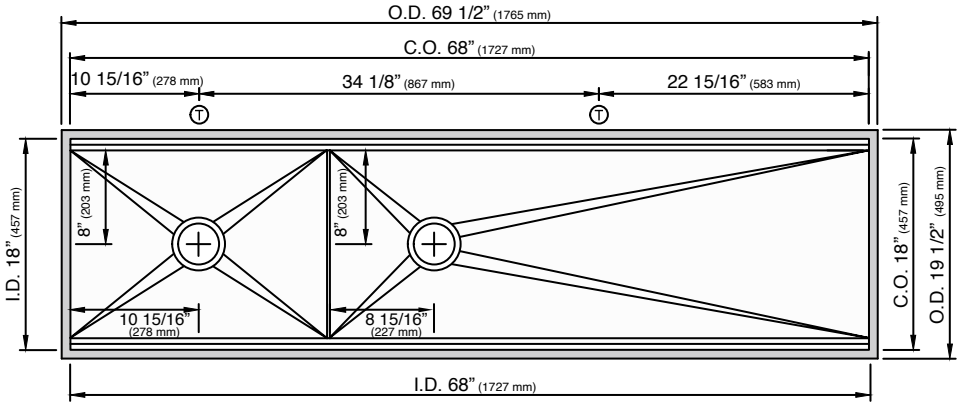


Le schéma de la vue latérale s'applique à tous les Work&WashStations

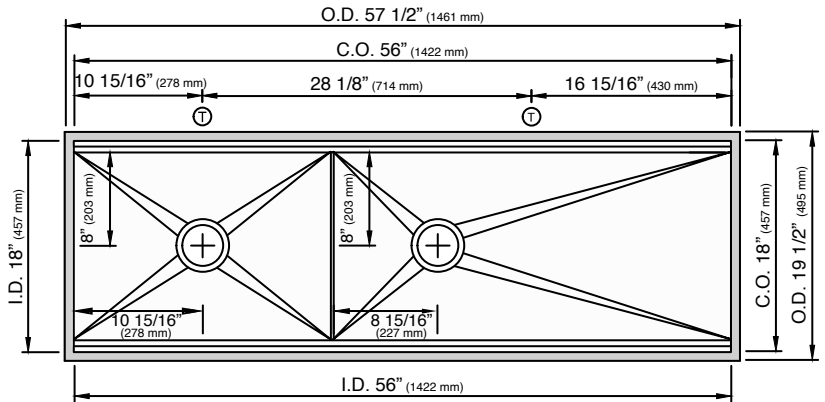
IWW-7-D-2



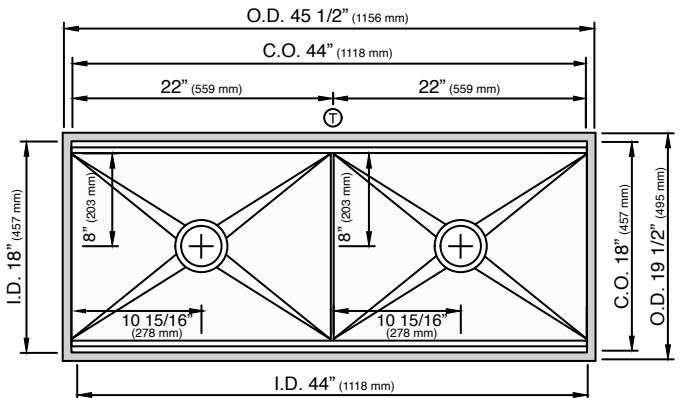
IWW-6-D-2



IWW-5-D-2



IWW-4-D-2



## GUIDE DE PLACEMENT SUGGÉRÉ POUR LE GALLEY TAP

Rayon maximal suggéré pour le coin intérieur de la découpe du comptoir: 3/8"

Ⓜ Galley Tap: trou du diamètre 1 3/8" minimum à 1 1/2" maximum

Diamètre des trous pour le Tap Central: 2" derrière la découpe

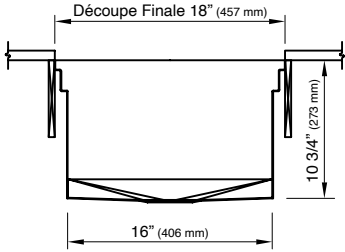
Note: Le Galley Hot & Cold Tap nécessite un dégagement minimum de 8" au centre s'il est installé à droite du Galley Tap

Note: Les emplacements du Tap sont prévus pour une orientation de drainage située à droite ou à gauche

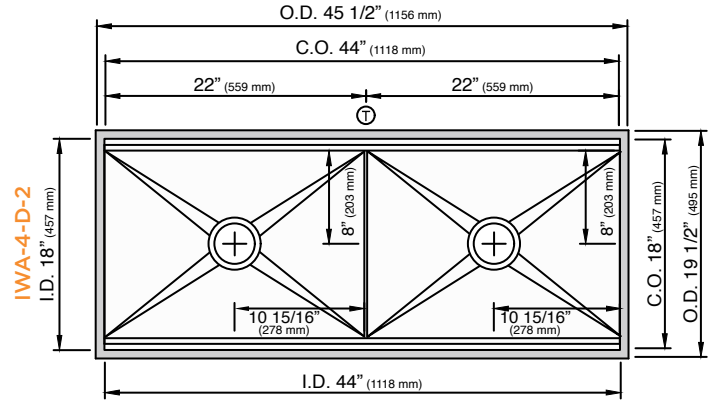
Appelez au 800.375.4255 ou envoyez un courriel à [customer@thegalley.com](mailto:customer@thegalley.com) pour obtenir des conseils supplémentaires sur le placement des Taps et des accessoires pour le Tap

# BarStations<sup>2</sup> et WashStations<sup>2</sup>

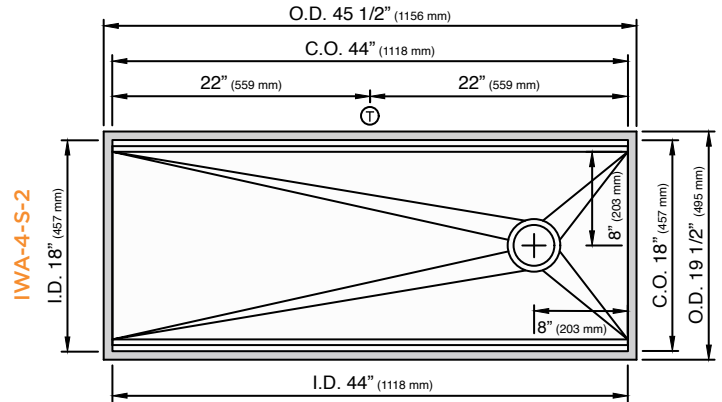
Drain d'évacuation situé à droite



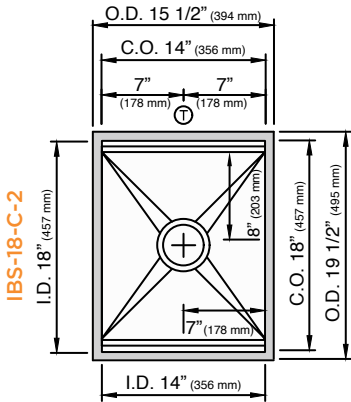
Le schéma de la vue latérale s'applique à tous les BarStations et WashStations



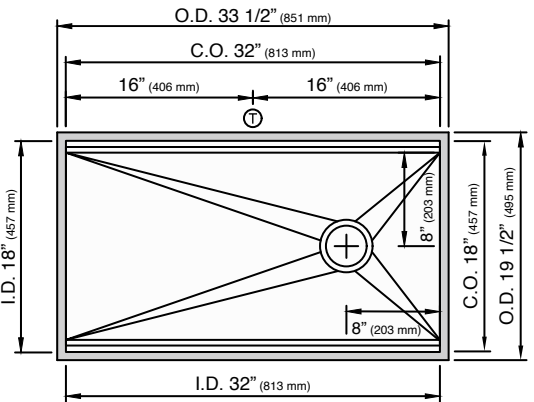
IWA-4-D-2



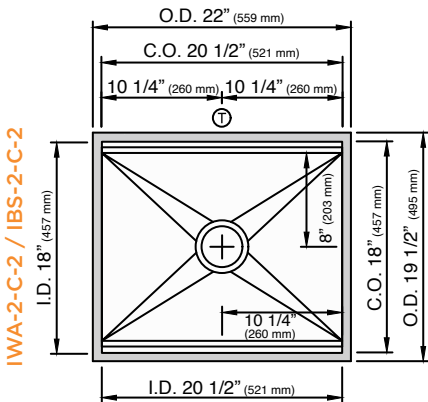
IWA-4-S-2



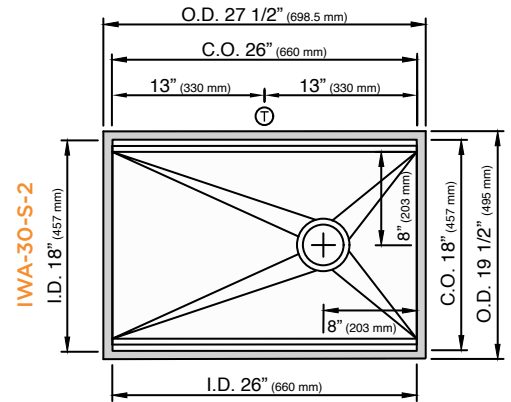
IBS-18-C-2



IWA-3-S-2



IWA-2-C-2 / IBS-2-C-2



IWA-30-S-2

## GUIDE DE PLACEMENT SUGGÉRÉ POUR LE GALLEY TAP

Rayon maximal suggéré pour le coin intérieur de la découpe du comptoir: 3/8"

Ⓜ Galley Tap: trou du diamètre 1 3/8" minimum à 1 1/2" maximum

Diamètre des trous pour le Tap Central: 2" derrière la découpe

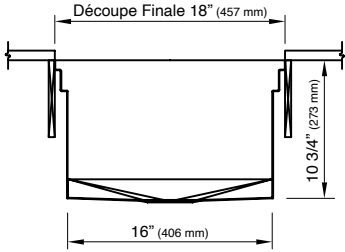
Note: Le Galley Hot & Cold Tap nécessite un dégagement minimum de 8" au centre s'il est installé à droite du Galley Tap

Note: Les emplacements du Tap sont prévus pour une orientation de drainage située à droite ou à gauche

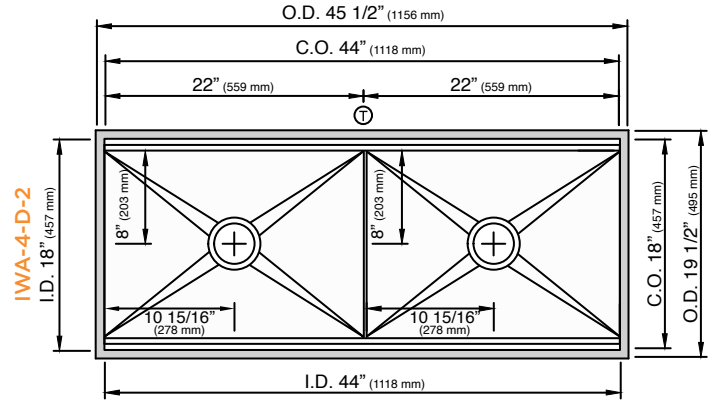
Appelez au 800.375.4255 ou envoyez un courriel à [customer@thegalley.com](mailto:customer@thegalley.com) pour obtenir des conseils supplémentaires sur le placement des Taps et des accessoires pour le Tap

# BarStations<sup>2</sup> et WashStations<sup>2</sup>

Drain d'évacuation situé à gauche

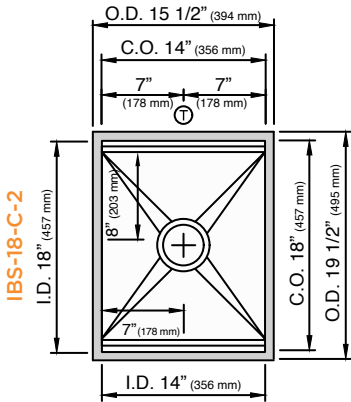
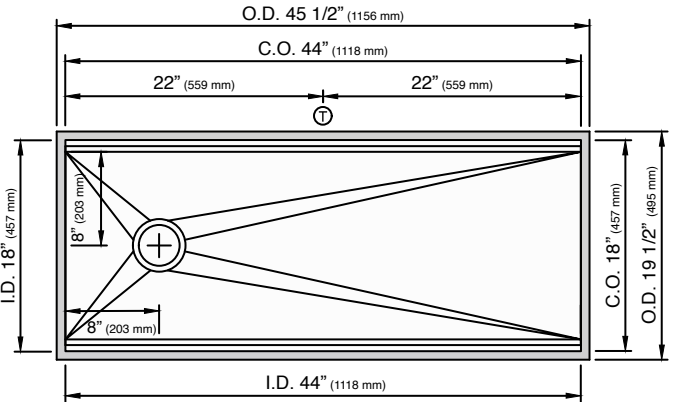


Le schéma de la vue latérale s'applique à tous les BarStations et WashStations

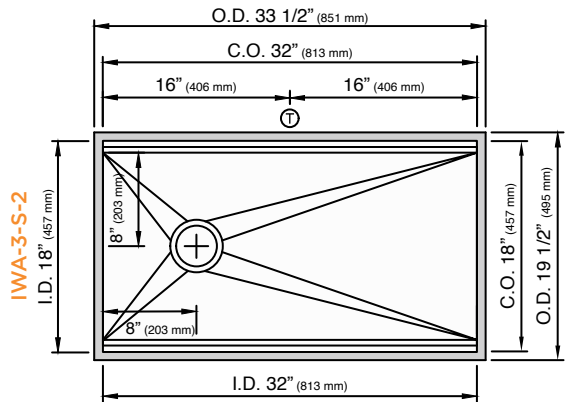


IWA-4-D-2

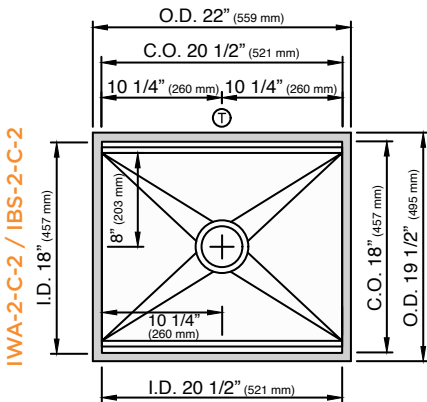
IWA-4-S-2



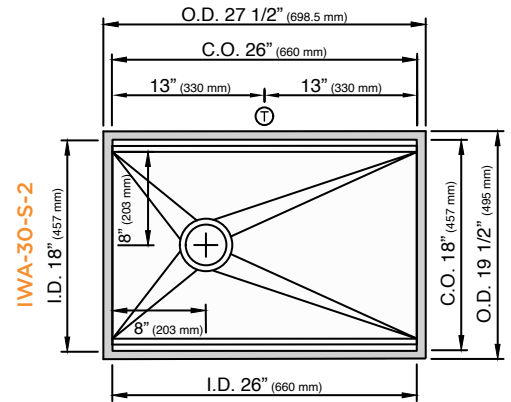
IBS-18-C-2



IWA-3-S-2



IWA-2-C-2 / IBS-2-C-2



IWA-30-S-2

## GUIDE DE PLACEMENT SUGGÉRÉ POUR LE GALLEY TAP

Rayon maximal suggéré pour le coin intérieur de la découpe du comptoir: 3/8"

Ⓜ Galley Tap: trou du diamètre 1 3/8" minimum à 1 1/2" maximum

Diamètre des trous pour le Tap Central: 2" derrière la découpe

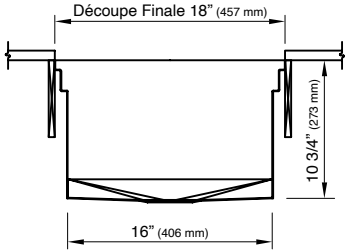
Note: Le Galley Hot & Cold Tap nécessite un dégagement minimum de 8" au centre s'il est installé à droite du Galley Tap

Note: Les emplacements du Tap sont prévus pour une orientation de drainage située à droite ou à gauche

Appelez au 800.375.4255 ou envoyez un courriel à [customercare@thegalley.com](mailto:customercare@thegalley.com) pour obtenir des conseils supplémentaires sur le placement des Taps et des accessoires pour le Tap

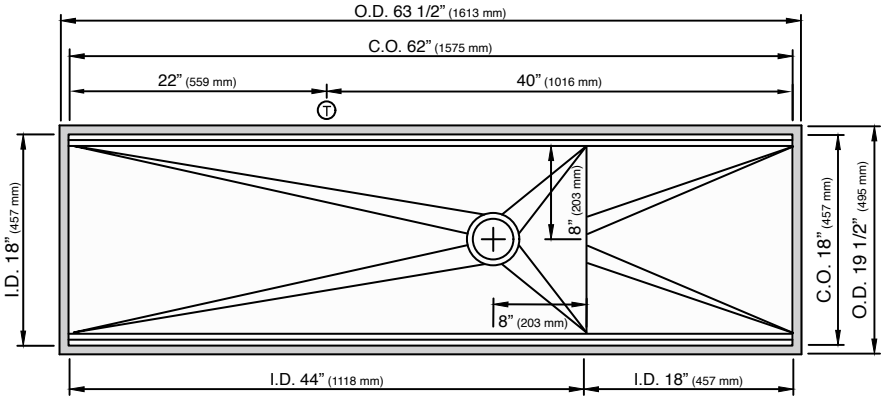
# Workstations<sup>2</sup>/WashStations<sup>2</sup> avec DryDock<sup>®</sup>

Drain d'évacuation situé à droite

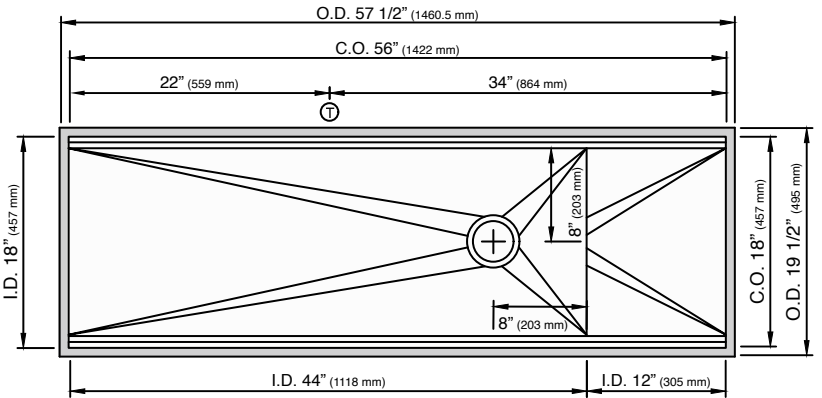


Le schéma de la vue latérale s'applique à tous les Workstations et WashStations avec DryDock

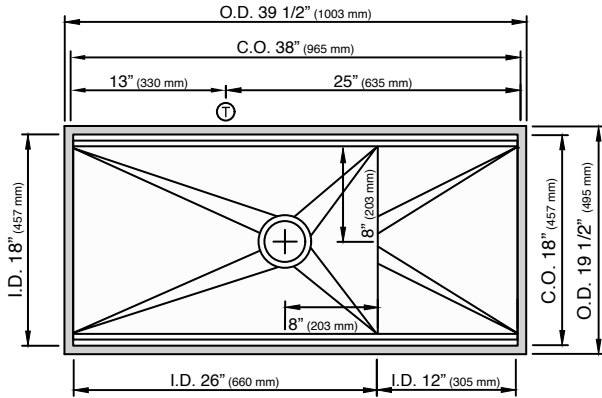
IWS-4-S-DD-18-2  
IWA-4-S-DD-18-2



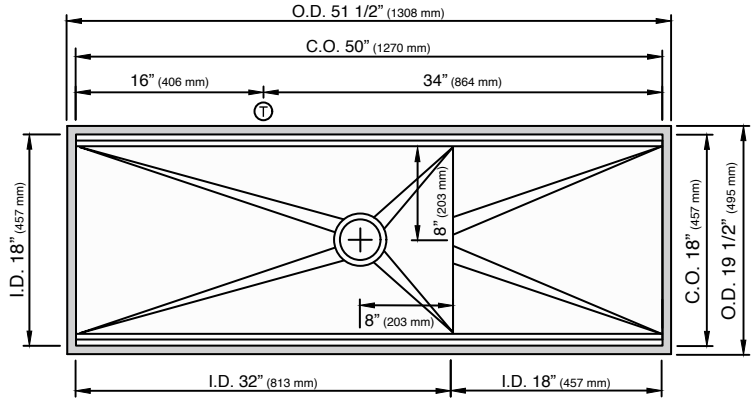
IWS-4-S-DD-12-2  
IWA-4-S-DD-12-2



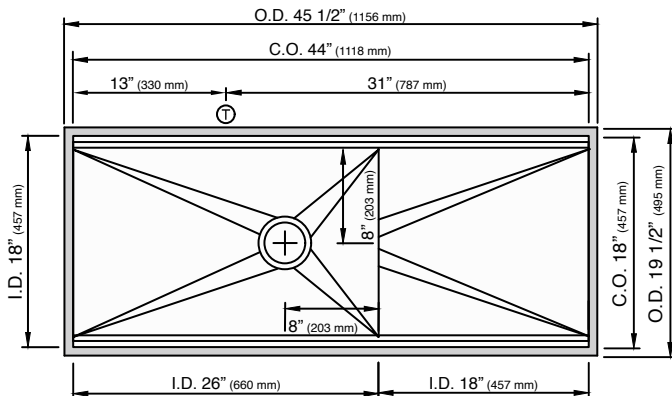
IWS-30-S-DD-12-2  
IWA-30-S-DD-12-2



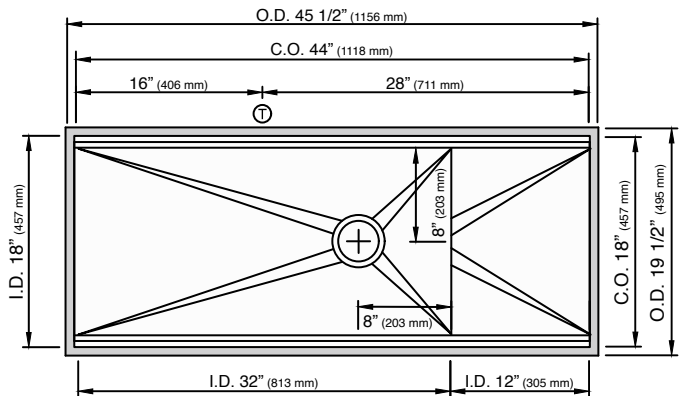
IWS-3-S-DD-18-2  
IWA-3-S-DD-18-2



IWS-30-S-DD-18-2  
IWA-30-S-DD-18-2



IWS-3-S-DD-12-2  
IWA-3-S-DD-12-2



## GUIDE DE PLACEMENT SUGGÉRÉ POUR LE GALLEY TAP

Rayon maximal suggéré pour le coin intérieur de la découpe du comptoir: 3/8"

⊕ Galley Tap: trou du diamètre 1 3/8" minimum à 1 1/2" maximum

Diamètre des trous pour le Tap Central: 2" derrière la découpe

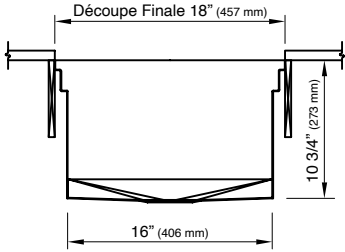
Note: Le Galley Hot & Cold Tap nécessite un dégagement minimum de 8" au centre s'il est installé à droite du Galley Tap

Note: Les emplacements du Tap sont prévus pour une orientation de drainage située à droite ou à gauche

Appelez au 800.375.4255 ou envoyez un courriel à [customer@thegalley.com](mailto:customer@thegalley.com) pour obtenir des conseils supplémentaires sur le placement des Taps et des accessoires pour le Tap

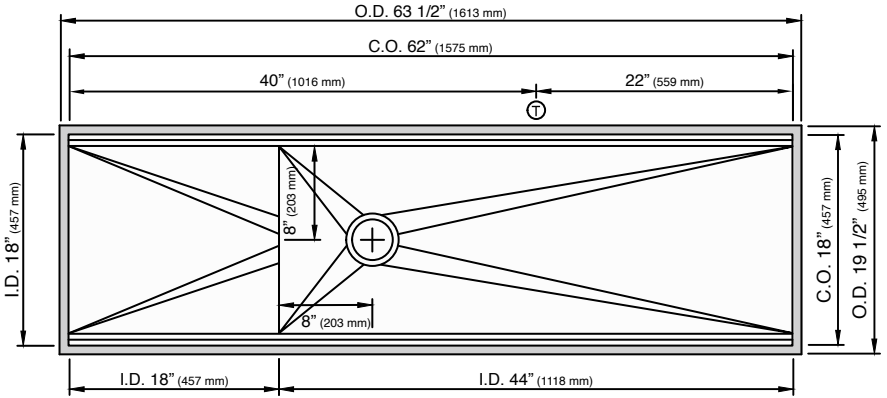
# Workstations<sup>2</sup>/WashStations<sup>2</sup> avec DryDock.

Drain d'évacuation situé à gauche

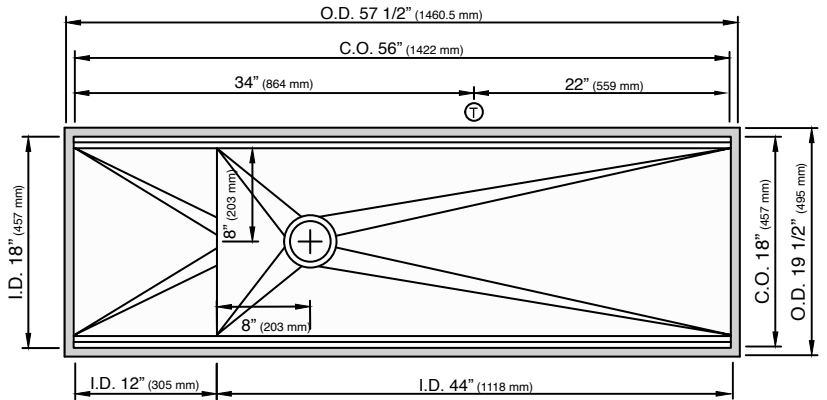


Le schéma de la vue latérale s'applique à tous les Workstations et WashStations avec DryDock

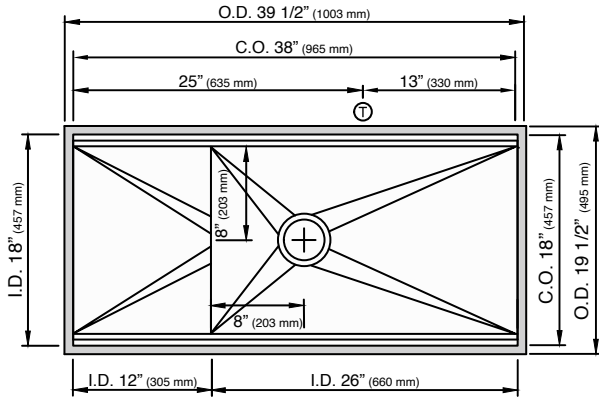
IWS-4-S-DD-18-2  
IWA-4-S-DD-18-2



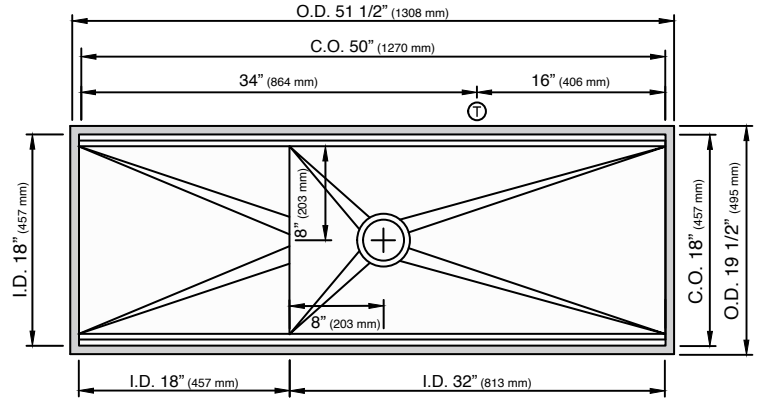
IWS-4-S-DD-12-2  
IWA-4-S-DD-12-2



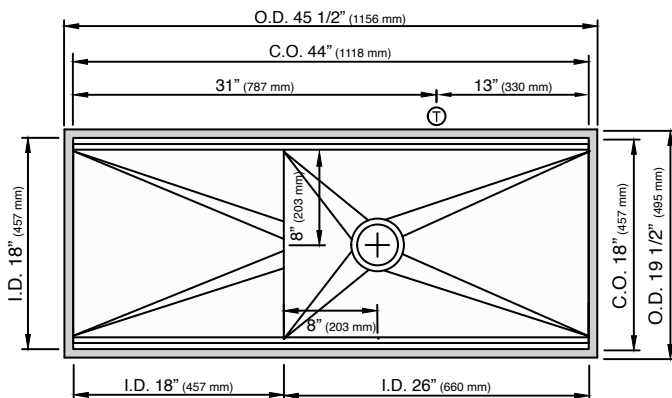
IWS-30-S-DD-12-2  
IWA-30-S-DD-12-2



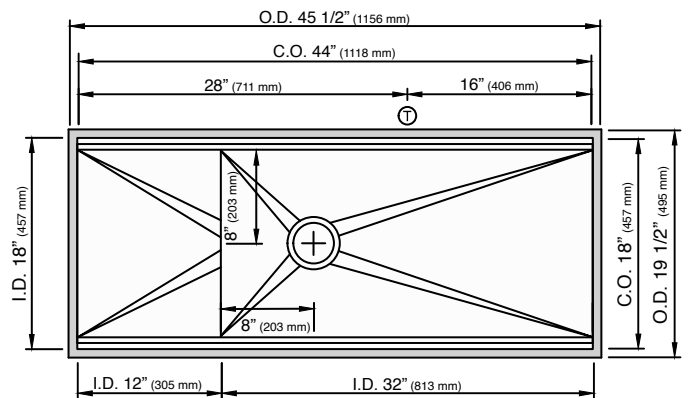
IWS-3-S-DD-18-2  
IWA-3-S-DD-18-2



IWS-30-S-DD-18-2  
IWA-30-S-DD-18-2



IWS-3-S-DD-12-2  
IWA-3-S-DD-12-2



## GUIDE DE PLACEMENT SUGGÉRÉ POUR LE GALLEY TAP

Rayon maximal suggéré pour le coin intérieur de la découpe du comptoir: 3/8"

Ⓜ Galley Tap: trou au diamètre 1 3/8" minimum à 1 1/2" maximum

Diamètre des trous pour le Tap Central: 2" derrière la découpe

Note: Le Galley Hot & Cold Tap nécessite un dégagement minimum de 8" au centre s'il est installé à droite du Galley Tap

Note: Les emplacements du Tap sont prévus pour une orientation de drainage située à droite ou à gauche

Appelez au 800.375.4255 ou envoyez un courriel à [customer@thegalley.com](mailto:customer@thegalley.com) pour obtenir des conseils supplémentaires sur le placement des Taps et des accessoires pour le Tap

# IMPORTANT

1. Veuillez noter que contrairement aux installations typiques pour les éviers de cuisine encastrés, le Galley Workstation est installé dans le meuble avant que le comptoir soit posé. **Une structure de support en bois devra être construite et montée à l'intérieur du meuble ou du cabinet du comptoir et devra être encastrée de 1/16" du haut.**

2. Laissez le plateau d'instructions d'installations fixé au bassin du Galley jusqu'à ce que le comptoir ait été posé, et laissez les supports du bassin fixés aux niveaux jusqu'à ce que le comptoir ait été installé et que le silicone ait durci pendant au moins une heure.

3. Le Workstation et le Tap nécessitent un dégagement d'au **minimum 22 1/2"** à l'intérieur du cabinet ou du meuble. Pour les armoires encastrées avec une profondeur de 24" et installées contre un mur, l'armoire doit être éloignée à 1" du mur.

4. Pour les comptoirs avec un bord frontal décoratif stratifié ou encastré, construisez la structure de support en bois de manière à ce qu'il finisse à 1/16" en dessous du revers de la découpe du comptoir.

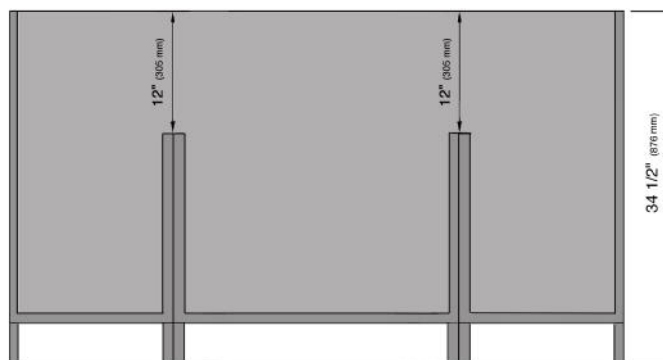
Inspectez le bassin du Galley pour détecter tout dommage avant l'installation. Pour toute question ou préoccupation, veuillez nous contacter immédiatement au 800 375 4255 ou à [customercare@thegalley.com](mailto:customercare@thegalley.com).

Veuillez vous référer à tous les codes locaux de plomberie et de construction avant l'installation.

## Outils



## Avant de commencer



Si votre meuble a été construit dans le but d'accueillir votre Galley Workstation, passez à l'étape 1. Si vous assemblez deux cabinets ou plus pour installer votre Galley, vous devrez découper les cloisons pour créer un espace de 12" pour le bassin.

## 1. CONSTRUIRE LA STRUCTURE DE SUPPORT

a) Une structure de support en bois (cadre) devra être construite et installée dans le meuble(s). Cette structure supportera le poids du Workstation.

**NOTE:** Il ne faut PAS utiliser de braquettes de fixation.

b) Construisez la structure de support de manière à ce que les dimensions intérieures du support soient plus larges de 1/4" que les dimensions de largeur et de longueur du bassin. Veuillez consulter les pages 1-8 pour les dimensions de votre Galley.

**NOTE:** Pour le Galley Workstation + DryDock, la structure de support doit être construite avec des planches de 3/4" x 3" de façon à ce qu'il n'y ait pas d'interférence avec les appareils sous le comptoir.

## 2. FIXER LA STRUCTURE DE SUPPORT AUX PAROIS INTÉRIEURES DU MEUBLE

### \*\*IMPORTANT\*\*

Placez la structure du support dans le meuble, aligné le plus près possible avec l'avant du meuble. Cela permet de garantir qu'il y a l'espace minimum de 2-3/4" nécessaire pour la plomberie entre l'arrière de la structure et la paroi du meuble.

La structure de support doit être installée à 1/16" plus bas que le haut du meuble.

**NOTE:** Utilisez un niveau pour vous assurer que la structure de support est installée au niveau du meuble. Une fois installé, le haut des brides du bassin sera au même niveau que le haut du meuble.

Fixez la structure de support aux parois intérieures du meuble.

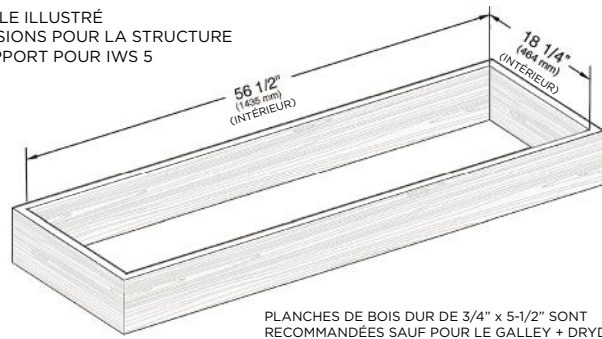
## 3. INSTALLER LE BASSIN DU WORKSTATION

a) Placez avec précaution le bassin du Galley dans le meuble en faisant appuyer les brides sur la structure de support. Les quatre brides doivent reposer sur la structure de support.

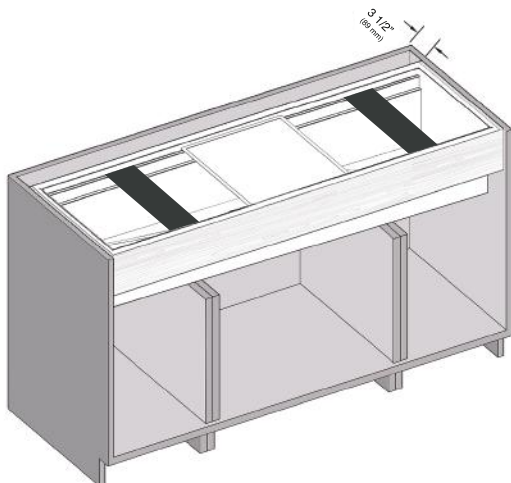
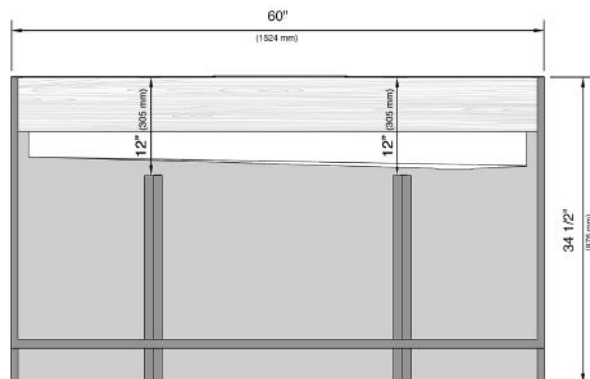
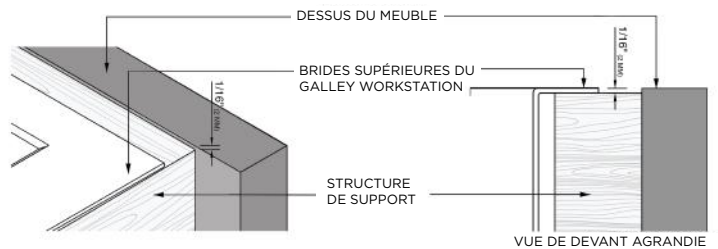
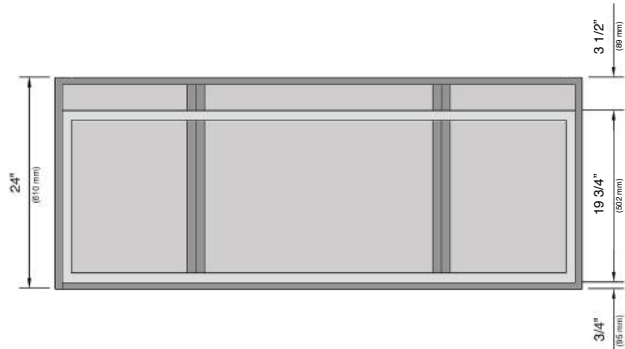
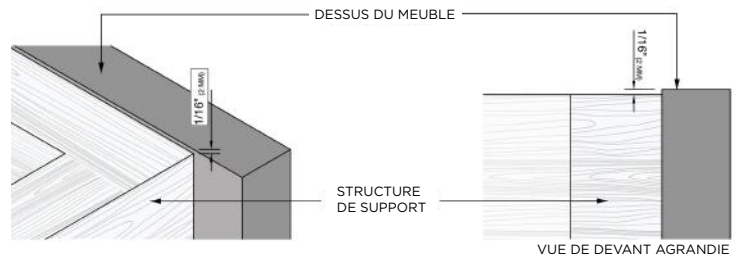
b) Utilisez un niveau pour vous assurer que les brides sont au niveau. Le haut des brides doit être au même niveau que le haut du meuble.

c) Positionnez le bassin de manière à ce qu'il soit parfaitement aligné (à l'équerre) dans le meuble.

EXEMPLE ILLUSTRÉ  
DIMENSIONS POUR LA STRUCTURE  
DE SUPPORT POUR IWS 5



PLANCHES DE BOIS DUR DE 3/4" x 5-1/2" SONT RECOMMANDÉES SAUF POUR LE GALLEY + DRYDOCK POUR LESQUELS DES PLANCHES DE BOIS SUR 3/4" X 3" SONT RECOMMANDÉES.



## VOUS ÊTES MAINTENANT PRÊTS POUR L'INSTALLATION DU COMPTOIR

# Installation du comptoir

Utilisez le gabarit blanc de découpe fixé aux brides du bassin de cuisine Galley comme guide pour la découpe avant-arrière et de gauche à droite. Reportez-vous aux pages 1 à 8 pour connaître les dimensions globales de la découpe ou reportez-vous au dessin sur la feuille de gabarit.

### REMARQUE:

Le rayon de coin maximum suggéré est de  $3/8$ ".  
*\*Veuillez vous référer aux minimums garantis par le fabricant du comptoir\**

La dimension de découpe de l'avant vers l'arrière doit toujours être coupée exactement à 18" pour s'assurer que tous les accessoires culinaires fonctionnent correctement sur les niveaux du bassin. La dimension de gauche à droite doit être coupée exactement aux spécifications décrites aux pages 1 à 8.

### ÉTAPE 1

Appliquez un ruban adhésif sur les rebords du bassin tout le long du périmètre. Ce ruban récupérera tout calfeutrage excessif produit lors de l'installation de la surface solide.

### ÉTAPE 2

Appliquez généreusement un cordon de silicone continu et uniforme sur la bride exposée du bassin.

### ÉTAPE 3

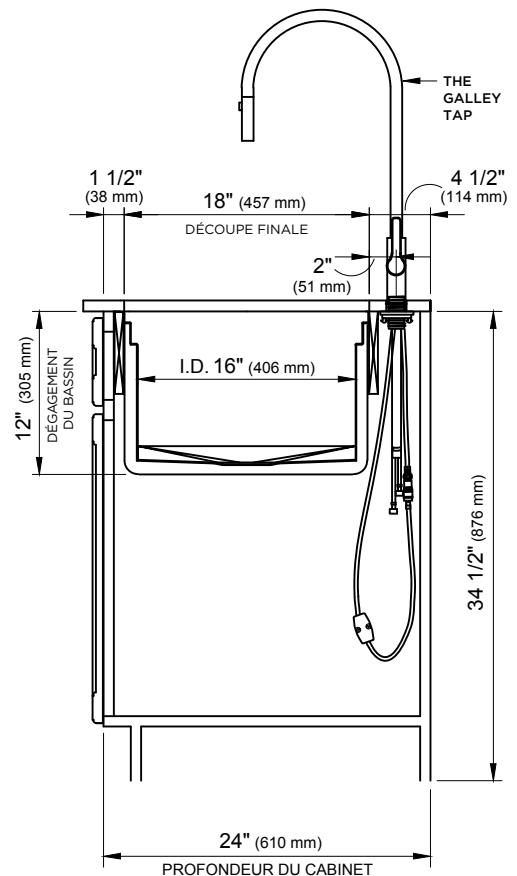
Avant de mettre le comptoir en place, assurez-vous que le bassin est parfaitement à angle droit dans l'armoire. Installez le comptoir et positionnez-le correctement. La découpe du comptoir doit être affleurante avec les quatre côtés du bassin, confirmée par une révélation nulle.

### ÉTAPE 4

Une fois le comptoir installé et la révélation nulle confirmée, retirez l'excès de silicone qui se trouve sur les brides collées avec un chiffon humide.

### ÉTAPE 5

Attendez environ une heure et retirez le ruban adhésif et les attaches du bassin. Cela laissera des lignes de silicone propres et uniformes le long des brides du bassin.



# The Galley Workstation.

## Garantie à vie limitée

**1. GARANTIE À VIE LIMITÉE DU GALLEY WORKSTATION** - Le vendeur offre une garantie à vie limitée. Le vendeur garantit que son évier en acier inoxydable, installé dans un environnement résidentiel, est exempt de tout défaut de fabrication au niveau des matériaux et de la main-d'œuvre dans le cadre d'une utilisation résidentielle normale. Cette garantie à vie limitée est assujettie aux conditions et aux limites de la garantie énoncées ci-dessous.

**2. CONDITIONS DE GARANTIE ET LIMITATIONS** - La garantie du vendeur n'est pas transférable et est strictement limitée aux produits correctement installés selon nos instructions d'installation et utilisés dans un environnement résidentiel. Cette garantie est limitée aux défauts ou dommages résultant d'une utilisation résidentielle normale et ne couvre pas la corrosion de surface (chimique ou naturelle, y compris l'exposition à l'air salin, aux embruns, aux pluies acides ou aux produits chimiques environnementaux), les éraflures ou les rayures, l'utilisation inappropriée, l'utilisation anormale ou abusive, les bosses, les déformations causées par l'impact de tout objet, l'installation, l'entretien et/ou une préservation inadéquats, une utilisation commerciale, les facteurs environnementaux causant des dommages, les dommages liés à l'expédition ou au transport, ou des signes courants d'usure normale (les rayures, les taches et l'attaque alcaline de la finition au fil du temps dues à l'utilisation, aux pratiques de nettoyage, à l'eau ou aux conditions atmosphériques ne sont pas des défauts de fabrication, mais indiquent une usure normale; toutefois, ces caractéristiques sont faciles à traiter). Cette garantie limitée est invalidée si le produit a été réparé, altéré ou modifié autrement que par le vendeur ou sous sa supervision. Le vendeur n'est pas responsable des frais de main-d'œuvre, d'installation ou d'autres frais occasionnels ou indirects. En aucun cas, la responsabilité du vendeur ne peut dépasser le prix d'achat du produit. Si le produit est installé en dehors de l'Amérique du Nord, le vendeur garantit que le produit est exempt de défauts de matériaux et de fabrication pendant un (1) an à compter de la date d'installation du produit, toutes les autres conditions de cette garantie s'appliquent, à l'exception de la durée. Si le produit n'a pas été acheté auprès du vendeur, d'un revendeur ou d'un distributeur agréé par le vendeur, cette garantie est annulée entièrement.

**3. OUTILS CULINAIRES** - Les accessoires culinaires (planche à découper, bols, passoire, plateformes, séparateurs, support de séchage et autres) ne sont pas garantis. Si un défaut est constaté dans le cadre d'un usage résidentiel normal, le vendeur, à son choix, réparera, remplacera ou effectuera les ajustements appropriés. Tous les articles en finition de bambou naturel ou noyer noir américain ne doivent pas être exposés de manière prolongée à la lumière directe du soleil ni être entreposés à l'extérieur.

**4. SOINS ET ENTRETIEN** - Pour les instructions d'entretien et de préservation pour tous les produits Galley, veuillez vous référer à la section « Utilisation et entretien » sur [thegalley.com](http://thegalley.com).

**5. RÉCLAMATIONS DE GARANTIE** - Ces garanties sont en vigueur pour les produits du vendeur achetés le 1er janvier 2015 et après. Pour les demandes de réclamation de garantie, veuillez communiquer avec votre détaillant agréé Galley, ou nous écrire à :

The Galley, LLC.  
Attn: Warranty Claims  
12626 South Memorial Drive  
Bixby, OK 74008

Veuillez inclure le reçu original avec une description du problème, le numéro de modèle, le magasin, la date d'achat, votre nom, votre adresse et votre numéro de téléphone.





Siège social

The Galley, LLC  
12626 South Memorial Drive  
Bixby, OK 74008  
800.375.4255  
[thegalley.com](http://thegalley.com)