



Use & Care Manual
Clothes Dryer

EN 2

Manuel d'utilisation et d'entretien
Sécheuse à Chargement Frontal

FR 49

Manual de uso y cuidado
Secadora de ropa

SP 101



electrolux.com/register

 **Electrolux**

2

IMPORTANT SAFETY INFORMATION

Please read and save this manual

Thank you for choosing Electrolux, our premium brand in home appliances. This *Use & Care Manual* is part of our commitment to customer satisfaction and product quality throughout the service life of your new appliance.

We view your purchase as the beginning of a relationship. To ensure our ability to continue serving you, please use this page to record important product information.

Keep a record for quick reference

Purchase date

Electrolux model number

Electrolux serial number

Electrolux model series*

*The series number can be found within the Model number (example ELFE7637AW = 600 series)

NOTE

Registering your product with Electrolux enhances our ability to serve you. You can register online at www.electrolux.com, by sending your Product Registration Card in the mail, or PHOTOREGISTERSM using a smart phone. See registration card for details.

TABLE OF CONTENTS

Important Safety Information.....	2
Features.....	8
Pre-Installation Requirements.....	9
Installation.....	18
Accessories and Replacement Parts.....	27
Controls and Settings.....	28
Operating Instructions.....	39
Normal Operating Sounds.....	41
Care and Cleaning.....	42
Troubleshooting.....	44
Limited Warranty.....	47

Questions?

For toll free telephone support or online support in the US and Canada contact:

U.S.

1-877-4ELECTROLUX (1-877-435-3287)
www.electrolux.com

Canada

1-800-265-8352
www.electrolux.ca

NOTE

The instructions appearing in this *Use & Care Manual* are not meant to cover every possible condition and situation that may occur. Common sense and caution must be practiced when installing, operating and maintaining any appliance.

READ ALL INSTRUCTIONS BEFORE OPERATING THIS DRYER.

SAVE THESE INSTRUCTIONS FOR FUTURE REFERENCE.

Important safety instructions - gas dryer

 WARNING**FIRE or explosion hazard**

Failure to follow safety warning exactly could result in serious injury, death, or property damage.

DO NOT store or use gasoline or other flammable vapors and liquids in the vicinity of this or any other appliance.

WHAT TO DO IF YOU SMELL GAS:

- **DO NOT try to light any appliance.**
- **DO NOT touch any electrical switch; DO NOT use any phone in your building.**
- **Clear the room, building or area of all occupants.**
- **Immediately call your gas supplier from a neighbor's phone. Follow the gas supplier's instructions.**
- **If you cannot reach your gas supplier, call the fire department.**

Installation and service must be performed by a qualified installer, service agency or the gas supplier.

 DANGER

If using Liquid Propane (LP), STOP and install the LP kit before operating your gas dryer.



WARNING RISK OF FIRE

- **Ensure the entire dryer exhaust system is clean and free of lint and debris prior to the installation of your new dryer. The entire exhaust system should be inspected and cleaned a minimum of every 18 months with normal usage. Failure to comply with cleaning your exhaust system will increase the RISK of FIRE.**
- DO NOT install a clothes dryer with flexible plastic or flexible foil venting material. Flexible venting materials are known to collapse, be easily crushed and trap lint. These conditions will obstruct clothes dryer airflow and increase the risk of fire.
- DO NOT screen the exhaust ends of the vent system, or use any screws, rivets or other fasteners that extend into the duct to assemble the exhaust system. NO screen or grate of any mesh size is allowed to cover the outdoor exhaust opening.
- Install the clothes dryer according to the manufacturer's instructions and local codes.
- Clothes dryer installation and service must be performed by a qualified installer, service agency or the gas supplier.
- The electrical service to the dryer must conform with local codes and ordinances and the latest edition of the National Electrical Code, ANSI/NFPA 70, or in Canada, the Canadian Electrical Code CSA C22.1 part 1.
- The gas service to the dryer must conform with local codes and ordinances and the latest edition of the National Fuel Gas Code ANSI Z223.1/NFPA 54, or in Canada, the Natural Gas and Propane Installation Code, CSA B149.1. An individual manual shutoff valve must be installed within 6 ft. (1.83 m) of the dryer in accordance with the National Fuel Gas Code, ANSI Z223.1/NFPA 54.
- DO NOT stack a dryer on top of washer already installed on pedestal. DO NOT stack washer on top of dryer. DO NOT stack washer on top of another washer.
- The dryer is designed under ANSI Z21.5.1/CSA 7.1 or UL 2158 - CAN/CSA C22.2 No. 112 (latest editions) for HOME USE only. This dryer is not recommended for commercial applications such as restaurants, beauty salons, etc.
- Destroy the carton and plastic bags after the dryer is unpacked. Children might use them to play. Cartons covered with rugs, bedspreads, or plastic sheets can become airtight chambers causing suffocation. Place all materials in a garbage container or make materials inaccessible to children.
- To reduce the risk of severe injury or death, follow all installation instructions in this manual.


The instructions in this manual and all other literature included with this dryer are not meant to cover every possible condition and situation that may occur. Good safe practice and caution **MUST** be applied when installing, operating and maintaining any appliance.



WARNING

For your safety, the information in this manual must be followed to minimize the risk of fire or explosion or to prevent property damage, personal injury or loss of life. DO NOT store or use gasoline or other flammable vapors and liquids in the vicinity of this or any other appliance.

Definitions

 This is the safety alert symbol. It is used to alert you to potential personal injury hazards. Obey all safety messages that follow this symbol to avoid possible injury or death.



DANGER

DANGER indicates an imminently hazardous situation which, if not avoided, will result in death or serious injury.



WARNING

WARNING indicates a potentially hazardous situation which, if not avoided, could result in death or serious injury.



CAUTION

CAUTION indicates a potentially hazardous situation which, if not avoided, may result in minor or moderate injury.



IMPORTANT

IMPORTANT indicates installation, operation or maintenance information which is important but not hazard-related.



WARNING

FIRE HAZARD

To reduce the risk of fire, electrical shock, or injury to persons when using this dryer, comply with the basic warnings listed below. Failure to comply with the Important Safety Instruction warnings could result in property damage, serious personal injury, or death.

Prevent fire

- DO NOT dry items that have been previously cleaned in, soaked in, or spotted with gasoline, cleaning solvents, kerosene, waxes, or other flammable or explosive substances. DO NOT store these items on or near the dryer. These substances give off vapors that could ignite or explode.
- DO NOT place items exposed to cooking oils in your dryer. Items contaminated with cooking oils may contribute to a chemical reaction that could cause a load to catch fire. To reduce the risk of fire due to contaminated loads, the final part of a tumble dryer cycle occurs without heat (cool down period). Avoid stopping a tumble dryer before the end of the drying cycle unless all items are quickly removed and spread out so that the heat is dissipated.
- DO NOT dry articles containing rubber, plastic or similar materials such as bras, galoshes, bath mats, rugs, bibs, baby pants, plastic bags and pillows that may melt or burn. Some rubber materials, when heated, can under certain circumstances produce fire by spontaneous combustion.
- DO NOT operate the dryer if the lint screen is blocked, damaged or missing. Fire hazard, overheating and damage to fabrics can occur.
- DO NOT obstruct the flow of ventilating air. DO NOT stack or place laundry or throw rugs against the front or back of the dryer.



WARNING

FIRE HAZARD

Clean the lint screen before or after each load. **The interior of the dryer, lint screen housing and exhaust duct should be cleaned approximately every 18 months by qualified service professional.** An excessive amount of lint build-up in these areas could result in inefficient drying and possible fire. See *Care and Cleaning*.



WARNING

FIRE HAZARD

A clothes dryer produces combustible lint. The dryer must be connected to an outdoor exhaust. Regularly inspect the outdoor exhaust opening and remove any accumulation of lint around the opening and in the surrounding area.

- DO NOT spray any type of aerosol into, on or near dryer at any time.

6

IMPORTANT SAFETY INFORMATION

- DO NOT use fabric softeners or products to eliminate static unless recommended by the manufacturer of the fabric softener or product.



WARNING

DO NOT continue to use the dryer if you hear squeaking, grinding, rubbing or other unusual noises. This could be a sign of mechanical breakdown and lead to fire or serious injury. **Contact a qualified technician immediately.**

- Failure to comply with these warnings could result in fire, explosion, serious bodily injury and/or damage to the dryer.

Protect children

- DO NOT allow children to play on or in the dryer. Close supervision of children is necessary when the dryer is used near children. As children grow, teach them the proper, safe use of all appliances.
- Destroy the carton, plastic bag and other packing materials after the dryer is unpacked. Children might use them for play. Cartons covered with rugs, bedspreads or plastic sheets can become airtight chambers.
- Keep laundry products out of children's reach. To prevent personal injury, observe all warnings on product labels.
- Before the dryer is removed from service or discarded, remove the dryer door to prevent accidental entrapment.
- Failure to comply with these warnings could result in serious personal injuries.

Risk of child entrapment

Child entrapment and suffocation are not problems of the past. Junked or abandoned washers and dryers are still dangerous – even if they will sit for “just a few days”. If you are getting rid of your old washer or dryer, please follow the instructions below to help prevent accidents.

We strongly encourage responsible appliance recycling/disposal methods. Contact your State/Providence Energy Office, Local Electric and Water Utilities or

Conservation Program Office or visit www.energystar.gov/recycle for more information on recycling your old washer or dryer.

Before you throw away your old washer or dryer:

- Remove doors
- Remove the electric power cord
- Secure all hoses and drain pipes to prevent water from leaking out and creating a slip hazard.

Prevent injury

- To prevent shock hazard and assure stability during operation, the dryer must be installed and electrically grounded by a qualified service person in accordance with local codes. Installation instructions are included in this manual for reference. Refer to the *installation sections* for detailed grounding procedures. If the dryer is moved to a new location, have it checked and reinstalled by a qualified service professional.
- To prevent personal injury or damage to the dryer, the electrical power cord of a gas dryer must be plugged into a properly grounded and polarized 3-prong outlet. The third grounding prong must never be removed. Never ground the dryer to a gas pipe. DO NOT use an extension cord or an adapter plug.
- ALWAYS disconnect the dryer from the electrical supply before attempting any service or cleaning. Failure to do so can result in electrical shock or injury.
- DO NOT use any type of spray cleanser when cleaning dryer interior. Hazardous fumes or electrical shock could occur.
- To prevent injury, DO NOT reach into the dryer if the drum is moving. Wait until the dryer has stopped completely before reaching into the drum.

Prevent injury and damage to the dryer

- All repairs and servicing must be performed by an authorized service provider unless specifically recommended in this *Use & Care Manual*. Use only authorized factory parts.
- DO NOT tamper with controls.
- DO NOT sit on, step on or stand on the dryer. DO NOT rest heavy loads on top. The dryer is not meant to support weight.

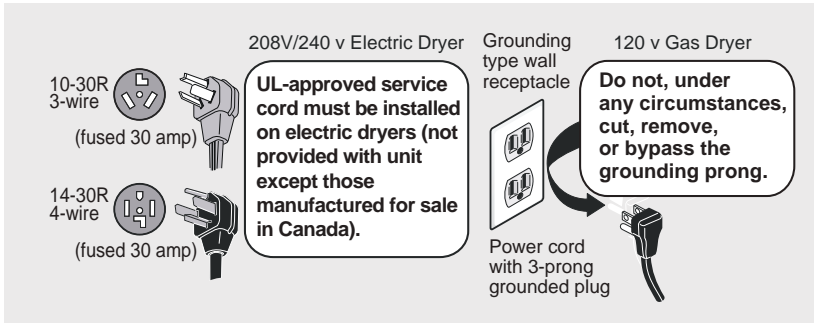
- DO NOT install or store the dryer where it will be exposed to standing water, dripping water or outdoor weather conditions.
- Thermal limiter switches automatically turn off the motor in the unlikely event of an overheated situation. A service technician must replace the thermal limiter switch(es) after correcting the fault
- Failure to comply with these warnings could result in serious personal injuries.
- Do not use replacement parts that have not been recommended by the manufacturer (e.g. parts made at home using a 3D printer).



WARNING

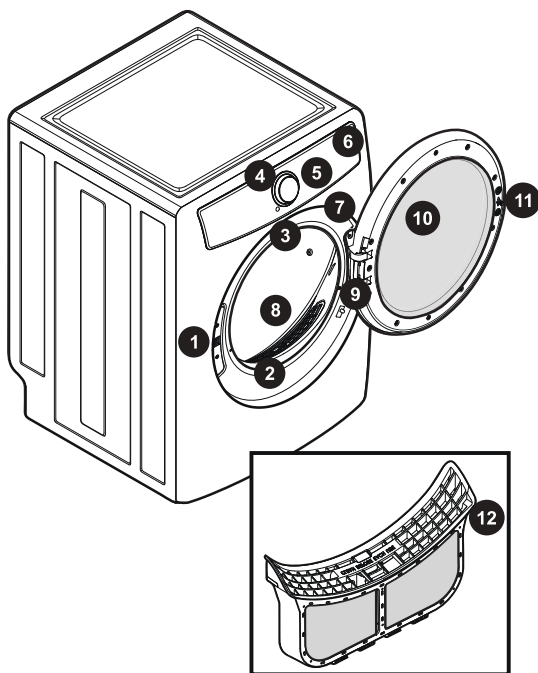
FIRE/ELECTRICAL SHOCK HAZARD

Avoid fire hazard or electrical shock. DO NOT use an adapter plug or extension cord or remove grounding prong from electrical power cord. Failure to follow this warning can cause serious injury, fire, or death.



8

FEATURES



Not all cycles, options, or features listed are available on every model.

1. Door Latch	7. Serial Number and Model Number
2. Front-Mounted Moisture Sensor (on select models)	8. 3 Drum Vanes
3. Drum Light (on select models)	9. Wide-Angle Door Hinge
4. Cycle Selector	10. Reversible Door
5. LED Display	11. Door Striker
6. Control Lock	12. LuxCare™ Lint Shield

Refer to the table below for an overview of features available for each model series.

	Anti Static	Perfect Steam	Wrinkle Release	Extended Tumble	Drum Light	Delay Time	Control Lock	Allergen	Wear it Again	Sanitize	Eco Dry	Fast Dry
300 Series	No	No	Yes	Yes	No	Yes	Yes	No	No	No	Yes	20 min
400 Series	No	Yes	Yes	Yes	Yes	Yes	Yes	No	No	Yes	Yes	18 min
500 Series	Yes	Yes	Yes	Yes	Yes	Yes	Yes	Yes	No	Yes	Yes	15 min
600 Series	Yes	Yes	Yes	Yes	Yes	Yes	Yes	Yes	No	Yes	Yes	15 min
700 Series	Yes	Yes	Yes	Yes	Yes	Yes	Yes	No	Yes	Yes	Yes	15 min



Installation Checklist

Exhaust Venting

- Free-flowing, clear of lint buildup
- 4 inch (102 mm) rigid metal or semi-rigid metal transition ducting of minimal length and turns
- NO foil or plastic venting material
- Approved vent hood exhausted to outdoors

Leveling

- Dryer is level, side-to-side and front-to-back
- Cabinet is sitting solid on all corners

Gas Supply (Gas Dryer)

- Manual shutoff valve present in supply
- All connections sealed with approved sealer and wrench tight
- Conversion kit for LP GAS system # PCK4200 (not included) and must be purchased separately
- Gas supply turned on
- No leaks present at all connections - check with soapy water, NEVER check with flame

Water Hookup (Select Models)

- Inspect hoses for proper placement of rubber washers
- Water supply is turned on

- Check for leaks
- Steam model dryers require use of ASSEMBLY HOSE Kit #5304495002 (not included) and must be purchased separately.

240v Electric Supply (Electric Dryer)

- Approved NEMA 10-30 or 14-30 service cord with all screws tight on terminal block
- Approved strain relief installed
- Terminal access cover installed before initial operation

Door Reversal

- Follow detailed instructions in this manual
- Test hinge and latch for function

Electrical Power

- House power turned on
- Dryer plugged in

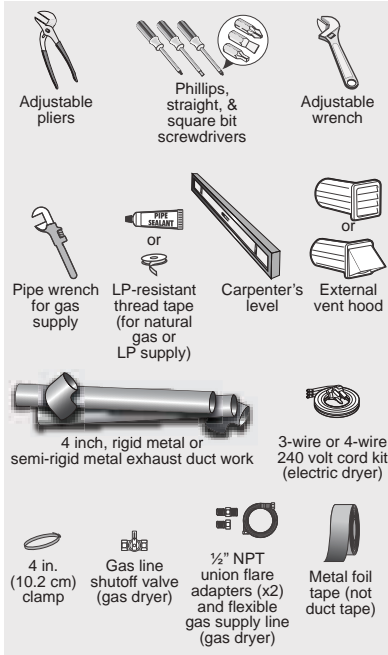
Final Checks

- Installation Instructions and Use & Care Manual read thoroughly
- Door latches and drum tumbles when cycle starts
- Registration card sent in

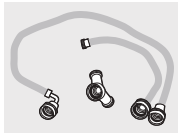
10

PRE-INSTALLATION REQUIREMENTS

Tools and materials needed for installation:



ASSEMBLY HOSE KIT - P/N 5304495002, for steam models only, is not included and must be purchased separately.



Electrical system requirements

NOTE

Because of potentially inconsistent voltage capabilities, the use of this dryer with power created by gas powered generators, solar powered generators, wind powered generators or any other generator other than the local utility company is not recommended.

Electrical requirements for electric dryer:

CIRCUIT - Individual 30 amp. branch circuit fused with 30 amp. time delay fuses or circuit breakers. Use separately fused circuits for washer and dryer. **DO NOT** operate washer and dryer on same circuit.

POWER SUPPLY - 3-wire or 4-wire, 120/240 volt, single phase, 60 Hz, Alternating Current

NOTE

A 120/208 volt, single phase, 60 Hz, Alternating Current supply may be used on dryers marked for use on rating plate.

NOTE

The electric dryer has been designed and certified to operate at both 240V and 208V. Drying times on a 208V power supply will, however, be approximately 20% longer than drying times on a 240V power supply. This is normal and expected behavior and applies to all drying cycles.

IMPORTANT

Dryer is internally grounded to neutral unless it was manufactured for sale in Canada.

Only a 4-conductor cord shall be used when the appliance is installed in a location where grounding through the neutral conductor is prohibited. Grounding through the neutral link is prohibited for: (1) new branch circuit installations, (2) mobile homes, (3) recreational vehicles, and (4) areas where local codes **DO NOT** permit grounding through the neutral.



WARNING

FIRE HAZARD

- Failure to follow safety warnings exactly could result in serious injury, death, or property damage.
- **DO NOT** install a booster fan in dryer exhaust duct.
- Install all clothes dryers in accordance with the installation instructions in this manual.

PRE-INSTALLATION REQUIREMENTS

3-wire power supply cord (not supplied)



**3-wire receptacle
(NEMA type 10-30R)**

The dryer MUST employ a 3-conductor power supply cord NEMA 10-30 type SRDT rated at 240 volt AC minimum, 30 amp, with 3 open end spade lug connectors with upturned ends or closed loop connectors and marked for use with clothes dryers. For 3-wire cord connection instructions see "Electrical connection (non-Canada) - 3-wire cord" in Electrical Installation section.

OUTLET RECEPTACLE - NEMA 10-30R receptacle to be located so the power supply cord is accessible when the dryer is in the installed position.

GROUNDING CONNECTION - See "Grounding requirements" in Electrical Installation section.

4-wire power supply cord (not supplied)



**4-wire receptacle
(NEMA type 14-30R)**

The dryer MUST employ a 4-conductor power supply cord NEMA 14-30 type SRDT or DRT (as required) rated at 240 volt AC minimum, 30 amp, with 4 open end spade lug connectors with upturned ends or closed loop connectors and marked for use with clothes dryers. For 4-wire cord connection instructions see "Electrical connection (non-Canada) - 4-wire cord" in Electrical Installation section.



NOTE

Dryers manufactured for sale in Canada have factory-installed, 4-wire power supply cord (NEMA 14-30).

OUTLET RECEPTACLE - NEMA 14-30R receptacle to be located so the power supply cord is accessible when the dryer is in the installed position.

GROUNDING CONNECTION - See "Grounding requirements" in Electrical Installation section.

Electrical requirements for gas dryer:

CIRCUIT - Individual, properly polarized and grounded 15 amp. branch circuit fused with 15 amp. time delay fuse or circuit breaker.

POWER SUPPLY - 2-wire, with ground, 120 volt, single phase, 60 Hz, Alternating Current.

POWER SUPPLY CORD - Dryer is equipped with 120 volt 3-wire power cord.

GROUNDING CONNECTION - See "Grounding requirements" in Electrical Installation section.



WARNING

Improper grounding of the dryer may cause serious injury or death. Check with a licensed electrician if you are in doubt as to whether the appliance is properly grounded.

Grounding type wall receptacle



Do not, under any circumstances, cut, remove, or bypass the grounding prong.

Power cord with 3-prong grounded plug

Gas supply requirements



WARNING

EXPLOSION HAZARD

Uncoated copper tubing will corrode when subjected to natural gas, causing gas leaks. Use **ONLY** black iron, stainless steel, or plastic-coated brass piping for gas supply.

12

PRE-INSTALLATION REQUIREMENTS

1. The gas service to the dryer must conform with local codes and ordinances and the latest edition of the National Fuel Gas Code ANSI Z223.1/
2. NFPA 54, or in Canada, the Natural Gas and Propane Installation Code, CSA B149.1.
3. The gas supply line should be 1/2 inch (1.27 cm) pipe.
4. If codes allow, flexible metal tubing may be used to connect your dryer to the gas supply line. The tubing **MUST** be constructed of stainless steel or plastic-coated brass.
5. The gas supply line **MUST** have an individual shutoff valve installed in accordance with the B149.1, Natural Gas and Propane Installation Code.
6. A 1/8 inch (0.32 cm) N.P.T. plugged tapping, accessible for test gauge connection, **MUST** be installed immediately upstream of the gas supply connection to the dryer.
7. The dryer **MUST** be disconnected from the gas supply piping system during any pressure testing of the gas supply piping system at test pressures in excess of 1/2 psig (3.45 kPa).
8. The dryer **MUST** be isolated from the gas supply piping system during any pressure testing of the gas supply piping system at test pressures equal to or less than 1/2 psig (3.45 kPa).
9. Connections for the gas supply must comply with the Standard for Connectors for Gas Appliances, ANSI Z21.24/CSA 6.10.

Exhaust system requirements

Use only 4 inch (102 mm) diameter (minimum) rigid or semi rigid metal duct and approved vent hood which has a swing-out damper or dampers that open when the dryer is in operation. When the dryer stops, the damper or dampers automatically close to prevent drafts and the entrance of insects and rodents. To avoid restricting the outlet, maintain a minimum of 12 inches (30.5 cm) clearance between the vent hood and the ground or any other obstruction.



WARNING

FIRE HAZARD

Failure to follow these instructions can create excessive drying times and fire hazards.

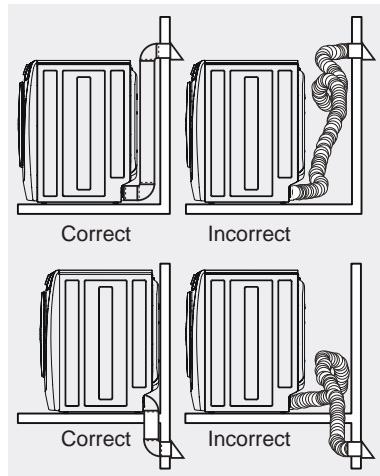
The following are specific requirements for proper and safe operation of your dryer.



WARNING

FIRE HAZARD

- Failure to follow safety warnings exactly could result in serious injury, death, or property damage.
- **DO NOT** install a booster fan in dryer exhaust duct.
- Install all clothes dryers in accordance with the installation instructions in this manual.





WARNING

FIRE HAZARD

- A clothes dryer must be exhausted outdoors.
- **DO NOT** exhaust dryer into a chimney, a wall, a ceiling, an attic, a crawl space or any concealed space of a building.
- A clothes dryer produces combustible lint. If the dryer is not exhausted outdoors, some fine lint will be expelled into the laundry area. An accumulation of lint in any area of the home can create a health and fire hazard.
- The dryer must be connected to an exhaust outdoors.
- Regularly inspect the outdoor exhaust opening and remove any accumulation of lint around the outdoor exhaust opening and in the surrounding area.



WARNING

FIRE HAZARD

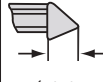
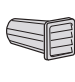
- **DO NOT** allow combustible materials (for example: clothing, draperies/curtains, paper) to come in contact with exhaust system. The dryer **MUST NOT** be exhausted into any gas vent a chimney, a wall, a ceiling, or any concealed space of a building which can accumulate lint, resulting in a fire hazard.
- **DO NOT** screen the exhaust ends of the vent system, or use any screws, rivets or other fasteners that extend into the duct to assemble the exhaust system. **No screen, grate, or guard of any mesh size is allowed to cover the exhaust opening. Lint can become caught in the screen, grate, guard, or on the screws or rivets, clogging the duct work and creating a fire hazard as well as increasing drying times.** Use an approved vent hood to terminate the duct outdoors, and seal all joints with metal foil tape. All male duct pipe fittings **MUST** be installed downstream with the flow of air.



WARNING

FIRE HAZARD

Never exceed more than 4-90° elbows in the exhaust duct system. Exceeding the length of duct pipe or number of elbows allowed in the "MAXIMUM LENGTH" charts can cause an accumulation of lint in the exhaust system. Plugging the system could create a fire hazard, as well as increase drying times.

Max. Number of 90° turns	MAXIMUM LENGTH of 4" (102 mm) Rigid Metal Duct	
	VENT HOOD TYPE	
	(Preferred)	
		
	4" (10.2 cm)	louvered 2.5" (6.35 cm)
0	125 ft. (38 m)	110 ft. (33.5 m)
1	115 ft. (35 m)	100 ft. (30.5 m)
2	105 ft. (32 m)	90 ft. (27.5 m)
3	95 ft. (29 m)	80 ft. (24.5 m)
4	85 ft. (26 m)	70 ft. (21.5 m)



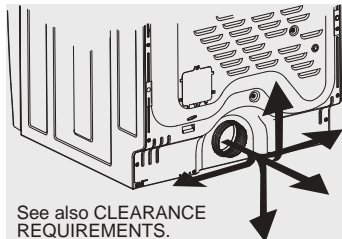
WARNING

FIRE HAZARD

- **DO NOT** install flexible plastic or flexible foil venting material.
- **DO NOT** exceed 8 ft. (2.4 m) duct length if installing semi-rigid venting.
- **DO NOT** use screws, rivets or other fasteners that extend into the duct to assemble the exhaust system.

Exhaust direction

Directional exhausting can be accomplished by installing a quick-turn 90° dryer vent elbow directly to exhaust outlet of dryer. Dryer vent elbows are available through your local parts distributor or hardware store.



See also CLEARANCE REQUIREMENTS.

14

PRE-INSTALLATION REQUIREMENTS

NOTE

Use of 90° quick-turn elbow required to meet minimum installation depth.



WARNING

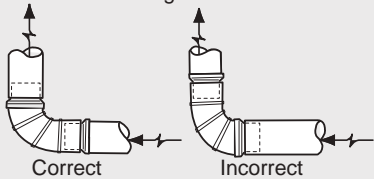
FIRE HAZARD

DO NOT install the dryer where gasoline or other flammables are kept or stored. If the dryer is installed in a garage, it must be a minimum of 18 inches (45.7 cm) above the floor. Failure to do so can result in death, explosion, fire or burns.

In installations where the exhaust system is not described in the charts, the following method must be used to determine if the exhaust system is acceptable:

1. Connect an inclined or digital manometer between the dryer and the point the exhaust connects to the dryer.
2. Set the dryer timer and temperature to **air fluff** (cool down) and start the dryer.
3. Read the measurement on the manometer.
4. The system back pressure **MUST NOT** be higher than 1.0 inch of water column. If the system back pressure is less than 1.0 inch of water column, the system is acceptable. If the manometer reading is higher than 1.0 inch of water column, the system is too restrictive and the installation is unacceptable.

Install male fittings in correct direction:



Although vertical orientation of the exhaust system is acceptable, certain extenuating circumstances could affect the performance of the dryer:

- Only the rigid metal duct work should be used.
- Venting vertically through a roof may expose the exhaust system to down drafts causing an increase in vent restriction.

- Running the exhaust system through an uninsulated area may cause condensation and faster accumulation of lint.
- Compression or crimping of the exhaust system will cause an increase in vent restriction.
- **The exhaust system should be inspected and cleaned a minimum of every 18 months with normal usage.** The more the dryer is used, the more often you should check the exhaust system and vent hood for proper operation and that it is free of obstructions.

Manufactured or mobile home installation

1. Installation **MUST** conform to current Manufactured Home Construction & Safety Standard, Title 24 CFR, Part 32-80 (formerly the Federal Standard for Mobile Home Construction and Safety for Mobile Homes, Title 24, HUD Part 280) or Standard CAN/CSAZ240 MH.
2. Dryer **MUST** be exhausted outside (outdoors, not beneath the mobile home) using metal ducting that will not support combustion. Metal ducting must be 4 inches (10.16 cm) in diameter with no obstructions. Rigid metal duct is preferred.
3. If dryer is exhausted through the floor and area beneath the mobile home is enclosed, the exhaust system **MUST** terminate outside the enclosure with the termination securely fastened to a non-combustible portion of the mobile home structure.
4. Refer to previous sections in this manual for other important exhaust venting system requirements.
5. When installing a gas dryer into a mobile home, a provision must be made for outside make up air. This provision is to be not less than twice the area of the dryer exhaust outlet.
6. Installer **MUST** anchor this (1) dryer or (2) dryer mounted on pedestal to the floor with approved Mobile Home Installation Kit - P/N 137067200.

Clearance requirements



IMPORTANT

DO NOT INSTALL YOUR DRYER:

1. In an area exposed to standing water, dripping water, or outside weather conditions.
2. In an area where it will come in contact with curtains, drapes, or anything that will obstruct the flow of combustion and ventilation air.
3. On carpet. Floor **MUST** be solid with a maximum slope of 1 inch (2.5 cm)

Installation in a recess or closet

1. A dryer installed in a recess or closet, **MUST** be exhausted outdoors.
2. No other fuel burning appliance shall be installed in the same recess or closet as a gas dryer.
3. Your dryer needs space around it for proper ventilation. See "Clearance Requirements" chart
4. A minimum of 120 square inches of inlet ventilation opening to the recess or closet is required for proper air flow to the dryer.
5. Inlet air ventilation to the recess or closet can be satisfied by adding 120 square inches of opening, equally divided at the top and bottom of the door and located 3 inches from the bottom and top of the door.

or, adding 120 square inches of ventilation openings to the top, sides or rear wall of the closet wall, if the wall is adjacent to an open room, hallway, or exterior.

or, a louvered door with equivalent air openings equaling 120 sq. inches of ventilation for the full length of the door is acceptable.

It is **NOT** approved to derive the 120 sq. inches of ventilation from the space between the door edges and the casing or the floor.

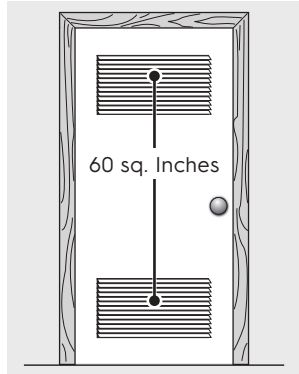
** The presence of forced heating and air-conditioning vent openings in the closet does **NOT** satisfy the 120 square inch ventilation requirement to the closet.



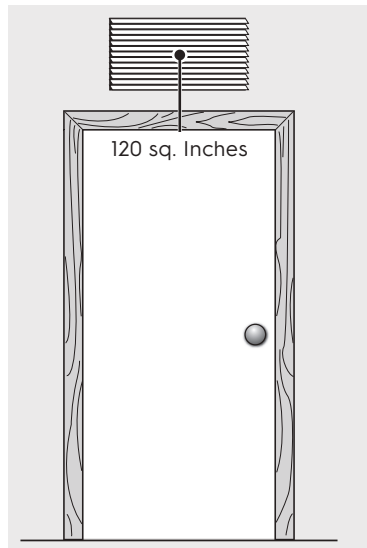
NOTE

To achieve an installation with 0" (0 cm) clearance for the back of the dryer (for other than straight back venting), a quick-turn 90° dryer vent elbow must be installed as described previously in this manual.

For other than straight back venting, a quick-turn 90° dryer vent elbow must be installed to achieve 0" (0 cm) installation.



120 sq. Inches Equally Divided Split Vent Door

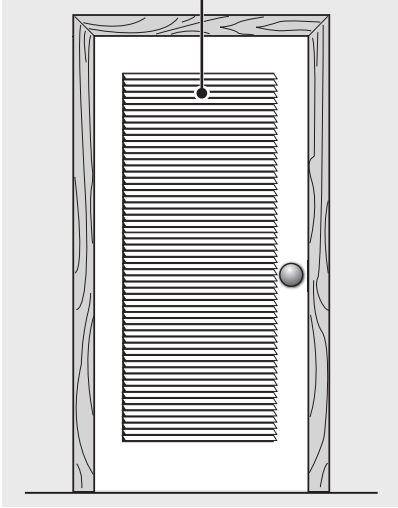


Solid Door with Wall Ventilation

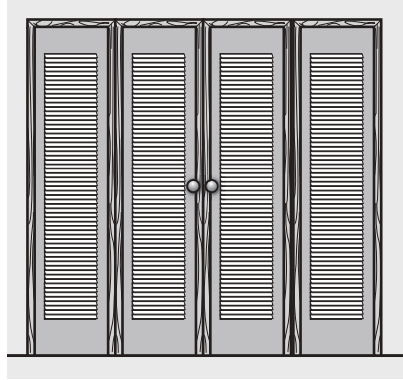
16

PRE-INSTALLATION REQUIREMENTS

120 sq. Inches min.
Louvered Opening

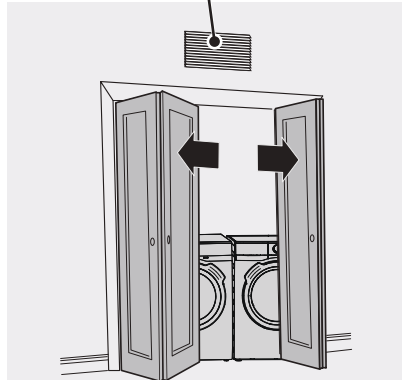


Louvered Door



Bi-Fold louvered doors with
120 sq. in of ventilation

120 sq. Inches of
wall venting

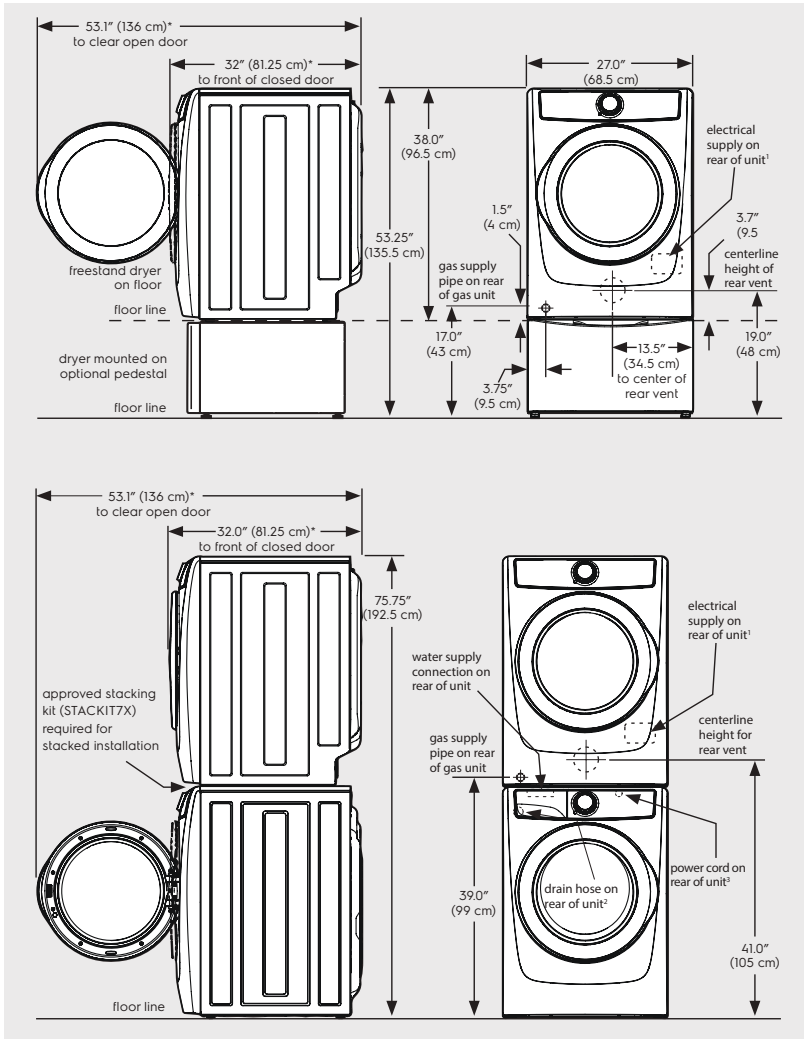


Solid Bi-Fold doors with no
ventilation

MIN INSTALLATION CLEARANCES - Inches (cm)

	Sides	Rear	Top	Front
Alcove/ recess	0" (0 cm)	0" (0 cm)	0" (0 cm)	Open
Closet with door vent	0" (0 cm)	0" (0 cm)	0" (0 cm)	1" (2.5 cm)
Closet with wall vent	1" (2.5 cm)	1" (2.5 cm)	1" (2.5 cm)	1" (2.5 cm)

Dryer dimensions



* Connection of water inlet hose on steam dryer adds 3/4 in. (2 cm) to installation depth.

¹ Power supply cord length on gas dryer or electric Canadian dryer approximately 60 inches (152.5 cm).

² Drain hose length on washer approximately 59 inches (150 cm).

³ Power supply cord length on washer approximately 60 inches (152.5 cm).

18

INSTALLATION

Connecting the electrical system

The following are specific requirements for proper and safe electrical installation of your dryer. Failure to follow these instructions can create electrical shock and/or a fire hazard.



WARNING

ELECTRICAL SHOCK HAZARD

- This appliance **MUST** be properly grounded. Electrical shock can result if the dryer is not properly grounded. Follow the instructions in this manual for proper grounding.
- **DO NOT** use an extension cord with this dryer. Some extension cords are not designed to withstand the amounts of electrical current this dryer utilizes and can melt, creating electrical shock and/or fire hazard. Locate the dryer within reach of the receptacle for the length power cord to be purchased, allowing some slack in the cord. Refer to the *Pre-Installation Requirements* section of this manual for the proper power cord to be purchased.



WARNING

ELECTRICAL SHOCK HAZARD

- A U.L.-approved strain relief must be installed onto power cord. If the strain relief is not attached, the cord can be pulled out of the dryer and can be cut by any movement of the cord, resulting in electrical shock.
- **DO NOT** use an aluminum wired receptacle with a copper wired power cord and plug (or vice versa). A chemical reaction occurs between copper and aluminum and can cause electrical shorts. The proper wiring and receptacle is a copper wired power cord with a copper wired receptacle.



NOTE

Dryers operating on 208 volt power supply will have longer drying times than dryers operating on 240 volt power supply.

The dryer, when installed, must be electrically grounded in accordance with local codes and the National Electrical code ANSI/NFPA 70 or the Canadian Electrical Code, Part 1, CSA C22.1.

Grounding requirements - electric dryer (USA)



WARNING

Improper grounding of the dryer may cause serious injury or death. Check with a licensed electrician if you are in doubt as to whether the appliance is properly grounded.

For a grounded, cord-connected dryer:

1. The dryer **MUST** be grounded. In the event of a malfunction or breakdown, grounding will reduce the risk of electrical shock by providing a path of least resistance for electrical current.
2. After you purchase and install a 3-wire or 4-wire power supply cord having an equipment-grounding conductor and a grounding plug that matches your wiring system, the plug **MUST** be plugged into an appropriate, copper wired receptacle that is properly installed and grounded in accordance with all local codes and ordinances. If in doubt, call a licensed electrician.
3. **DO NOT** modify the plug you've installed on this appliance. If it will not fit the outlet, have a proper outlet installed by a qualified electrician.

For a permanently connected dryer:

The dryer **MUST** be connected to a grounded metal, permanent wiring system; or an equipment grounding conductor must be run with the circuit conductors and connected to the equipment-grounding terminal or lead on the appliance.

Grounding requirements - electric dryer (Canada)



WARNING

Improper grounding of the dryer may cause serious injury or death. Check with a licensed electrician if you are in doubt as to whether the appliance is properly grounded.

For a grounded, cord-connected dryer:

1. The dryer **MUST** be grounded. In the event of a malfunction or breakdown, grounding will reduce the risk of electrical shock by providing a path of least resistance for electrical current.
2. Since your dryer is equipped with a power supply cord having an equipment-grounding conductor and a grounding plug, the plug must be plugged into an appropriate outlet that is properly installed and grounded in accordance with all local codes and ordinances. If in doubt, call a licensed electrician.
- 3 **DO NOT** modify the plug provided with this appliance. If it will not fit the outlet, have a proper outlet installed by a qualified electrician.

Grounding requirements - gas dryer

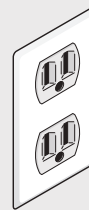
1. The dryer is equipped with a three-prong (grounding) plug for your protection against shock hazard and should be plugged directly into a properly grounded three-prong receptacle.
2. The plug must be plugged into an appropriate outlet that is properly installed and grounded in accordance with all local codes and ordinances. If in doubt, call a licensed electrician.
- 3 **DO NOT** modify the plug provided with this appliance. If it will not fit the outlet, have a proper outlet installed by a qualified electrician.



WARNING

Improper grounding of the dryer may cause serious injury or death. Check with a licensed electrician if you are in doubt as to whether the appliance is properly grounded.

Grounding type wall receptacle



Do not, under any circumstances, cut, remove, or bypass the grounding prong.

Power cord with
3-prong grounded plug



20 INSTALLATION

Electrical connection (non-Canada) - 3 wire cord



3-wire receptacle
(NEMA type 10-30R)



WARNING

ELECTRICAL SHOCK HAZARD

Failure to disconnect power source before servicing could result in personal injury or even death.



WARNING

ELECTRICAL HAZARD

Label all wires prior to disconnection when servicing controls. Wiring errors can cause improper and dangerous operation. Verify proper operation after servicing.

1. Turn off power supply to outlet
2. Remove the screw securing the terminal block access cover in the lower corner on the back of the dryer.
3. Install a UL-approved strain relief according to the power cord/strain relief manufacturer's instructions in the power cord entry hole below the access panel. At this time, the strain relief should be loosely in place.
4. Thread an UNPLUGGED, UL-approved, 30 amp. power cord, NEMA 10-30 type SRDT, through the strain relief.
5. Attach the power cord neutral (center wire) conductor to the SILVER colored center terminal on the terminal block. Tighten the screw securely.
6. Attach the remaining two power cord outer conductors to the outer, BRASS colored terminals on the terminal block. Tighten both screws securely.



WARNING

ELECTRICAL SHOCK HAZARD

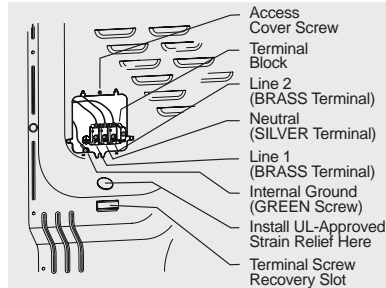
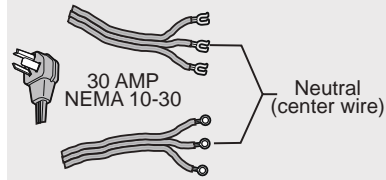
DO NOT make a sharp bend or crimp wiring/conductor at connections.

7. Follow manufacturer's guidelines for firmly securing the strain relief and power cord.
8. Reinstall the terminal block cover.



IMPORTANT

If moving dryer from a 4-wire system and installing it in a 3-wire system, move the internal ground from the center terminal back to the GREEN screw next to the terminal block.

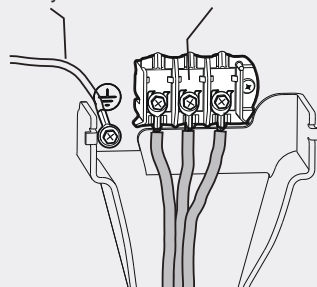


NOTE

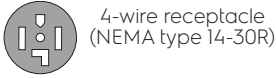
If a terminal screw falls during cord installation, it can be retrieved in the terminal screw recovery slot below the access panel.

DO NOT remove internal ground in a 3-wire system!!

Neutral terminal



**Electrical connection
(non-Canada) - 4 wire cord**



WARNING

ELECTRICAL SHOCK HAZARD

Failure to disconnect power source before servicing could result in personal injury or even death.

WARNING

ELECTRICAL HAZARD

Label all wires prior to disconnection when servicing controls. Wiring errors can cause improper and dangerous operation. Verify proper operation after servicing.

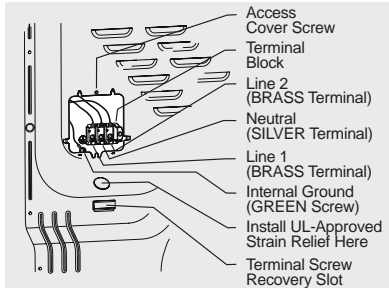
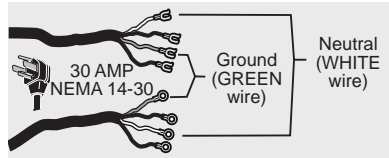
1. Turn off power supply to outlet.
2. Remove the screw securing the terminal block access cover in the lower corner on the back of the dryer.
3. Install a UL-approved strain relief according to the power cord/strain relief manufacturer's instructions in the power cord entry hole below the access panel. At this time, the strain relief should be loosely in place.
4. Thread an UNPLUGGED, UL-approved, 30 amp. power cord, NEMA 14-30 type DRT or SRDT, through the strain relief.
5. Disconnect the internal (WHITE) dryer harness ground wire from the (GREEN) ground screw next to terminal block.
6. Attach the ground (GREEN) power cord wire to the cabinet with the ground (GREEN) screw. Tighten the screw securely.
7. Move the internal dryer harness ground (WHITE) wire to the terminal block and attach it along with the neutral (WHITE) power cord wire conductor to center, SILVER colored terminal on the terminal block. Tighten the screw securely.
8. Attach the RED and BLACK power cord conductors to the outer, BRASS colored terminals on the terminal block. Tighten both screws securely.

WARNING

ELECTRICAL SHOCK HAZARD

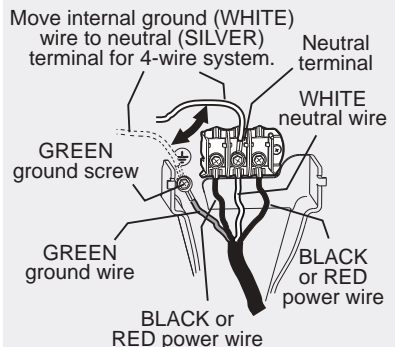
DO NOT make a sharp bend or crimp wiring/conductor at connections.

9. Follow manufacturer's guidelines for firmly securing the strain relief and power cord.
10. Reinstall the terminal block cover.



NOTE

If a terminal screw falls during cord installation, it can be retrieved in the terminal screw recovery slot below the access panel.



22 INSTALLATION

Connecting the gas

This gas dryer comes from the factory with natural gas burner components installed. DO NOT operate this gas dryer, using LP (liquid propane) gas, unless the LP gas conversion kit has been properly installed by a qualified service personnel. Improper gas installation or LP conversion kit installation could result in injury or even death.

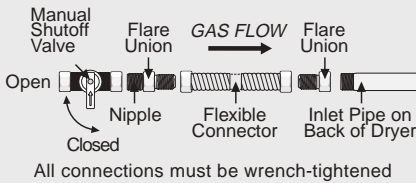
1. Remove the shipping cap from gas pipe at the rear of the dryer.



WARNING

DO NOT connect the dryer to L.P. gas service without converting the gas valve. An L.P. conversion kit PN# PCK4200 (not included) **must be installed by a qualified gas technician.**

2. Connect a 1/2 inch (1.27 cm) I.D. semi-rigid or approved pipe from gas supply line to the 3/8 inch (0.96 cm) pipe located on the back of the dryer. Use a 1/2 inch to 3/8 inch (1.27 cm to 0.96 cm) reducer for the connection. Apply an approved thread sealer that is resistant to the corrosive action of liquefied gases on all pipe connections.

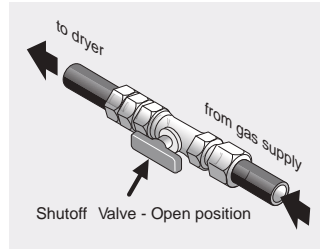


3. Open the shutoff valve in the gas supply line to allow gas to flow through the pipe. Wait a few minutes for gas to move through the gas line.



IMPORTANT

The supply line must be equipped with an approved manual shutoff valve. This valve should be located in the same room as the dryer and should be in a location that allows ease of opening and closing. **DO NOT** block access to the gas shutoff valve.



4. Check for gas system leaks with a manometer. If a manometer is not available, test all connections by brushing on a soapy water solution.



WARNING

EXPLOSION HAZARD

NEVER test for gas leaks with an open flame.



IMPORTANT

Installation to the gas service must follow local codes and ordinances and the latest edition of the National Fuel Gas Code ANSI Z223.1/NFPA 54 or in Canada, CSA B149.1.

Connecting the water (steam models only)



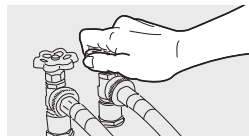
WARNING

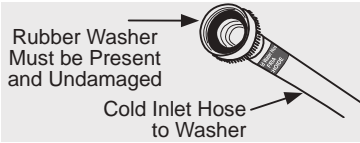
Periodically inspect all water inlet hoses for water leaks, wear, cuts, corrosion and bulges. Replace all hoses, if any sign of the above is visible. All hoses should be replaced every 5 years to reduce the risk of hose failures.

Water supply requirements

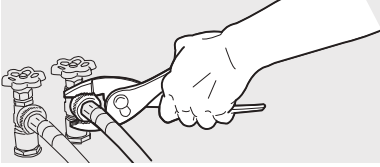
Cold water faucet MUST be installed within 42 inches (107 cm) of your dryer's water inlet. The faucet MUST be 3/4 inch (1.9 cm) with threading for laundry hose connection. Water pressure MUST be between 20 and 120 psi. Your water department can advise you of your water pressure.

1. Turn off COLD water supply to washer.





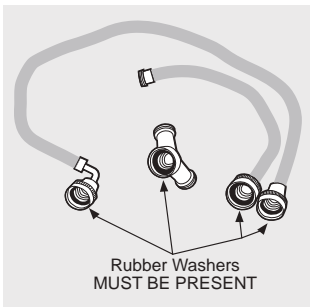
- Remove COLD inlet hose from COLD water supply and inspect for rubber washer. Replace washer if it is torn or worn out.



- Turn on COLD supply and run water to clear any contaminants in the line.



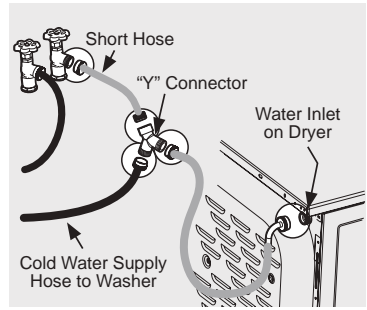
- Inspect hose couplings for proper placement of rubber washers. Use hoses from ASSEMBLY HOSE KIT# 5304495002 (not included).



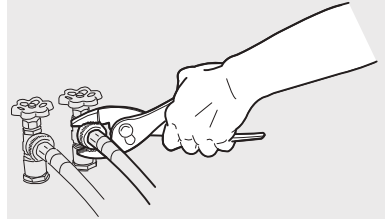
- If your installation has room for the COLD water supply to accept the "Y" connector directly, thread the "Y" connector to the COLD water supply and snug it by hand; then tighten it another 2/3 turn with pliers.

NOTE

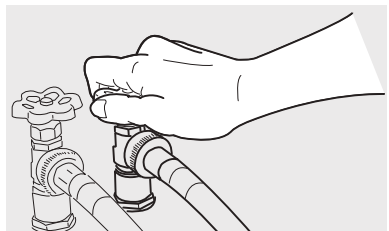
If you were able to install the "Y" connector directly to the COLD water supply, please skip to step 8.



- If there is not room to install the "Y" connector directly, thread the short extension hose on to the COLD water supply and snug it by hand; then tighten it another 2/3 turn with pliers.



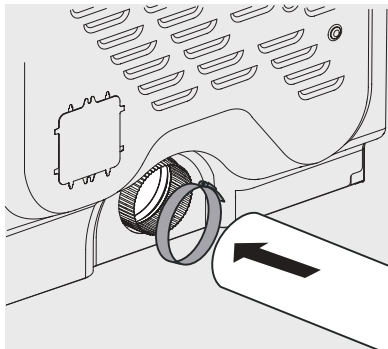
- Thread the "Y" connector to the short extension hose and snug it by hand; then tighten it another 2/3 turn with pliers.
- Connect the COLD inlet hose for the washer to the "Y" connector and snug it by hand; then tighten it another 2/3 turn with pliers.
- Connect the straight end of the long hose from the kit to the other outlet on the "Y" connector and snug it by hand. Connect the hose's 90° coupling to the brass water inlet on the back of the dryer and snug it by hand. Tighten each connection of the dryer inlet hose another 2/3 turn with pliers.
- Turn on the water and check for leaks at all connections.



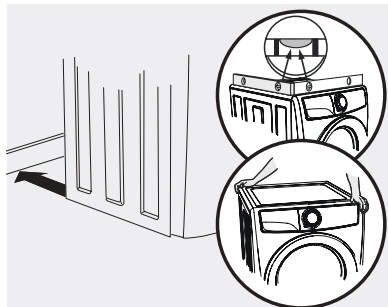
24 INSTALLATION

Completing the installation

1. Connect the exhaust duct to the outside exhaust system. Use of a 4" (102 mm) clamp (item A) is recommended to connect the dryer to the exhaust vent system. Use metal foil tape to seal all other joints.



2. Use a carpenter's level to level your dryer front-to-back and side-to-side.
3. Use adjustable pliers to adjust the leveling legs so the dryer is level front-to-rear and side-to-side, and stable corner-to-corner.



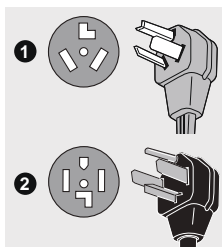
4. Press down on alternate corners and sides and feel for the slightest movement. Adjust the appropriate leg(s) so the dryer sits solidly on the floor on ALL four legs. Keep the leveling leg extension at a minimum for best performance of the dryer.

5. Plug the power cord into a grounded outlet.



WARNING

Improper grounding of the dryer may cause serious injury or death. Check with a licensed electrician if you are in doubt as to whether the appliance is properly grounded.



WARNING

Do not store combustible materials, gasoline, and other flammable vapors and liquids near this dryer.

6. Turn on the power at the circuit breaker/fuse box.
7. Read the Use & Care Manual provided with the dryer. It contains valuable and helpful information that will save you time and money.
8. If you have any questions during initial operation, please review the "Avoid Service Checklist" in your Use & Care Manual before calling for service.
9. Place these instructions in a location near the dryer for future reference.



NOTE

A wiring diagram and technical data sheet are located under the dryer top panel.



IMPORTANT

Be sure the power is off at a circuit breaker/fuse box before plugging the power cord into an outlet.



CAUTION

When discarding or storing your old dryer, remove the door.

Reversing the door

NOTE

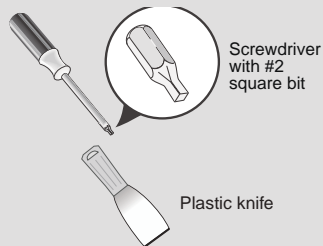
Door reversibility is available on all dryer models.

IMPORTANT

BEFORE YOU REVERSE YOUR DRYER DOOR:

1. Be sure you have adequate swing area before reversing door.
2. Gather your tools - including a screw driver with a #2 square bit and plastic knife (or small, flat prying tool that won't damage paint).
3. Be sure dryer is unplugged from power source!

Tools needed for reversal:



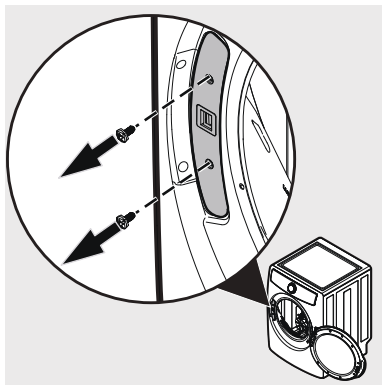
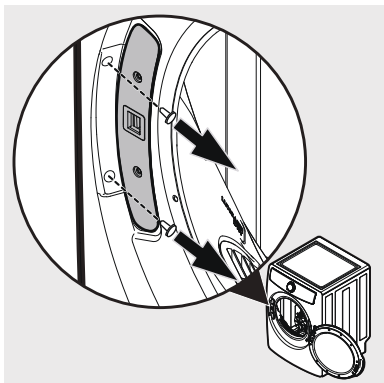
WARNING

ELECTRICAL SHOCK HAZARD

Failure to disconnect power source before servicing could result in personal injury or even death.

Removing latch and hole plugs

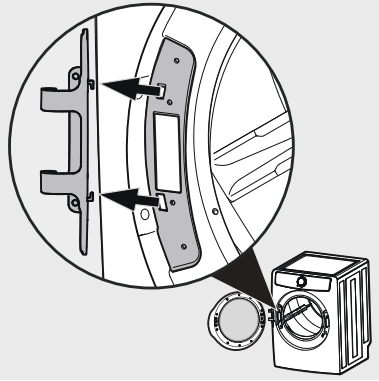
1. Open the door.
2. Remove plastic hole plugs and save to reinstall later. You may have to use a non-scratching plastic knife if you are unable to dislodge the plugs manually.
3. Remove both screws from door latch. Save latch and screws for reinstallation later.



26 INSTALLATION

Removing door assembly

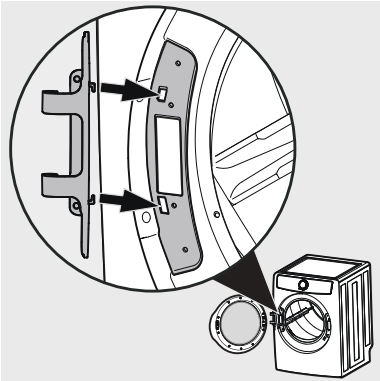
1. Completely open the door to expose all four hinge screws.
2. Remove all four hinge screws with #2 square bit driver. Save for reinstalling later.



3. Grasp the door with both hands and lift slightly as you pull door and hinge away from the front panel.

Reinstalling door assembly

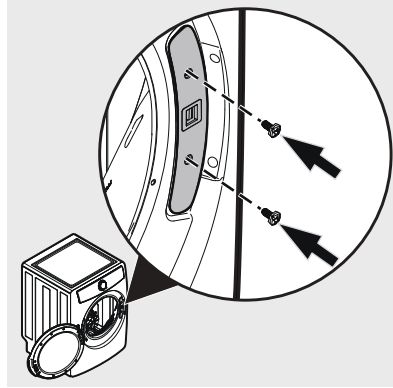
1. Rotate the door and hang the upper hook on the back of the hinge in the upper hole of the front panel.



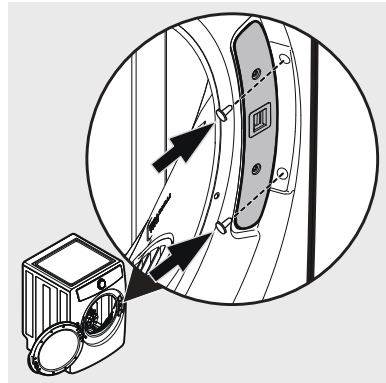
2. Reinstall and tighten all four screws removed earlier - two front screws first, then two side screws.

Reinstalling latch and hole plugs

1. Install door latch with screws removed earlier.



2. Insert plastic hole plugs removed earlier.



Verify reversed door operation

1. Test door for free, smooth swinging operation and secure latching when closed.
2. Plug in dryer and close the door. Start a test cycle: drum should tumble until door is pulled open or cycle is paused or canceled.

Accessories

MATCHING STORAGE PEDESTAL*

White Pedestal - P/N EPWD257UIW

Titanium Pedestal - P/N EPWD257UTT

A storage pedestal accessory, specifically designed for this dryer may be used to elevate the dryer for ease of use. This pedestal will add about 15" (38 cm) to the height of your unit.

*Other colors may be available. Contact the source where you purchased your dryer.

DRYER STACKING KIT

P/N STACKIT7X

Depending on the model you purchased, a kit for stacking a matching dryer on top of this washer may have been included in the initial purchase of your dryer. If your model did not include a stacking kit or you desire another stacking kit, you may order one.

LP CONVERSION KIT

P/N PCK4200

Gas dryers intended for use in a location supplied with LP must use a conversion kit prior to installation.

MOBILE HOME INSTALLATION KIT

P/N 137067200

Installations in mobile homes require use of MOBILE HOME INSTALLATION KIT.

UNIVERSAL APPLIANCE WRENCH

P/N 137019200

A UNIVERSAL APPLIANCE WRENCH is available to aid in dryer/washer/pedestal feet adjustment.

TOUCH UP PAINT PENS

White - P/N 5304468812

Titanium - P/N 5304475700

*Other colors may be available. Contact the source where you purchased your dryer.

ASSEMBLY HOSE KIT

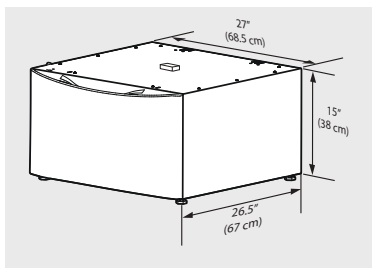
P/N 5304495002

For use in dryer models that include a steam feature.

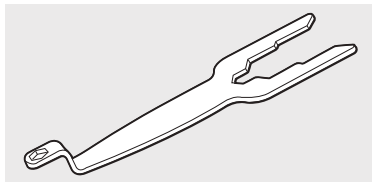


WARNING

Failure to use accessories manufactured by (or approved by) the manufacturer could result in personal injury, property damage or damage to the dryer.



Storage Pedestal



Universal Appliance Wrench

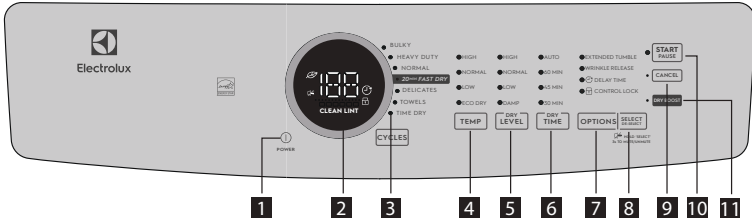
Replacement parts in U.S. and Canada

If replacements parts are needed for your dryer, you can contact the source where you purchased your dryer, call 1-877-4ELECTROLUX (1-877-435-3287) in the U.S. or 1-800-265-8352 in Canada, or visit our website, www.electrolux.com in the U.S. or www.electrolux.ca in Canada for the Electrolux Authorized Parts Distributor nearest you.

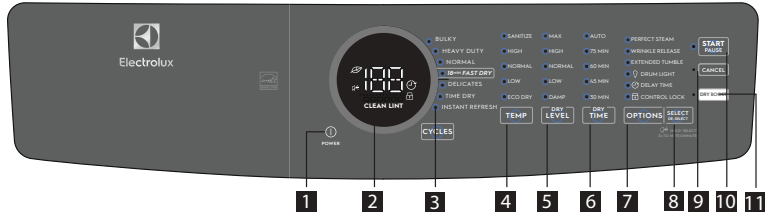
28 CONTROLS AND SETTINGS

Model series

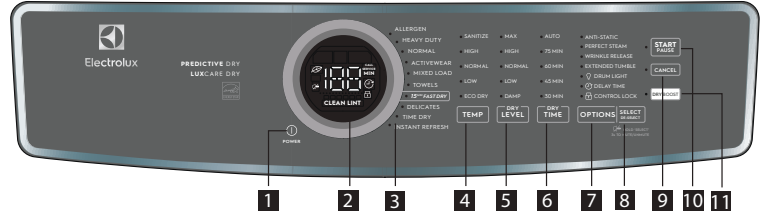
300 SERIES



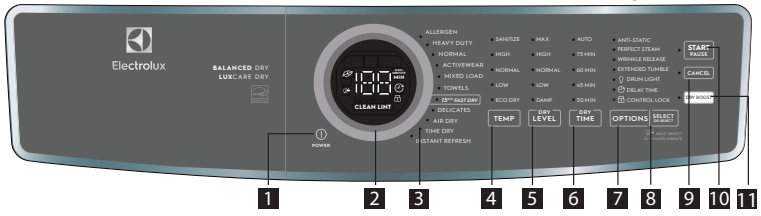
400 SERIES



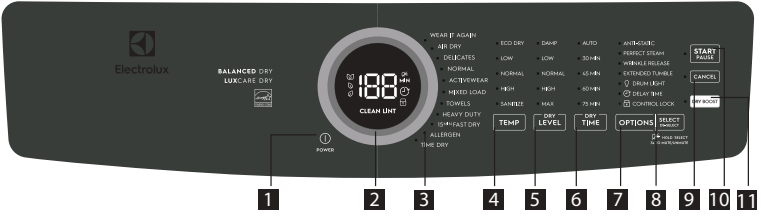
500 SERIES



600 SERIES GAS/ELECTRIC



700 SERIES



- | | | |
|------------------------|---------------------------|----------------------------|
| 1 POWER | 2 Cycle Selector | 3 Cycle LED Display |
| 4 Temp Selector | 5 DRY LEVEL | 6 DRY TIME |
| 7 Options | 8 SELECT/DE-SELECT | 9 CANCEL |
| 10 START/PAUSE | 11 DRY BOOST | |

This manual covers many models and not all cycles, options, or features listed are available on every model. Consoles shown above for reference only. Your model may differ.

Setting chart - 300 series dryer



These temperature, dryness levels and options are available with the following cycles:

CYCLE SELECTIONS

	BULKY	HEAVY DUTY	NORMAL	20 MIN FAST DRY	DELICATES	TOWELS	TIME DRY
--	-------	------------	--------	-----------------	-----------	--------	----------

TEMPERATURE (temp)

High	✓	✓		✓		✓	✓
Normal		✓	✓			✓	✓
Low			✓		✓	✓	✓
Eco Dry							✓

DRYNESS

High	✓	✓	✓			✓	
Normal		✓	✓		✓	✓	
Low			✓		✓		
Damp			✓		✓		

Dry Time

Auto Dry	✓	✓	✓		✓	✓	
60 Min							✓
45 Min							✓
30 Min							✓

OPTIONS

Extended Tumble	✓	✓	✓		✓	✓	✓
Wrinkle Release	✓	✓	✓		✓	✓	✓
Delay Time	✓	✓	✓	✓	✓	✓	✓
Control Lock	✓	✓	✓	✓	✓	✓	✓
Dry Boost	✓	✓	✓	✓	✓	✓	✓

✓ = Available selections. ◻ = Factory presets. ◼ = Non-modifiable presets.

30 CONTROLS AND SETTINGS

Setting chart - 400 series dryer



These temperature, dryness levels and options are available with the following cycles:

CYCLE SELECTIONS

	BULKY	HEAVY DUTY	NORMAL	18 MIN FAST DRY	DELICATES	TIME DRY	INSTANT REFRESH
--	-------	------------	--------	-----------------	-----------	----------	-----------------

TEMPERATURE (temp)

Sanitize	✓	✓				✓	
High	✓	✓		■		✓	■
Normal		✓	■			✓	
Low			✓		■	✓	
Eco Dry						✓	

DRYNESS

Max	■	✓	✓				
High		✓	✓				
Normal		✓	■		■		
Low			✓		✓		
Damp			✓		✓		

DRY TIME

Auto Dry	✓	✓	✓		■		
75 Min						✓	
60 Min						✓	
45 Min						✓	
30 Min						✓	

OPTIONS

Perfect Steam			✓		✓		✓
Wrinkle Release	✓	✓	✓		✓	✓	
Extended Tumble	✓	✓	✓		✓	✓	
Drum Light	✓	✓	✓	✓	✓	✓	✓
Delay Time	✓	✓	✓	✓	✓	✓	✓
Control Lock	✓	✓	✓	✓	✓	✓	✓
Dry Boost	■	✓	✓	✓	✓	✓	

✓ = Available selections. □ = Factory presets. ■ = Non-modifiable presets.

CYCLE SETTINGS

CYCLE OPTIONS

Setting chart - 500 series dryer



These temperature, dryness levels and options are available with the following cycles:

CYCLE SELECTIONS

ALLERGEN	HEAVY DUTY	NORMAL	ACTIVE WEAR	MIXED LOADS (COLORS)	TOWELS	15 MIN FAST DRY	DELICATES	TIME DRY	INSTANT REFRESH
----------	------------	--------	-------------	----------------------	--------	-----------------	-----------	----------	-----------------

TEMPERATURE (temp)

Sanitize	✓	✓				✓			✓
High	✓	✓		✓	✓	■		✓	■
Normal		✓	✓	✓	✓			✓	
Low			✓	✓	✓		✓	✓	
Eco Dry (No Heat/Air)								✓	

DRYNESS

Max	■	✓	✓			✓			
High		✓	✓	✓	✓	✓			
Normal		✓	✓	✓	✓	✓	✓		
Low			✓	✓	✓			✓	
Damp			✓		✓			✓	

DRY TIME

Auto Dry	■	✓	✓	✓	✓	■		✓	
75 Min								✓	
60 Min								✓	
45 Min								✓	
30 Min								✓	

OPTIONS

Anti-Static		✓	✓	✓	✓	✓		✓	
Perfect Steam			✓	✓	✓	✓		✓	✓
Wrinkle Release	✓	✓	✓	✓	✓	✓		✓	✓
Extended Tumble	✓	✓	✓	✓	✓	✓		✓	✓
Drum Light	✓	✓	✓	✓	✓	✓	✓	✓	✓
Delay Time	✓	✓	✓	✓	✓	✓	✓	✓	✓
Control Lock	✓	✓	✓	✓	✓	✓	✓	✓	✓
Dry Boost	■	✓	✓	✓	✓	✓	✓	✓	

✓ = Available selections. □ = Factory presets. ■ = Non-modifiable presets.

CYCLE SETTINGS

CYCLE OPTIONS

32 CONTROLS AND SETTINGS

Setting chart - 600 series dryer



These temperature, dryness levels and options are available with the following cycles:

CYCLE SELECTIONS

	ALLERGEN	HEAVY DUTY	NORMAL	ACTIVE WEAR	MIXED LOADS (COLORS)	TOWELS	15 MIN FAST DRY	DELICATES	AIR DRY	TIME DRY	INSTANT REFRESH
--	----------	------------	--------	-------------	----------------------	--------	-----------------	-----------	---------	----------	-----------------

TEMPERATURE (temp)

Sanitize	✓	✓				✓				✓	
High	✓	✓			✓	✓	■			✓	■
Normal		✓	✓	✓	✓	✓				✓	
Low			✓	✓	✓	✓		✓		✓	
Eco Dry (No Heat/Air)									✓	✓	

DRYNESS

Max	■	✓	✓			✓					
High		✓	✓	✓	✓	✓					
Normal		✓	✓	✓	✓	✓		✓			
Low			✓	✓	✓			✓			
Damp			✓		✓			✓	■		

Dry Time

Auto Dry	■	✓	✓	✓	✓	✓		✓	✓		
75 Min											✓
60 Min											✓
45 Min											✓
30 Min											✓

OPTIONS

Anti-Static		✓	✓	✓	✓	✓		✓			
Perfect Steam			✓	✓	✓	✓		✓			✓
Wrinkle Release	✓	✓	✓	✓	✓	✓		✓	✓	✓	
Extended Tumble	✓	✓	✓	✓	✓	✓		✓	✓	✓	
Drum Light	✓	✓	✓	✓	✓	✓		✓	✓	✓	✓
Delay Time	✓	✓	✓	✓	✓	✓	✓	✓	✓	✓	✓
Control Lock	✓	✓	✓	✓	✓	✓	✓	✓	✓	✓	✓
Dry Boost	■	✓	✓	✓	✓	✓	✓	✓		✓	

✓ = Available selections. □ = Factory presets. ■ = Non-modifiable presets.

CYCLE SETTINGS

CYCLE OPTIONS


34 CONTROLS AND SETTINGS

Cycle selection

Selecting the right cycle to save energy

This dryer has been specifically designed with options to help you save energy and at the same time utilize the optimal drying setting for your clothing.

The energy efficiency rating is based on the Normal Cycle using the Normal temperature setting and the normal dryness level.

Some cycles save more energy than others. Cycles that use the least amount of heat save the most energy and display the leaf icon  on the console. Use the lowest heat setting (auto and timed dry cycles) and less dry setting (auto dry cycles) to save on energy and prevent over drying your clothing.

Press the **power** button to turn on the unit. Turn the cycle selector in either direction or repeatedly press the cycles button (depending on your model) to scroll to the desired cycle. The indicator light for the cycle selected will be illuminated and the estimated drying time for Auto Dry cycles or the actual drying time for Time Dry cycles will be displayed on the LED display screen.

Default settings and options will automatically be indicated for the cycle selected. In most cases cycle settings and options can be changed. See *Cycle Settings*, *Cycle Options*, and *Setting Charts* for more details.

To change the cycle once it has begun, press the **cancel** button before selecting a new cycle. **Turning the cycle selector ring or pressing the cycles button WILL NOT change the cycle.**

Auto dry cycles

Auto dry cycles take the guesswork out of selecting the correct drying time for each load. Moisture sensors sense the moisture level of the load as it tumbles through the heated air. With auto dry cycles, the load will automatically be dried at the selected temperature to the desired dryness level.

Auto dry cycles save time and energy and protect fabrics. When the load has reached the selected dryness level, it will continue to tumble, unheated, during a cool down period. This helps reduce wrinkling and makes items easier to handle during unloading.

NOTE

Initial cycle times for auto dry cycles are only estimates, the actual drying time may differ slightly from the time displayed.

Drying times vary depending on size and dampness of the load and fabric type. If the load is too small or almost dry, the moisture

sensors may not detect enough moisture to continue the cycle and the cycle may end after a few minutes. If this occurs, then select the **time dry** cycle to dry such loads.

Room temperature and humidity, type of installation and electrical voltage or gas pressure can also affect drying time.

NOTE

Models equipped with the **Predictive Dry** feature use the first 90 seconds of Auto Dry cycles to sense the load in the dryer. **During this 90 second period the LED display will show 2 circling lines.** When the sensing is complete, the LED display will show the remaining cycle time in minutes and accurately count down to the end of the cycle.

Timed dry cycles

The timed drying cycles allow the selection of exact drying times. The **time dry** cycle allows the option to select drying time settings ranging from **30 to 75** minutes (depending on the model). Various drying times and temperature settings can be selected when using this cycle.

The **fast dry** cycles (on select models) have preset times of **15, 18 or 20** minutes (dependent on model) with a preset temperature of **high** only.

Dryness levels will not be an available option when using either of the timed drying cycles.

WARNING

FIRE HAZARD

To avoid fire hazard, DO NOT use heat to dry items containing feathers or down, foam rubber, plastics similarly textured, rubber-like materials. Use the **time dry** cycle and the **eco dry** (no heat) setting.

Cycles

LOAD	LOAD TYPE	CYCLE PRESET
ALLERGEN (select models)	Allergen removal (not for items prone to heat damage)	<ul style="list-style-type: none"> high temperature* maximum dryness* auto dry*
BULKY (select models)	Large loads and durable fabrics (such as towels, jeans and overalls)	<ul style="list-style-type: none"> high temperature maximum dryness auto dry*
HEAVY DUTY (select models)	Large loads and durable fabrics (such as jeans and overalls)	
NORMAL	Everyday loads (cottons, linens and sheets)	<ul style="list-style-type: none"> normal temperature normal dryness auto dry*
ACTIVWEAR (select models)	Lightweight synthetic athletic apparel (synthetic athletic fabrics and stretch fabrics)	<ul style="list-style-type: none"> low temperature normal dryness auto dry*
MIXED LOAD (select models)	Mixed load of fabrics	<ul style="list-style-type: none"> normal temperature normal dryness auto dry*
TOWELS (select models)	Large loads and durable fabrics (such as towels, jeans and overalls)	<ul style="list-style-type: none"> high temperature* maximum dryness* auto dry*
FAST DRY (varies by model) 15/18/20 min.	Small loads of 3 to 5 garments	<ul style="list-style-type: none"> high temperature* preset time* (15,18 or 20 minutes)
DELICATES	Knit fabrics and delicates	<ul style="list-style-type: none"> low temperature* normal dryness auto dry*
TIME DRY	Manually set drying time, heat and dry level for any type of load	<ul style="list-style-type: none"> normal temperature 30-75 minutes time
AIR DRY	Small loads of 3 to 5 garments	<ul style="list-style-type: none"> no heat
INSTANT REFRESH (select models)	Refresh fabrics, remove odors and reduce static by injecting steam into clothing.	<ul style="list-style-type: none"> high temperature* perfect steam™*
WEAR IT AGAIN (select models)	Optimized cycle to reduce odors, pet hair and wrinkles on slightly used clothing, allowing them to be worn once again before a complete washing cycle.	<ul style="list-style-type: none"> high temperature* perfect steam™* preset time*

* setting can not be changed from preset



NOTE

It is not recommended to use fabric softener sheets with steam cycles or steam options as it may cause staining on clothes.



NOTE

To change a cycle setting once the cycle has begun, press the **start/pause** button, make the new selection and press **start/pause** again.

Cycle settings

To set or change the drying temperature, dryness level, or drying time press the **temp**, **dryness** or **time dry** buttons to scroll to the desired settings. The indicator light for each setting will be illuminated when selected.

To protect your fabrics, not all temperatures or dryness levels are available with every cycle. If a temperature or dryness level is not appropriate for the cycle, it cannot be selected and will not be lit when scrolling through the settings.

36 CONTROLS AND SETTINGS

With exception of the **sanitize** and **perfect steam™**, adjustments made to cycle settings and options will be remembered and recalled each time that cycle is selected in the future.



To return to factory settings, press the **dryness** and **options** buttons at the same time and hold until the signal sounds.

Drying temperature (temp)

To change the temperature, press the **temp** button to scroll to the desired setting.



For best results

Follow the fabric care label instructions on items to be dried.

sanitize (on select models)

Recommended for durable fabrics and towels. Use this selection to remove harmful bacteria from your clothing or other items where sanitization is desired. This option will kill 99.9% of bacteria using a higher temperature required to kill bacteria. Please check fabric care labels to prevent damage.

high

Recommended for most cotton fabrics.

normal

Recommended for wrinkle free, easy care, lightweight fabrics and bulky loads.

low (on select models)

Recommended for delicate fabrics.

eco dry (no heat)

This setting should only be used with a time dry cycle to dry items containing feathers, down, foam rubber, plastics or rubber-like materials; to refresh clothing, stuffed animal, pillows or blankets; and to dust draperies.

Dryness level (dryness)

To set or change the dryness level, press the **dryness** button to scroll to the desired setting.

The dryness levels include **max** (on select models), **high**, **normal**, **low** (on select models), and **damp**. Most Auto Dry cycles default to the **normal** dryness level.

Occasionally a load may seem too damp or over-dried at the end of the cycle. To increase drying time for similar loads in

the future, select **high** or **max** (on select models). To decrease drying time for similar loads, select **less** (on select models).

Select **damp** for items you wish to partially dry before hanging or ironing.

Drying time (time dry)

Manually select or change the drying time for a **time dry** cycle (on select models) by pressing the **time dry** button to scroll through the available options. Time dry options include **30**, **45**, **60** and **75** minutes (dependent on model).

The **auto** selection is a default for all **auto dry** cycles and **fast dry** cycles and cannot be selected or changed. All actual or predicted dry times will count down on the LED display.

Cycle options

To select an option, press **options** and scroll through the options until the indicator light for the desired option flashes, then press **select (set)**. The indicator will illuminate when the option has been selected. Follow the same steps to deselect an option. The indicator light will turn off when the option is deselected.



NOTE

To change a cycle option once the cycle has begun, press the **start/pause** button, make the new selection and press **start/pause** again.

To protect your fabrics, not all options are available with every cycle. If an option is not available for a cycle, the indicator will not light.

Occasionally, two options or settings in the same cycle will conflict with each other, like the **perfect steam** option and **sanitize** temperature (on select models). When this happens, the option selected first will cause the conflicting option to not be selectable.



perfect steam™ (on select models) The **perfect steam™** option injects steam into the clothing prior to cool down to reduce wrinkling, ironing and static cling.

NOTE

It is not recommended to use fabric softener sheets with steam cycles or steam options as it may cause staining on clothes.

anti-static (on select models)

The **anti-static** option injects steam into the clothing just before cycle completion to reduce static.

dry boost

This option increases the drying effectiveness for heavier fabrics or bulky loads by increasing the drying temperature by less than 20°F (>1°C). (Varies based on cycle selection).

leaf icon

This icon will appear on the console when the dryer is using energy efficient settings. These settings use less heat and longer cycle times to dry. The dryer will always default to the energy efficient Normal cycle with the leaf icon displayed. For 700 models, the eco indicator has 3 levels: the higher the number of leaves, the more eco friendly.

wrinkle release

The **wrinkle release** option helps prevent wrinkles and tangling by tumbling the dry load without heat for 5 minutes out of every 10 minutes. The 5 minutes on and 5 minutes off is repeated for a total 45 minutes. A chime will sound after each tumble as a reminder to remove the dried load.

NOTE

When **extended tumble** and **wrinkle release options are both selected** the amount of time the load will tumble without heat will increase to a period of up to 75 minutes.

extended tumble (on select models)

Select the **extended tumble** option if the dried load might not be removed promptly at the end of the cycle. The dried load will tumble continuously without heat for 30 minutes. A chime will sound periodically to remind you to remove the dried load.

delay time (on select models)

Use **delay time** to delay the start of the drying cycle to a time convenient to your schedule or during off-peak energy hours. The start of any cycle can be delayed for 30 minutes to 12 hours. After selecting the delay time option, use the cycle button

(models 300/400) or the cycle selector (models 500/600/700) to scroll to the desired delay time and press **start**. The **delay time** icon will illuminate on the LED display to indicate the **delay time** option is activated. The delay time will begin counting down on the LED display once activated.

NOTE

While counting down during **delay time**, you will notice your dryer periodically tumbling for a few minutes without heat to redistribute the load, maximizing load freshness.


control lock

To lock the controls between cycles, scroll to the control lock option and press **select**. The control lock icon will show on the LED display. To unlock the controls scroll to the control lock option again and press **select**. Use this feature to reduce the likelihood of accidental operation by children. **Dryer cycles will not run when Control Lock is activated.**

chime

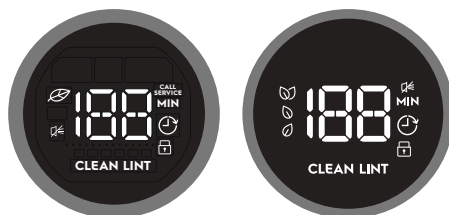
A signal will sound at the end of the cycle (and periodically during **extended tumble** or **wrinkle release**). To mute or unmute the chime, press and hold the **select** button for **3** seconds.



 hold 'select' 3 s to mute/unmute

Other features

LED display



Icons may vary according to model.

38 CONTROLS AND SETTINGS

The estimated cycle time for **auto dry**, the actual time for **time dry**, or the **delay time countdown** will be displayed when the cycle is selected. Once the cycle has started, the estimated remaining time will be displayed for the remainder of the cycle.

Models equipped with the Predictive Dry feature use the first 90 seconds of Auto Dry cycles to sense the load in the dryer. During this 90 second period the LED display shows 2 circling lines. When the sensing is complete, the LED display shows the remaining cycle time in minutes and accurately count down to the end of the cycle.

Delay time, leaf, control lock, mute icons (select models) and **CLEAN LINT** will also appear on this LED display when activated.

Drum light (on select models)

The drum light will come on whenever the door is opened to illuminate the drum during loading and unloading. Closing the door turns off the light. The drum light will automatically turn off if the door is left open more than 3 minutes. Select the **drum light** option to enable or disable the drum light.

Reversible door

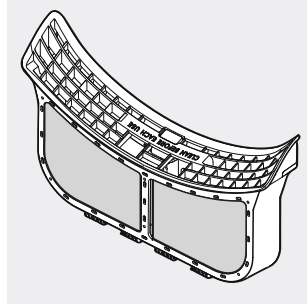
The dryer is equipped with a reversible door. The door can be hinged on the right or left side.

NOTE

For step-by-step instructions on door reversal, refer to the *installation* sections of this manual.

LuxCare™ Lint Shield filter

The dryer is equipped with a clamshell style LuxCare™ Lint Shield filter.



WARNING

Clean the filter after every load. A **CLEAN LINT message** will appear on the LED display at the end of the cycle to remind you to remove the lint from the filter.



NOTE

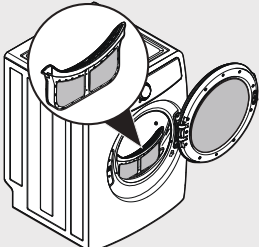
For step-by-step instructions cleaning the lint filter, refer to *Cleaning the Filter* in the Care and Cleaning section of this Use & Care Manual.

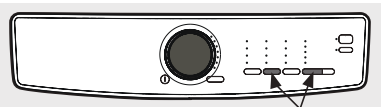
Operating the dryer

! WARNING
 To reduce the risk of fire, electric shock or injury to persons, read the Important Safety Information in this *Use & Care Manual* before operating your dryer.

! WARNING
 DO NOT operate dryer without lint filter in place.

! WARNING
 Clean the lint filter after every load.

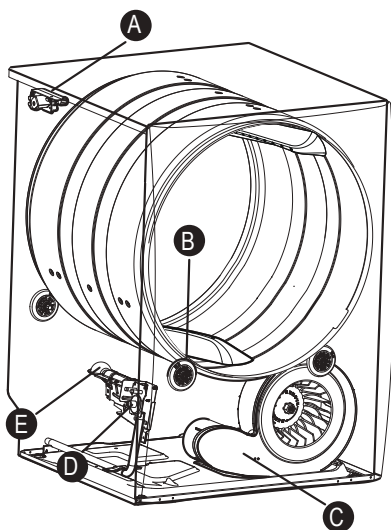
STEPS	TIPS	IMPORTANT
1. Prepare load for drying.	<ul style="list-style-type: none"> • Dry items of similar fabric, weight and construction in the same load. • Separate dark items from light-colored items. Separate items that shed lint from those that attract lint. • Check for stains which may not have been removed in washing. Repeat stain removal process and wash again before drying. Dryer heat may permanently set some stains. • Place delicate, rubber coated, or small items in a mesh bag (not included). • Be sure buckles, buttons and trim are heatproof and won't damage the drum finish. Close zippers; fasten hooks and loop fasteners. Tie strings and sashes to prevent snagging and tangling. 	<p>DO NOT machine wash items containing fiberglass. Small particles of fiberglass left in drum may transfer to fabrics in other loads and cause skin irritation and/or damage to fabrics.</p> <p>DO NOT wash water resistant and water repellent type clothing or other materials.</p>
2. Check that the lint filter is clean and in place.		<p>DO NOT operate dryer without lint filter in place.</p>
3. Load the dryer and close the door.	<ul style="list-style-type: none"> • Load items loosely. The average wet load will fill the drum 1/3 to 1/2 full. Items need room to tumble freely for even drying and less wrinkling. • If desired, place a dryer fabric softener sheet on top of the load at the beginning of the cycle. • When drying large items, dry only two or three items at a time. Fill out the load with smaller items. • For delicate or very small loads, add two or three similar items to improve tumbling action. 	<p>DO NOT overload the dryer. To save energy, time and avoid uneven drying and wrinkling avoid overloading the dryer.</p> <p>DO NOT over-dry. Over-drying can cause wrinkles, shrinkage, lint, and a build up of static electricity.</p>

STEPS	TIPS	IMPORTANT
<p>1. Select the appropriate cycle and settings for each load.</p>	<ul style="list-style-type: none"> • See <i>Cycle Selection</i> and <i>Cycle Settings</i> for detailed descriptions of cycle controls. • See <i>Cycle Setting Charts</i> to determine which settings are available for each cycle. • To provide the best care, not every setting or option is available with every cycle. If a setting or option is not available for the cycle selected, the indicator will not light. See <i>Setting Chart</i> for information of available options for each cycle by model. • Adjustments made to most cycle settings will be remembered each time the cycle is selected in the future. When the dryer is powered on, the default cycle will be the normal cycle. Select your desired cycle and previous settings will remain. To return to factory settings, press the dryness button and the options button at the same time and hold until the signal sounds. 	<p>Over-drying can cause wrinkles, shrinkage, lint, harshness, and a build up of static electricity.</p> <p>To prevent unintentional and accidental exposure of delicate material to excess heat or unexpected steam, the sanitize temperature setting and the perfect steam™ option will not be remembered and must be reselected each time.</p>
<p>2. Close the dryer door and start the drying cycle.</p>	<ul style="list-style-type: none"> • To start the drying cycle, close the door and press the start/pause button. • To add an item to the dryer drum, press start/pause. Add the item, close the door and press start/pause to resume the cycle. • To change settings or options after the cycle has begun, press start/pause, change the settings, and then press start/pause. If the cycle is not paused first, the unit will emit several beeps when the buttons are pressed but no changes to the cycle will be applied. • To change the cycle once the cycle has begun, press cancel to cancel the cycle, select the new cycle, and press start/pause to begin the new cycle. Changing a cycle selection without cancelling the current WILL NOT change the cycle. • To cancel a cycle, press cancel. 	<p>The dryer will not operate with the door open.</p> <p>When drying a single large or bulky item, such as a comforter, pause the cycle part way through to turn the item “inside out” and maximize drying effectiveness.</p>
<p>3. Remove items when done.</p>	<ul style="list-style-type: none"> • A signal will sound at the end of the cycle if the chime option is not set to mute. • Immediately remove items when the cycle is completed and hang or fold. 	<p>See product manufacturer’s instructions.</p>
<p>4. Clean the lint filter.</p>	<ul style="list-style-type: none"> • See Care and Cleaning section of this instruction. • CLEAN LINT will be displayed at the end of the cycle as a reminder to remove lint from filter. 	<p>ALWAYS REMOVE LINT at the end of the cycle (see warning on previous page).</p>

Normal operating sounds

You may or may not hear the following sounds from your new dryer:

1. **WATER VALVE** (Steam models only.)
The flow of water is controlled by electric solenoids. During operation there may be a clicking sound as the valve opens and closes to control the water flow.
2. **SUSPENSION ROLLERS** The dryer drum is supported by a set of suspension rollers. At times there may be a thumping or rolling sound when the dryer starts. This may happen if the dryer has not been in use for a period of time, or after a heavy load has remained in the dryer drum for an extended period, creating a temporary flat spot on the edge of the roller. The noise should dissipate as the dryer operates and the flat spots smooth out.
3. **AIR FLOW SYSTEM** Your dryer is equipped with a high volume air handling system. In some installations there may be some sounds associated with air movement throughout the dryer, including the air duct, blower, and exhaust system. This is normal and can vary with load size and type.
4. **GAS VALVE** (Gas models only.) The flow of gas is controlled by electric solenoids. During operation there may be a clicking sound as the valve opens and closes to control the gas flow.
5. **GAS BURNER** (Gas models only.) When the burner is operating, there may be sounds generated as the air flow mixes with the gas flame. This noise is normal and will only occur when the gas is ignited in the combustion tube.



Before operating your dryer

Read the important instructions in this section of the *Use & Care Manual* before operating your dryer.



WARNING

To reduce the risk of fire, electric shock or injury to persons, read the Important Safety Information in this *Use & Care Manual* before operating your dryer.

42 CARE AND CLEANING

WARNING

To reduce risk of fire or serious injury to persons or property, comply with the basic warnings listed in the Important Safety Information and those listed below.

Cleaning the filter

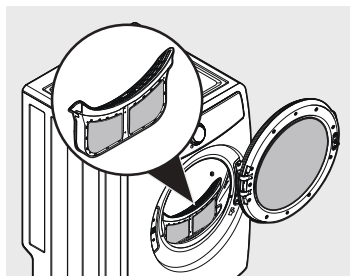
WARNING

Clean the lint filter after every load. **CLEAN LINT** will be displayed at the end of the cycle to remind you to remove lint from the filter.

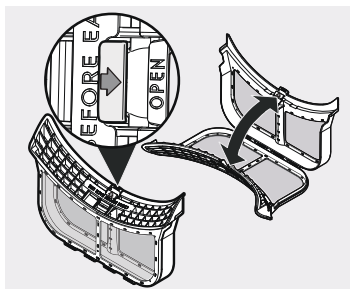
Clean the lint filter after every load. Lint build-up on the filter restricts air flow, which causes longer drying times. The filter is located at the bottom of the door opening.

Cleaning the LuxCare™ Lint Shield filter

1. Remove the filter by pulling it straight up from the dryer.



2. Press down the button on the top of the filter to open the clamshell.



3. Gently clean the lint from the filter.

4. Snap the filter closed and place back into the dryer.

IMPORTANT

- DO NOT open the clamshell filter beyond the hinge limit.
- ALWAYS handle the clamshell filter by the frame, not by the mesh material.

Inside

- Occasionally a waxy build-up may form on the lint filter and/or moisture sensing bars from using dryer-added fabric softener sheets. To remove this build-up, wash them with warm, soapy water. Dry the filter thoroughly and replace. **DO NOT** operate the dryer without the lint filter in place.
- If the dryer drum becomes stained from non colorfast fabrics, clean the drum with a damp cloth and a mild liquid household cleanser. Remove cleanser residue before drying the next load.
- Before cleaning the dryer drum interior, unplug the electrical power cord to avoid electrical shock hazards.
- **DO NOT** use any type spray cleanser when cleaning the dryer interior. Hazardous fumes or electrical shock could occur.
- **Every 18 months a qualified service professional should clean the dryer cabinet interior, lint screen housing and exhaust duct. These areas can collect lint and dust over time. An excessive amount of lint build-up could result in inefficient drying and possible fire hazard.**

Outside

- Clean the dryer cabinet with mild soap and water. Never use harsh, gritty or abrasive cleansers.
- If the cabinet becomes stained, clean with diluted chlorine bleach (1 part bleach to 8 parts water). Rinse several times with clear water.
- Remove glue residue from tape or labels with a mixture of warm water and mild detergent. Or, touch residue with the sticky side of the tape or label.

- When cleaning chrome parts, it is best to use only a damp cloth.
- Before moving the dryer, place a strip of cardboard or thin fiberboard under the front leveling legs to prevent damage to the floor.



WARNING

FIRE HAZARD

A clothes dryer produces combustible lint. The dryer must be connected to an outdoor exhaust. Regularly inspect the outdoor exhaust opening and remove any accumulation of lint around the opening and in the surrounding area.



IMPORTANT

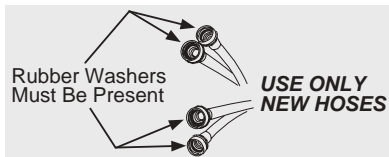
DO NOT store or place laundry products on top of dryer at any time. They can damage the finish or controls. It is recommended to keep laundry products in the storage drawer between cycles if installed on a pedestal.



Water inlet hose inspection (steam models only)

Periodically inspect all water inlet hoses for water leaks, wear, cuts, corrosion and bulges. Replace all hoses, if any sign of the above is visible. All hoses should be replaced every 5 years to reduce the risk of hose failures. When replacing hoses, refer to the *installation instructions* for proper installation. DO NOT overtighten or cross

thread the fittings. DO NOT allow the hose to rub against sharp objects. Always ensure the hose fitting rubber gasket is installed and free from water leaks when water pressure is applied.



Limited use, vacation, and away from home



CAUTION

Your dryer should be operated ONLY when you are home. If you are away from home or not using your dryer for extended periods of time, follow these steps:

1. Turn off the water supply to dryer (steam models only) to avoid water leaks due to water pressure surges and unforeseen occurrences in the water supply.
2. Disconnect or unplug the electrical power to the dryer.

Reconnecting water supply and electrical



IMPORTANT

When reinstalling the dryer after disconnecting the water supply lines (steam models only) and electrical power, please follow the steps below:

1. Review the *installation instructions* provided with the dryer to ensure the appliance is level and the water and electrical power supply is properly connected.
2. Ensure the water lines are flushed of debris, prior to connecting the water lines to the dryer inlet.
3. Check for water leaks and replace supply hoses if needed.

Common drying inquiries

Many drying problems involve poor cleaning results, poor soil and stain removal, residues of lint and scum, and fabric damage. For satisfactory drying results, follow these suggestions provided by The Soap and Detergent Association.

PROBLEM	POSSIBLE CAUSES	SOLUTIONS	PREVENTIVE MEASURES
Greasy, oily stains	<ul style="list-style-type: none"> • Fabric softener sheet 	<ul style="list-style-type: none"> • Rub fabric softener stains with bar soap. Rinse and rewash. 	<ul style="list-style-type: none"> • Add a few bath towels to small loads for proper tumbling. • Some "silk-like" fabrics should be air dried. • Use proper drying temperature. • Place fabric softener sheet on top of load before starting the dryer.
Lint	<ul style="list-style-type: none"> • Overloading • Overdrying causes static electricity • Lint screen not clean when cycle began • Lint is attached to "pills" 	<ul style="list-style-type: none"> • Reduce load size and rewash using liquid fabric softener in the final rinse. • Or, add a fabric softener sheet and tumble without heat. • Use lint brush or roller to remove lint. 	<ul style="list-style-type: none"> • DO NOT overload dryer. • Use fabric softener in washer or dryer to reduce static electricity. • Remove items when they are slightly damp to avoid overdrying. • Check that lint filter is clean and in place.
Pilling (fibers break off, ball up and cling to fabric)	<ul style="list-style-type: none"> • Overdrying 	<ul style="list-style-type: none"> • Use a lint brush or shaver to remove pills. 	<ul style="list-style-type: none"> • Use fabric softener to lubricate fibers. • When ironing, use spray starch or fabric finish on collars and cuffs. • Turn items inside out to reduce abrasion.
Shrinking	<ul style="list-style-type: none"> • Temperature too high • Overdrying 	<ul style="list-style-type: none"> • Irreversible condition. 	<ul style="list-style-type: none"> • Follow fabric care label directions. • If shrinking is a concern, check load often. • Remove items while slightly damp and hang or lay flat to complete drying. • Block knits into shape.
Wrinkling	<ul style="list-style-type: none"> • Overloading • Leaving items in dryer after cycle ends 	<ul style="list-style-type: none"> • Reduce load size and tumble at medium or low heat for 5-10 minutes. • Remove items immediately. Hang or fold. 	<ul style="list-style-type: none"> • DO NOT overload dryer. • Remove items as soon as cycle ends.
Isolated wet spots on fabrics after completed Steam cycle	<ul style="list-style-type: none"> • Low water pressure in home is not sufficient to atomize incoming water during steam cycle 	<ul style="list-style-type: none"> • Check water line pressure. 	<ul style="list-style-type: none"> • Ensure water line pressure is minimum of 20 psi. DO NOT exceed 120 psi.

Before calling

Before calling for service, review this list. It may save both time and expense. The list includes common occurrences that are not the result of defective workmanship or materials in this dryer.

PROBLEM	POSSIBLE CAUSES	SOLUTIONS
<p>Dryer does not start.</p>	<ul style="list-style-type: none"> • Electrical power cord is not securely plugged in or plug may be loose. • House fuse blown or circuit breaker tripped. • Action of pressing start button on "touch screen" style console not recognized. • Thermal limiter tripped. • Delay time inadvertently activated. • Door may be open. Unit will not operate with door open. • Difficult load to dry. 	<ul style="list-style-type: none"> • Make sure the plug fits tightly in wall outlet. • Reset circuit breaker or replace fuse. • Make sure electrical line is not overloaded and the dryer is on a separate circuit. • Press start button with bare fingertip. • Call authorized service person for replacement. • Ensure delay time not activated. • Ensure door is closed. • Select Dry Boost option
<p>LED displays "dr".</p>	<ul style="list-style-type: none"> • Dryer has been programmed to temporarily perform a repeating demo cycle. 	<ul style="list-style-type: none"> • Reset the unit back to factory default settings as described earlier.
<p>Dryer runs but won't heat.</p>	<ul style="list-style-type: none"> • There are 2 house fuses in the dryer circuit. If 1 of the 2 fuses is blown, the drum may turn but the heater will not operate (electric models). • Gas supply valve is not open (gas models). • Dryer does not have enough air supply to support the burner flame (gas models). • LP gas supply tank is empty or there has been a utility interruption of natural gas (gas models). 	<ul style="list-style-type: none"> • Replace fuse. • Check to make sure supply valve is open. Refer to the <i>installation instructions</i> provided with the dryer. • See the <i>Installation sections of this manual</i>. • Refill or replace tank. Dryer should heat when utility service is restored.

46 TROUBLESHOOTING

PROBLEM	POSSIBLE CAUSES	SOLUTIONS
Drying cycle takes too long, outside of the dryer feels too hot or smells hot.	<ul style="list-style-type: none"> Lint filter is clogged with lint. Exhaust duct requirements have not been met. Electric dryer is connected to a 208 volt circuit. Drying procedures have not been followed. Outside exhaust hood or exhaust duct may be clogged or restricted. High humidity. 	<ul style="list-style-type: none"> Make sure all lint has been removed from the dryer lint filter before starting each cycle. Exhaust duct must be at least 4 inches in diameter and made of rigid or semi-rigid metal. When in place, the duct must not exceed length listed in the <i>installation instructions</i>. Drying time will be 20% longer than drying on a 240 volt circuit. See <i>Operating Instructions</i>. Clean out any obstruction. Use a dehumidifier near the dryer.
Excess moisture in drum between cycles.	<ul style="list-style-type: none"> Exhaust damper stuck open or not present. 	<ul style="list-style-type: none"> Fix or clean the damper, or install new one.
Excessive wrinkling.	<ul style="list-style-type: none"> Dryer is overloaded. Items left in dryer too long. Insufficient sorting of items. Drying temperature too high. Drying load is very small. 	<ul style="list-style-type: none"> DO NOT overload. See <i>Operating Instructions</i>. Remove items as soon as cycle ends. See <i>Operating Instructions</i>. Follow fabric care label instructions. Add two or three larger items.
Scratching or chipping of the drum finish.	<ul style="list-style-type: none"> Foreign objects such as coins, pins, clips or buttons are inside the dryer.* Permanently attached items such as belt buckles, zippers and fasteners may be hitting the inside of the drum.* 	<ul style="list-style-type: none"> Always remove foreign objects from pockets before laundering. Remove objects from drum and restart dryer. It may be necessary to sew a scrap of material securely around ornaments before drying to prevent scratching and damage to the dryer.
* Drum damage caused by foreign objects or permanently attached items is not covered by the warranty.		

For the applicable warranty period as set forth below, as measured from your original date of purchase, Electrolux will repair or replace any parts of this appliance that prove to be defective in materials or workmanship when such appliance is installed, used and maintained in accordance with the provided instructions.

Warranty Periods:

- All parts — One year including labor. In addition, your appliance is covered by a one year, parts only, limited warranty. During the 2nd year from your original date of purchase, Electrolux will pay for parts needed for this appliance that have proven to be defective in materials or workmanship when your appliance is installed, used, and maintained in accordance with the provided instructions.

Exclusions

This warranty does not cover the following:

1. Products with original serial numbers that have been removed, altered or cannot be readily determined.
2. Product that has been transferred from its original owner to another party or removed outside the USA or Canada.
3. Rust on the interior or exterior of the unit
4. Products purchased "as-is" are not covered by this warranty.
5. Products used in a commercial setting.
6. Service calls which DO NOT involve malfunction or defects in materials or workmanship, or for appliances not in ordinary household use or used other than in accordance with the provided instructions.
7. Service calls to correct the installation of your appliance or to instruct you how to use your appliance.
8. Expenses for making the appliance accessible for servicing, such as removal of trim, cupboards, shelves, etc., which are not a part of the appliance when it is shipped from the factory.
9. Service calls to repair or replace appliance light bulbs, air filters, water filters, other consumables, or knobs, handles, or other cosmetic parts.
10. Pickup and delivery costs; your appliance is designed to be repaired in the home.
11. Surcharges including, but not limited to, any after hour, weekend, or holiday service calls, tolls, ferry trip charges, or mileage expense for service calls to remote areas, including the state of Alaska.
12. Damages to the finish of appliance or home incurred during transportation or installation, including but not limited to floors, cabinets, walls, etc.
13. Damages caused by: services performed by unauthorized service companies; use of parts other than genuine Electrolux parts or parts obtained from persons other than authorized service companies; or external causes such as abuse, misuse, inadequate power supply, accidents, fires, or acts of God.

DISCLAIMER OF IMPLIED WARRANTIES; LIMITATION OF REMEDIES

CUSTOMER'S SOLE AND EXCLUSIVE REMEDY UNDER THIS LIMITED WARRANTY SHALL BE REPAIR OR REPLACEMENT AS PROVIDED HEREIN. **CLAIMS BASED ON IMPLIED WARRANTIES, INCLUDING WARRANTIES OF MERCHANTABILITY OR FITNESS FOR A PARTICULAR PURPOSE, ARE LIMITED TO ONE YEAR OR THE SHORTEST PERIOD ALLOWED BY LAW, BUT NOT LESS THAN ONE YEAR.** ELECTROLUX SHALL NOT BE LIABLE FOR CONSEQUENTIAL OR INCIDENTAL DAMAGES SUCH AS PROPERTY DAMAGE AND INCIDENTAL EXPENSES RESULTING FROM ANY BREACH OF THIS WRITTEN LIMITED WARRANTY OR ANY IMPLIED WARRANTY. SOME STATES AND PROVINCES DO NOT ALLOW THE EXCLUSION OR LIMITATION OF INCIDENTAL OR CONSEQUENTIAL DAMAGES, OR LIMITATIONS ON THE DURATION OF IMPLIED WARRANTIES, SO THESE LIMITATIONS OR EXCLUSIONS MAY NOT APPLY TO YOU. THIS WRITTEN WARRANTY GIVES YOU SPECIFIC LEGAL RIGHTS. YOU MAY ALSO HAVE OTHER RIGHTS THAT VARY FROM STATE TO STATE.

If You Need Service

Keep your receipt, delivery slip, or some other appropriate payment record to establish the warranty period should service be required. If service is performed, it is in your best interest to obtain and keep all receipts. Service under this warranty must be obtained by contacting Electrolux at the addresses or phone numbers below.

This warranty only applies in the USA, Puerto Rico and Canada. In the USA and Puerto Rico, your appliance is warranted by Electrolux Major Appliances North America, a division of Electrolux Home Products, Inc. In Canada, your appliance is warranted by Electrolux Canada Corp. Electrolux authorizes no person to change or add to any obligations under this warranty. Obligations for service and parts under this warranty must be performed by Electrolux or an authorized service company. Product features or specifications as described or illustrated are subject to change without notice.



Use & Care Manual
Clothes Dryer

EN 2

Manuel d'utilisation et d'entretien
Sécheuse à Chargement Frontal

FR 49

Manual de uso y cuidado
Secadora de ropa

SP 101



electrolux.com/register

 **Electrolux**

Veillez lire et enregistrer ce manuel

Nous vous remercions d'avoir choisi Electrolux, notre marque haut de gamme en matière d'électroménagers. Ce *manuel d'utilisation et d'entretien* fait partie de notre engagement envers la satisfaction de la clientèle et la qualité du produit tout au long de la durée de vie de votre nouvel appareil.

Nous considérons votre achat comme le début d'une relation. Pour nous assurer de pouvoir continuer à vous servir, veuillez utiliser cette page pour consigner des renseignements importants sur les produits.

Conservez ces renseignements pour référence rapide

Date d'achat

Numéro de modèle Electrolux

Numéro de série Electrolux

Série de modèles Electrolux*

* Le numéro de série se trouve dans le numéro de modèle (exemple ELFE7637AW = série 600).

**REMARQUE**

L'enregistrement de votre produit auprès d'Electrolux améliore notre capacité à vous servir. Vous pouvez effectuer l'enregistrement en ligne sur www.electrolux.com, envoyer votre carte d'enregistrement de produit par la poste ou par l'intermédiaire de PHOTOREGISTERSM à l'aide d'un téléphone intelligent. Consultez la carte d'enregistrement pour les détails.

Table des matières

Renseignements importants concernant la sécurité.....	50
Caractéristiques.....	56
Exigences préalables à l'installation.....	57
Installation.....	66
Accessoires et pièces de rechange.....	76
Commandes et réglages.....	77
Mode d'emploi.....	89
Sons de fonctionnement normaux.....	91
Entretien et nettoyage.....	92
Dépannage.....	95
Garantie limitée.....	99

Des questions?

Pour le soutien téléphonique sans frais ou le soutien en ligne aux États-Unis et au Canada :

É.-U.

1 877 4ELECTROLUX (1 877 435-3287)
www.electrolux.com

Canada

1 800 265-8352
www.electrolux.ca

**REMARQUE**

Les instructions apparaissant dans ce *guide d'utilisation et d'entretien* ne sont pas conçues pour couvrir toutes les conditions et situations pouvant éventuellement survenir. Lors de l'installation, du fonctionnement et de l'entretien de tout appareil, il faut faire preuve de bon sens et de prudence.

LISEZ TOUTES LES INSTRUCTIONS AVANT D'UTILISER CETTE SÈCHEUSE.

CONSERVEZ CES INSTRUCTIONS POUR CONSULTATION ULTÉRIEURE.

 **AVERTISSEMENT****RISQUE d'incendie ou d'explosion**

Le non-respect de l'avertissement de sécurité peut entraîner des blessures graves, la mort ou des dommages matériels.

NE PAS entreposer ou utiliser de l'essence ou d'autres liquides et vapeurs inflammables à proximité de cet appareil ou de tout autre appareil.

QUE FAIRE SI VOUS SENTEZ DU GAZ :

- **NE PAS essayer d'allumer un appareil.**
- **NE toucher à aucun interrupteur électrique; NE PAS utiliser de téléphone dans votre bâtiment.**
- **Faire sortir tous les occupants de la pièce, de l'édifice ou de la zone.**
- **Appeler immédiatement votre fournisseur de gaz à partir du téléphone d'un voisin. Suivre les instructions du fournisseur de gaz.**
- **Si votre fournisseur de gaz ne peut être rejoint, appeler le service d'incendie.**

L'installation et l'entretien doivent être effectués par un installateur qualifié, une agence de service ou le fournisseur de gaz.

 **DANGER**

Si vous utilisez du propane liquide (LP), ARRÊTEZ et installez le kit LP avant d'utiliser votre sécheuse à gaz.

AVERTISSEMENT RISQUE D'INCENDIE

- **Assurez-vous que tout le système d'évacuation de la sècheuse est propre et exempt de peluches et de débris avant l'installation de votre nouvelle sècheuse. Tout le circuit d'évacuation doit être vérifié et nettoyé au moins tous les 18 mois dans des conditions normales d'utilisation. Le non-respect du nettoyage de votre système d'évacuation augmentera le RISQUE D'INCENDIE.**
- NE PAS installer une sècheuse avec du matériel de ventilation en plastique souple ou en métal flexible. Les matériaux de ventilation flexibles sont connus pour s'affaisser, être facilement écrasés et emprisonner les peluches. Ces conditions bloqueront le débit d'air de la sècheuse et augmenteront le risque d'incendie.
- NE PAS installer de grille sur les extrémités d'évacuation du système de ventilation ni utiliser de vis, de rivets ou d'autres fixations qui s'étendent dans le conduit pour assembler le système d'évacuation. AUCUNE grille ni aucun grillage, peu importe la taille du maillage, ne doit recouvrir l'ouverture d'évacuation extérieure.
- Installez la sècheuse conformément aux instructions du fabricant et aux codes locaux.
- L'installation et l'entretien de la sècheuse doivent être effectués par un installateur qualifié, une agence de service ou le fournisseur de gaz.
- L'entretien électrique de la sècheuse doit être conforme aux codes et ordonnances locaux et à la dernière édition du Code national de l'électricité, ANSI/NFPA 70, ou au Canada, au Code canadien de l'électricité, CSA C22.1, partie 1.
- L'arrivée du gaz vers la sècheuse doit être conforme aux codes et ordonnances locaux et à la dernière édition du National Fuel Gas Code ANSI Z223.1/NFPA 54, ou au Canada, au Code d'installation du gaz naturel et du propane, CSA B149.1. Une soupape d'arrêt manuelle individuelle doit être installée à moins de 6 pi (1,83 m) de la sècheuse conformément au National Fuel Gas Code, ANSI Z223.1/NFPA 54.
- NE PAS installer une sècheuse sur une laveuse déjà installée sur un socle. NE PAS installer une laveuse sur une sècheuse. NE PAS installer une laveuse sur une autre laveuse.
- La sècheuse est conçue pour un USAGE DOMESTIQUE seulement, conformément à la norme ANSI Z21.5.1/CSA 7.1 ou UL2158 - CAN/CSA C22.2 no 112 (dernières éditions). Cette sècheuse n'est pas recommandée pour les applications commerciales comme les restaurants, les salons de beauté, etc.
- Détruisez le carton et les sacs en plastique après le déballage de la sècheuse. Les enfants pourraient jouer avec ceux-ci. Les cartons recouverts de tapis, de couvre-lits ou de feuilles de plastique peuvent devenir des chambres hermétiques causant la suffocation. Placez tous les matériaux dans un contenant à ordures ou rendez-les inaccessibles aux enfants.
- Pour réduire le risque de blessures graves ou mortelles, suivez toutes les instructions d'installation de ce manuel.


Les instructions contenues dans ce manuel et toute la documentation fournie avec cette sècheuse ne visent pas à couvrir toutes les conditions et situations possibles qui pourraient se produire. Lors de l'installation, du fonctionnement et de l'entretien de tout appareil, il FAUT faire preuve de bonnes pratiques et de prudence.



AVERTISSEMENT

Pour votre sécurité, les informations contenues dans ce manuel doivent être suivies afin de minimiser les risques d'incendie ou d'explosion ou pour éviter des dommages matériels, des blessures corporelles ou la perte de vie. NE PAS entreposer ou utiliser de l'essence ou d'autres liquides et vapeurs inflammables à proximité de cet appareil ou de tout autre appareil.

Définitions

 Il s'agit du symbole d'alerte de sécurité. Ce symbole est utilisé pour vous avertir des dangers potentiels de blessures. Respectez tous les messages de sécurité qui suivent ce symbole afin d'éviter de possibles blessures ou la mort.



DANGER

DANGER indique une situation dangereuse imminente qui, si elle n'est pas évitée, entraînera la mort ou des blessures graves.



AVERTISSEMENT

AVERTISSEMENT indique une situation potentiellement dangereuse qui, si elle n'est pas évitée, peut entraîner des blessures graves ou le décès.



MISE EN GARDE

MISE EN GARDE indique une situation potentiellement dangereuse qui, si elle n'est pas évitée, peut entraîner des blessures mineures ou modérées.



IMPORTANT

IMPORTANT indique les instructions d'installation, de fonctionnement ou d'entretien importants, mais non liés aux dangers.



AVERTISSEMENT

RISQUE D'INCENDIE

Pour réduire le risque d'incendie, d'électrocution ou de blessure aux personnes lors de l'utilisation de cette sècheuse, respectez les avertissements de base énumérés ci-dessous. Le non-respect de ces Directives importantes sur la sécurité et des avertissements pourrait entraîner des dommages matériels, des blessures graves ou la mort.

Prévention des incendies

- NE PAS sécher les articles préalablement nettoyés, trempés ou tachés avec de l'essence, des solvants de nettoyage, du kérosène, des cires ou d'autres substances inflammables ou explosives. NE PAS ranger ces articles sur ou près de la sècheuse. Ces substances dégagent des vapeurs pouvant s'enflammer ou exploser.
- NE PAS placer d'articles exposés aux huiles de cuisson dans votre sècheuse. Les articles contaminés par des huiles de cuisson peuvent contribuer à une réaction chimique qui pourrait provoquer un incendie dans une brassée. Pour réduire le risque d'incendie causé par des brassées contaminées, la dernière partie d'un cycle de séchage par culbutage se produit sans chaleur (période de refroidissement). Évitez d'arrêter une sècheuse avant la fin du cycle de séchage à moins que tous les articles ne soient rapidement retirés et étalés afin que la chaleur soit dissipée.
- NE PAS sécher les articles contenant du caoutchouc, du plastique ou des matériaux similaires comme les soutiens-gorge, les couvre-chaussures, les tapis de bain, les tapis, les bavoirs, les pantalons pour bébé, les sacs en plastique et les oreillers qui peuvent fondre ou brûler. Dans certaines circonstances, certains matériaux en caoutchouc lorsqu'ils sont chauffés peuvent provoquer un incendie par combustion spontanée.
- NE PAS faire fonctionner la sècheuse si le filtre à peluches est bloqué, endommagé ou manquant. Un risque d'incendie, de surchauffe et de dommages aux tissus peut se produire.
- NE PAS obstruer le débit d'air de ventilation. NE PAS empiler ou placer de linge ou de tapis contre l'avant ou l'arrière de la sècheuse.



AVERTISSEMENT

RISQUE D'INCENDIE

Nettoyez le filtre à peluches avant ou après chaque brassée. **L'intérieur de la sècheuse, le boîtier du filtre à peluches et le conduit d'évacuation doivent être nettoyés environ tous les 18 mois par un professionnel de service qualifié.** Une accumulation excessive de peluches dans ces zones pourrait entraîner un séchage inefficace et un incendie possible. Voir *Entretien et nettoyage*.



AVERTISSEMENT

RISQUE D'INCENDIE

Une sècheuse produit des peluches combustibles. La sècheuse doit être raccordée à un tuyau d'évacuation extérieur. Inspectez régulièrement l'ouverture d'évacuation extérieure et éliminez toute accumulation de peluches autour de l'ouverture et dans la zone environnante.

- NE PAS vaporiser d'aérosol dans, sur ou près de la sècheuse à aucun moment.

- NE PAS utiliser d'assouplisseur ou de produit pour éliminer l'électricité statique, sauf si recommandé par le fabricant de l'assouplisseur ou du produit.



AVERTISSEMENT

CESSER l'utilisation de la sècheuse si des couinements, des grincements, des frottements ou d'autres bruits inhabituels se font entendre. Ceux-ci pourraient indiquer une panne mécanique et entraîner un incendie ou des blessures graves. **Communiquez immédiatement avec un technicien qualifié.**

- Le non-respect de ces avertissements pourrait entraîner un incendie, une explosion, des blessures graves ou des dommages à la sècheuse.

Protection des enfants

- NE PAS laisser d'enfants jouer sur ou dans la sècheuse. Une surveillance étroite des enfants est nécessaire lorsque la sècheuse est utilisée en présence d'enfants. À mesure que les enfants grandissent, leur enseigner l'utilisation adéquate et sécuritaire de tous les appareils.
- Détruisez le carton, le sac en plastique et les autres matériaux d'emballage après le déballage de la sècheuse. Les enfants peuvent s'en servir pour jouer. Les cartons recouverts de tapis, de couvre-lits ou de feuilles de plastique peuvent devenir des chambres hermétiques.
- Garder les produits pour la lessive hors de portée des enfants. Pour éviter les blessures corporelles, observez tous les avertissements sur les étiquettes du produit.
- Avant de mettre la sècheuse hors service ou de la jeter, retirez la porte de la sècheuse pour éviter tout emprisonnement accidentel.
- Le non-respect de ces avertissements pourrait entraîner des blessures graves.

Risque d'emprisonnement de l'enfant

L'emprisonnement et la suffocation des enfants ne sont pas des problèmes du passé. Les laveuses et les sècheuses abandonnées ou mises aux rebuts sont toujours dangereuses, même si elles restent là pour « quelques jours seulement ». Si vous vous débarrassez de votre ancienne laveuse ou sècheuse, veuillez suivre les instructions ci-dessous pour réduire le risque d'accident.

Nous encourageons fortement les méthodes responsables de recyclage ou d'élimination des appareils. Contactez le bureau de l'énergie de votre État ou province, les services publics

d'électricité et d'eau locaux ou le bureau du programme de conservation ou visitez le site www.energystar.gov/recycle pour obtenir plus de renseignements sur le recyclage de votre ancienne laveuse ou sècheuse.

Avant de jeter votre vieille laveuse ou sècheuse :

- Retirez les portes.
- Retirez le cordon d'alimentation électrique.
- Fixez tous les tuyaux et tuyaux de vidange pour empêcher l'eau de s'échapper et de créer un risque de glissade.

Prévention des blessures

- Pour éviter les risques d'électrocution et assurer la stabilité pendant le fonctionnement, la sècheuse doit être installée et mise à la terre par un technicien qualifié conformément aux codes locaux. Les instructions d'installation sont incluses dans ce manuel à titre de référence. Reportez-vous aux sections portant sur l'installation pour obtenir les procédures détaillées de mise à la terre. Si la sècheuse est déplacée vers un nouvel emplacement, faites-la vérifier et réinstaller par un professionnel qualifié.
- Pour éviter les blessures corporelles ou les dommages à la sècheuse, le cordon d'alimentation électrique de la sècheuse doit être branché dans une prise à 3 broches correctement mise à la terre et polarisée. La troisième broche de mise à la terre ne doit jamais être retirée. Ne mettez jamais la sècheuse à la terre sur un tuyau de gaz. NE PAS utiliser de rallonge ni d'adaptateur.
- TOUJOURS débrancher la sècheuse de l'alimentation électrique avant d'essayer un entretien ou un nettoyage. Le non-respect de cette consigne peut entraîner une électrocution ou des blessures.
- NE PAS utiliser de nettoyant en vaporisateur lors du nettoyage de l'intérieur de la sècheuse. Des émanations dangereuses ou une décharge électrique pourraient se produire.
- Pour éviter les blessures, NE PAS accéder au tambour de la sècheuse s'il est en mouvement. Attendez que la sècheuse s'arrête complètement avant d'accéder au tambour.

Prévenir les blessures et les dommages à la sècheuse

- Toutes les réparations et l'entretien doivent être effectués par un technicien d'entretien agréé, sauf indication contraire dans ce *Manuel d'utilisation et d'entretien*. Utilisez uniquement des pièces d'usine autorisées.
- NE PAS modifier les commandes.

- NE PAS s'asseoir, marcher ou se tenir debout sur la sècheuse. NE PAS poser de charges lourdes sur le dessus. La sècheuse n'est pas conçue pour supporter un poids.
- NE PAS installer ni ranger la sècheuse là où elle sera exposée à de l'eau stagnante, des gouttes d'eau ou des conditions météorologiques extérieures.
- Les interrupteurs thermiques éteignent automatiquement le moteur dans le cas peu probable d'une surchauffe. Un technicien de service doit remplacer le ou les interrupteurs thermiques après avoir corrigé la défaillance.
- Le non-respect de ces avertissements pourrait entraîner des blessures graves.
- N'utilisez pas de pièces de rechange non recommandées par le fabricant (par exemple des pièces fabriquées à la maison à l'aide d'une imprimante 3D).



AVERTISSEMENT

RISQUE D'INCENDIE/D'ÉLECTROCUTION

Évitez les risques d'incendie ou d'électrocution. N'UTILISEZ PAS d'adaptateur de fiche ou de rallonge et ne retirez pas la broche de mise à la terre du cordon d'alimentation électrique. Le non-respect de cet avertissement peut causer des blessures graves, un incendie ou la mort.

Sècheuse électrique de 240 V

10-30R
3 fils

(fonctionne avec
des fusibles
de 30 ampères)



14-30R
4 fils

(fonctionne avec
des fusibles
de 30 ampères)



Un cordon d'alimentation certifié UL doit être installé sur les sècheuses électriques (non inclus, sauf pour les modèles fabriqués pour être vendus au Canada).

Sècheuse à gaz de 120 V

Prise murale avec mise à la terre



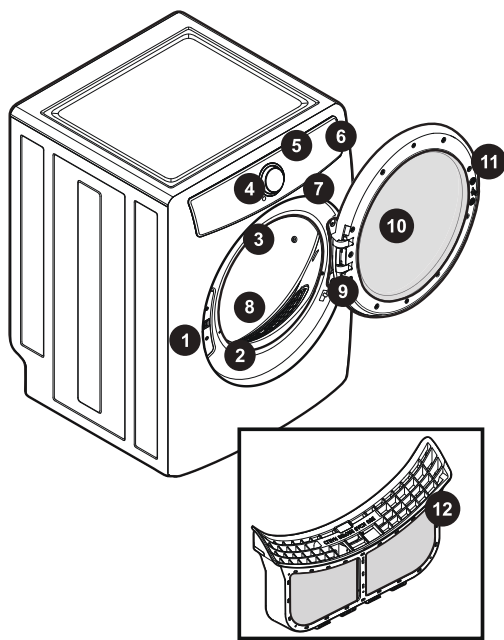
Il ne faut en aucun cas couper, enlever ou contourner la broche de mise à la terre.



Cordon d'alimentation avec fiche à trois broches avec mise à la terre



56 CARACTÉRISTIQUES



Tous les cycles, toutes les options ou toutes les fonctionnalités énumérés ne sont pas disponibles sur l'ensemble des modèles.

1. Loquet de porte	7. Numéro de série et numéro de modèle
2. Capteur d'humidité monté à l'avant (sur certains modèles)	8. 3 Ailettes de tambour
3. Éclairage du tambour (sur certains modèles)	9. Charnière de porte à grand angle
4. Sélecteur de cycle	10. Porte réversible
5. Affichage LED	11. Gâche de porte
6. Verrouillage des commandes	12. Filtre à peluches LuxCare ^{MC}

Reportez-vous au tableau ci-dessous pour obtenir un aperçu des caractéristiques disponibles pour chaque série de modèles.

	Antistatique	Perfect Steam (Vapeur parfaite)	Défroissage	Culbutage prolongé	Éclairage du tambour	Départ différé	Verrouillage des commandes	Allergen (Allergènes)	Wear it Again (Portez-le à nouveau)	Sanitize (Désinfecter)	Eco Dry (Eco séchage)	Séchage rapide
Série 300	non	non	oui	oui	non	oui	oui	non	non	non	oui	20 min
Série 400	non	oui	oui	oui	oui	oui	oui	non	non	oui	oui	18 min
Série 500	oui	oui	oui	oui	oui	oui	oui	oui	non	oui	oui	15 min
Série 600	oui	oui	oui	oui	oui	oui	oui	oui	non	oui	oui	15 min
Série 700	oui	oui	oui	oui	oui	oui	oui	non	oui	oui	oui	15 min

**Liste de contrôle d'installation****Ventilation du système d'évacuation**

- Circulation d'air fluide, libre de peluches
- Conduits de transition et coudés en métal rigide ou semi-rigide de 4 po (102 mm) les plus courts possibles
- AUCUN matériel de ventilation en aluminium ou en plastique
- Hotte à évacuation approuvée évacuant à l'extérieur

Mise à niveau

- La sècheuse est à niveau sur les côtés et de l'avant vers l'arrière
- L'unité est solidement en position sur ses quatre pieds.

Alimentation en gaz (sècheuse à gaz)

- Soupape d'arrêt manuelle présente sur la ligne d'alimentation
- Tous les raccords sont scellés avec un scellant et une clé approuvés
- Trousse de conversion pour le système GPL #PCK4200 (non inclus) et doit être acheté séparément
- Alimentation en gaz activée
- Aucune fuite présente aux raccords - Vérifier avec de l'eau savonneuse, NE JAMAIS vérifier avec une flamme

Raccordement à l'eau (certains modèles)

- Inspection des tuyaux pour vérifier que les rondelles en caoutchouc sont bien placées

- L'alimentation en eau est activée
- Vérification de la présence de fuites
- Les modèles de sècheuse à vapeur nécessitent l'utilisation de la TROUSSE de TUYAU D'ASSEMBLAGE numéro 5304495002 (non incluse) et elle doit être achetée séparément.

Alimentation électrique 240 V (sècheuse électrique)

- Cordon d'alimentation homologué NEMA 10-30 ou 14-30 avec toutes les vis serrées sur le bornier
- Réducteur de tension approuvé installé
- Couvercle d'accès au panneau installé avant l'utilisation initiale

Inversion de la porte

- Suivre les instructions détaillées de ce manuel
- Contrôle du fonctionnement de la charnière et du loquet

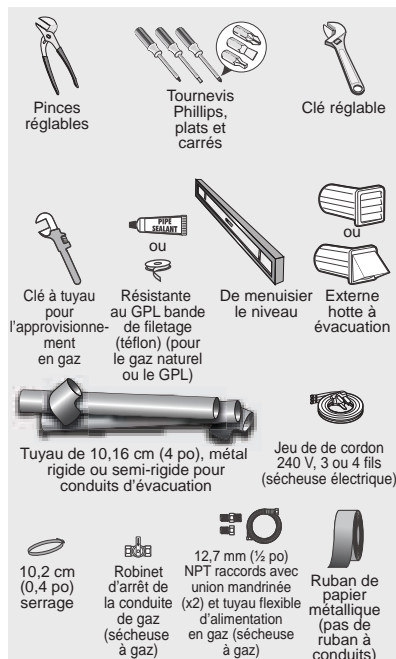
Alimentation électrique

- Alimentation électrique de la résidence sous tension
- Sècheuse branchée

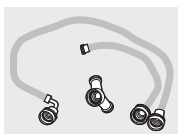
Vérifications finales

- Instructions d'installation et manuel d'utilisation et d'entretien lus attentivement
- La porte s'enclenche et le tambour tourne au démarrage du cycle
- Carte d'enregistrement envoyée

Outils et matériaux nécessaires pour l'installation :



LA TROUSSE DE TUYAU D'ASSEMBLAGE – N/P 5304495002, pour les modèles à vapeur seulement, n'est pas incluse et elle doit être achetée séparément.



Exigences en matière de système électrique

REMARQUE

En raison des capacités de tension potentiellement incohérentes, l'utilisation de cette sècheuse avec une alimentation provenant de générateurs à essence, de générateurs à énergie solaire, de générateurs à énergie éolienne ou tout autre générateur autre que ceux de l'entreprise de services publics locale n'est pas recommandée.

Exigences électriques pour la sècheuse électrique :

CIRCUIT – Circuit de dérivation individuel de 30 ampères avec fusibles à fusion temporisée ou disjoncteurs de 30 ampères. Utilisez des circuits à fusibles séparés pour la laveuse et la sècheuse. **NE PAS** faire fonctionner la laveuse et la sècheuse sur le même circuit.

BLOC D'ALIMENTATION – 3 ou 4 fils, 120/240 V, monophasé, 60 Hz, courant alternatif.

REMARQUE

Une alimentation de courant alternatif de 120/208 V, monophasée, 60 Hz peut être utilisée sur les sècheuses dont la plaque signalétique l'indique.

REMARQUE

La sècheuse électrique a été conçue et certifiée pour fonctionner à 240 V et à 208 V. Les temps de séchage sur une alimentation de 208 V seront cependant environ 20 % plus longs que les temps de séchage sur une alimentation de 240 V. Il s'agit d'un comportement normal et attendu qui s'applique à tous les cycles de séchage.



AVERTISSEMENT

RISQUE D'INCENDIE

- Le non-respect des avertissements de sécurité peut entraîner des blessures graves, la mort ou des dommages matériels.
- NE PAS installer de ventilateur de surpression dans le conduit d'évacuation de la sècheuse.
- Installer toutes les sècheuses conformément aux instructions d'installation du présent manuel.



IMPORTANT

La sècheuse est mise à la terre par le conducteur neutre, sauf si elle a été fabriquée pour la vente au Canada.

Seul un cordon à quatre (4) conducteurs doit être utilisé lorsque l'appareil est installé dans un endroit où la mise à la terre par le conducteur neutre est interdite. La mise à la terre par la liaison neutre est interdite pour : (1) les nouvelles installations de circuit de dérivation, (2) les maisons mobiles, (3) les véhicules récréatifs et (4) les zones où les codes locaux **NE PERMETTENT PAS** la mise à la terre en utilisant le neutre.

Cordon d'alimentation à 3 fils (non fourni)



Prise à 3 fils
(NEMA type 10-30R)

La sècheuse DOIT utiliser un cordon d'alimentation à 3 conducteurs NEMA 10-30 de type SRDT de 240 V c.a. minimum, 30 ampères, avec 3 connecteurs à cosse à fourche à extrémité ouverte avec des extrémités renversées ou des connecteurs à boucle fermée et identifiés pour utilisation avec des sècheuses. Pour les instructions de connexion du cordon à 3 fils, voir « Connexion électrique (hors Canada) – Cordon à 3 fils » dans la section Installation électrique.

PRISE DE COURANT – La prise NEMA 10-30R doit être située de manière à ce que le cordon d'alimentation soit accessible lorsque la sècheuse est en position d'installation.

CONNEXION DE MISE À LA TERRE – Voir « Exigences de mise à la terre » dans la section Installation électrique.

Cordon d'alimentation à 4 fils (non fourni)



Prise à 4 fils
(NEMA type 14-30R)

La sècheuse DOIT utiliser un cordon d'alimentation à 4 conducteurs NEMA 14-30 de type SRDT ou DRT (s'il y a lieu) de 240 V c.a. minimum, 30 ampères, avec 4 connecteurs à cosse à fourche à extrémité ouverte avec des extrémités renversées ou des connecteurs à boucle fermée et identifiés pour utilisation avec des sècheuses. Pour les instructions de connexion du cordon à 4 fils, voir « Connexion électrique (hors Canada) – Cordon à 4 fils » dans la section Installation électrique.



REMARQUE

Les sècheuses fabriquées pour la vente au Canada ont un cordon d'alimentation à 4 fils installé en usine (NEMA 14-30).

PRISE DE COURANT – La prise NEMA 14-30R doit être située de manière à ce que le cordon d'alimentation soit accessible lorsque la sècheuse est en position d'installation.

CONNEXION DE MISE À LA TERRE – Voir « Exigences de mise à la terre » dans la section Installation électrique.

Exigences électriques pour la sècheuse à gaz :

CIRCUIT – Circuit de dérivation individuel de 15 A correctement polarisé et mis à la terre avec fusibles temporisés de 15 A ou disjoncteurs de 15 A.

BLOC D'ALIMENTATION – 2 fils, avec mise à la terre, 120 V, monophasé, 60 Hz, courant alternatif.

CORDON D'ALIMENTATION – La sècheuse est équipée d'un cordon d'alimentation à 3 fils de 120 V.

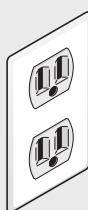
CONNEXION DE MISE À LA TERRE – Voir « Exigences de mise à la terre » dans la section Installation électrique.



AVERTISSEMENT

Une mise à la terre inadéquate de la sècheuse peut causer des blessures graves ou la mort. En cas de doute sur la bonne mise à la terre de l'appareil, consultez un électricien agréé.

Prise murale avec mise à la terre



Il ne faut en aucun cas couper, enlever ou contourner la broche de mise à la terre.



Cordon d'alimentation avec fiche à trois broches avec mise à la terre

Exigences en matière d'alimentation en gaz



AVERTISSEMENT

RISQUE D'EXPLOSION

Les tuyaux en cuivre non revêtus se corrodent lorsqu'ils sont soumis au gaz naturel, causant des fuites de gaz. Utilisez UNIQUEMENT des tuyaux en fer noir, en acier inoxydable ou en laiton recouvert de plastique pour l'alimentation en gaz.

60 EXIGENCES PRÉALABLES À L'INSTALLATION

1. L'arrivée du gaz vers la sècheuse doit être conforme aux codes et ordonnances locaux et à la dernière édition du National Fuel Gas Code ANSI Z223.1/
2. NFPA 54, ou au Canada, le Code d'installation du gaz naturel et du propane, CSA B149.1.
3. La conduite d'alimentation en gaz doit être un tuyau de 1/2 po (1,27 cm).
4. Si les codes le permettent, des tuyaux métalliques flexibles peuvent être utilisés pour raccorder votre sècheuse à la conduite d'alimentation en gaz. Le tuyau DOIT être fabriqué en acier inoxydable ou en laiton recouvert de plastique.
5. La conduite d'alimentation en gaz DOIT avoir une soupape d'arrêt individuelle installée conformément au Code d'installation du gaz naturel et du propane, B149.1.
6. Un bouchon fileté de 1/8 po (0,32 cm) de norme NPT accessible pour le raccordement de la jauge d'essai, DOIT être installé immédiatement en amont du raccordement de l'alimentation en gaz à la sècheuse.
7. La sècheuse DOIT être débranchée du système de tuyauterie d'alimentation en gaz pendant tout test de pression du système de tuyauterie d'alimentation en gaz à des pressions d'essai supérieures à 1/2 psig (3,45 kPa).
8. La sècheuse DOIT être isolée du système de tuyauterie d'alimentation en gaz pendant tout test de pression du système de tuyauterie d'alimentation en gaz à des pressions d'essai égales ou inférieures à 1/2 psig (3,45 kPa).
9. Les connexions pour l'alimentation en gaz doivent être conformes à la norme ANSI Z21.24/CSA 6.10 pour les connecteurs d'appareils au gaz.

Exigences du système d'évacuation

Utilisez uniquement un conduit métallique rigide ou semi-rigide de 4 po (102 mm) de diamètre (minimum) et une hotte à évacuation approuvée avec un registre pivotant ou des registres qui s'ouvrent lorsque la sècheuse est en marche. Lorsque la sècheuse s'arrête, le ou les registres se ferment automatiquement pour empêcher les courants d'air et l'entrée des insectes et des rongeurs. Pour éviter de restreindre la sortie, maintenez un dégagement minimum de 12 po (30,5 cm) entre la hotte et le sol ou toute autre obstruction.



AVERTISSEMENT

RISQUE D'INCENDIE

Le non-respect de ces instructions peut entraîner des temps de séchage excessifs et des risques d'incendie.

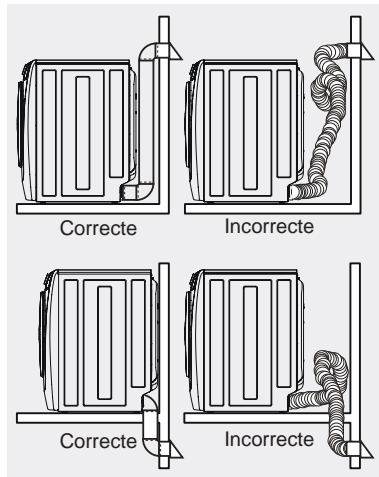
Voici les exigences spécifiques pour un fonctionnement correct et sécuritaire de votre sècheuse.



AVERTISSEMENT

RISQUE D'INCENDIE

- Le non-respect des avertissements de sécurité peut entraîner des blessures graves, la mort ou des dommages matériels.
- **NE PAS** installer de ventilateur de surpression dans le conduit d'évacuation de la sècheuse.
- Installer toutes les sècheuses conformément aux instructions d'installation du présent manuel.





AVERTISSEMENT

RISQUE D'INCENDIE

- L'évacuation de l'air d'une sècheuse doit se faire à l'extérieur.
- **NE PAS** évacuer la sècheuse dans une cheminée, un mur, un plafond, un grenier, un vide sanitaire ou tout espace dissimulé d'un bâtiment.
- Une sècheuse produit des peluches combustibles. Si l'évacuation de la sècheuse ne peut se faire à l'extérieur, des peluches fines seront expulsées dans la salle de lavage. Une accumulation de peluches dans n'importe quel espace de la maison peut créer un risque de santé et d'incendie.
- La sècheuse doit être raccordée à un tuyau d'évacuation extérieur.
- Inspectez régulièrement l'ouverture d'évacuation extérieure et éliminez toute accumulation de peluches autour de l'ouverture et dans la zone environnante.



AVERTISSEMENT

RISQUE D'INCENDIE

- **NE PAS** laisser de matériaux combustibles (par exemple : des vêtements, des rideaux ou du papier) entrer en contact avec le système d'évacuation. La sècheuse **NE DOIT PAS** être évacuée dans un évier de gaz, une cheminée, un mur, un plafond ou tout espace dissimulé d'un bâtiment qui peut accumuler de la charpie, entraînant un risque d'incendie.
- **NE PAS** installer de grille sur les extrémités d'évacuation du système de ventilation ni utiliser de vis, de rivets ou d'autres fixations qui s'étendent dans le conduit pour assembler le système d'évacuation.

Aucune grille, protection ni aucun grillage, ne doit recouvrir l'ouverture d'évacuation extérieure.

Les peluches peuvent se coincer dans la grille, le grillage, la protection ou sur les vis ou les rivets, obstruant les conduits et créant un risque d'incendie ainsi qu'une augmentation des temps de séchage. Utilisez une hotte à évacuation approuvée pour terminer le conduit à l'extérieur et scellez tous les joints avec du ruban métallique. Tous les raccords de conduit mâles **DOIVENT** être installés en aval avec le débit d'air.



AVERTISSEMENT

RISQUE D'INCENDIE

Ne jamais dépasser plus de quatre coudes de 90° dans le système de conduit d'évacuation. Le dépassement de la longueur du conduit ou du nombre de coudes permis dans les tableaux « LONGUEUR MAXIMALE » peut provoquer une accumulation de peluches dans le système d'évacuation. Le fait de boucher le système pourrait créer un risque d'incendie et augmenter les temps de séchage.

Nombre maximum de coudes à 90°	LONGUEUR MAXIMALE de conduit métallique rigide de 4 po (102 mm)		
	TYPE DE HOTTE À ÉVACUATION		
	(préférés)		
	4 po (10,2 cm)	à persiennes	2,5 po (6,35 cm)
0	125 pi (38 m)		110 pi (33,5 m)
1	115 pi (35 m)		100 pi (30,5 m)
2	105 pi (32 m)		90 pi (27,5 m)
3	95 pi (29 m)		80 pi (24,5 m)
4	85 pi (26 m)		70 pi (21,5 m)



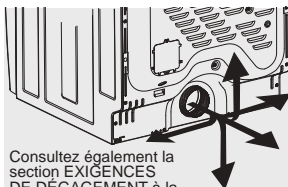
AVERTISSEMENT

RISQUE D'INCENDIE

- **NE PAS** installer de matériel de ventilation en plastique souple ou en métal flexible.
- **NE PAS** excéder la longueur de conduit maximale de 8 pi (2,4 m), si vous installez un conduit d'évacuation semi-rigide.
- **NE PAS** utiliser de vis, de rivets ou d'autres fixations qui s'étendent dans le conduit pour assembler le système d'évacuation.

Direction de l'évacuation

L'évacuation directionnelle peut être réalisée en installant un coude d'évent de sècheuse à 90° à rotation rapide directement à la sortie d'évacuation de la sècheuse. Des coudes de ventilation de sècheuse sont disponibles auprès de votre quincaillerie ou distributeur de pièces local.



Consultez également la section EXIGENCES DE DÉGAGEMENT à la page suivante.

62 EXIGENCES PRÉALABLES À L'INSTALLATION

REMARQUE

L'utilisation d'un coude à rotation rapide de 90° est nécessaire pour respecter la profondeur d'installation minimale.



- Faire fonctionner le système d'évacuation dans une zone non isolée peut provoquer de la condensation et une accumulation plus rapide de peluches.
- La compression ou le sertissage du système d'évacuation entraînera une augmentation de la restriction de l'évent.
- **Le circuit d'évacuation doit être vérifié et nettoyé au moins tous les 18 mois dans des conditions normales d'utilisation.** Plus la sècheuse est utilisée, plus vous devriez vérifier que le système d'évacuation et la hotte à évacuation fonctionnent bien et qu'ils sont libres d'obstructions.

AVERTISSEMENT

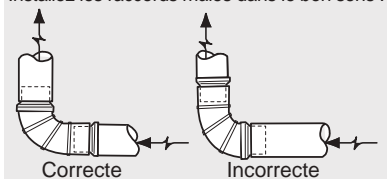
RISQUE D'INCENDIE

NE PAS installer la sècheuse dans un endroit où de l'essence ou d'autres produits inflammables sont entreposés. Si la sècheuse est installée dans un garage, elle doit être à au moins 18 po (45,7 cm) au-dessus du sol. Le non-respect de cette consigne peut entraîner la mort, une explosion, un incendie ou des brûlures.

Dans les installations où le système d'évacuation n'est pas décrit dans les tableaux, la méthode suivante doit être utilisée pour déterminer s'il est acceptable :

1. Connecter un manomètre incliné ou numérique entre la sècheuse et le point où le conduit d'évacuation est connecté à la sècheuse.
2. Régler la minuterie et la température de la sècheuse sur « **air froid** » (refroidissement) et mettre la sècheuse en marche.
3. Lire la mesure sur le manomètre.
4. La contre-pression du système NE DOIT PAS être supérieure à 1 po (2,54 cm) de colonne d'eau. Si la contre-pression est inférieure à 1 po (2,54 cm) de colonne d'eau, le système est acceptable. Si le manomètre indique plus de 1 po (2,54 cm) de colonne d'eau, le système est trop restrictif et l'installation n'est pas acceptable.

Installez les raccords mâles dans le bon sens :



Bien que l'orientation verticale du système d'évacuation soit acceptable, certaines circonstances atténuantes pourraient affecter les performances de la sècheuse :

- Seul un conduit en métal rigide doit être utilisé.
- Une ventilation verticale à travers un toit peut exposer le système d'évacuation à des courants d'air descendants, entraînant ainsi une augmentation de la restriction de l'évent.

Installation dans une maison préfabriquée ou une maison mobile

1. L'installation DOIT être conforme aux normes actuelles de la Manufactured Home Construction & Safety Standard, titre 24 CFR, partie 32-80 (anciennement connue sous le nom de Federal Standard for Mobile Home Construction and Safety, titre 24, HUD, partie 280) ou à la norme CAN/CSA-Z240 MH.
2. L'évacuation de la sècheuse DOIT se faire à l'extérieur (à l'air libre et non sous la maison mobile) à l'aide de conduits en métal qui ne favorisent pas la combustion. Les conduits en métal doivent avoir un diamètre de 4 po (10,16 cm) et ne doivent pas être obstrués. Les conduits en métal rigide sont préférables.
3. Si l'évacuation de la sècheuse se fait à travers le plancher et si l'espace sous la maison mobile est cloisonné, le système d'évacuation DOIT se terminer en dehors de l'espace cloisonné et la sortie doit être solidement fixée à une partie non combustible de la structure de la maison mobile.
4. Reportez-vous aux sections précédentes du présent manuel pour d'autres exigences importantes en matière de ventilation du système d'évacuation.
5. Lors de l'installation d'une sècheuse à gaz dans une maison mobile, il faut prévoir un espace pour permettre l'entrée d'air d'appoint de l'extérieur. L'espace à prévoir doit être supérieur à deux fois celui du conduit d'évacuation de la sècheuse.
6. L'installateur DOIT ancrer (1) la sècheuse ou (2) la sècheuse montée sur un socle au plancher à l'aide de la trousse d'installation pour maison mobile approuvée - N/P 137067200.

Exigences en matière de dégagement



IMPORTANT

NE PAS INSTALLER VOTRE SÉCHEUSE :

1. Dans une zone exposée à de l'eau stagnante, des gouttes d'eau ou des conditions météorologiques extérieures.
2. Dans un endroit où elle entrera en contact avec des rideaux ou tout autre objet qui obstrue le débit d'air de combustion et de ventilation.
3. Sur de la moquette. Le sol DOIT être solide avec une pente maximale de 1 po (2,54 cm).

Installation dans un encastrement ou dans un placard

1. Une sècheuse installée dans un encastrement ou dans un placard DOIT posséder une évacuation sur l'extérieur.
2. Aucun autre appareil à combustible ne doit être installé dans le même encastrement ou dans le même placard qu'une sècheuse à gaz.
3. Votre sècheuse a besoin d'espace autour d'elle pour une ventilation adéquate. Voir le tableau « Exigences en matière de dégagement ».
4. Une ouverture minimale de 120 po² pour la ventilation de l'entrée d'air dans l'encastrement ou le placard est requise afin d'assurer un débit d'air adéquat vers la sècheuse.
5. Pour assurer la ventilation de l'entrée d'air dans l'encastrement ou dans le placard, on peut procéder de plusieurs manières : ajouter une ouverture de 120 po², répartie de manière égale en haut et en bas de la porte et située à 3 po du bas et du haut de la porte;

ou, en ajoutant 120 po² d'ouvertures de ventilation au mur supérieur, latéral ou arrière du placard, si le mur est adjacent à une pièce ouverte, un couloir ou l'extérieur;

ou, une porte à persiennes avec des ouvertures équivalentes équivalant à 120 po² de ventilation sur toute la longueur de la porte est acceptable.

Il n'est **PAS** autorisé de dériver les 120 po² de ventilation de l'espace entre les bords de la porte et le boîtier ou le sol.

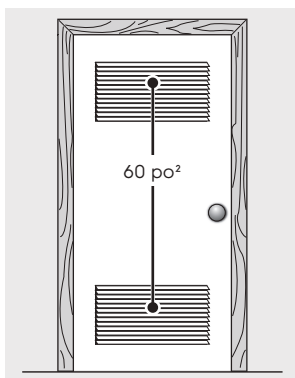
** La présence d'ouvertures de ventilation forcée pour le chauffage et la climatisation dans le placard ne satisfait PAS à l'exigence de ventilation de 120 po² du placard.



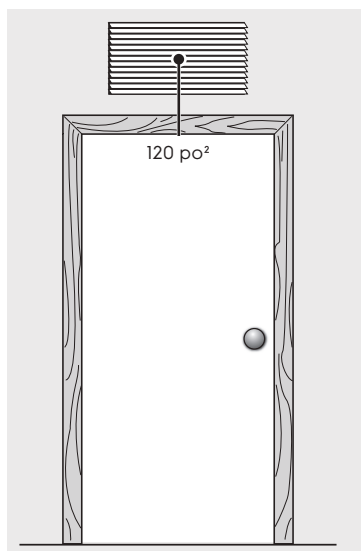
REMARQUE

Pour réaliser une installation avec un dégagement de 0 po (0 cm) à l'arrière de la sècheuse (pour une ventilation autre que celle à l'arrière), un coude de ventilation de sècheuse de 90° à rotation rapide doit être installé comme décrit précédemment dans ce manuel.

Pour toute installation autre qu'une ventilation arrière, un coude de ventilation de sècheuse de 90° à rotation rapide doit être installé pour réaliser une installation avec un dégagement de 0 po (0 cm).



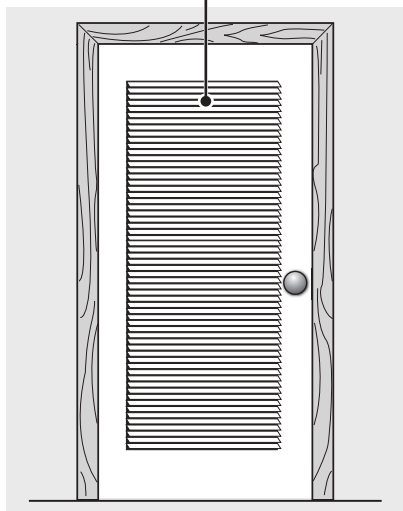
Porte d'aération de 120 po² à deux vantaux égaux



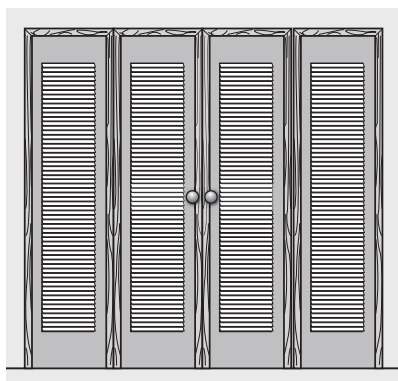
Porte massive avec ventilation murale

64 EXIGENCES PRÉALABLES À L'INSTALLATION

Ouverture à persiennes
de 120 po² minimum

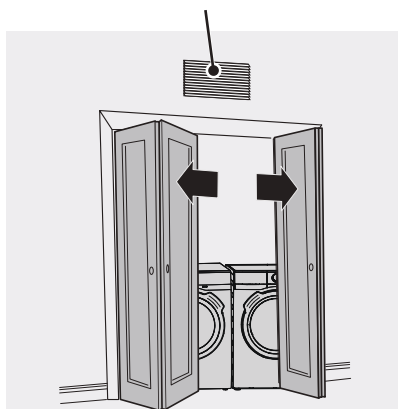


Porte à persiennes



Portes à persiennes pliantes à deux vantaux avec ventilation de 120 po²

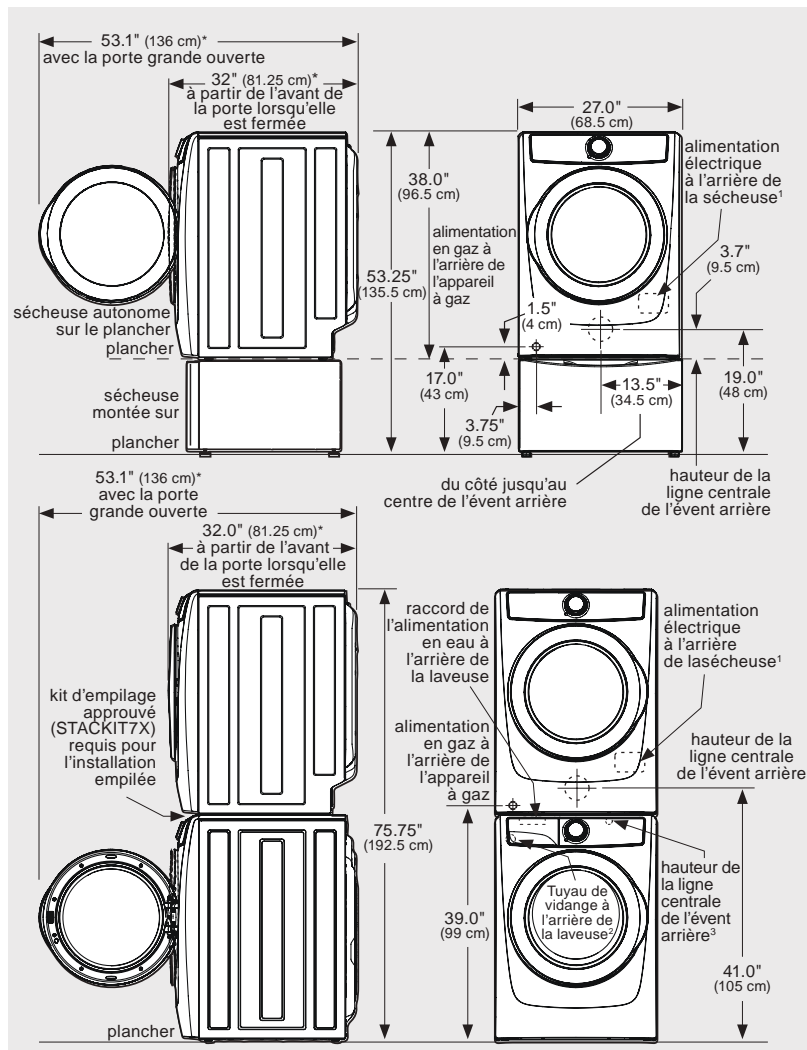
Ventilation murale de 120 po²



Portes massives pliantes à deux vantaux sans ventilation

DÉGAGEMENTS D'INSTALLATION MINIMUMS - Pouces (cm)				
	Côtés	Arrière	Haut	Avant
Alcôve/ Encastrement	0 po (0 cm)	0 po (0 cm)	0 po (0 cm)	Ouvert
Placard avec évent de porte	0 po (0 cm)	0 po (0 cm)	0 po (0 cm)	1 po (2,5 cm)
Placard avec évent mural	1 po (2,5 cm)	1 po (2,5 cm)	1 po (2,5 cm)	1 po (2,5 cm)

Dimensions de la sécheuse



* Le raccordement du tuyau d'admission d'eau de la sécheuse à vapeur ajoute 3/4 po (2 cm) à la profondeur d'installation.

¹ Longueur du cordon d'alimentation de la sécheuse à gaz ou de la sécheuse électrique canadienne : environ 60 po (152,5 cm).

² Longueur du tuyau de vidange de la laveuse : environ 59 po (150 cm).

³ Longueur du cordon d'alimentation de la laveuse : environ 60 po (152,5 cm).

66 INSTALLATION

Branchement du système électrique

Voici les exigences spécifiques pour une installation électrique correcte et sécuritaire de votre sècheuse. Le non-respect de ces instructions peut entraîner une électrocution ou un risque d'incendie.



AVERTISSEMENT

RISQUE D'ÉLECTROCUTION

- Cet appareil **DOIT** être correctement mis à la terre. Une décharge électrique peut se produire si la sècheuse n'est pas correctement mise à la terre. Suivez les instructions de ce manuel pour une mise à la terre adéquate.
- **NE PAS** utiliser une rallonge avec cette sècheuse. Certaines rallonges ne sont pas conçues pour résister aux quantités de courant électrique que cette sècheuse utilise et peut fondre, créant ainsi un risque d'électrocution ou d'incendie. Placez la sècheuse près de la prise pour connaître la longueur de cordon d'alimentation à acheter, en laissant un peu de jeu dans le cordon. Consultez la section *Exigences préalables à l'installation* de ce manuel pour connaître le cordon d'alimentation approprié à acheter.



AVERTISSEMENT

RISQUE D'ÉLECTROCUTION

- Un réducteur de tension approuvé par l'U. L. doit être installé sur le cordon d'alimentation. Si le réducteur de tension n'est pas fixé, le cordon peut être retiré de la sècheuse et coupé par tout mouvement du cordon, ce qui peut provoquer une décharge électrique.
- **N'UTILISEZ PAS** une prise câblée en aluminium avec un cordon d'alimentation et une fiche en cuivre (ou vice versa). Une réaction chimique se produit entre le cuivre et l'aluminium et peut causer des courts-circuits électriques. Le câblage et la prise appropriés sont un cordon d'alimentation câblé en cuivre avec une prise câblée en cuivre.



REMARQUE

Les sècheuses fonctionnant sur une alimentation de 208 V auront des temps de séchage plus longs que les sècheuses fonctionnant sur une alimentation de 240 V.

La sècheuse, lorsqu'elle est installée, doit être mise à la terre conformément aux codes locaux et au Code national de l'électricité ANSI/NFPA 70 ou au Code canadien de l'électricité, Partie 1, CSA C22.1.

Exigences de mise à la terre – Sècheuse électrique (États-Unis)



AVERTISSEMENT

Une mise à la terre inadéquate de la sècheuse peut causer des blessures graves ou la mort. En cas de doute sur la bonne mise à la terre de l'appareil, consultez un électricien agréé.

Pour une sècheuse mise à la terre, dotée d'un cordon :

1. La sècheuse **DOIT** être mise à la terre. En cas de dysfonctionnement ou de panne, la mise à la terre réduira le risque d'électrocution en fournissant un chemin de moindre résistance au courant électrique.
2. Après avoir acheté et installé un cordon d'alimentation à 3 ou 4 fils avec un conducteur de mise à la terre de l'équipement et une fiche de mise à la terre correspondant à votre système de câblage, la fiche **DOIT** être branchée dans une prise appropriée câblée en cuivre qui est correctement installée et mise à la terre conformément à tous les codes et ordonnances locaux. En cas de doute, appelez un électricien agréé.
3. **NE PAS** modifier la fiche que vous avez installée sur cet appareil. Si elle ne s'insère pas dans la prise, faites installer une prise appropriée par un électricien qualifié.

Pour une sècheuse branchée en permanence :

La sècheuse doit être raccordée à un métal de mise à la terre, un système de câblage permanent ou un conducteur de mise à la terre de l'équipement qui doivent être acheminés avec les conducteurs du circuit et connectés à la borne ou au fil de mise à la terre de l'équipement de l'appareil.

Exigences de mise à la terre – Sécheuse électrique (Canada)



AVERTISSEMENT

Une mise à la terre inadéquate de la sécheuse peut causer des blessures graves ou la mort. En cas de doute sur la bonne mise à la terre de l'appareil, consultez un électricien agréé.

Pour une sécheuse mise à la terre, dotée d'un cordon :

1. La sécheuse **DOIT** être mise à la terre. En cas de dysfonctionnement ou de panne, la mise à la terre réduira le risque d'électrocution en fournissant un chemin de moindre résistance au courant électrique.
2. Comme votre sécheuse est équipée d'un cordon d'alimentation doté d'un conducteur de mise à la terre de l'équipement et d'une fiche de mise à la terre, la fiche doit être branchée dans une prise appropriée câblée qui est correctement installée et mise à la terre conformément à tous les codes et ordonnances locaux. En cas de doute, appelez un électricien agréé.
3. **NE PAS** modifier la fiche fournie avec cet appareil. Si elle ne s'insère pas dans la prise, faites installer une prise appropriée par un électricien qualifié.

Exigences de mise à la terre – Sécheuse à gaz

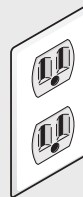
1. La sécheuse est équipée d'une fiche à trois broches (mise à la terre) pour votre protection contre les risques d'électrocution et elle doit être branchée directement dans une prise à trois broches correctement mise à la terre.
2. La fiche doit être branchée dans une prise appropriée qui est correctement installée et mise à la terre conformément à tous les codes et ordonnances locaux. En cas de doute, appelez un électricien agréé.
3. **NE PAS** modifier la fiche fournie avec cet appareil. Si elle ne s'insère pas dans la prise, faites installer une prise appropriée par un électricien qualifié.



AVERTISSEMENT

Une mise à la terre inadéquate de la sécheuse peut causer des blessures graves ou la mort. En cas de doute sur la bonne mise à la terre de l'appareil, consultez un électricien agréé.

Tomacorriente de pared con conexión a tierra



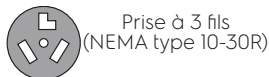
Bajo ninguna circunstancia corte, extraiga o desvíe las patas de conexión a tierra.



Cable de alimentación con enchufe de tres patas con conexión a tierra

68 INSTALLATION

Branchement électrique (hors Canada) – Cordon à 3 fils



AVERTISSEMENT

RISQUE D'ÉLECTROCUTION

Le fait de ne pas débrancher la source d'alimentation avant l'entretien pourrait entraîner des blessures corporelles, voire la mort.



AVERTISSEMENT

DANGER ÉLECTRIQUE

Étiquetez tous les fils avant de les débrancher lors de l'entretien des commandes. Les erreurs de câblage peuvent causer un fonctionnement inapproprié et dangereux. Vérifiez le bon fonctionnement après l'entretien.

1. Coupez l'alimentation électrique à la prise.
2. Retirez la vis fixant le couvercle d'accès du bornier dans le coin inférieur à l'arrière de la sècheuse.
3. Installez un réducteur de tension homologué UL conformément aux instructions du fabricant du cordon d'alimentation/réducteur de tension dans le trou d'entrée du panneau d'accès sous le panneau d'accès. Pour le moment, le réducteur de tension doit être lâchement en place.
4. Insérez un cordon d'alimentation de 30 ampères NON BRANCHÉ, homologué UL, NEMA 10-30 de type SRDT, dans le serre-câble.
5. Fixez le conducteur neutre (fil central) du cordon d'alimentation à la borne centrale ARGENT sur le bornier. Serrez fermement la vis.
6. Fixez les deux conducteurs extérieurs restants du cordon d'alimentation aux bornes extérieures de couleur LAITON sur le bornier. Serrez fermement les deux vis.



AVERTISSEMENT

RISQUE D'ÉLECTROCUTION

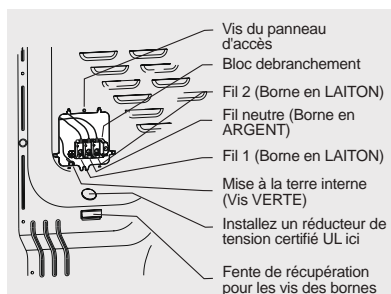
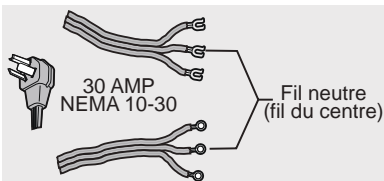
NE PAS plier ni serrer le câblage/conducteur au niveau des connexions.

7. Suivez les directives du fabricant pour fixer fermement le serre-câble et le cordon d'alimentation.
8. Réinstallez le couvercle du bornier.



IMPORTANT

Si vous déplacez la sècheuse d'un système à 4 fils vers un système à 3 fils, déplacez la masse interne de la borne centrale vers la vis VERTE à côté du bornier.

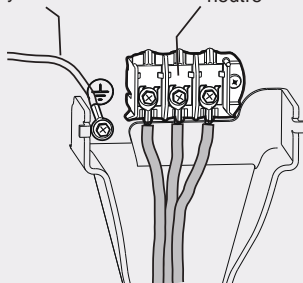


REMARQUE

Si une vis de borne tombe pendant l'installation du cordon, elle peut être récupérée dans la fente de récupération de vis de borne sous le panneau d'accès.

N'ENLEVEZ PAS la mise à la terre interne dans un système à trois fils!

Borne neutre



Branchement électrique (hors Canada) – Cordon à 4 fils



Prise à 4 fils
(NEMA type 14-30R)



AVERTISSEMENT

RISQUE D'ÉLECTROCUTION

Le fait de ne pas débrancher la source d'alimentation avant l'entretien pourrait entraîner des blessures corporelles, voire la mort.



AVERTISSEMENT

DANGER ÉLECTRIQUE

Étiquetez tous les fils avant de débrancher lors de l'entretien des commandes. Les erreurs de câblage peuvent causer un fonctionnement inapproprié et dangereux. Vérifiez le bon fonctionnement après l'entretien.

1. Coupez l'alimentation électrique à la prise.
2. Retirez la vis fixant le couvercle d'accès du bornier dans le coin inférieur à l'arrière de la sècheuse.
3. Installez un réducteur de tension homologué UL conformément aux instructions du fabricant du cordon d'alimentation/réducteur de tension dans le trou d'entrée du cordon d'alimentation sous le panneau d'accès.
4. Insérez un cordon d'alimentation de 30 ampères NON BRANCHÉ, homologué UL, NEMA 14-30 de type DRT ou SRDT, dans le serre-câble.
5. Débranchez le fil de mise à la terre du faisceau interne (BLANC) de la sècheuse de la vis de mise à la terre (VERTE) à côté du bornier.
6. Fixez le fil de mise à la terre (VERT) du cordon d'alimentation vers l'armoire à l'aide de la vis de mise à la terre (VERTE). Serrez fermement la vis.
7. Déplacez le fil de mise à la terre du faisceau interne de la sècheuse (BLANC) vers le bornier et fixez-le avec le conducteur neutre (BLANC) du cordon d'alimentation sur la borne centrale ARGENT sur le bornier. Serrez fermement la vis.
8. Fixez les conducteurs ROUGE et NOIR du cordon d'alimentation aux bornes extérieures de couleur LAITON sur le bornier. Serrez fermement les deux vis.

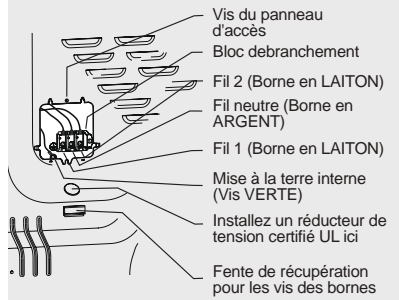
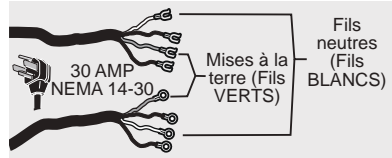


AVERTISSEMENT

RISQUE D'ÉLECTROCUTION

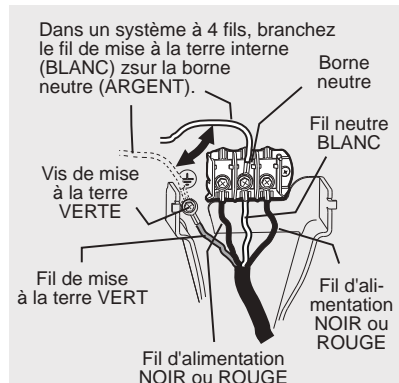
NE PAS plier ni sertir le câblage/conducteur au niveau des connexions.

9. Suivez les directives du fabricant pour fixer fermement le serre-câble et le cordon d'alimentation.
10. Réinstallez le couvercle du bornier.



REMARQUE

Si une vis de borne tombe pendant l'installation du cordon, elle peut être récupérée dans la fente de récupération de vis de borne sous le panneau d'accès.



70 INSTALLATION

Raccordement du gaz

IMPORTANT

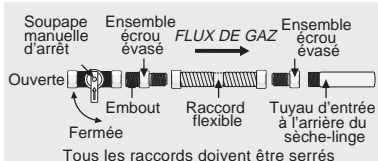
Cette sècheuse à gaz vient de l'usine avec des composants de brûleur à gaz naturel installés. **NE PAS** faire fonctionner cette sècheuse à gaz en utilisant du GPL (propane liquide) à moins que le kit de conversion au GPL n'ait été correctement installé par un personnel d'entretien qualifié. Une mauvaise installation de gaz ou l'installation d'un kit de conversion LP pourrait entraîner des blessures ou même la mort.

1. Retirez le capuchon d'expédition du tuyau de gaz à l'arrière de la sècheuse.

AVERTISSEMENT

NE PAS raccorder la sècheuse à l'alimentation GPL sans convertir la soupape de gaz. Une trousse de conversion GPL NP PCK4200 (non inclus) **doit être installée par un technicien gazier qualifié.**

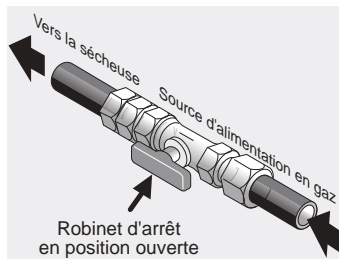
2. Raccordez un tuyau semi-rigide ou homologué de 1/2 po (1,27 cm) de diamètre intérieur de la conduite d'alimentation en gaz vers le tuyau de 3/8 po (0,96 cm) situé à l'arrière de la sècheuse. Utilisez un réducteur de 1/2 po à 3/8 po (1,27 cm à 0,96 cm) pour le branchement. Appliquez un enduit d'étanchéité pour filets approuvé qui résiste à l'action corrosive des gaz liquéfiés sur tous les raccords de tuyaux.



3. Ouvrez la soupape d'arrêt de la conduite d'alimentation en gaz pour permettre au gaz de circuler dans le tuyau. Attendez quelques minutes pour que le gaz se déplace dans la conduite de gaz.

IMPORTANT

La conduite d'alimentation doit être équipée d'une soupape d'arrêt manuelle approuvée. Cette soupape doit être située dans la même pièce que la sècheuse et doit se trouver à un endroit qui facilite l'ouverture et la fermeture. **NE PAS** bloquer l'accès à la soupape d'arrêt de gaz.



4. Vérifiez la présence de fuites du système de gaz à l'aide d'un manomètre. Si aucun manomètre n'est disponible, testez tous les raccords en brossant avec une solution d'eau savonneuse.

AVERTISSEMENT

RISQUE D'EXPLOSION
NE JAMAIS tester les fuites de gaz avec une flamme nue.

IMPORTANT

L'installation à l'arrivée du gaz doit être conforme aux codes et ordonnances locaux et à la dernière édition du National Fuel Gas Code ANSI Z223.1/NFPA 54, ou au Canada, au CSA B149.1.

Raccordement de l'eau (modèles à vapeur seulement)

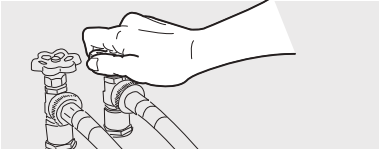
AVERTISSEMENT

Inspectez régulièrement tous les tuyaux d'arrivée d'eau pour détecter les fuites, l'usure, les coupures, la corrosion et les gonflements. Remplacez tous les tuyaux si vous constatez l'un des signes ci-dessus. Tous les tuyaux doivent être remplacés tous les cinq ans afin de réduire le risque de défaillance des tuyaux.

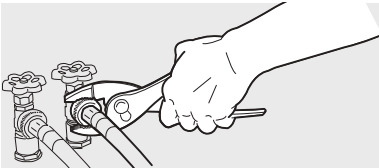
Exigences en matière d'alimentation en eau

Le robinet d'eau froide DOIT être installé à moins de 42 po (107 cm) de l'entrée d'eau de votre sècheuse. Le robinet DOIT être de 3/4 po (1,9 cm) avec filetage pour le raccordement du tuyau de lavage. La pression d'eau DOIT se situer entre 20 et 120 psi. Votre service public de l'eau peut vous indiquer la pression de l'eau.

1. Coupez l'alimentation en eau FROIDE de la laveuse.



2. Retirez le tuyau d'entrée d'eau FROIDE de l'alimentation en eau FROIDE et inspectez la rondelle en caoutchouc. Remplacez la rondelle si elle est déchirée ou usée.



Les rondelles en caoutchouc doivent être présentes et en bon état (aucun dommage).

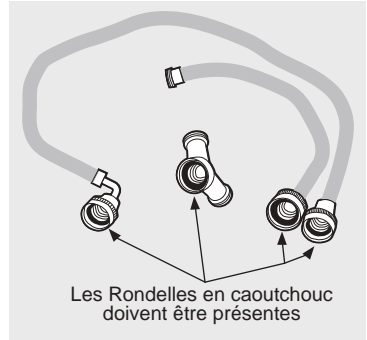
Tuyau d'arrivée d'eau à la laveuse



3. Ouvrez l'alimentation en eau FROIDE et faites couler l'eau pour éliminer tout contaminant dans la conduite.



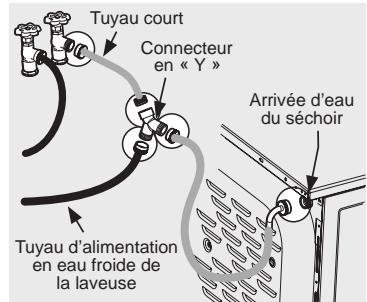
4. Inspectez les raccords de tuyau pour s'assurer que les rondelles en caoutchouc sont bien placées. Utilisez les tuyaux de la TROUSSE DE TUYAU D'ASSEMBLAGE numéro 5304495002 (non inclus).



5. Si votre installation offre suffisamment d'espace pour que l'alimentation en eau FROIDE accepte directement le raccord en « Y », vissez le raccord en « Y » sur l'alimentation en eau FROIDE et serrez-le à la main, puis serrez-le de nouveau de 2/3 de tour avec des pinces.

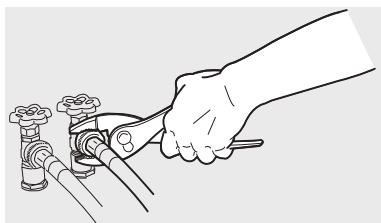
REMARQUE

Si vous avez réussi à installer le raccord en « Y » directement sur l'alimentation en eau FROIDE, veuillez passer à l'étape 8.

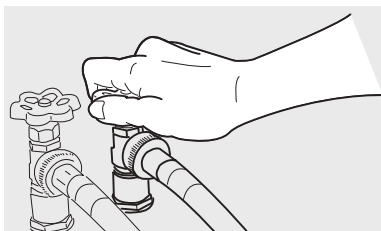


72 INSTALLATION

6. S'il n'y a pas de place pour installer le connecteur en « Y » directement, vissez le tuyau de rallonge court sur l'alimentation en eau FROIDE et serrez-le à la main; puis serrez-le de nouveau de 2/3 de tour avec des pinces.

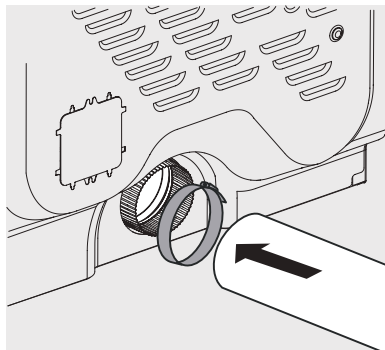


7. Vissez le connecteur en « Y » sur le tuyau de rallonge court et serrez-le à la main, puis serrez-le de nouveau de 2/3 de tour avec des pinces.
8. Raccordez le tuyau d'entrée d'eau FROIDE de la laveuse au connecteur en « Y » et serrez-le à la main, puis serrez-le de nouveau de 2/3 de tour avec des pinces.
9. Raccordez l'extrémité droite du tuyau long de la trousse à l'autre sortie du connecteur en « Y » et serrez-le à la main. Raccordez le raccord à 90° du tuyau à l'entrée d'eau en laiton à l'arrière de la sècheuse et serrez-le à la main. Serrez chaque raccord du tuyau d'entrée de la sècheuse de 2/3 de tour avec des pinces.
10. Ouvrez l'eau et vérifiez l'absence de fuite à chaque raccordement.

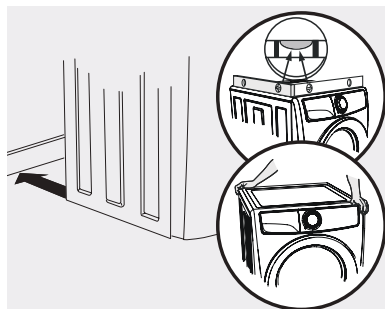


Finalisation de l'installation

1. Raccordez le conduit d'évacuation au système d'évacuation extérieur. L'utilisation d'une bride de serrage de 102 mm (4 po) (article A) est recommandée pour raccorder la sècheuse au système de ventilation. Utilisez du ruban métallique pour sceller tous les autres joints.



2. Utilisez un niveau de menuisier pour mettre votre sècheuse à niveau de l'avant vers l'arrière et d'un côté à l'autre.
3. Utilisez une pince réglable pour ajuster les pieds de nivellement de manière à ce que la sècheuse soit à niveau à l'avant comme à l'arrière et des deux côtés, et que tous les coins soient stables.



- Appuyez sur les coins et les côtés les uns après les autres pour détecter le moindre mouvement. Réglez le(s) pied(s) concerné(s) de manière à ce que les QUATRE pieds de la sècheuse reposent solidement sur le sol. Gardez les pieds de nivellement le plus bas possible de manière à obtenir les meilleures performances de la sècheuse.



IMPORTANT

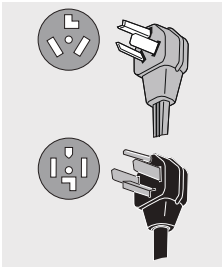
Assurez-vous que l'alimentation est coupée au niveau du disjoncteur/de la boîte à fusibles avant de brancher le cordon d'alimentation dans une prise.

- Branchez le cordon d'alimentation dans une prise avec mise à la terre.



AVERTISSEMENT

Une mise à la terre inadéquate de la sècheuse peut causer des blessures graves ou la mort. En cas de doute sur la bonne mise à la terre de l'appareil, consultez un électricien agréé.



AVERTISSEMENT

Ne pas entreposer de matériaux combustibles, d'essence et d'autres vapeurs et liquides inflammables près de cette sècheuse.

- Mettez le disjoncteur/la boîte à fusibles sous tension.
- Consultez le Manuel d'utilisation et d'entretien fourni avec la sècheuse. Il contient des renseignements précieux et utiles qui vous feront économiser du temps et de l'argent.
- Si vous avez des questions au cours de la mise en service initiale, veuillez consulter la « Liste de vérification pour éviter les appels de service » dans votre Manuel d'utilisation et d'entretien avant d'appeler le service après-vente.
- Placez ces instructions près de la sècheuse pour référence ultérieure.



REMARQUE

Un schéma de câblage et une fiche technique se trouvent sous le panneau supérieur de la sècheuse.



MISE EN GARDE

Lorsque vous jetez ou rangez votre vieille sècheuse, retirez la porte.

Changer le sens de la porte

REMARQUE

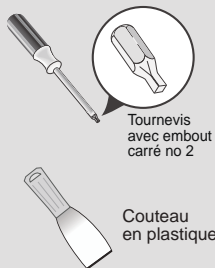
La porte est réversible sur tous les modèles de sècheuses.

IMPORTANT

AVANT D'INVERSER LA PORTE DE VOTRE SÈCHEUSE :

1. Assurez-vous de disposer d'une surface suffisante pour permettre l'ouverture de la porte avant d'inverser celle-ci.
2. Rassemblez vos outils, y compris un tournevis avec un embout carré n° 2 et un couteau en plastique (ou un petit outil-levier plat qui n'abîmera pas la peinture).
3. Assurez-vous que la sècheuse est débranchée de la source d'alimentation!

Outils nécessaires pour l'inversion :



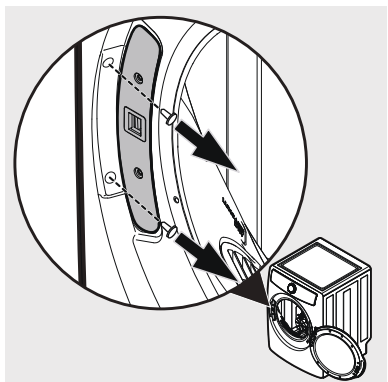
AVERTISSEMENT

RISQUE D'ÉLECTROCUTION

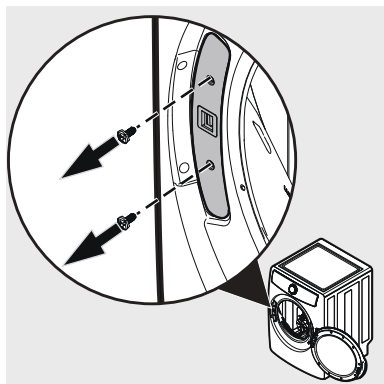
Le fait de ne pas débrancher la source d'alimentation avant l'entretien pourrait entraîner des blessures corporelles, voire la mort.

Retrait du loquet et des bouchons de trous

1. Ouvrez la porte.
2. Retirez les bouchons en plastique et conservez-les pour les réinstaller plus tard. Vous devrez peut-être utiliser un couteau en plastique anti-rayures si vous ne pouvez pas déloger les bouchons manuellement.

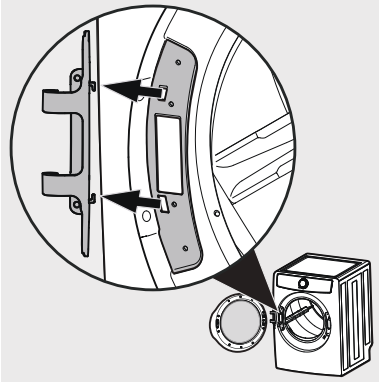


3. Retirez les deux vis du loquet de la porte. Conservez le loquet et les vis pour les réinstaller plus tard.



Enlèvement de l'ensemble de porte

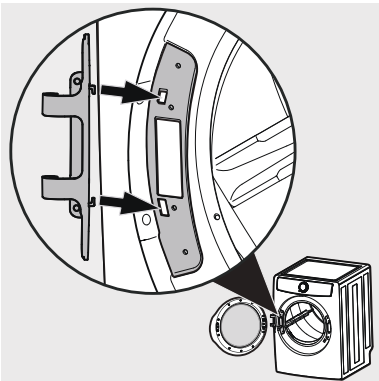
1. Ouvrez complètement la porte pour exposer les quatre vis de charnière.
2. Retirez les quatre vis de charnière à l'aide du tournevis à embout carré n° 2. Conservez-les pour les réinstaller plus tard.



3. Saisissez la porte avec les deux mains et soulevez-la légèrement en tirant la porte et la charnière pour la dégager du panneau avant.

Réinstallation de l'ensemble de porte

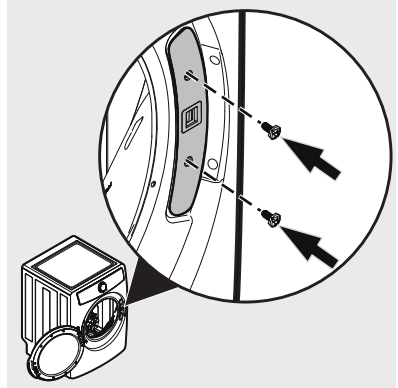
1. Faites pivoter la porte et accrochez le crochet supérieur à l'arrière de la charnière dans le trou supérieur du panneau avant.



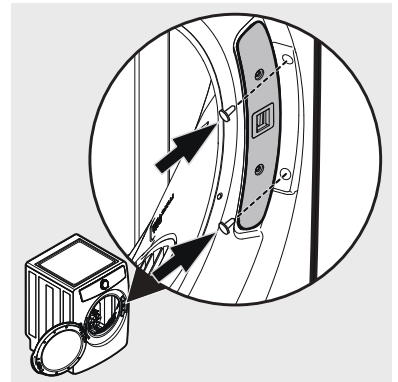
2. Réinstallez les quatre vis retirées précédemment et serrez-les : d'abord les deux vis avant, puis les deux vis latérales.

Réinstallation du loquet et des bouchons de trous

1. Installez le loquet de porte avec les vis retirées plus tôt.



2. Insérez les bouchons en plastique retirés plus tôt.



Vérifiez que la porte s'ouvre bien dans le sens inverse.

1. Vérifiez que la porte s'ouvre librement sans blocage, et qu'elle se verrouille correctement lorsqu'elle est fermée.
2. Branchez la sécheuse et fermez la porte. Démarrez un cycle d'essai : le tambour doit culbuter jusqu'à ce que la porte soit tirée pour l'ouvrir ou que le cycle soit interrompu ou annulé.

76 ACCESSOIRES ET PIÈCES DE RECHANGE

Accessoires

CAISSON DE RANGEMENT ASSORTI*
caisson blanc - réf. EPWD257UIW
caisson titane - réf. EPWD257UTT
Un caisson de rangement en accessoire spécialement conçu pour cette sècheuse; il peut être utilisé pour élever la sècheuse et en faciliter l'utilisation. Ce caisson ajoute environ 38 cm (15 po) à la hauteur de votre électroménager.

*D'autres couleurs sont disponibles.
Contactez le détaillant où vous avez acheté votre sècheuse.

MONTAGE INTERCALAIRE POUR SÈCHEUSE PIÈCE : STACKIT7X
Selon le modèle que vous avez acheté, un nécessaire de montage intercalaire pour une sècheuse assortie à votre laveuse peut avoir été inclus lors de l'achat initial de votre sècheuse. Si votre modèle n'inclut pas de nécessaire de montage intercalaire ou si vous en désirez un autre, vous pouvez le commander.

NÉCESSAIRE DE CONVERSION AU GPL
PIÈCE : PCK4200
Les sècheuses à gaz fabriquées pour être utilisées dans un endroit desservi en LP doivent être munies d'un nécessaire de conversion avant l'installation.

NÉCESSAIRE D'INSTALLATION POUR MAISON MOBILE PIÈCE : 137067200
Les installations dans les maisons mobiles doivent être munies d'un NÉCESSAIRE D'INSTALLATION POUR MAISON MOBILE.

CLÉ UNIVERSELLE POUR ÉLECTROMÉNAGERS
PIÈCE : 137019200
UNE CLÉ UNIVERSELLE POUR ÉLECTROMÉNAGERS est disponible pour faciliter le réglage des pattes de sècheuse, de laveuse et du caisson.

CRAYONS À PEINTURE DE RETOUCHE
Blanc : 5304468812
Titane : 5304475700

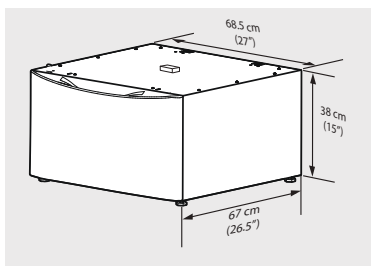
*D'autres couleurs sont disponibles. Contactez le détaillant où vous avez acheté votre sècheuse.

KIT DE TUYAUX ASSEMBLY
PIÈCE : 5304495002

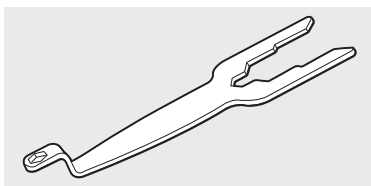


WARNING

NE PAS utiliser les accessoires fabriqués par (ou approuvés par) le fabricant peut occasionner des dommages matériels, des dommages à la sècheuse ou provoquer des lésions corporelles.



Caisson de rangement



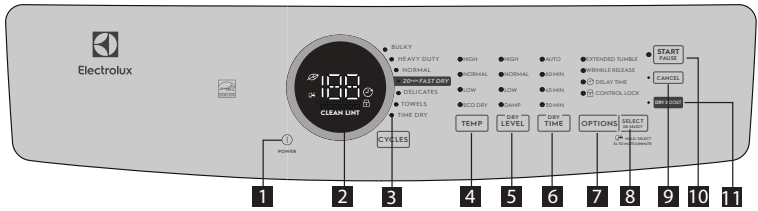
Clé universelle pour électroménagers

Pièces de rechange aux États-Unis et au Canada

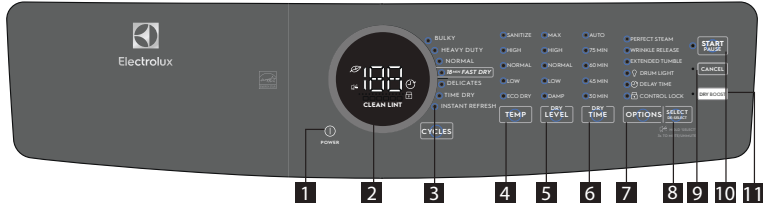
Si vous avez besoin de pièces de rechange pour votre sècheuse, contactez le détaillant où vous avez acheté votre sècheuse, faites le 1 877 4ELECTROLUX (1 877 435-3287) aux États-Unis ou le 1 800 265-8352 au Canada, ou visitez notre site Internet <http://www.electrolux.ca/fr-CA> pour trouver le distributeur de pièces agréé Electrolux le plus près de chez vous.

Séries de modèles

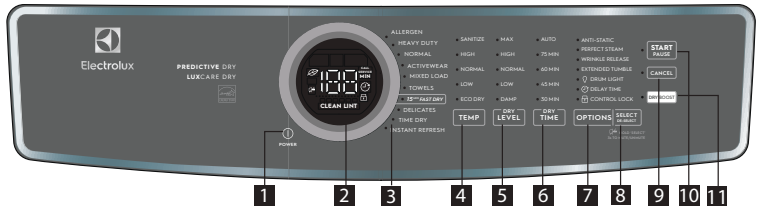
SÉRIE 300



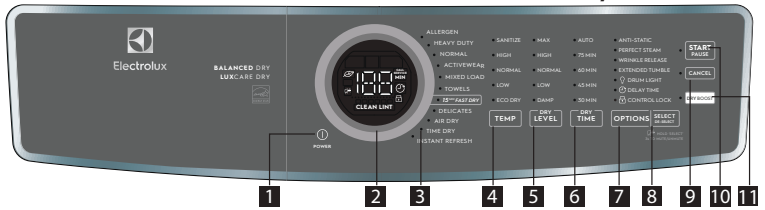
SÉRIE 400



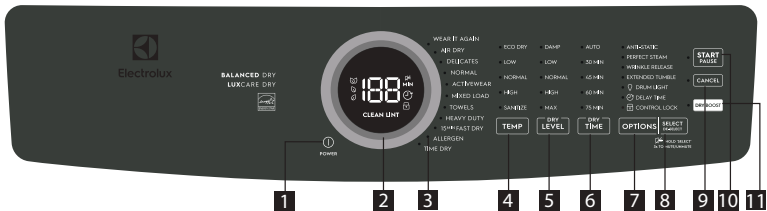
SÉRIE 500



SÉRIE 600 GAZ/ÉLECTRIQUE



SÉRIE 700



- | | | |
|---|---|--------------------------------------|
| 1 POWER (Alimentation) | 2 Sélecteur de cycle | 3 Affichage à DEL du cycle |
| 4 Sélecteur de température | 5 DRY LEVEL (Niveau de séchage) | 6 DRY TIME (Durée de séchage) |
| 7 Options | 8 SELECT/DE-SELECT (Sélectionner/Désélectionner) | 9 CANCEL (Annuler) |
| 10 START/PAUSE (Démarrage/Pause) | 11 DRY BOOST (Séchage plus) | |

Ce manuel répertorie de nombreux modèles, et tous les cycles, toutes les options ou toutes les fonctionnalités énumérés ne sont pas disponibles sur l'ensemble des modèles. Consoles illustrées ci-dessus à titre de référence uniquement. Votre modèle peut être différent.

78 COMMANDES ET RÉGLAGES

Tableau de réglage – Sécheuse série 300



Ces températures, niveaux de séchage et options sont disponibles avec les cycles suivants :

SÉLECTION DU CYCLE

BULKY (Articles volumineux)	HEAVY DUTY (Intensif)	NORMAL	20 MIN FAST DRY (Séchage rapide 20 min)	DELICATES (Tissus délicats)	TOWELS (Serviettes)	TIME DRY (Temps de séchage)
<input type="checkbox"/>	<input type="checkbox"/>	<input type="checkbox"/>	<input type="checkbox"/>	<input type="checkbox"/>	<input type="checkbox"/>	<input type="checkbox"/>

TEMPÉRATURE (Temp)

Élevée	<input checked="" type="checkbox"/>	<input checked="" type="checkbox"/>	<input checked="" type="checkbox"/>	<input type="checkbox"/>	<input checked="" type="checkbox"/>	<input checked="" type="checkbox"/>
Normale	<input type="checkbox"/>	<input checked="" type="checkbox"/>	<input checked="" type="checkbox"/>	<input type="checkbox"/>	<input checked="" type="checkbox"/>	<input checked="" type="checkbox"/>
Basse	<input type="checkbox"/>	<input type="checkbox"/>	<input checked="" type="checkbox"/>	<input checked="" type="checkbox"/>	<input checked="" type="checkbox"/>	<input checked="" type="checkbox"/>
Eco Dry (Éco Séchage)	<input type="checkbox"/>	<input type="checkbox"/>	<input type="checkbox"/>	<input type="checkbox"/>	<input type="checkbox"/>	<input checked="" type="checkbox"/>

NIVEAU DE SÉCHAGE

Élevé	<input checked="" type="checkbox"/>	<input checked="" type="checkbox"/>	<input checked="" type="checkbox"/>	<input type="checkbox"/>	<input checked="" type="checkbox"/>	<input type="checkbox"/>
Normal	<input type="checkbox"/>	<input checked="" type="checkbox"/>	<input checked="" type="checkbox"/>	<input checked="" type="checkbox"/>	<input checked="" type="checkbox"/>	<input type="checkbox"/>
Bas	<input type="checkbox"/>	<input type="checkbox"/>	<input checked="" type="checkbox"/>	<input checked="" type="checkbox"/>	<input type="checkbox"/>	<input type="checkbox"/>
Humide	<input type="checkbox"/>	<input type="checkbox"/>	<input checked="" type="checkbox"/>	<input checked="" type="checkbox"/>	<input type="checkbox"/>	<input type="checkbox"/>

Durée de séchage

Séchage Automatique	<input checked="" type="checkbox"/>	<input checked="" type="checkbox"/>	<input checked="" type="checkbox"/>	<input checked="" type="checkbox"/>	<input checked="" type="checkbox"/>	<input type="checkbox"/>
60 Min	<input type="checkbox"/>	<input type="checkbox"/>	<input type="checkbox"/>	<input type="checkbox"/>	<input type="checkbox"/>	<input checked="" type="checkbox"/>
45 Min	<input type="checkbox"/>	<input type="checkbox"/>	<input type="checkbox"/>	<input type="checkbox"/>	<input type="checkbox"/>	<input checked="" type="checkbox"/>
30 Min	<input type="checkbox"/>	<input type="checkbox"/>	<input type="checkbox"/>	<input type="checkbox"/>	<input type="checkbox"/>	<input checked="" type="checkbox"/>

OPTIONS

Culbutage Prolongé	<input checked="" type="checkbox"/>	<input checked="" type="checkbox"/>	<input checked="" type="checkbox"/>	<input type="checkbox"/>	<input checked="" type="checkbox"/>	<input checked="" type="checkbox"/>	<input checked="" type="checkbox"/>
Défroissage	<input checked="" type="checkbox"/>	<input checked="" type="checkbox"/>	<input checked="" type="checkbox"/>	<input type="checkbox"/>	<input checked="" type="checkbox"/>	<input checked="" type="checkbox"/>	<input checked="" type="checkbox"/>
Départ Différé	<input checked="" type="checkbox"/>	<input checked="" type="checkbox"/>	<input checked="" type="checkbox"/>	<input checked="" type="checkbox"/>	<input checked="" type="checkbox"/>	<input checked="" type="checkbox"/>	<input checked="" type="checkbox"/>
Verrouillage Des Commandes	<input checked="" type="checkbox"/>	<input checked="" type="checkbox"/>	<input checked="" type="checkbox"/>	<input checked="" type="checkbox"/>	<input checked="" type="checkbox"/>	<input checked="" type="checkbox"/>	<input checked="" type="checkbox"/>
Dry Boost	<input checked="" type="checkbox"/>	<input checked="" type="checkbox"/>	<input checked="" type="checkbox"/>	<input checked="" type="checkbox"/>	<input checked="" type="checkbox"/>	<input checked="" type="checkbox"/>	<input checked="" type="checkbox"/>

✓ = Sélections disponibles, ◻ = Préréglages en usine, ◼ = Préréglages non modifiables.

Tableau de réglage – Sécheuse série 400



Ces températures, niveaux de séchage et options sont disponibles avec les cycles suivants :

SÉLECTION DU CYCLE

BULKY (Articles volumineux)	HEAVY DUTY (Intensif)	NORMAL	18 MIN FAST DRY (séchage rapide 18 min)	DELICATES (Tissus délicats)	TIME DRY (Temps de séchage)	INSTANT REFRESH (Rafraîchissement instantané)
--------------------------------	--------------------------	--------	---	--------------------------------	--------------------------------	--

TEMPÉRATURE (Temp)

Sanitize (Désinfecter)	✓	✓			✓	
Élevé	✓	✓	✓		✓	✓
Normal		✓	✓		✓	
Bas			✓	✓	✓	
Eco Dry (Éco séchage)					✓	

NIVEAU DE SÉCHAGE

Maximal	✓	✓	✓			
Élevé		✓	✓			
Normal		✓	✓	✓		
Bas			✓	✓		
Humide			✓	✓		

Durée de séchage

Séchage automatique	✓	✓	✓		✓	
75 min					✓	
60 min					✓	
45 min					✓	
30 min					✓	

OPTIONS

Perfect Steam (Vapeur parfaite)			✓		✓	✓
Défroissage	✓	✓	✓		✓	✓
Culbutage prolongé	✓	✓	✓		✓	✓
Éclairage du tambour	✓	✓	✓	✓	✓	✓
Départ différé	✓	✓	✓	✓	✓	✓
Verrouillage des commandes	✓	✓	✓	✓	✓	✓
Dry Boost	✓	✓	✓	✓	✓	

✓ = Sélections disponibles. ◻ = Préréglages en usine. ◼ = Préréglages non modifiables.

RÉGLAGES DE CYCLE

OPTIONS DE CYCLE

80 COMMANDES ET RÉGLAGES

Tableau de réglage – Sécheuse série 500



Ces températures, niveaux de séchage et options sont disponibles avec les cycles suivants :

SÉLECTION DU CYCLE

ALLERGEN (Allergènes)	HEAVY DUTY (Intensif)	NORMAL	ACTIVE WEAR (Vêtements de sport)	MIXED LOADS - COLORS (Charge mixte - couleurs)	TOWELS (Serviettes)	15 MIN FAST DRY (séchage rapide 15 min)	DELICATES (Tissus délicats)	TIME DRY (Temps de séchage)	INSTANT REFRESH (Rafraîchissement instantané)
-----------------------	-----------------------	--------	----------------------------------	--	---------------------	---	-----------------------------	-----------------------------	---

TEMPÉRATURE (Temp)

Sanitize (Désinfecter)	✓	✓				✓			✓
Élevé	✓	✓		✓	✓	✓		✓	✓
Normal		✓	✓	✓	✓			✓	
Bas			✓	✓	✓		✓	✓	
Eco Dry (Éco séchage, sans chaleur/air)								✓	

NIVEAU DE SÉCHAGE

Maximal	✓	✓	✓			✓			
Élevé		✓	✓	✓	✓	✓			
Normal		✓	✓	✓	✓	✓	✓		
Bas			✓	✓	✓		✓		
Humide			✓		✓		✓		

Durée de séchage

Séchage automatique	✓	✓	✓	✓	✓	✓	✓		
75 min								✓	
60 min								✓	
45 min								✓	
30 min								✓	

OPTIONS

Antistatique		✓	✓	✓	✓	✓	✓		
Perfect Steam (Vapeur parfaite)			✓	✓	✓	✓	✓		✓
Défroissage	✓	✓	✓	✓	✓	✓	✓	✓	
Culbutage prolongé	✓	✓	✓	✓	✓	✓	✓	✓	
Éclairage du tambour	✓	✓	✓	✓	✓	✓	✓	✓	✓
Départ différé	✓	✓	✓	✓	✓	✓	✓	✓	✓
Verrouillage des commandes	✓	✓	✓	✓	✓	✓	✓	✓	✓
Dry Boost	✓	✓	✓	✓	✓	✓	✓	✓	✓

✓ = Sélections disponibles. □ = Préréglages en usine. ■ = Préréglages non modifiables.

Tableau de réglage – Sécheuse série 600



Ces températures, niveaux de séchage et options sont disponibles avec les cycles suivants :

SÉLECTION DU CYCLE

ALLERGEN (Allergènes)	HEAVY DUTY (Intensif)	NORMAL	ACTIVE WEAR (Vêtements de sport)	MIXED LOADS - COLORS (Charge mixte - couleurs)	TOWELS (Serviettes)	15 MIN FAST DRY (séchage rapide 15 min)	DELICATES (Tissus délicats)	AIR DRY (Séchage à l'air)	TIME DRY (Temps de séchage)	INSTANT REFRESH (Rafraîchissement instantané)
-----------------------	-----------------------	--------	----------------------------------	--	---------------------	---	-----------------------------	---------------------------	-----------------------------	---

TEMPÉRATURE (Temp)

Sanitize (Désinfecter)	✓	✓			✓				✓	
Élevé	✓	✓		✓	✓	✓			✓	✓
Normal		✓	✓	✓	✓				✓	
Bas			✓	✓	✓		✓		✓	
Eco Dry (Éco séchage, sans chaleur/air)								✓	✓	

NIVEAU DE SÉCHAGE

Maximal	✓	✓	✓			✓				
Élevé		✓	✓	✓	✓	✓				
Normal		✓	✓	✓	✓	✓	✓			
Bas			✓	✓	✓		✓			
Humide			✓		✓		✓	✓		

Durée de séchage

Séchage automatique	✓	✓	✓	✓	✓	✓	✓	✓		
75 min									✓	
60 min									✓	
45 min									✓	
30 min									✓	

OPTIONS

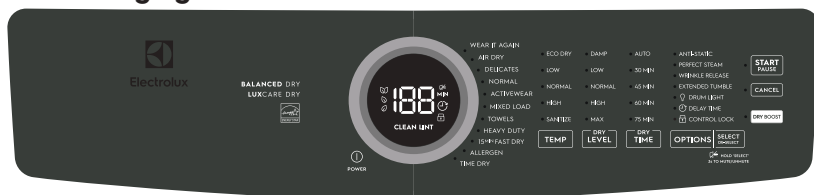
Antistatique		✓	✓	✓	✓	✓	✓			
Perfect Steam (Vapeur parfaite)			✓	✓	✓	✓	✓			✓
Défroissage	✓	✓	✓	✓	✓	✓	✓	✓	✓	
Culbutage prolongé	✓	✓	✓	✓	✓	✓	✓	✓	✓	
Éclairage du tambour	✓	✓	✓	✓	✓	✓	✓	✓	✓	✓
Départ différé	✓	✓	✓	✓	✓	✓	✓	✓	✓	✓
Verrouillage des commandes	✓	✓	✓	✓	✓	✓	✓	✓	✓	✓
Dry Boost	✓	✓	✓	✓	✓	✓	✓		✓	

✓ = Sélections disponibles. ◻ = Préréglages en usage. ◼ = Préréglages non modifiables.

RÉGLAGES DE CYCLE

OPTIONS DE CYCLE

Tableau de réglage – Sécheuse série 700



Ces températures, niveaux de séchage et options sont disponibles avec les cycles suivants :

SÉLECTION DU CYCLE

ALLERGEN (Allergènes)	HEAVY DUTY (Intensif)	NORMAL	ACTIVE WEAR (Vêtements de sport)	MIXED LOADS - COLORS (Charge mixte - couleurs)	TOWELS (Serviettes)	15 MIN FAST DRY (séchage rapide 15 min)	DELICATES (Tissus délicats)	AIR DRY (Séchage à l'air)	TIME DRY (Temps de séchage)	Wear it Again (Portez-le à nouveau)

TEMPÉRATURE (Temp)

Sanitize (Désinfecter)	✓	✓			✓				✓	
Élevé	✓	✓			✓	✓			✓	✓
Normal		✓	✓	✓	✓	✓			✓	
Bas			✓	✓	✓		✓		✓	
Pas de chaleur/air froid								✓	✓	

NIVEAU DE SÉCHAGE

Maximal	✓	✓	✓			✓				
Élevé		✓	✓	✓	✓	✓				
Normal		✓	✓	✓	✓	✓	✓			
Bas			✓	✓	✓		✓			
Humide			✓		✓		✓	✓		

Durée de séchage

Séchage automatique	✓	✓	✓	✓	✓	✓	✓	✓		
75 min									✓	
60 min									✓	
45 min									✓	
30 min									✓	

OPTIONS

Antistatique		✓	✓	✓	✓	✓		✓		
Perfect Steam (Vapeur parfaite)			✓		✓	✓		✓		✓
Défroissage	✓	✓	✓	✓	✓	✓		✓	✓	✓
Culbutage prolongé	✓	✓	✓	✓	✓	✓		✓	✓	✓
Éclairage du tambour	✓	✓	✓	✓	✓	✓	✓	✓	✓	✓
Départ différé	✓	✓	✓	✓	✓	✓	✓	✓	✓	✓
Verrouillage des commandes	✓	✓	✓	✓	✓	✓	✓	✓	✓	✓
Dry Boost	✓	✓	✓	✓	✓	✓	✓		✓	

✓ = Sélections disponibles. □ = Préréglages en usine. ■ = Préréglages non modifiables.


Sélection du cycle



Sélection du cycle adéquat pour économiser de l'énergie

Cette sècheuse a été spécialement conçue avec des options pour vous aider à économiser de l'énergie et à utiliser en même temps le réglage de séchage optimal pour vos vêtements.

Le taux d'efficacité énergétique est basé sur le cycle normal, avec le réglage de température normal et le niveau de séchage normal.

Certains cycles permettent d'économiser plus d'énergie que d'autres. Les cycles qui utilisent le moins de chaleur économisent le plus d'énergie et affichent l'icône de feuille  sur la console. Utilisez le réglage de chaleur le plus bas (cycles de séchage automatique et minuté) et le réglage moins sec (cycles de séchage automatique) pour économiser de l'énergie et éviter de trop sécher vos vêtements.

Appuyez sur le bouton **power** (alimentation) pour allumer l'appareil. Tournez le sélecteur de cycle dans une direction ou appuyez plusieurs fois sur le bouton des cycles (selon votre modèle) pour faire défiler jusqu'au cycle souhaité. Le voyant lumineux du cycle sélectionné s'allumera et le temps de séchage estimé pour les cycles Auto Dry (séchage automatique) ou le temps de séchage réel pour les cycles Time Dry (séchage minuté) s'affichera sur l'écran d'affichage à DEL.

Les paramètres et options par défaut seront automatiquement indiqués pour le cycle sélectionné. Dans la plupart des cas, les paramètres et les options du cycle peuvent être modifiés. Consultez *Paramètres du cycle*, *Options de cycle* et *Réglage des graphiques* pour obtenir plus de détails.

Pour changer le cycle une fois qu'il a commencé, appuyez sur le bouton **Cancel** (Annuler) avant de sélectionner un nouveau cycle. **Le fait de tourner l'anneau de sélection de cycle ou d'appuyer sur le bouton des cycles ne CHANGERA PAS le cycle.**

Cycles de séchage automatique

Les cycles de séchage automatique éliminent les approximations de sélection du temps de séchage approprié pour chaque brassée. Les capteurs d'humidité détectent le niveau d'humidité de la charge lorsqu'elle

culbute dans l'air chauffé. Avec les cycles de séchage automatique, la charge sera automatiquement séchée à la température sélectionnée au niveau de séchage désiré.

Les cycles de séchage automatique économisent du temps et de l'énergie et protègent les tissus. Lorsque la charge a atteint le niveau de séchage sélectionné, elle continuera à culbutter, non chauffée, pendant une période de refroidissement. Cela aide à réduire les plis et facilite la manipulation des articles pendant le déchargement.



REMARQUE

Les temps de cycle initiaux pour les cycles de séchage automatique ne sont que des estimations, le temps de séchage réel peut différer légèrement du temps affiché.

Les temps de séchage varient selon la taille et le niveau d'humidité de la charge et du type de tissu. Si la charge est trop petite ou presque sèche, les capteurs d'humidité peuvent ne pas détecter suffisamment d'humidité pour poursuivre le cycle et le cycle peut se terminer après quelques minutes. Si cela se produit, sélectionnez le cycle de **séchage minuté** pour sécher ces charges.

La température ambiante et l'humidité, le type d'installation et la tension électrique ou la pression du gaz peuvent également affecter le temps de séchage.

REMARQUE

Les modèles équipés de la fonction de **Predictive Dry** (séchage prédictif) utilisent les 90 premières secondes des cycles de séchage automatique pour détecter la charge dans la sècheuse. **Au cours de ces 90 secondes, l'affichage à DEL affichera 2 lignes tournantes.** Lorsque la détection est terminée, l'affichage à DEL affichera le temps de cycle restant en minutes et le compte à rebours exact jusqu'à la fin du cycle.

Cycles de séchage minutés

Les cycles de séchage minutés permettent de sélectionner les temps de séchage exacts. Le cycle de **séchage minuté** permet de sélectionner des réglages de temps de séchage allant de **30 à 75 minutes** (selon le modèle). Différents temps de séchage et réglages de température peuvent être sélectionnés lors de l'utilisation de ce cycle.

Les cycles de **séchage rapide** (certains modèles) ont des durées pré-réglées de **15, 18 ou 20 minutes** (selon le modèle) avec une température pré-réglée à **élevée** seulement.

Les niveaux de séchage ne seront pas une option disponible lors de l'utilisation des cycles de séchage minutés.



AVERTISSEMENT

RISQUE D'INCENDIE

Pour éviter tout risque d'incendie, NE PAS utiliser de chaleur pour sécher des articles contenant des plumes ou du duvet, du caoutchouc mousse, des plastiques de texture semblable et des matériaux ressemblant à du caoutchouc. Utiliser le cycle de **séchage minuté** et le réglage Eco Dry (éco séchage, sans chaleur).

Cycles

BRASSÉE	TYPE DE BRASSÉE	PRÉRÉGLAGE DU CYCLE
ALLERGÈNE (certains modèles)	Élimination des allergènes (pas pour les articles sujets aux dommages causés par la chaleur)	<ul style="list-style-type: none"> température élevée* séchage maximal* séchage automatique*
ARTICLES VOLUMINEUX (certains modèles)	Grosses brassées et tissus durables (comme des serviettes, des jeans et des salopettes)	<ul style="list-style-type: none"> température élevée séchage maximal séchage automatique*
SERVICE INTENSIF (certains modèles)	Grosses brassées et tissus durables (comme des jeans et des salopettes)	
NORMAL	Brassées de tous les jours (cotons, linges et draps)	<ul style="list-style-type: none"> température normale séchage normal séchage automatique*
VÊTEMENTS DE SPORT (certains modèles)	Vêtements de sport synthétiques légers (tissus athlétiques synthétiques et tissus extensibles)	<ul style="list-style-type: none"> basse température séchage normal séchage automatique*
CHARGE MIXTE (certains modèles)	Brassée de tissus variés	<ul style="list-style-type: none"> température normale séchage normal séchage automatique*
SERVIETTES (certains modèles)	Grosses brassées et tissus durables (comme des serviettes, des jeans et des salopettes)	<ul style="list-style-type: none"> température élevée* séchage maximal* séchage automatique*
SÉCHAGE RAPIDE (varie selon le modèle) 15/18/20 min	Petites brassées de 3 à 5 vêtements	<ul style="list-style-type: none"> température élevée* température pré-réglée* (15, 18 ou 20 minutes)

BRASSÉE	TYPE DE BRASSÉE	PRÉRÉGLAGE DU CYCLE
TISSUS DÉLICATS	Tissus en tricot et tissus délicats	<ul style="list-style-type: none"> • basse température* • séchage normal • séchage automatique*
TEMPS DE SÉCHAGE	Réglage manuel du temps de séchage, de la chaleur et du niveau de séchage pour tout type de brassée	<ul style="list-style-type: none"> • température normale • temps de 30 à 75 minutes
SÉCHAGE À L'AIR	Petites brassées de 3 à 5 vêtements	<ul style="list-style-type: none"> • sans chaleur
RAFRAÎCHISSEMENT INSTANTANÉ (certains modèles)	Rafraîchir les tissus, éliminer les odeurs et réduire l'électricité statique en injectant de la vapeur dans les vêtements	<ul style="list-style-type: none"> • température élevée* • perfect steam^{MC}* (vapeur parfaite)
PORTEZ-LE À NOUVEAU (certains modèles)	Cycle optimisé pour réduire les odeurs, les poils d'animaux et les plis sur les vêtements peu utilisés, afin qu'ils puissent être portés à nouveau avant un cycle de lavage complet	<ul style="list-style-type: none"> • température élevée* • perfect steamTM* (vapeur parfaite) • température pré-réglée*

* Le pré-réglage n'est pas modifiable.



REMARQUE

Il n'est pas recommandé d'utiliser des feuilles assouplissantes avec les cycles de vapeur ou les options de vapeur, car cela pourrait tacher les vêtements.

Réglages de cycle

Pour régler ou modifier la température de séchage, le niveau de séchage ou le temps de séchage, appuyez sur les boutons **Temp** (température), **Dryness** (niveau de séchage), ou **Dry Time** (temps de séchage) pour faire défiler les réglages désirés. Le voyant lumineux de chaque réglage s'allume lorsqu'il est sélectionné.



REMARQUE

Pour modifier un réglage de cycle une fois que le cycle a commencé, appuyez sur le bouton **start/pause** (démarrage/pause), faites la nouvelle sélection et appuyez de nouveau sur **start/pause** (démarrage/pause).

Certaines températures et certains niveaux de séchage ne sont pas disponibles pour chaque cycle afin de protéger vos tissus. Si une température ou un niveau de séchage

n'est pas approprié pour le cycle, il ne peut pas être sélectionné et ne sera pas allumé lorsque vous ferez défiler les réglages.

À l'exception des options **désinfecter** et **perfect steam^{MC}** (vapeur parfaite), les modifications apportées aux réglages et options du cycle seront mémorisées et appelées chaque fois que ce cycle sera sélectionné à l'avenir.



Pour revenir aux paramètres d'usine, maintenez les boutons **options** et **dryness** enfoncés simultanément jusqu'à ce que le signal sonore retentisse.

Température de séchage (temp)

Pour modifier la température, appuyez sur le bouton **Temp** et faites défiler les valeurs jusqu'au réglage souhaité.



Pour un résultat optimal

Suivez les instructions d'entretien figurant sur l'étiquette des tissus à sécher.

désinfecter (sur certains modèles)

Recommandé pour les tissus durables et les serviettes. Utilisez cette sélection pour éliminer les bactéries nocives de vos vêtements ou d'autres articles où une désinfection est souhaitée. Cette option tuera 99,9 % des bactéries en utilisant une température plus élevée requise pour tuer les bactéries. Veuillez vérifier les instructions d'entretien figurant sur les étiquettes des tissus afin d'éviter tout dommage.

élevée

Recommandé pour la plupart des tissus en coton.

normale

Recommandé pour les tissus légers, infroissables, faciles d'entretien et les brassées volumineuses.

basse (sur certains modèles)

Recommandé pour les tissus délicats.

eco dry (éco séchage, sans chaleur)

Ce réglage ne doit être utilisé qu'avec un cycle de séchage minuté pour sécher les articles contenant des plumes, du duvet, du caoutchouc mousse, du plastique ou des matériaux caoutchoutés; pour rafraîchir les vêtements, les animaux en peluche, les oreillers ou les couvertures; et pour épousseter les rideaux.

Niveau de séchage (dryness)

Pour régler ou modifier le niveau de séchage, appuyez sur le bouton **dryness** (niveau de séchage) pour faire défiler jusqu'au réglage désiré.

Les niveaux de séchage incluent **max** (sur certains modèles), **élevé**, **normal**, **bas** (sur certains modèles) et **humide**. La plupart des cycles de séchage automatique sont réglés par défaut au niveau de séchage **normal**.

Une charge peut parfois sembler trop humide ou trop séchée à la fin du cycle. Pour augmenter le temps de séchage pour des charges similaires à l'avenir, sélectionnez **élevé** ou **max** (sur certains modèles). Pour réduire le temps de séchage pour des charges similaires, sélectionnez **moins** (sur certains modèles).

Sélectionnez **damp** (humide) pour les articles que vous souhaitez sécher partiellement avant de les suspendre ou de les repasser.

Temps de séchage (time dry)

Sélectionnez ou modifiez manuellement le temps de séchage pour un cycle de

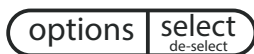
séchage minuté (sur certains modèles)

en appuyant sur le bouton **time dry** (séchage minuté) pour faire défiler les options disponibles. Les options de temps de séchage comprennent **30, 45, 60 et 75** minutes (selon le modèle).

La sélection **Auto** (automatique) est une valeur par défaut pour tous les cycles **auto dry** (séchage automatique) et les cycles **fast dry** (séchage rapide) et ne peut pas être sélectionnée ou modifiée. Tous les temps de séchage réels ou prévus seront comptés à rebours sur l'affichage à DEL.

Options de cycle

Pour sélectionner une option, appuyez sur le bouton **options** et faites défiler les options jusqu'à ce que le voyant lumineux de l'option souhaitée clignote, puis appuyez sur **select (set)** (sélectionner). Le voyant s'allume lorsque l'option a été sélectionnée. Suivez les mêmes étapes pour désélectionner une option. Le voyant s'éteindra lorsque l'option est désélectionnée.

**REMARQUE**

Pour modifier un réglage de cycle une fois que le cycle a commencé, appuyez sur le bouton **start/pause** (démarrage/pause), faites la nouvelle sélection et appuyez de nouveau sur **start/pause** (démarrage/pause).

Certaines options ne sont pas disponibles pour chaque cycle afin de protéger vos tissus. Si une option n'est pas disponible pour un cycle, le voyant ne s'allume pas.

Il arrive parfois que deux options ou réglages du même cycle entrent en conflit, comme l'option **perfect steam** (vapeur parfaite) et la température **désinfecter** (sur certains modèles). Lorsque cela se produit, l'option sélectionnée en premier entraînera l'impossibilité de sélectionner l'option conflictuelle.

**perfect steam^{MC} (sur certains modèles)**

L'option **perfect steamTM** injecte de la vapeur dans les vêtements avant le refroidissement pour réduire les plis, le repassage et l'électricité statique.

**REMARQUE**

Il n'est pas recommandé d'utiliser des feuilles assouplissantes avec les cycles de vapeur ou les options de vapeur, car cela pourrait tacher les vêtements.

antistatique (sur certains modèles)

L'option **antistatique** injecte de la vapeur dans les vêtements juste avant la fin du cycle pour réduire l'électricité statique.

séchage plus

Cette option augmente l'efficacité du séchage pour les tissus plus lourds ou les charges volumineuses en augmentant la température de séchage de moins de 20F (>1°C). (Varie en fonction de la sélection du cycle).

icône de feuille 

Cette icône apparaîtra sur la console lorsque la sècheuse utilise des réglages écoénergétiques. Ces réglages utilisent moins de chaleur et des durées de cycle plus longues pour sécher. La sècheuse utilisera toujours par défaut le cycle normal écoénergétique avec l'icône de feuille affichée. Pour les modèles 700, l'indicateur écologique comporte 3 niveaux : plus le nombre de feuilles est élevé, plus l'appareil est respectueux de l'environnement.

défroissage

L'option **wrinkle release** (défroissage) aide à prévenir les plis et l'emmêlement en culbutant la brassée sèche sans chaleur pendant 5 minutes toutes les 10 minutes. Les périodes d'activation et de désactivation sont répétées pour un total de 45 minutes. Un signal sonore retentira après chaque culbutage pour vous rappeler de retirer la brassée sèche.

**REMARQUE**

Lorsque les options **culbutage prolongé** et **défroissage** sont toutes deux sélectionnées, la durée de culbutage sans chaleur augmentera jusqu'à 75 minutes.

culbutage prolongé (sur certains modèles)

Sélectionnez l'option **extended tumble** (culbutage prolongé) si la brassée sèche peut ne pas être retirée rapidement à la fin du cycle. La brassée sèche culbutera continuellement sans chaleur pendant

30 minutes. Un signal sonore retentit périodiquement pour vous rappeler de retirer la brassée sèche.

départ différé (sur certains modèles) 

Utilisez le **départ différé** pour retarder le démarrage du cycle de séchage à un moment qui convient à votre horaire ou en dehors des heures de pointe. Le démarrage de n'importe quel cycle peut être retardé de 30 minutes à 12 heures. Après la sélection de l'option départ différé, utilisez le bouton cycle (modèles 300/400) ou le sélecteur de cycle (modèles 500/600) pour sélectionner le délai de départ différé souhaité et appuyez sur **start** (démarrer). L'icône **delay time** (départ différé) s'allumera sur l'affichage à DEL pour indiquer que l'option de **delay time** (départ différé) est activée. Le départ différé commencera le compte à rebours sur l'affichage à DEL une fois activé.

**REMARQUE**

Pendant le compte à rebours durant le **delay time** (départ différé), vous remarquerez que votre sècheuse culbute périodiquement pendant quelques minutes sans chaleur pour redistribuer la brassée, maximisant ainsi la fraîcheur des articles.

verrouillage des commandes 

Pour verrouiller les commandes entre les cycles, faites défiler jusqu'à l'option de verrouillage des commandes et appuyez sur **select** (sélectionner). L'icône de verrouillage des commandes apparaîtra sur l'affichage à DEL. Pour déverrouiller les commandes, faites défiler une nouvelle fois jusqu'à l'option de verrouillage des commandes et appuyez sur **select** (sélectionner). Utilisez cette fonction afin de réduire le risque de manipulation accidentelle par des enfants. **Les cycles de la sècheuse ne fonctionneront pas lorsque le verrouillage des commandes est activé.**

signal sonore

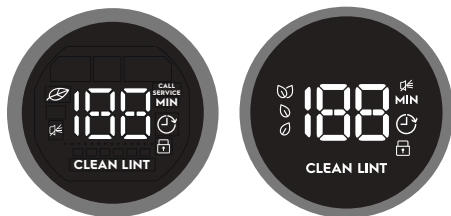
Un signal sonore retentira à la fin du cycle (et périodiquement pendant la phase **culbutage prolongé** ou **défroissage**). Pour activer ou désactiver le signal sonore, appuyez et maintenez enfoncé le bouton **select** (sélectionner) pendant 3 secondes.



hold 'select' 3 s to mute/unmute

Autres fonctions

Affichage à DEL



Les icônes peuvent varier selon le modèle.

Les modèles équipés de la fonction Predictive Dry utilisent les 90 premières secondes des cycles Auto Dry pour détecter la charge dans le sèche-linge. Pendant cette période de 90 secondes, l'écran LED affiche deux lignes circulaires. Lorsque la détection est terminée, l'affichage LED indique la durée restante du cycle en minutes et effectue un compte à rebours précis jusqu'à la fin du cycle.

Au fur et à mesure que la sécheuse progresse dans les phases de cycle, les indicateurs de phase de cycle sous la durée du cycle s'allument.

Les **icônes départ différé, feuille, verrouillage des commandes, muet** (certains modèles) et **NETTOYER LE FILTRE À PELUCHES** apparaîtront également sur cet affichage à DEL.

Éclairage du tambour (sur certains modèles)

L'éclairage du tambour s'allume dès que la porte est ouverte pour éclairer le tambour lorsque du linge est ajouté ou retiré. La lumière s'éteint lorsque la porte est fermée. L'éclairage du tambour s'éteindra automatiquement si la porte est laissée ouverte pendant plus de 3 minutes. Sélectionnez l'option **drum light** (éclairage du tambour) pour activer ou désactiver la lumière du tambour.

Porte réversible

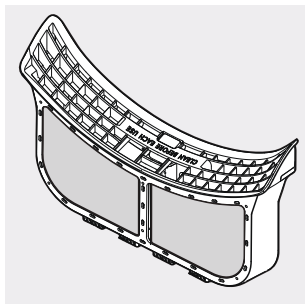
La sécheuse est équipée d'une porte réversible. La porte peut s'articuler sur le côté droit ou gauche.

REMARQUE

Pour des instructions étape par étape sur l'inversion de la porte, consultez les sections *Installations* de ce manuel.

Filtre à peluches LuxCare^{MC}

La sécheuse est équipée d'un filtre à peluches à double coque LuxCare^{MC}.



AVERTISSEMENT

Nettoyez le filtre après chaque brassée. Le message **CLEAN LINT** (Nettoyer le filtre à peluches) apparaîtra sur l'affichage à DEL à la fin du cycle pour vous rappeler de retirer les peluches du filtre.

REMARQUE

Pour obtenir des instructions détaillées sur le nettoyage du filtre à peluches, consultez la rubrique *Nettoyage du filtre* dans la section *Entretien et nettoyage* de ce Manuel d'utilisation et d'entretien.

Utilisation de la sècheuse



AVERTISSEMENT

Pour réduire le risque d'incendie, d'électrocution ou de blessures, lire les Instructions importantes concernant la sécurité dans ce *Manuel d'utilisation et d'entretien* avant d'utiliser votre sècheuse.



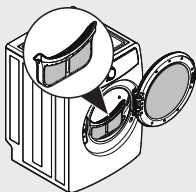
AVERTISSEMENT


NE PAS faire fonctionner la sècheuse sans filtre à peluches en place.



AVERTISSEMENT

Nettoyez le filtre à peluches après chaque brassée.

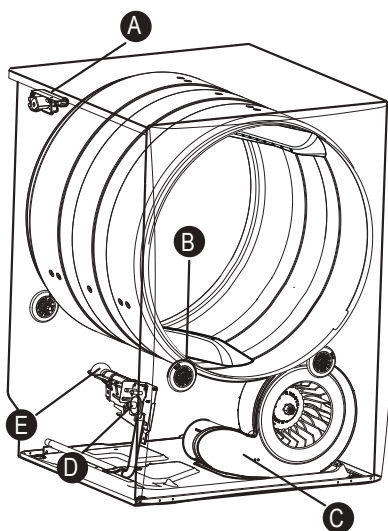
ÉTAPES	CONSEILS	IMPORTANT
1. Préparez la brassée pour le séchage.	<ul style="list-style-type: none"> • Séchez des articles de tissu, de poids et de fabrication similaires dans la même brassée. • Séparez les articles foncés des articles clairs. Séparez les éléments pelucheux de ceux qui attirent ces peluches. • Vérifiez s'il y a des taches qui n'ont peut-être pas été enlevées lors du lavage. Répétez le processus d'élimination des taches et lavez à nouveau avant de sécher. La chaleur de la sècheuse peut sécher certaines taches de façon permanente. • Placez les articles délicats, enduits de caoutchouc ou les petits articles dans un sac en filet (non inclus). • Assurez-vous que les boucles, les boutons et les garnitures sont résistants à la chaleur et n'endommageront pas la finition du tambour. Fermez les fermetures à glissière; attachez les crochets et les attaches. Attachez les cordes et les pinces pour éviter qu'elles ne s'accrochent et ne s'emmêlent. 	<p>NE PAS laver à la machine des éléments contenant de la fibre de verre. Les petites particules de fibre de verre restant dans le tambour peuvent se déposer sur les tissus d'autres brassées et ainsi irriter la peau ou endommager les tissus.</p> <p>NE PAS laver des vêtements ou autres matériaux imperméables et hydrofuges.</p>
2. Vérifiez que le filtre à peluches est propre et en place.		<p>NE PAS faire fonctionner la sècheuse sans filtre à peluches en place.</p>
3. Chargez la sècheuse et fermez la porte.	<ul style="list-style-type: none"> • Chargez les articles sans les serrer. La charge humide moyenne remplira le tambour de 1/3 à 1/2. Les articles ont besoin d'espace pour culbutter librement pour un séchage uniforme et moins de plis. • Si vous le souhaitez, placez une feuille assouplissante sur la brassée au début du cycle. • Lorsque vous séchez de gros articles, séchez seulement deux ou trois articles à la fois. Remplissez la charge avec des articles plus petits. • Pour les brassées délicates ou très petites, ajoutez deux ou trois articles similaires pour améliorer l'action de culbutage. 	<p>NE PAS surcharger la sècheuse. Pour économiser de l'énergie, du temps et éviter un séchage et des plis inégaux, évitez de surcharger la sècheuse.</p> <p>NE PAS trop sécher. Un séchage excessif peut causer des plis, un rétrécissement, de la peluche et une accumulation d'électricité statique.</p>

ÉTAPES	CONSEILS	IMPORTANT
1. Sélectionnez le cycle et les paramètres appropriés pour chaque brassée.	<ul style="list-style-type: none"> Consultez la section <i>Sélection du cycle et Paramètres du cycle</i> pour obtenir des descriptions détaillées des commandes relatives au cycle. Consultez les <i>Tableaux des paramètres de cycle</i> pour déterminer quels paramètres sont disponibles pour chaque cycle. Tous les réglages ou toutes les options ne sont pas disponibles pour chaque cycle afin d'assurer un traitement optimal du linge. Si un réglage ou une option n'est pas disponible pour un cycle, le voyant ne s'allumera pas. Consultez le <i>Tableau des réglages</i> pour obtenir des informations sur les options disponibles pour chaque cycle par modèle. Les ajustements apportés à la plupart des paramètres de cycle seront mémorisés chaque fois que le cycle sera sélectionné à l'avenir. Lorsque la sècheuse est allumée, le cycle par défaut sera le cycle normal. Sélectionnez le cycle souhaité et les paramètres précédents resteront. Pour revenir aux réglages d'usine, appuyez simultanément sur le bouton de séchage et sur le bouton d'options et maintenez-les enfoncés jusqu'à ce que le signal retentisse. 	<p>Un séchage excessif peut causer des plis, un rétrécissement, de la peluche, une rugosité et une accumulation d'électricité statique.</p> <p>Pour éviter l'exposition accidentelle et non intentionnelle d'un tissu délicat à une chaleur excessive ou à une vapeur inattendue, il faudra à chaque fois sélectionner de nouveau le réglage de température désinfecter et l'option perfect steam^{MC}.</p>
2. Fermez la porte de la sècheuse et démarrez le cycle de séchage.	<ul style="list-style-type: none"> Pour démarrer le cycle de séchage, fermez la porte et appuyez sur le bouton start/pause (démarrage/pause). Pour ajouter un élément au tambour de la sècheuse, appuyez sur start/pause (démarrage/pause). Ajoutez l'élément oublié, fermez la porte et appuyez sur start/pause (démarrage/pause) pour reprendre le cycle. Pour modifier les réglages ou les options après le début du cycle, appuyez sur start/pause (démarrage/pause), modifiez les réglages, puis appuyez sur start/pause (démarrage/pause). Si le cycle n'est pas d'abord interrompu, l'appareil émettra plusieurs bips lorsque les boutons sont enfoncés sans appliquer aucun changement au cycle. Pour changer le cycle après que celui-ci a commencé, appuyez sur cancel (annuler) pour l'annuler, sélectionnez le nouveau cycle et appuyez sur start/pause (démarrage/pause) pour le lancer. La modification d'un cycle sans annuler le cycle actuel NE LE CHANGERA PAS. Pour annuler un cycle, appuyez sur cancel (annuler). 	<p>La sècheuse ne fonctionnera pas tant que la porte reste ouverte.</p> <p>Lorsque vous séchez un article volumineux ou plus gros, comme une douillette, mettez le cycle en pause jusqu'à la fin pour retourner l'article à l'envers et maximiser l'efficacité du séchage.</p>
3. Retirez les articles lorsque le cycle est terminé.	<ul style="list-style-type: none"> Un signal sonore retentira à la fin du cycle si l'option de signal sonore n'est pas réglée sur Muet. Retirez immédiatement les articles une fois le cycle terminé et suspendez-les ou pliez-les. 	Consultez les instructions du fabricant du produit.
4. Nettoyez le filtre à peluches.	<ul style="list-style-type: none"> Consultez la section Entretien et nettoyage de ce manuel. Le message CLEAN LINT (Nettoyer le filtre à peluches) s'affichera à la fin du cycle pour vous rappeler de retirer les peluches du filtre. 	RETIREZ TOUJOURS LES PELUCHES à la fin du cycle (voir l'avertissement à la page précédente).

Sons de fonctionnement normaux

Il se peut que les sons ci-dessous émanent de votre nouvelle sècheuse :

- 1. SOUPAPE D'EAU** (modèles à vapeur seulement) Le débit d'eau est contrôlé par des solénoïdes électriques. Pendant le fonctionnement, il peut y avoir un déclic lorsque la vanne s'ouvre et se ferme pour contrôler le débit d'eau.
- 2. ROULEAUX DE SUSPENSION** Le tambour de la sècheuse est soutenu par un jeu de rouleaux de suspension. Il peut parfois y avoir un bruit de tambourinage ou de roulement lorsque la sècheuse démarre. Cela peut se produire si la sècheuse n'a pas été utilisée depuis un certain temps ou après qu'une charge lourde est restée dans le tambour de la sècheuse pendant une période prolongée, créant ainsi une zone plate temporaire sur le bord du rouleau. Le bruit devrait se dissiper lorsque la sècheuse fonctionne et que les zones plates s'estompent.
- 3. SYSTÈME DE DÉBIT D'AIR** Votre sècheuse est équipée d'un système de traitement de l'air à volume élevé. Dans certaines installations, il peut y avoir certains sons associés à la circulation de l'air dans la sècheuse, y compris le conduit d'air, le ventilateur et le système d'évacuation. Ceci est normal et peut varier selon la taille et le type de charge.
- 4. SOUPAPE DE GAZ** (modèles à gaz seulement) Le débit de gaz est contrôlé par des solénoïdes électriques. Pendant le fonctionnement, il peut y avoir un déclic lorsque la vanne s'ouvre et se ferme pour contrôler le débit de gaz.
- 5. BRÛLEUR À GAZ** (modèles à gaz seulement) Lorsque le brûleur fonctionne, il peut y avoir des sons générés lorsque le débit d'air se mélange à la flamme du gaz. Ce bruit est normal et ne se produit que lorsque le gaz est allumé dans le tube de combustion.



Avant d'utiliser votre sècheuse

Consultez les instructions importantes dans cette section du *Manuel d'utilisation et d'entretien* avant d'utiliser la sècheuse.



AVERTISSEMENT

Pour réduire le risque d'incendie, d'électrocution ou de blessures, lire les Instructions importantes concernant la sécurité dans ce *Manuel d'utilisation et d'entretien* avant d'utiliser votre sècheuse.

**AVERTISSEMENT**

Pour réduire le risque d'incendie ou de blessures graves aux personnes ou aux biens, respectez les avertissements de base répertoriés dans les Informations de sécurité importantes et ceux répertoriés ci-dessous :

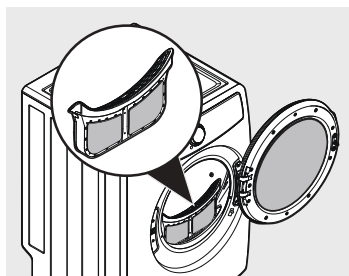
Nettoyage du filtre**AVERTISSEMENT**

Nettoyez le filtre à peluches après chaque brassée. **Le message CLEAN LINT** (Nettoyer le filtre à peluches) s'affichera à la fin du cycle pour vous rappeler de retirer les peluches du filtre.

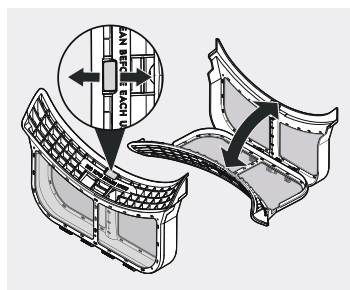
Nettoyez le filtre à peluches après chaque brassée. L'accumulation de peluches sur le filtre restreint le débit d'air, ce qui entraîne des temps de séchage plus longs. Le filtre est situé au bas de l'ouverture de la porte.

Nettoyage du filtre à peluches LuxCare^{MC}

1. Retirez le filtre en le tirant vers le haut hors de la sècheuse.



2. Appuyez sur le bouton situé sur le dessus du filtre pour ouvrir la double coque.



3. Nettoyez délicatement les peluches du filtre.
4. Refermez le filtre et replacez-le dans la sècheuse.

**IMPORTANT**

- N'OUVREZ PAS le filtre à double coque au-delà de la limite de la charnière.
- Manipulez TOUJOURS le filtre à double coque par le cadre et non par le matériau maillé.

À l'intérieur

- Il arrive parfois qu'une accumulation de cire se forme sur le filtre à peluches ou sur les barres de détection d'humidité en utilisant des feuilles assouplissantes ajoutées au séchage. Pour éliminer cette accumulation, lavez-les à l'eau tiède savonneuse. Bien sécher le filtre et le remettre en place. NE PAS faire fonctionner la sècheuse sans filtre à peluches en place.
- Si le tambour de la sècheuse est taché par des tissus qui ne sont pas grand teint, nettoyez-le avec un chiffon humide et un nettoyant domestique liquide doux. Retirez les résidus de nettoyant avant de sécher la prochaine brassée.
- Avant de nettoyer l'intérieur du tambour de la sècheuse, débranchez le cordon d'alimentation électrique pour éviter les risques d'électrocution.

- NE PAS utiliser de nettoyant en vaporisateur lors du nettoyage de l'intérieur de la sècheuse. Des émanations dangereuses ou une décharge électrique pourraient se produire.
- **Tous les 18 mois environ, l'intérieur de la sècheuse, le boîtier du filtre à peluches et le conduit d'évacuation doivent être nettoyés par un professionnel de service qualifié. Ces zones peuvent recueillir des peluches et de la poussière au fil du temps. Une accumulation excessive de peluches pourrait entraîner un séchage inefficace et un risque d'incendie.**

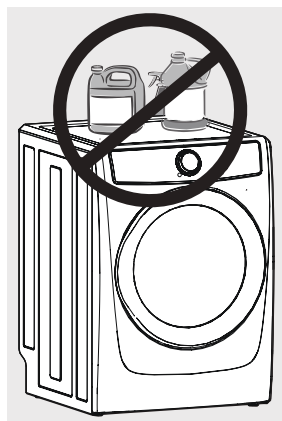
Extérieur

- Nettoyez l'extérieur de la sècheuse avec de l'eau tiède savonneuse. N'utilisez jamais de nettoyants abrasifs ou rugueux.
- Si l'extérieur est taché, nettoyez-le avec un javellisant dilué (1 partie d'eau de Javel pour 8 parties d'eau). Rincez plusieurs fois à l'eau claire.
- Retirez les résidus de colle de ruban ou des étiquettes avec un mélange d'eau tiède et de détergent doux. Vous pouvez aussi toucher le résidu avec le côté collant du ruban ou de l'étiquette.
- Lors du nettoyage des pièces chromées, il est préférable d'utiliser uniquement un chiffon humide.
- Avant de déplacer la sècheuse, placez une bande de carton ou un fin panneau de fibres sous les pieds de nivellement avant pour éviter d'endommager le plancher.



IMPORTANT

NE JAMAIS ranger ou placer de produits de lessive sur la sècheuse. Ils peuvent endommager la finition ou les commandes. Il est recommandé de conserver les produits de lessive dans le tiroir de rangement entre les cycles si la sècheuse est installée sur un piédestal.



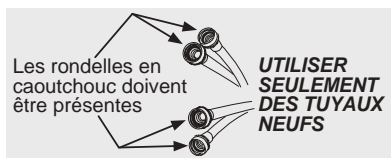
AVERTISSEMENT

RISQUE D'INCENDIE

Une sècheuse produit des peluches combustibles. La sècheuse doit être raccordée à un tuyau d'évacuation extérieur. Inspectez régulièrement l'ouverture d'évacuation extérieure et éliminez toute accumulation de peluches autour de l'ouverture et dans la zone environnante.

Inspection du tuyau d'admission d'eau (modèles à vapeur seulement)

Inspectez régulièrement tous les tuyaux d'arrivée d'eau pour détecter les fuites, l'usure, les coupures, la corrosion et les gonflements. Remplacez tous les tuyaux si vous constatez l'un des signes ci-dessus. Tous les tuyaux doivent être remplacés tous les cinq ans afin de réduire le risque de défaillance des tuyaux. Lors du remplacement des tuyaux, reportez-vous à la section *Instructions d'installation* pour obtenir des instructions d'installation appropriées. NE PAS trop serrer ou visser les raccords. NE PAS laisser le tuyau frotter contre des objets tranchants. Toujours s'assurer que le joint d'étanchéité en caoutchouc du raccord de tuyau est installé et exempt de fuites d'eau lorsque la pression d'eau est exercée.



Utilisation limitée, vacances et absence de la maison



MISE EN GARDE

Votre sècheuse doit être utilisée **UNIQUEMENT** lorsque vous êtes à la maison. Si vous n'êtes pas à la maison ou si vous n'utilisez pas votre sècheuse pendant de longues périodes, suivez les étapes ci-après :

5. Coupez l'alimentation en eau de la sècheuse (modèles à vapeur seulement) pour éviter les fuites d'eau dues aux surpressions d'eau et aux imprévus dans l'alimentation en eau.
6. Déconnectez ou débranchez l'alimentation électrique de la sècheuse.

Rebranchement de l'alimentation en eau et de l'électricité



IMPORTANT

Lors de la réinstallation de la sècheuse après avoir débranché les conduites d'alimentation en eau (modèles à vapeur seulement) et l'alimentation électrique, veuillez suivre les étapes ci-dessous :

1. Consultez les *Instructions d'installation* fournies avec la sècheuse pour vous assurer que l'appareil est de niveau et que l'alimentation en eau et en électricité est correctement branchée.
2. Assurez-vous que les conduites d'eau sont rincées des débris avant de raccorder les conduites d'eau à l'entrée de la sècheuse.
3. Vérifiez s'il y a des fuites d'eau et remplacez les tuyaux d'alimentation au besoin.

Questions fréquentes concernant le séchage


De nombreux problèmes de séchage impliquent de mauvais résultats de nettoyage, une mauvaise élimination de la saleté et des taches, des résidus de peluches et d'écume et des dommages aux tissus. Pour des résultats de séchage satisfaisants, suivez les suggestions fournies par The Soap and Detergent Association.

PROBLÈME	CAUSES POSSIBLES	SOLUTIONS	MESURES PRÉVENTIVES
Taches graisseuses et huileuses	<ul style="list-style-type: none"> • Feuille assouplissante 	<ul style="list-style-type: none"> • Frottez les taches d'assouplisseur avec du pain de savon. Rincez et ravez. 	<ul style="list-style-type: none"> • Ajoutez quelques serviettes de bain aux petites brassées pour un culbutage adéquat. • Certains tissus « semblables à de la soie » doivent être séchés à l'air. • Utilisez une température de séchage appropriée. • Placez la feuille assouplissante sur le dessus de la brassée avant de démarrer la sècheuse.
Peluches	<ul style="list-style-type: none"> • Surcharge • Un surséchage provoque de l'électricité statique • Filtre à peluches qui n'est pas propre au début du cycle • Les peluches sont fixées aux « bouloches » 	<ul style="list-style-type: none"> • Réduisez la taille de la brassée et lavez à nouveau à l'aide d'un assouplisseur liquide lors du rinçage final. • Vous pouvez aussi ajouter une feuille assouplissante et la culbuter sans chaleur. • Utilisez une brosse ou un rouleau à peluches pour enlever les peluches. 	<ul style="list-style-type: none"> • NE PAS surcharger la sècheuse. • Utilisez un assouplisseur dans la laveuse ou la sècheuse pour réduire l'électricité statique. • Retirez les articles lorsqu'ils sont légèrement humides pour éviter de trop sécher. • Vérifiez que le filtre à peluches est propre et en place.
Boulochage (les fibres se détachent, forment une boule et s'accrochent aux tissus)	<ul style="list-style-type: none"> • Séchage excessif 	<ul style="list-style-type: none"> • Utilisez une brosse ou un rasoir à peluches pour enlever les bouloches. 	<ul style="list-style-type: none"> • Utilisez un assouplisseur pour lubrifier les fibres. • Lors du repassage, utilisez de l'amidon en aérosol ou un apprêt de tissu sur les cols et les poignets. • Retournez les articles à l'envers pour réduire l'abrasion.

PROBLÈME	CAUSES POSSIBLES	SOLUTIONS	MESURES PRÉVENTIVES
Rétrécissement	<ul style="list-style-type: none"> • Température trop élevée • Séchage excessif 	<ul style="list-style-type: none"> • État irréversible. 	<ul style="list-style-type: none"> • Suivez les instructions sur l'étiquette d'entretien des tissus. • Si le rétrécissement est une préoccupation, vérifiez souvent la brassée. • Retirez les articles lorsqu'ils sont légèrement humides et suspendez-les ou posez-les à plat pour terminer le séchage. • Donnez forme aux tricot.
Formation de plis	<ul style="list-style-type: none"> • Surcharge • Laisser des articles dans la sècheuse après la fin du cycle 	<ul style="list-style-type: none"> • Réduisez la taille de la brassée et culbutez à chaleur moyenne ou basse pendant 5 à 10 minutes. • Retirez immédiatement les articles. Suspendre ou plier. 	<ul style="list-style-type: none"> • NE PAS surcharger la sècheuse. • Retirez les articles dès la fin du cycle.
Taches d'humidité isolées sur les tissus après le cycle de vapeur terminé	<ul style="list-style-type: none"> • Une faible pression d'eau dans la maison n'est pas suffisante pour atomiser l'eau entrante pendant le cycle de vapeur 	<ul style="list-style-type: none"> • Vérifiez la pression de la conduite d'eau. 	<ul style="list-style-type: none"> • Assurez-vous que la pression de la conduite d'eau est d'au moins 20 psi. NE PAS dépasser 120 psi.

Avant d'appeler

Avant d'appeler pour obtenir un service, consultez cette liste. Cela peut vous faire économiser du temps et de l'argent. La liste comprend des situations courantes qui ne sont pas le résultat d'un défaut de fabrication ou de matériel dans votre sècheuse.

PROBLÈME	CAUSES POSSIBLES	SOLUTIONS
La sècheuse ne démarre pas.	<ul style="list-style-type: none"> Le cordon d'alimentation électrique n'est pas bien branché ou la fiche peut être mal fixée. Un fusible de la maison est grillé ou un disjoncteur est déclenché. Action d'appuyer sur le bouton de démarrage de la console de type « écran tactile » non reconnue Limiteur thermique déclenché. Départ différé activé par inadvertance. La porte peut être ouverte. L'appareil ne fonctionnera pas lorsque la porte est ouverte. Brassée difficile à sécher. 	<ul style="list-style-type: none"> Assurez-vous que la fiche est bien insérée dans la prise murale. Réinitialisez le disjoncteur ou remplacez le fusible. Assurez-vous que la canalisation électrique n'est pas surchargée et que la sècheuse est sur un circuit séparé. Appuyez sur le bouton de démarrage avec le bout du doigt nu. Appelez un technicien de service autorisé pour obtenir un remplacement. Assurez-vous que le départ différé n'est pas activé. Assurez-vous que la porte est fermée. Sélectionnez l'option Dry Boost.
Les DEL affichent «  ».	<ul style="list-style-type: none"> La sècheuse a été programmée pour effectuer temporairement un cycle de démonstration répétitif. 	<ul style="list-style-type: none"> Réinitialisez l'appareil aux réglages d'usine comme décrit précédemment.
La sècheuse fonctionne, mais ne chauffe pas.	<ul style="list-style-type: none"> Il y a deux fusibles dans le circuit de la sècheuse. Si un des deux fusibles est grillé, le tambour peut tourner, mais le radiateur ne fonctionnera pas (modèles électriques). La soupape d'alimentation en gaz n'est pas ouverte (modèles à gaz). La sècheuse n'a pas assez d'air pour soutenir la flamme du brûleur (modèles à gaz). Le réservoir d'alimentation en GPL est vide ou il y a eu une interruption de service du gaz naturel (modèles à gaz). 	<ul style="list-style-type: none"> Remplacez le fusible. Assurez-vous que la soupape d'alimentation est ouverte. Consultez les <i>Instructions d'installation</i> fournies avec la sècheuse. Consultez les sections <i>d'installation de ce manuel</i>. Remplissez ou remplacez le réservoir. La sècheuse devrait chauffer lorsque le service est rétabli.

PROBLÈME	CAUSES POSSIBLES	SOLUTIONS
Le cycle de séchage prend trop de temps, l'extérieur de la sècheuse est trop chaud ou sent la chaleur.	<ul style="list-style-type: none"> Le filtre à peluches est bouché par des peluches. Les exigences relatives aux conduits d'évacuation n'ont pas été respectées. La sècheuse électrique est connectée à un circuit de 208 V. Les procédures de séchage n'ont pas été suivies. La hotte d'évacuation extérieure ou le conduit d'évacuation peut être obstrué ou restreint. Humidité élevée. 	<ul style="list-style-type: none"> Assurez-vous que toutes les peluches ont été éliminées du filtre à peluches de la sècheuse avant de commencer chaque cycle. Le conduit d'évacuation doit avoir un diamètre d'au moins 4 po et être fait de métal rigide ou semi-rigide. Une fois en place, le conduit ne doit pas dépasser la longueur indiquée dans les <i>instructions d'installation</i>. Le temps de séchage sera 20 % plus long que le temps de séchage sur un circuit de 240 V. Consultez le <i>Mode d'emploi</i>. Nettoyez toute obstruction. Utilisez un déshumidificateur près de la sècheuse.
Excès d'humidité dans le tambour entre les cycles.	<ul style="list-style-type: none"> Le registre d'évacuation est bloqué ouvert ou absent. 	<ul style="list-style-type: none"> Réparez ou nettoyez le registre ou installez-en un nouveau.
Froissement excessif.	<ul style="list-style-type: none"> La sècheuse est surchargée. Articles laissés dans la sècheuse trop longtemps. Tri insuffisant des articles. Température de séchage trop élevée. La charge de séchage est très petite. 	<ul style="list-style-type: none"> NE PAS surcharger. Consultez le <i>Mode d'emploi</i>. Retirez les articles dès la fin du cycle. Consultez le <i>Mode d'emploi</i>. Suivez les instructions sur l'étiquette d'entretien des tissus. Ajoutez deux ou trois articles plus gros.
Égratignure ou écaillage de la finition du tambour.	<ul style="list-style-type: none"> Des objets étrangers comme des pièces de monnaie, des épingles, des pinces ou des boutons se trouvent à l'intérieur de la sècheuse*. Les articles fixés en permanence comme les boucles de ceinture, les fermetures éclair et les attaches peuvent frapper l'intérieur du tambour*. 	<ul style="list-style-type: none"> Toujours retirer les corps étrangers des poches avant de laver. Retirez les objets du tambour et redémarrez la sècheuse. Il peut être nécessaire de coudre un morceau de matériau fermement autour des ornements avant de les sécher pour éviter les égratignures et les dommages à la sècheuse.
* Les dommages au tambour causés par des corps étrangers ou des articles fixés de façon permanente ne sont pas couverts par la garantie.		

Débutant à la date d'achat de votre électroménager et pendant toute la période de garantie pertinente énoncée ci-après, Electrolux s'engage à rembourser tous les coûts de réparation ou de remplacement de pièces comportant des défauts de main-d'œuvre ou de matériaux à la condition que l'électroménager soit correctement installé, entretenu et utilisé conformément aux instructions du fabricant incluses.

Durée de la garantie :

- Toutes les pièces : un an, y compris la main-d'œuvre. Votre électroménager est de surcroît couvert par une garantie limitée de 1 an uniquement pour les pièces. Pendant 2e année suivant la date d'achat, Electrolux s'engage à rembourser tous les coûts de réparation ou de remplacement de pièces de votre électroménager comportant des défauts de main-d'œuvre ou de matériaux lorsqu'il est correctement installé, entretenu et utilisé conformément aux instructions du fabricant ci-incluses.

Exclusions

La garantie ne couvre pas les éléments suivants :

1. Les produits dont le numéro de série original a été effacé, modifié ou ne peut être aisément déterminé.
2. Un produit transféré de son propriétaire original vers une tierce partie ou qui a été expédié hors des É.-U. ou du Canada.
3. Rouille à l'intérieur ou à l'extérieur de l'appareil.
4. Les produits achetés « comme tels » ne sont pas couverts par la garantie.
5. Les produits utilisés dans un environnement commercial.
6. Les appels de service qui pour une raison ou l'autre N'IMPLIQUENT PAS une défaillance technique ou un défaut de matériel, de main-d'œuvre ou de fabrication ou des électroménagers qui ne font pas l'objet d'un usage domestique ou qui ne sont pas utilisés conformément aux directives fournies.
7. Les appels de service pour corriger l'installation de votre électroménager ou pour vous apprendre comment vous servir de votre appareil.
8. Les frais encourus pour rendre l'appareil accessible pour une réparation, p. ex., enlever des garnitures, les armoires, les étagères, etc. qui ne faisaient pas partie de l'appareil lorsqu'il a quitté l'usine.
9. Les appels de service pour réparer ou remplacer des ampoules, des filtres à air, filtres à eau, d'autres composants ou des boutons, poignées ou autres pièces esthétiques.
10. Les frais de cueillette et de livraison; votre appareil est conçu pour être réparé à domicile.
11. Les frais supplémentaires, y compris, sans toutefois s'y limiter, le service après les heures de travail, de fin de semaine ou lors d'un jour férié, les péages, les frais de service de traversier ou les frais pour les appels de service dans des régions éloignées, y compris l'état de l'Alaska.
12. Les dommages causés au fini de l'électroménager ou au domicile lors du transport ou de l'installation, y compris, mais sans s'y limiter, aux planchers, armoires, murs, etc.
13. Les dommages causés par : des réparations effectuées par des techniciens non autorisés; l'utilisation de pièces autres que les pièces Electrolux ou les pièces obtenues chez un réparateur autorisé; ou en raison de phénomènes extérieurs comme l'abus, mauvais usage, un bloc d'alimentation inadéquat, les accidents, incendies, ou les cas de force majeure.

AVIS DE NON-RESPONSABILITÉ DE GARANTIES IMPLICITES; LIMITATION DES RECOURS

LE SEUL ET UNIQUE RECOURS DU CLIENT DÉCOULANT DE CETTE GARANTIE LIMITÉE OU AUTRE SE LIMITE À LA RÉPARATION OU AU REMPLACEMENT DU PRODUIT SELON LES DISPOSITIONS PRÉVUES AUX PRÉSENTES. **LES RÉCLAMATIONS FONDÉES SUR DES GARANTIES IMPLICITES, INCLUANT LES GARANTIES DE VALEUR MARCHANDE OU D'ADÉQUATION À UN USAGE PARTICULIER SONT VALABLES POUR UN AN OU SE LIMITENT AU PLUS COURT DÉLAI FIXÉ PAR LA LOI, MAIS NON MOINS D'UN AN.** ELECTROLUX NE SAURAIT ÊTRE TENUE RESPONSABLE DE QUELQUE RÉCLAMATION QUE CE SOIT POUR TOUT DOMMAGE IMMATÉRIEL OU DOMMAGES-INTÉRÊTS ACCESSOIRES DÉCOULANT DE TOUT MANÈGEMENT À CETTE GARANTIE LIMITÉE ÉCRITE OU DE TOUT AUTRES GARANTIES IMPLICITES. CERTAINS ÉTATS, TERRITOIRES OU CERTAINES PROVINCES N'AUTORISENT PAS L'EXCLUSION OU LA LIMITATION DE DOMMAGES IMMATÉRIELS OU ACCESSOIRES, OU LES LIMITATIONS DE LA DURÉE D'UNE GARANTIE IMPLICITE PAR CONSÉQUENT LESDITES LIMITATIONS OU EXCLUSIONS PEUVENT NE PAS S'APPLIQUER DANS VOTRE CAS. CETTE GARANTIE ÉCRITE VOUS CONFÈRE DES DROITS JURIDIQUES PARTICULIERS. VOUS POUVEZ ÉGALEMENT BÉNÉFICIER D'AUTRES DROITS QUI VARIENT D'UN ÉTAT, TERRITOIRE OU D'UNE PROVINCE À L'AUTRE.

Si vous avez besoin d'un réparateur

Conservé votre reçu, votre bon de livraison ou toute autre preuve valide de paiement pour déterminer la période de garantie en cas de besoin de réparations. Si une réparation est effectuée, il est dans votre intérêt fondamental d'obtenir et de conserver tous les reçus. Les réparations à effectuer en vertu de la présente garantie doivent être approuvées en communiquant avec Electrolux aux adresses ou numéros de téléphone ci-après.

Cette garantie limitée s'applique uniquement aux clients des États-Unis, de Porto-Rico et du Canada. Aux États-Unis et à Porto-Rico, votre appareil ménager est garanti par Electrolux Major Appliances North America, une division d'Electrolux Home Products, Inc. Au Canada, votre appareil est garanti par Electrolux Canada Corp. Electrolux n'autorise personne à modifier ou à ajouter des obligations en vertu de la présente garantie. Les obligations de réparation et les pièces couvertes par la garantie doivent être acquittées par Electrolux ou un centre de service autorisé. Les caractéristiques techniques ou les spécifications décrites ou illustrées demeurent sous réserve de modifications sans préavis.

Aux É.-U. :
1-877-435-3287
 Electrolux Home Products, Inc.
 North America
 10200 David Taylor Drive
 Charlotte, NC 28262 USA



Au Canada :
1-800-265-8352
 Electrolux Canada Corp.
 5855 Terry Fox Way
 Mississauga, Ontario, Canada
 L5V 3E4



Use & Care Manual
Clothes Dryer

EN 2

Manuel d'utilisation et d'entretien
Sécheuse à Chargement Frontal

FR 49

Manual de uso y cuidado
Secadora de ropa

SP 101



electrolux.com/register

 **Electrolux**

Lea y guarde este manual

Gracias por elegir Electrolux, nuestra marca premium en electrodomésticos. Este *Manual de uso y cuidado* es parte de nuestro compromiso con la satisfacción del cliente y la calidad del producto durante toda la vida útil de su nuevo electrodoméstico.

Su compra es para nosotros el comienzo de una relación. Para garantizar nuestra capacidad de seguir prestándole servicios, use esta página para registrar información importante sobre el producto.

Tenga una copia para poder consultarla rápidamente cuando lo necesite

Fecha de compra

Número de modelo Electrolux

Número de serie Electrolux

Serie de modelo Electrolux*

*El número de serie se puede encontrar dentro del número de modelo (ejemplo ELFE7637AW = serie 600)

NOTA

Al registrar su producto en Electrolux, nos permite ofrecerle un mejor servicio. Puede registrarse en línea en www.electrolux.com, enviando su Tarjeta de registro del producto por correo postal, o a través de PHOTOREGISTERSM usando un teléfono inteligente. Consulte la tarjeta de registro para obtener más información.

Índice

Información de seguridad importante.....	102
Características.....	108
Requisitos de PREINSTALACIÓN	109
Instalación.....	118
Accesorios y repuestos.....	128
Controles y ajustes.....	129
Instrucciones de operación.....	141
Sonidos de funcionamiento normales	143
Mantenimiento y limpieza	144
Resolución de problemas.....	146
Garantía limitada	150

¿Tiene alguna pregunta?

Para obtener asistencia telefónica gratuita o asistencia en línea en EE. UU. y Canadá, comuníquese con:

EE. UU.

1-877-4ELECTROLUX (1-877-435-3287)
www.electrolux.com

Canadá

1-800-265-8352
www.electrolux.ca

NOTA

Las instrucciones que figuran en este *Manual de uso y cuidado* no pretenden cubrir todas las condiciones y situaciones posibles que pueden ocurrir. Se debe tener precaución y usar el sentido común al instalar, operar y mantener cualquier electrodoméstico.

LEA TODAS LAS INSTRUCCIONES ANTES DE OPERAR ESTA SECADORA.

GUARDE ESTAS INSTRUCCIONES PARA PODER CONSULTARLAS EN EL FUTURO.

Instrucciones de seguridad importantes: secadora de gas**ADVERTENCIA****Riesgo de explosión o INCENDIO**

Si no se cumple de manera exacta la advertencia de seguridad podrían provocarse lesiones graves, la muerte o daños a la propiedad.

NO almacene ni use gasolina ni otros vapores o líquidos inflamables cerca de este o de ningún otro electrodoméstico.

QUÉ HACER SI HUELE A GAS:

- **NO** intente encender ningún aparato.
- **NO** toque ningún interruptor eléctrico; **NO** use ningún teléfono en su edificio.
- Despeje la habitación, el edificio o el área de todos los ocupantes.
- Llame de inmediato a su proveedor de gas desde el teléfono de un vecino. Siga las instrucciones del proveedor de gas.
- Si no puede comunicarse con su proveedor de gas, llame al departamento de bomberos.

Un instalador calificado, una agencia de servicio o el proveedor de gas deben realizar la instalación y el servicio.

**PELIGRO**

Si usa propano líquido (LP), **DETÉNGASE** e instale el kit de LP antes de operar su secadora de gas.



ADVERTENCIA RIESGO DE INCENDIO

- **Asegúrese de que todo el sistema de escape de la secadora esté limpio, libre de pelusas y residuos antes de instalar la nueva secadora. Todo el sistema de escape debe inspeccionarse y limpiarse como mínimo cada 18 meses de uso normal. El incumplimiento de la limpieza del sistema de escape aumentará el RIESGO de INCENDIO.**
- NO instale una secadora de ropa con plástico flexible ni material de ventilación de lámina flexible. Se sabe que los materiales de ventilación flexibles colapsan, se aplastan fácilmente y atrapan pelusas. Estas condiciones obstruirán el flujo de aire de la secadora de ropa y aumentarán el riesgo de incendio.
- NO coloque filtros en los extremos del escape del sistema de ventilación, ni use tornillos, remaches u otros sujetadores que se extiendan en el conducto para montar el sistema de escape. NO permita que un filtro o una rejilla de malla de ningún tamaño cubra la abertura del escape exterior.
- Instale la secadora de ropa de acuerdo con las instrucciones del fabricante y los códigos locales.
- Un instalador calificado, una agencia de servicio o el proveedor de gas deben realizar la instalación y el servicio de la secadora de ropa.
- El servicio eléctrico para la secadora debe cumplir con los códigos y las ordenanzas locales y la última edición del Código Eléctrico Nacional, ANSI/NFPA 70, o en Canadá, el Código Eléctrico Canadiense CSA C22.1 parte 1.
- El servicio de gas para la secadora debe cumplir con los códigos y las ordenanzas locales y la última edición del Código Nacional de Gas Combustible ANSI Z223.1/NFPA 54, o en Canadá, el Código de Instalación de Gas Natural y Propano, CSA B149.1. Se debe instalar una válvula de cierre manual individual a una distancia de 6 ft (1.83 m) de la secadora de acuerdo con el Código Nacional de Gas Combustible, ANSI Z223.1/NFPA 54.
- NO apile una secadora sobre la lavadora ya instalada en el pedestal. NO apile la lavadora encima de la secadora. NO apile la lavadora encima de otra lavadora.
- La secadora se diseñó según ANSI Z21.5.1/CSA 7.1 o UL 2158 - CAN/CSA C22.2 N.º 112 (últimas ediciones) solo para USO DOMÉSTICO. Esta secadora no se recomienda para aplicaciones comerciales como restaurantes, salones de belleza, etc.
- Destruya la caja y las bolsas de plástico después de desempacar la secadora. Los niños podrían usarlos para jugar. Las cajas cubiertas con tapetes, cubrecamas o láminas de plástico pueden convertirse en espacios con falta de oxígeno. Coloque todos los materiales en un contenedor de basura o asegúrese de que los niños no puedan acceder a los materiales.
- Para reducir el riesgo de lesiones graves o la muerte, siga todas las instrucciones de instalación de este manual.


Las instrucciones de este manual y en la totalidad de la bibliografía que se incluye con esta secadora no pretenden cubrir todas las condiciones y situaciones posibles que pueden ocurrir. Se debe tener precaución e implementar una buena práctica segura al instalar, operar y mantener cualquier electrodoméstico.



ADVERTENCIA

Para su seguridad, se debe seguir la información de este manual para minimizar el riesgo de incendio o explosión, o para evitar daños materiales, lesiones personales o la muerte. NO almacene ni use gasolina ni otros vapores o líquidos inflamables cerca de este o de ningún otro electrodoméstico.

Definiciones

 Este es el símbolo de alerta de seguridad. Se usa para alertarle sobre posibles riesgos de lesiones personales. Respete todos los mensajes de seguridad que siguen a este símbolo para evitar posibles lesiones o la muerte.



PELIGRO

PELIGRO: Indica una situación inminentemente peligrosa que, si no se evita, provocará la muerte o lesiones graves.



ADVERTENCIA

ADVERTENCIA: Indica una situación posiblemente peligrosa que, si no se evita, podría provocar la muerte o lesiones graves.



PRECAUCIÓN

PRECAUCIÓN: Indica una situación posiblemente peligrosa que, si no se evita, podría provocar lesiones leves o moderadas.



IMPORTANTE

IMPORTANTE: Indica información de instalación, funcionamiento o mantenimiento que es importante, pero que no está relacionada con peligros.



ADVERTENCIA

PELIGRO DE INCENDIO

Para reducir el riesgo de incendio, descargas eléctricas o lesiones a las personas cuando utilizan esta secadora, cumpla con las advertencias básicas que figuran a continuación. El incumplimiento de las advertencias de la Instrucción importante de seguridad podría provocar daños materiales, lesiones personales graves o la muerte.

Prevención de incendios

- NO seque elementos que se limpiaron, empaparon, o mancharon previamente con gasolina, solventes de limpieza, queroleno, ceras, u otras sustancias inflamables o explosivas. NO almacene estos elementos en la secadora o cerca de ella. Estas sustancias emiten vapores que podrían encenderse o explotar.

- NO coloque en la secadora elementos expuestos a aceites de cocina. Los elementos contaminados con aceites de cocina pueden contribuir a una reacción química que podría hacer que una carga se incendie. Para reducir el riesgo de incendio debido a las cargas contaminadas, la parte final de un ciclo de la secadora se produce sin calor (período de enfriamiento). Evite detener la secadora antes de que finalice el ciclo de secado, a menos que todos los elementos se retiren rápidamente y se extiendan de manera que el calor se disipe.
- NO seque elementos que contengan caucho, plástico o materiales similares como sostenes, botas de caucho, alfombras de baño, tapetes, baberos, pañales tipo pantalón para bebés, bolsas de plástico y almohadas que se puedan derretir o quemar. Algunos materiales de caucho, cuando se calientan, pueden, en ciertas circunstancias, producir fuego por combustión espontánea.
- NO opere la secadora si el filtro para pelusas se obstruyó, dañó o falta. Pueden producirse peligros de incendio, sobrecalentamiento y daños en los tejidos.
- NO obstruya el flujo de aire de ventilación. NO apile ni coloque la ropa sucia ni coloque tapetes contra la parte delantera o trasera de la secadora.



ADVERTENCIA

PELIGRO DE INCENDIO

Limpie el filtro para pelusas antes o después de cada carga. **Un profesional de servicio calificado debe limpiar el interior de la secadora, la carcasa del filtro para pelusas y el conducto de escape aproximadamente cada 18 meses.** Una cantidad excesiva de acumulación de pelusa en estas áreas podría provocar un secado ineficiente y un posible incendio. *Consulte la sección "Mantenimiento y limpieza".*



ADVERTENCIA

PELIGRO DE INCENDIO

Una secadora de ropa produce pelusas combustibles. La secadora debe estar conectada a un escape al exterior. Inspeccione regularmente la abertura del escape al exterior y elimine cualquier acumulación de pelusa alrededor de la abertura y en el área circundante.

- NO rocíe ningún tipo de aerosol dentro, sobre o cerca de la secadora en ningún momento.

- NO use suavizantes para tejidos ni productos para eliminar la estática a menos que el fabricante del suavizante para tejidos o producto lo recomiende.



ADVERTENCIA

NO continúe usando la secadora si escucha chirridos, rechinidos, roces u otros ruidos inusuales. Esto podría ser un signo de avería mecánica y provocar un incendio o lesiones graves. **Comuníquese con un técnico calificado de inmediato.**

- El incumplimiento de estas advertencias podría provocar incendios, explosiones, lesiones corporales graves o daños a la secadora.

Protección para los niños

- NO permita que los niños jueguen sobre o dentro de la secadora. Es necesario supervisar estrechamente a los niños cuando se utiliza la secadora cerca de ellos. A medida que los niños crecen, enséñeles el uso seguro y adecuado de todos los electrodomésticos.
- Destruya la caja, la bolsa de plástico y otros materiales de empaque después de desempacar la secadora. Los niños podrían usarlos para jugar. Las cajas cubiertas con tapetes, cubrecamas o láminas de plástico pueden convertirse en espacios con falta de oxígeno.
- Mantenga los productos para lavandería fuera del alcance de los niños. Para evitar lesiones personales, respete todas las advertencias en las etiquetas del producto.
- Antes de retirar la secadora de servicio o desecharla, retire la puerta de la secadora para evitar el encierro accidental.
- El incumplimiento de estas advertencias podría provocar lesiones personales graves.

Riesgo de encierro accidental de menores

El encierro accidental y la asfixia no son problemas del pasado. Las lavadoras y secadoras desechadas o abandonadas siguen siendo peligrosas, incluso si los tendrá "solo por unos días". Si desecha una lavadora o secadora vieja, siga las instrucciones que se indican a continuación para ayudar a evitar accidentes.

Recomendamos firmemente los métodos de reciclaje o eliminación responsable de electrodomésticos. Comuníquese con su Oficina de energía estatal o provincial, con la empresa de servicios de agua y electricidad local o con la Oficina del Programa de Conservación, o visite www.energystar.gov/recycle para obtener más información sobre el reciclaje de su lavadora o secadora vieja.

Antes de desechar su lavadora o secadora vieja:

- Retire las puertas
- Retire el cable de alimentación eléctrica
- Asegure todas las mangueras y tuberías de drenaje para evitar que el agua se derrame y se produzca un riesgo de resbalones.

Prevención de lesiones

- Para evitar el peligro de descarga eléctrica y asegurar la estabilidad durante el funcionamiento, un técnico calificado debe instalar y conectar a tierra la secadora de acuerdo con los códigos locales. Las instrucciones de instalación se incluyen en este manual como referencia. Consulte las *secciones de instalación* para conocer los procedimientos de conexión a tierra detallados. Si la secadora se traslada a una nueva ubicación, haga que un profesional de servicio calificado la revise y vuelva a instalarla.
- Para evitar lesiones personales o daños a la secadora, el cable de alimentación eléctrica de una secadora de gas debe enchufarse en un tomacorriente de 3 clavijas correctamente conectado a tierra y polarizado. La tercera clavija de conexión a tierra nunca debe retirarse. Nunca conecte a tierra la secadora a una tubería de gas. NO utilice un cable de extensión ni un enchufe adaptador.
- SIEMPRE desconecte la secadora de la fuente de alimentación eléctrica antes de intentar cualquier servicio o limpieza. De lo contrario, se pueden producir descargas eléctricas o lesiones.
- NO use ningún tipo de limpiador en aerosol cuando limpie el interior de la secadora. Podrían producirse vapores peligrosos o descargas eléctricas.
- Para evitar lesiones, NO meta la mano en la secadora si el tambor está en movimiento. Espere hasta que la secadora se haya detenido por completo antes de meter las manos en el tambor.

Evitar lesiones y daños

a la secadora

- Un proveedor de servicio autorizado debe realizar todas las reparaciones y el servicio a menos que se recomiende específicamente en este *Manual de uso y cuidado*. Utilice únicamente piezas de fábrica autorizadas.
- NO altere los controles.
- NO se sienta sobre la secadora, ni se pare sobre ella. NO apoye las cargas pesadas encima. La secadora no está diseñada para soportar peso.
- NO instale ni almacene la secadora donde estará expuesta a agua estancada, goteo de agua o condiciones

climáticas al aire libre.

- Los interruptores limitadores térmicos apagan automáticamente el motor en el caso poco probable de una situación de sobrecalentamiento. Un técnico de servicio debe reemplazar los interruptores limitadores térmicos después de corregir la falla.
- El incumplimiento de estas advertencias podría provocar lesiones personales graves.
- No utilice piezas de repuesto que no hayan sido recomendadas por el fabricante (por ejemplo, piezas fabricadas en casa con una impresora 3D).




ADVERTENCIA

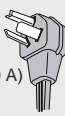
PELIGRO DE INCENDIO/DESCARGA ELÉCTRICA

Evite el peligro de incendio o descarga eléctrica. NO utilice un enchufe adaptador o un cable de extensión ni retire la clavija de conexión a tierra del cable de alimentación eléctrica. El incumplimiento de esta advertencia puede causar lesiones graves, incendios, o la muerte.


Secadora eléctrica de 240 V


10-30R
Trifilar
(con fusible de 30 A)





14-30R
Tetrafililar
(con fusible de 30 A)






Las secadoras eléctricas deben tener un cable eléctrico aprobado por UL (no se incluye con los electrodomésticos excepto los fabricados para la venta en Canadá).

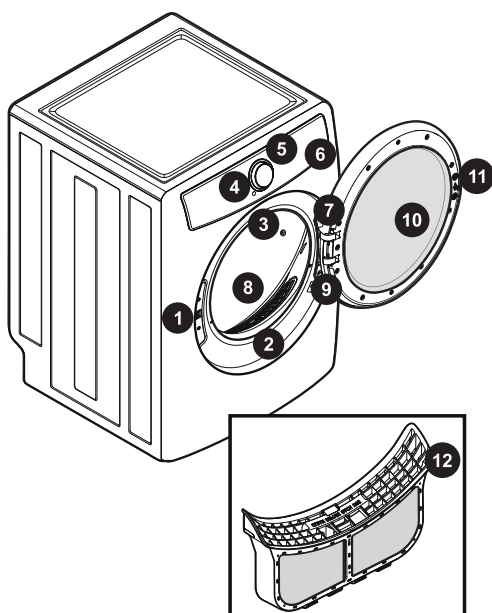
Secadora a gas de 120 V
Tomacorriente de pared con conexión a tierra

Bajo ninguna circunstancia corte, extraiga o desvíe las patas de conexión a tierra.

Cable de alimentación con enchufe de tres patas con conexión a tierra



108 CARACTERÍSTICAS



No todos los ciclos, opciones o características que se enumeran están disponibles en todos los modelos.

1. Pestillo de la puerta	7. Número de serie y número de modelo
2. Sensor de humedad de montaje frontal (en determinados modelos)	8. 3 paletas de tambor
3. Luz del tambor (en determinados modelos)	9. Bisagra de puerta de ángulo amplio
4. Selector de ciclo	10. Puerta reversible
5. Pantalla LED	11. Percutor de puerta
6. Bloqueo de control	12. Protector contra pelusas LuxCare™

Consulte la tabla a continuación, para obtener una descripción general de las características disponibles para cada serie de modelo.

	Anti (Antiestática)	Perfect Steam (Vapor perfecto)	Wrinkle Release (Eliminación de arrugas)	Extended Tumble (Centrifugado prolongado)	Drum Light (Luz del tambor)	Delay Time (Tiempo de retraso)	Control Lock (Bloqueo de control)	Allergen (Alergeno)	Wear it Again (Usala de nuevo)	Sanitize (Desinfectar)	Eco Dry (Secado ecológico)	Fast Dry (Secado rápido)
Serie 300	No	No	Sí	Sí	No	Sí	Sí	No	No	no	Sí	20 minutos
Serie 400	No	Sí	Sí	Sí	Sí	Sí	Sí	No	No	Sí	Sí	18 minutos
Serie 500	Sí	Sí	Sí	Sí	Sí	Sí	Sí	Sí	No	Sí	Sí	15 minutos
Serie 600	Sí	Sí	Sí	Sí	Sí	Sí	Sí	Sí	No	Sí	Sí	15 minutos
Serie 700	Sí	Sí	Sí	Sí	Sí	Sí	Sí	No	Sí	Sí	Sí	15 minutos



Lista de verificación de la instalación

Ventilación de escape

- De flujo libre, sin acumulación de pelusas
- Conductos de transición de metal rígido o semirrígido de 4 pulgadas (102 mm) de longitud y vueltas mínimas
- SIN material de ventilación de lámina o plástico
- Campana de ventilación aprobada que se descarga al exterior

Nivelación

- La secadora está nivelada, de forma lateral y de adelante hacia atrás
- El gabinete está apoyado firmemente en todas las esquinas

Suministro de gas (secadora de gas)

- Válvula de cierre manual presente en el suministro
- Todas las conexiones selladas con sellador aprobado y ajustadas con llave
- Kit de conversión para el sistema LP GAS #PCK4200 (no incluido) y debe comprarse por separado.
- Suministro de gas activado
- Sin fugas presentes en todas las conexiones: verificar con agua jabonosa, NUNCA verificar con llama

Conexión de agua (determinados modelos)

- Inspeccione las mangueras para verificar la colocación correcta de las arandelas de caucho

- El suministro de agua está encendido
- Verifique que no haya fugas
- Las secadoras a vapor requieren el uso del KIT de MANGUERA DE MONTAJE N.º 5304495002 (no incluida) y debe adquirirse por separado.

Suministro eléctrico de 240 V (secadora eléctrica)

- Cable de servicio NEMA 10-30 o 14-30 aprobado con todos los tornillos apretados en el bloque de terminales
- Alivio de tensión aprobado instalado
- Cubierta de acceso a la terminal instalada antes de la operación inicial

Puerta reversible

- Siga las instrucciones detalladas en este manual
- Pruebe de la bisagra y el pestillo para corroborar el funcionamiento

Suministro eléctrico

- Alimentación doméstica encendida
- Secadora enchufada

Inspecciones finales

- Lea detenidamente las Instrucciones de instalación y el Manual de uso y cuidado
- La puerta se cierra y el tambor centrifuga cuando comienza el ciclo
- Tarjeta de registro enviada

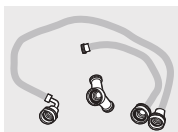
110 REQUISITOS DE PREINSTALACIÓN

Herramientas y materiales necesarios para la instalación:

Requisitos del sistema eléctrico



KIT DE MANGUERA DE MONTAJE - N/P 5304495002, para modelos a vapor solamente, no está incluida y debe adquirirse por separado.



NOTA

Debido a las capacidades de voltaje potencialmente inconsistentes, no se recomienda el uso de esta secadora con energía proporcionada por generadores a gas, generadores solares, generadores eólicos o cualquier otro generador que no sea la compañía de servicios públicos local.

Requisitos eléctricos para la secadora eléctrica:

CIRCUITO: circuito derivado individual de 30 amperios fusionado con fusibles de retardo de 30 amperios o disyuntores. Utilice circuitos con fusibles por separado para la lavadora y la secadora. **NO** opere la lavadora y la secadora en el mismo circuito.

FUENTE DE ALIMENTACIÓN: 3 cables o 4 cables, 120/240 voltios, monofásica, 60 Hz, corriente alterna.

NOTA

Se puede utilizar un suministro de corriente alterna de 120/208 voltios, monofásico, 60 Hz, en las secadoras marcadas para su uso en la placa de características.

NOTA

La secadora eléctrica ha sido diseñada y certificada para funcionar tanto a 240 V como a 208 V. Sin embargo, los tiempos de secado en una fuente de alimentación de 208 V serán aproximadamente un 20 % más largos que los tiempos de secado en una fuente de alimentación de 240 V. Este es un comportamiento normal y esperado, y se aplica a todos los ciclos de secado.

IMPORTANTE

La secadora está conectada a tierra internamente a neutro a menos que se haya fabricado para la venta en Canadá.

Solo se utilizará un cable de 4 conductores cuando el aparato se instale en un lugar donde se prohíbe la conexión a tierra a través del conductor neutro. La conexión a tierra a través del enlace neutro está prohibida para: (1) nuevas instalaciones de circuitos derivados, (2) casas rodantes, (3) vehículos recreativos y (4) áreas donde los códigos locales **NO** permiten la conexión a tierra a través del neutro.

ADVERTENCIA

PELIGRO DE INCENDIO

- Si no se cumplen de manera exacta las advertencias de seguridad podrían provocarse lesiones graves, la muerte o daños a la propiedad.
- **NO** instale un ventilador elevador en el conducto de escape de la secadora.
- Instale todas las secadoras de ropa de acuerdo con las instrucciones de instalación de este manual.

Cable de alimentación de 3 hilos (no suministrado)



Receptáculo de 3 cables (tipo NEMA 10-30R)

La secadora DEBE emplear un cable de alimentación de 3 conductores NEMA 10-30 tipo SRDT con clasificación mínima de 240 voltios CA, 30 amperios, con 3 conectores de lengüeta de horquilla de extremo abierto con extremos invertidos o conectores de bucle cerrado y marcados para su uso con secadoras de ropa. Para obtener instrucciones sobre la conexión de cables de 3 hilos, consulte "Conexión eléctrica (fuera de Canadá): cable de 3 hilos" en la sección Instalación eléctrica.

RECEPTÁCULO DE TOMA DE CORRIENTE: el receptáculo NEMA 10-30R debe ubicarse de modo que el cable de alimentación sea accesible cuando la secadora esté en la posición instalada.

CONEXIÓN A TIERRA: consulte los "Requisitos de conexión a tierra" en la sección Instalación eléctrica.

Cable de alimentación de 4 hilos (no suministrado)



Receptáculo de 4 cables (tipo NEMA 14-30R)

La secadora DEBE emplear un cable de alimentación de 4 conductores NEMA 14-30 tipo SRDT o DRT (según se requiera) con una capacidad nominal de 240 voltios CA como mínimo, 30 amperios, con 4 conectores de lengüeta de horquilla de extremo abierto con extremos invertidos o conectores de bucle cerrado y marcados para su uso con secadoras de ropa. Para obtener instrucciones sobre la conexión de cables de 4 hilos, consulte "Conexión eléctrica (fuera de Canadá): cable de 4 hilos" en la sección Instalación eléctrica.



NOTA

Las secadoras fabricadas para la venta en Canadá tienen un cable de alimentación de 4 hilos instalado en fábrica (NEMA 14-30).

RECEPTÁCULO DE TOMA DE CORRIENTE: el receptáculo NEMA 14-30R debe ubicarse de modo que el cable de alimentación sea accesible cuando la secadora esté en la posición instalada.

CONEXIÓN A TIERRA: consulte los "Requisitos de conexión a tierra" en la sección Instalación eléctrica.

Requisitos eléctricos para la secadora de gas:

CIRCUITO: circuito derivado individual de 15 amperios debidamente polarizado y conectado a tierra fusionado con fusibles de retardo de 15 amperios o disyuntores.

FUENTE DE ALIMENTACIÓN: 2 cables, con conexión a tierra, 120 voltios, monofásica, 60 Hz, corriente alterna.

CABLE DE ALIMENTACIÓN: la secadora está equipada con un cable de alimentación de 3 hilos de 120 voltios.

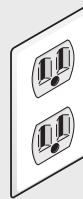
CONEXIÓN A TIERRA: consulte los "Requisitos de conexión a tierra" en la sección Instalación eléctrica.



ADVERTENCIA

Una conexión a tierra incorrecta de la secadora puede causar lesiones graves o la muerte. Consulte con un electricista autorizado si tiene dudas sobre si el electrodoméstico está correctamente conectado a tierra.

Tomacorriente de pared con conexión a tierra



Bajo ninguna circunstancia corte, extraiga o desvíe las patas de conexión a tierra.



Cable de alimentación con enchufe de tres patas con conexión a tierra

Requisitos del suministro de gas



ADVERTENCIA

PELIGRO DE EXPLOSIÓN

La tubería de cobre sin recubrimiento se corroe cuando se somete a gas natural, lo que provoca fugas de gas. Use SOLO tuberías de hierro negro, acero inoxidable o latón con recubrimiento de plástico para suministro de gas.

112 REQUISITOS DE PREINSTALACIÓN

1. El servicio de gas a la secadora debe cumplir con los códigos y ordenanzas locales y la última edición del Código Nacional de Gas Combustible ANSI Z223.1/
2. NFPA 54, o en Canadá, el Código de Instalación de Gas Natural y Propano, CSA B1491.
3. La línea del suministro de gas debe ser una tubería de 1/2 pulgada (1,27 cm).
4. Si los códigos lo permiten, se pueden utilizar tubos de metal flexibles para conectar la secadora a la línea del suministro de gas. La tubería DEBE estar construida de acero inoxidable o latón recubierto de plástico.
5. La línea del suministro de gas DEBE tener una válvula de cierre individual instalada de acuerdo con el Código de Instalación de Gas Natural y Propano B1491.
6. Una conexión roscada N.P.T. de 1/8 de pulgada (0.32 cm), accesible para la conexión del medidor de prueba, DEBE instalarse inmediatamente aguas arriba de la conexión de suministro de gas a la secadora.
7. La secadora DEBE desconectarse del sistema de tuberías de suministro de gas durante cualquier prueba de presión del sistema de tuberías de suministro de gas a presiones de prueba superiores a 1/2 psig (3.45 kPa).
8. La secadora DEBE aislarse del sistema de tuberías de suministro de gas durante cualquier prueba de presión del sistema de tuberías de suministro de gas a presiones de prueba iguales o inferiores a 1/2 psig (3.45 kPa).
9. Las conexiones para el suministro de gas deben cumplir con la Norma de Conectores para Electrodomésticos de Gas, ANSI Z21.24/CSA 6.10.

Requisitos del sistema de escape

Utilice únicamente un conducto de metal rígido o semirrígido de 4 pulgadas (102 mm) de diámetro (mínimo) y una campana de ventilación aprobada que tenga reguladores oscilantes que se abran cuando la secadora esté en funcionamiento. Cuando la secadora se detiene, los reguladores se cierran automáticamente para evitar corrientes de aire y la entrada de insectos y roedores. Para evitar restringir la salida, mantenga un espacio libre mínimo de 12 pulgadas (30.5 cm) entre la campana de ventilación y el suelo o cualquier otra obstrucción.



ADVERTENCIA

PELIGRO DE INCENDIO

El incumplimiento de estas instrucciones puede generar tiempos de secado excesivos y peligros de incendio.

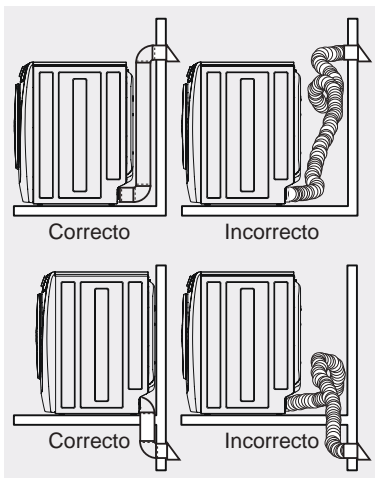
Los siguientes son requisitos específicos para el funcionamiento adecuado y seguro de su secadora.



ADVERTENCIA

PELIGRO DE INCENDIO

- Si no se cumplen de manera exacta las advertencias de seguridad podrían provocarse lesiones graves, la muerte o daños a la propiedad.
- **NO** instale un ventilador elevador en el conducto de escape de la secadora.
- Instale todas las secadoras de ropa de acuerdo con las instrucciones de instalación de este manual.





ADVERTENCIA

PELIGRO DE INCENDIO

- Una secadora de ropa debe tener ventilación al aire libre.
- **NO** ventile la secadora en una chimenea, una pared, un techo, un ático, un entretecho o cualquier espacio oculto de un edificio.
- Una secadora de ropa produce pelusas combustibles. Si la secadora no se ventila al aire libre, algunas pelusas finas se expulsarán al área de lavandería. Una acumulación de pelusas en cualquier área de la casa puede crear un peligro de incendio y para la salud.
- La secadora debe estar conectada a un escape al exterior.
- Inspeccione regularmente la abertura del escape al exterior y elimine cualquier acumulación de pelusa alrededor de la abertura y en el área circundante.



ADVERTENCIA

PELIGRO DE INCENDIO

- **NO** permita que los materiales combustibles (por ejemplo: ropa, cortinas, papel) entren en contacto con el sistema de escape. La secadora **NO DEBE** expeler el aire cualquier respiradero de gas, en una chimenea, pared, cielo raso, ático, espacio ni en ningún espacio oculto de un edificio que pueda acumular pelusa y, por consiguiente, podría producirse un incendio.
- **NO** coloque filtros en los extremos del escape del sistema de ventilación, ni use tornillos, remaches u otros sujetadores que se extiendan en el conducto para montar el sistema de escape. **No permita que un filtro, rejilla o protector de malla de ningún tamaño cubra la abertura del escape. Las pelusas pueden quedar atrapadas en el filtro, la rejilla, el protector o en los tornillos o remaches, obstruyendo así el conducto y creando un peligro de incendio, además de aumentar el tiempo de secado.** Utilice una campana de ventilación aprobada para terminar el conducto en el exterior y selle todas las juntas con cinta de lámina metálica. Todas las conexiones de tubería macho **DEBEN** instalarse aguas abajo con el flujo de aire.



ADVERTENCIA

PELIGRO DE INCENDIO

Nunca exceda más de 4 codos de 90° en el sistema de conductos de escape. Exceder la longitud del ducto o la cantidad de codos permitidos en las tablas de "LONGITUD MÁXIMA" puede causar una acumulación de pelusa en el sistema de escape. Obstruir el sistema podría crear un peligro de incendio, además de aumentar el tiempo de secado.

Máx. Número de giros de 90°	LONGITUD MÁXIMA del conducto de metal rígido de 4" (102 mm)	
	TIPO DE CAMPANA DE VENTILACIÓN	
	(Preferido)	
	4" (10,2 cm)	con persianas
		2,5" (6,35 cm)
0	125 ft (38 m)	110 ft (33,5 m)
1	115 ft (35 m)	100 ft (30,5 m)
2	105 ft (32 m)	90 ft (27,5 m)
3	95 ft (29 m)	80 ft (24,5 m)
4	85 ft (26 m)	70 ft (21,5 m)



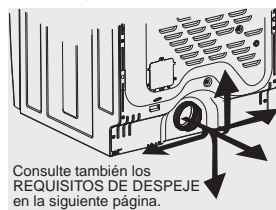
ADVERTENCIA

PELIGRO DE INCENDIO

- **NO** instale plástico flexible ni material de ventilación de lámina flexible.
- Si instala ventilación semirrígida, **NO** exceda los 8 pies (2.4 m) de longitud del conducto.
- **NO** utilice tornillos, remaches u otros sujetadores que se extiendan en el conducto para montar el sistema de escape.

Dirección de escape

El escape direccional se puede lograr instalando un codo de ventilación de giro rápido de 90° directamente en la salida de escape de la secadora. Los codos de ventilación están disponibles a través de su distribuidor de repuestos o ferretería local.



Consulte también los REQUISITOS DE DESPEJE en la siguiente página.

114 REQUISITOS DE PREINSTALACIÓN

NOTA

Se requiere el uso de codo de giro rápido de 90° para cumplir con la profundidad de instalación mínima.



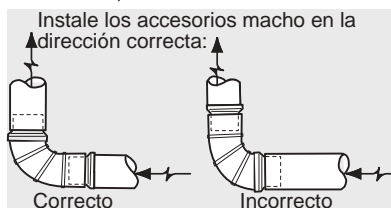
ADVERTENCIA

PELIGRO DE INCENDIO

NO instale la secadora en lugares donde se conserve o almacene gasolina u otros materiales inflamables. Si la secadora se instala en un garaje, debe estar a un mínimo de 18 pulgadas (45,7 cm) por encima del piso. Si no lo hace, puede provocar la muerte, explosión, incendio o quemaduras.

En las instalaciones donde el sistema de escape no se describe en las tablas, se debe utilizar el siguiente método para determinar si el sistema de escape es aceptable:

1. Conecte un manómetro inclinado o digital entre la secadora y el punto en que el escape se conecta a la secadora.
2. Configure el temporizador y la temperatura de la secadora a **air fluff** (enfriar) y encienda la secadora.
3. Lea la medición en el manómetro.
4. La contrapresión del sistema **NO** DEBE ser superior a 1.0 pulgada de columna de agua. Si la contrapresión del sistema es inferior a 1.0 pulgada de columna de agua, el sistema es aceptable. Si la lectura del manómetro es superior a 1.0 pulgada de columna de agua, el sistema es demasiado restrictivo y la instalación es inaceptable.



Aunque la orientación vertical del sistema de escape es aceptable, ciertas circunstancias atenuantes podrían afectar el rendimiento de la secadora:

- Solo se deben utilizar conductos de metal rígido.
1. La ventilación vertical a través de un techo puede exponer el sistema de escape a corrientes descendentes, lo que provoca un aumento en la restricción de ventilación.
 2. Hacer funcionar el sistema de escape a través de un área no aislada puede causar condensación y acumulación más rápida de pelusa.
 3. La compresión o el engarzado del sistema de escape provocarán un aumento en la restricción de ventilación.
 4. **El sistema de escape debe inspeccionarse y limpiarse como mínimo cada 18 meses con el uso normal.** Cuanto más se use la secadora, más a menudo debe revisar el sistema de escape y la campana de ventilación para verificar que funcionen correctamente y estén libre de obstrucciones.

Instalación en casas prefabricadas o móviles

1. La instalación DEBE cumplir con la norma actual de construcción y seguridad de viviendas prefabricadas, Título 24, Parte 32-80 del CFR (anteriormente la norma federal para la construcción y seguridad de viviendas móviles, Título 24, Parte 280 del HUD) o la norma CAN/CSA-Z240 MH.
2. La secadora DEBE descargarse afuera (al aire libre, no debajo de la casa rodante) utilizando conductos de metal que no favorezcan la combustión. Los conductos de metal deben tener un diámetro de 4 pulgadas (10,16 cm) sin obstrucciones. Se prefieren los conductos de metal rígido.
3. Si la secadora se desagota en el piso y el área debajo de la casa rodante está cerrada, el sistema de escape DEBE terminar fuera de la caja con la terminación asegurada a una parte no combustible de la estructura de la casa rodante.
4. Consulte las secciones anteriores de este manual para conocer otros requisitos importantes del sistema de ventilación de escape.
5. Al instalar una secadora de gas en una casa rodante, se debe hacer una provisión para el aire de reposición exterior. Esta disposición no debe ser menos del doble del área de la salida de escape de la secadora.
6. El instalador DEBE anclar esta (1) secadora o esta (2) secadora montada en un pedestal al piso con el kit de instalación de viviendas móviles aprobado - N/P 137067200.

Requisitos de espacio libre



IMPORTANTE

NO INSTALE LA SECADORA:

1. En un área expuesta a agua estancada, goteo de agua o condiciones climáticas externas.
2. En un área donde entrará en contacto con cortinas o cualquier cosa que obstruya el flujo de aire de combustión y ventilación.
3. Sobre la alfombra. El piso DEBE ser sólido con una pendiente máxima de 1 pulgada (2,5 cm).

Instalación en un hueco o armario

1. Una secadora instalada en un hueco o armario DEBE tener ventilación al aire libre.
2. Ningún otro aparato que queme combustible debe instalarse en el mismo hueco o armario que una secadora a gas.
3. La secadora necesita espacio a su alrededor para una ventilación adecuada. Consulte la tabla "Requisitos de espacio libre".
4. Se requiere un mínimo de 120 in² de abertura de ventilación en el hueco o armario para un flujo de aire adecuado para la secadora.
5. La ventilación de entrada de aire al hueco o al armario puede satisfacerse agregando 120 in² de abertura, dividida en partes iguales en la parte superior e inferior de la puerta y ubicada a 3 in de la parte inferior y superior de la puerta.

o agregando 120 in² de aberturas de ventilación a la parte superior, los lados o la pared trasera de la pared del armario, si la pared está adyacente a una habitación abierta, pasillo o exterior.

O, una puerta con persianas con aberturas de aire equivalentes que equivalen a 120 in² de ventilación para toda la longitud de la puerta, que también es aceptable.

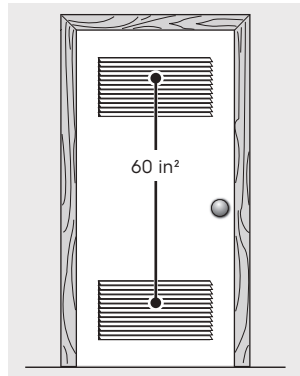
NO está aprobado derivar las 120 in² de ventilación del espacio entre los bordes de la puerta y la carcasa o el piso.

** La presencia de aberturas de ventilación forzada de calefacción y aire acondicionado en el armario NO satisface el requisito de ventilación de 120 in² del armario.

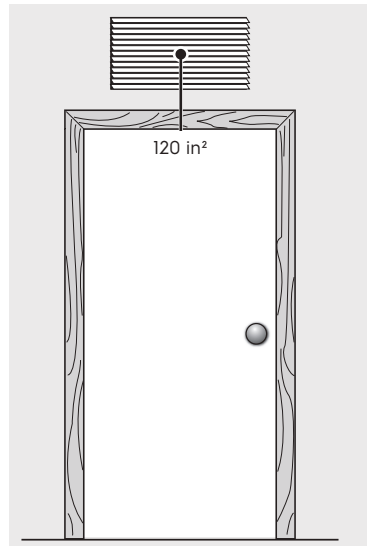
NOTA

Para lograr una instalación con un espacio libre de 0 in (0 cm) en la parte posterior de la secadora (que no sea ventilación posterior recta), se debe instalar un codo de ventilación de 90° como se describe anteriormente en este manual.

Para una ventilación posterior que no sea recta, se debe instalar un codo de ventilación de 90° para lograr una instalación de 0 in (0 cm).



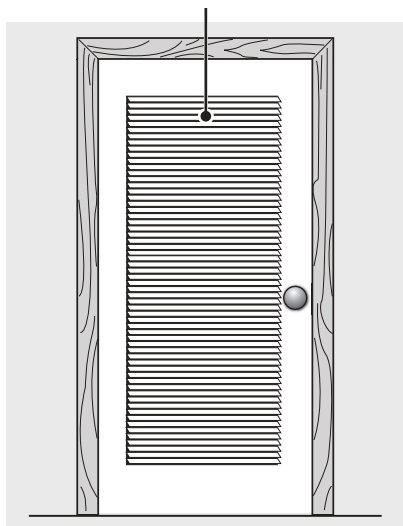
Puerta de ventilación con divisiones iguales de 120 in²



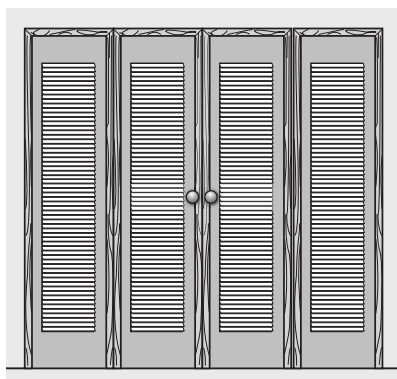
Puerta lisa con ventilación de pared

116 REQUISITOS DE PREINSTALACIÓN

Abertura de ventilación con persianas de 120 in² mín.

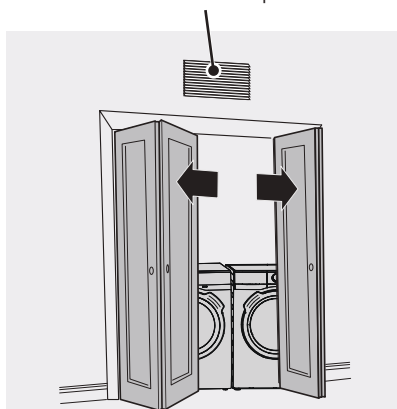


Puerta con persianas



Puertas plegables con persianas con 120 in² de ventilación

120 pulgadas cuadradas de ventilación de pared

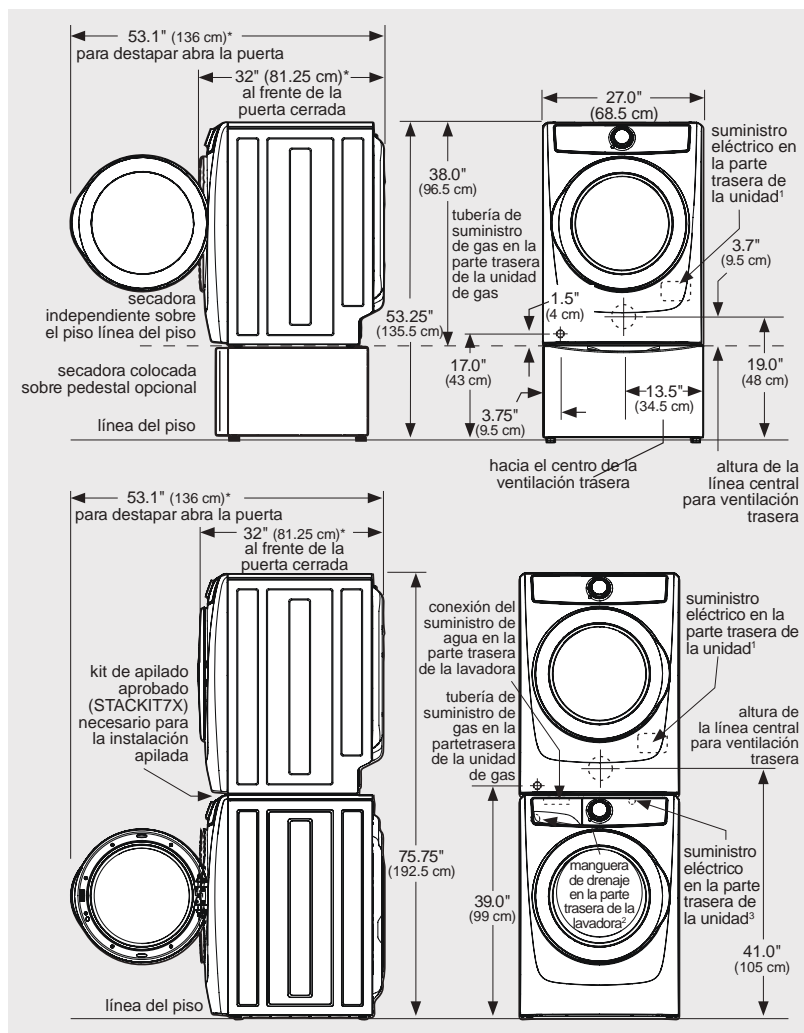


Puertas plegables lisas sin ventilación

ESPACIOS LIBRES DE INSTALACIÓN MÍNIMOS: pulgadas (cm)

	Laterales	Parte posterior	Parte superior	Parte frontal
Nicho/hueco	0" (0 cm)	0" (0 cm)	0" (0 cm)	Abierto
Armario con ventilación en la puerta	0" (0 cm)	0" (0 cm)	0" (0 cm)	1" (2,5 cm)
Armario con ventilación de pared	1" (2,5 cm)	1" (2,5 cm)	1" (2,5 cm)	1" (2,5 cm)

Dimensiones de la secadora



* La conexión de la manguera de entrada de agua en la secadora de vapor agrega 3/4 in (2 cm) a la profundidad de instalación.

¹ La longitud del cable de alimentación en la secadora de gas o secadora eléctrica canadiense es de aproximadamente 60 pulgadas (152,5 cm).

² La longitud de la manguera de drenaje de la lavadora es de aproximadamente 59 pulgadas (150 cm).

³ La longitud del cable de alimentación de la lavadora es de aproximadamente 60 pulgadas (152,5 cm).

Conexión del sistema eléctrico

Los siguientes son requisitos específicos para la instalación eléctrica adecuada y segura de su secadora. El incumplimiento de estas instrucciones puede generar descargas eléctricas o un peligro de incendio.



ADVERTENCIA

PELIGRO DE DESCARGA ELÉCTRICA

- Este aparato **DEBE** estar conectado a tierra correctamente. Si la secadora no está conectada a tierra correctamente, puede producirse una descarga eléctrica. Siga las instrucciones de este manual para una puesta a tierra adecuada.
- **NO** utilice un cable de extensión con esta secadora. Algunos cables de extensión no están diseñados para resistir las cantidades de corriente eléctrica que esta secadora utiliza y pueden derretirse, lo que crea un riesgo de descarga eléctrica o incendio. Ubique la secadora al alcance del receptáculo para la longitud del cable de alimentación que se comprará, a fin de dejar algo de holgura en el cable. Consulte la sección *Requisitos de preinstalación* de este manual para obtener información sobre el cable de alimentación adecuado que se debe adquirir.



ADVERTENCIA

PELIGRO DE DESCARGA ELÉCTRICA

- Se debe instalar un dispositivo de alivio de tensión aprobado por U.L. en el cable de alimentación. Si el dispositivo de alivio de tensión no está conectado, el cable puede salirse de la secadora y se puede caer por cualquier movimiento del cable, lo que provocaría una descarga eléctrica.
- **NO** utilice un receptáculo para cableado de aluminio con un cable de alimentación y enchufe de cobre (o viceversa). Se produce una reacción química entre el cobre y el aluminio y puede causar cortocircuitos eléctricos. El cableado y el receptáculo adecuados son cables de alimentación de cobre con un receptáculo para cableado de cobre.



NOTA

Las secadoras que funcionan con una fuente de alimentación de 208 voltios tendrán tiempos de secado más prolongados que las secadoras que funcionan con una fuente de alimentación de 240 voltios.

La secadora, cuando se instala, debe estar conectada a tierra de forma eléctrica de acuerdo con los códigos locales y el Código Eléctrico Nacional ANSI/NFPA 70 o el Código Eléctrico, Parte 1, CSA C22.1 de Canadá.

Requisitos de conexión a tierra: secadora eléctrica (EE. UU.)



ADVERTENCIA

Una conexión a tierra incorrecta de la secadora puede causar lesiones graves o la muerte. Consulte con un electricista autorizado si tiene dudas sobre si el electrodoméstico está correctamente conectado a tierra.

Para una secadora conectada a tierra y con cable:

1. La secadora **DEBE** estar conectada a tierra. En caso de falla o avería, la conexión a tierra reducirá el riesgo de descarga eléctrica al proporcionar una ruta de menor resistencia para la corriente eléctrica.
2. Después de comprar e instalar un cable de alimentación de 3 o 4 hilos que tenga un conductor de conexión a tierra del equipo y un enchufe de conexión a tierra que coincida con su sistema de cableado, el enchufe **DEBE** conectarse a un receptáculo con cable de cobre apropiado que esté correctamente instalado y conectado a tierra de acuerdo con todos los códigos y ordenanzas locales. Si tiene dudas, llame a un electricista con licencia.
3. **NO** modifique el enchufe que instaló en este electrodoméstico. Si no entra en el tomacorriente, haga que un electricista calificado instale un tomacorriente adecuado.

Para una secadora conectada permanentemente:

Esta secadora DEBE conectarse a un sistema de cableado permanente de metal con conexión a tierra; o se debe colocar un conductor de conexión a tierra con los conductores del circuito y se debe conectar a la terminal de conexión a tierra del equipo o al plomo de este electrodoméstico.

Requisitos de conexión a tierra: secadora eléctrica (Canadá)



ADVERTENCIA

Una conexión a tierra incorrecta de la secadora puede causar lesiones graves o la muerte. Consulte con un electricista autorizado si tiene dudas sobre si el electrodoméstico está correctamente conectado a tierra.

Para una secadora conectada a tierra y con cable:

1. La secadora DEBE estar conectada a tierra. En caso de falla o avería, la conexión a tierra reducirá el riesgo de descarga eléctrica al proporcionar una ruta de menor resistencia para la corriente eléctrica.
2. Dado que su secadora está equipada con un cable de alimentación que tiene un conductor de conexión a tierra del equipo y un enchufe de conexión a tierra, el enchufe debe conectarse a un tomacorriente adecuado que esté correctamente instalado y conectado a tierra de acuerdo con todos los códigos y ordenanzas locales. Si tiene dudas, llame a un electricista con licencia.
3. **NO** modifique el enchufe que se proporciona con este electrodoméstico. Si no entra en el tomacorriente, haga que un electricista calificado instale un tomacorriente adecuado.

Requisitos de conexión a tierra: secadora de gas

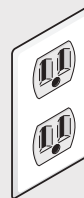
1. La secadora está equipada con un enchufe de tres clavijas (conexión a tierra) para su protección contra el peligro de descarga eléctrica y debe enchufarse directamente en un receptáculo de tres clavijas correctamente conectado a tierra.
2. El enchufe debe conectarse a un tomacorriente adecuado que esté correctamente instalado y conectado a tierra de acuerdo con todos los códigos y ordenanzas locales. Si tiene dudas, llame a un electricista con licencia.
3. **NO** modifique el enchufe que se proporciona con este electrodoméstico. Si no entra en el tomacorriente, haga que un electricista calificado instale un tomacorriente adecuado.



ADVERTENCIA

Una conexión a tierra incorrecta de la secadora puede causar lesiones graves o la muerte. Consulte con un electricista autorizado si tiene dudas sobre si el electrodoméstico está correctamente conectado a tierra.

Tomacorriente de pared con conexión a tierra



Bajo ninguna circunstancia corte, extraiga o desvíe las patas de conexión a tierra.



Cable de alimentación con enchufe de tres patas con conexión a tierra

Conexión eléctrica (fuera de Canadá): cable de 3 hilos



Receptáculo de 3 cables
(tipo NEMA 10-30R)



ADVERTENCIA

PELIGRO DE DESCARGA ELÉCTRICA

Si no se desconecta la fuente de alimentación antes de realizar el mantenimiento, se podrían producir lesiones personales o incluso la muerte.



ADVERTENCIA

PELIGRO ELÉCTRICO

Cuando realice el servicio de los controles, etiquete todos los cables antes de desconectarlos. Los errores de cableado pueden causar una operación inadecuada y peligrosa. Verifique la operación correcta después de haber realizado el servicio.

1. Apague la fuente de alimentación del tomacorriente.
2. Retire el tornillo que asegura la cubierta de acceso del bloque de terminales en la esquina inferior de la parte posterior de la secadora.
3. Instale un alivio de tensión aprobado por UL de acuerdo con las instrucciones del fabricante del cable de alimentación/alivio de tensión en el orificio de entrada del cable de alimentación debajo del panel de acceso. En este momento, el alivio de tensión debe estar en su lugar holgadamente.
4. Enrosque un cable de alimentación de 30 amperios SIN ENCHUFAR, aprobado por UL, tipo SRDT NEMA 10-30, a través del alivio de tensión.
5. Conecte el conductor neutro del cable de alimentación (cable central) al terminal central de color PLATEADO en el bloque de terminales. Ajuste firmemente el tornillo.
6. Conecte los dos conductores exteriores del cable de alimentación restantes a los terminales exteriores de color LATÓN en el bloque de terminales. Ajuste firmemente ambos tornillos.



ADVERTENCIA

PELIGRO DE DESCARGA ELÉCTRICA

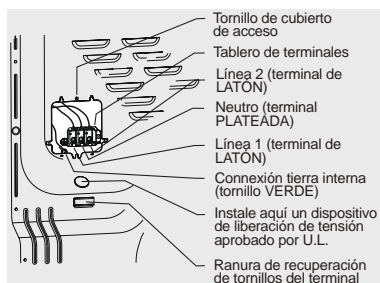
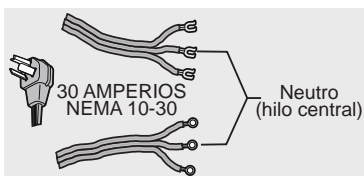
NO realice una curva pronunciada ni engrape el cableado/conductor en las conexiones.

7. Siga las pautas del fabricante para asegurar firmemente el alivio de tensión y el cable de alimentación.
8. Vuelva a instalar la cubierta del bloque de terminales.



IMPORTANTE

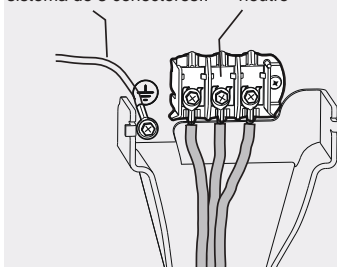
Si traslada la secadora de un sistema de 4 cables y la instala en un sistema de 3 cables, mueva la conexión a tierra interna del terminal central de vuelta al tornillo VERDE junto al bloque de terminales.



NOTA

Si un tornillo de terminal se cae durante la instalación del cable, se puede recuperar en la ranura de recuperación de tornillos de terminal debajo del panel de acceso.

¡NO quite la conexión a tierra interna en un sistema de 3 conectores!!



Conexión eléctrica (fuera de Canadá): cable de 4 hilos



Receptáculo de 4 cables
(tipo NEMA 14-30R)



ADVERTENCIA

PELIGRO DE DESCARGA ELÉCTRICA

Si no se desconecta la fuente de alimentación antes de realizar el mantenimiento, se podrían producir lesiones personales o incluso la muerte.



ADVERTENCIA

PELIGRO ELÉCTRICO

Cuando realice el servicio de los controles, etiquete todos los cables antes de desconectarlos. Los errores de cableado pueden causar una operación inadecuada y peligrosa. Verifique la operación correcta después de haber realizado el servicio.

1. Apague la fuente de alimentación del tomacorriente.
2. Retire el tornillo que asegura la cubierta de acceso del bloque de terminales en la esquina inferior de la parte posterior de la secadora.
3. Instale un alivio de tensión aprobado por UL de acuerdo con las instrucciones del fabricante del cable de alimentación/alivio de tensión en el orificio de entrada del cable de alimentación debajo del panel de acceso. En este momento, el alivio de tensión debe estar en su lugar holgadamente.
4. Enrosque un cable de alimentación de 30 amperios SIN ENCHUFAR, aprobado por UL, tipo DRT o SRDT NEMA 14-30, a través del alivio de tensión.
5. Desconecte el cable de conexión a tierra del arnés interno de la secadora (BLANCO) del tornillo de conexión a tierra (VERDE) al lado del bloque de terminales.
6. Conecte el cable de alimentación de tierra (VERDE) al gabinete con el tornillo de tierra (VERDE). Ajuste firmemente el tornillo.
7. Mueva el cable de conexión de tierra (BLANCO) del arnés interno de la secadora al bloque de terminales y conéctelo junto con el conductor del cable de alimentación neutro (BLANCO) al terminal central de color PLATEADO del bloque de terminales. Ajuste firmemente el tornillo.

8. Conecte los conductores ROJO y NEGRO del cable de alimentación a los terminales exteriores de color LATÓN en el bloque de terminales. Ajuste firmemente ambos tornillos.

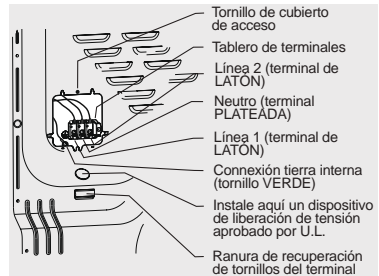
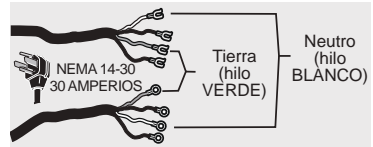


ADVERTENCIA

PELIGRO DE DESCARGA ELÉCTRICA

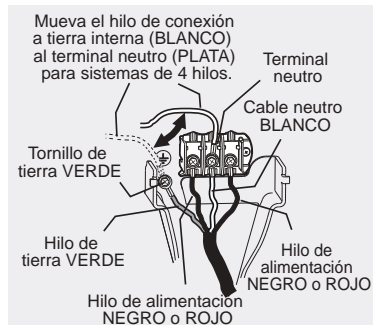
NO realice una curva pronunciada ni engrape el cableado/conductor en las conexiones.

9. Siga las pautas del fabricante para asegurar firmemente el alivio de tensión y el cable de alimentación.
10. Vuelva a instalar la cubierta del bloque de terminales.



NOTA

Si un tornillo de terminal se cae durante la instalación del cable, se puede recuperar en la ranura de recuperación de tornillos de terminal debajo del panel de acceso.



Conexión del gas



IMPORTANTE

Esta secadora de gas viene de fábrica con los componentes del quemador de gas natural instalados. NO opere esta secadora de gas usando gas LP (propano líquido), a menos que el equipo de conversión de gas LP haya sido instalado correctamente por personal de servicio calificado. La instalación incorrecta de gas o la instalación del kit de conversión de LP podría provocar lesiones o incluso la muerte.

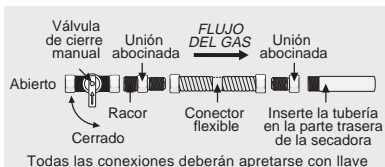
1. Retire la tapa de envío de la tubería de gas en la parte posterior de la secadora.



ADVERTENCIA

NO conecte la secadora al servicio de gas L.P. sin convertir la válvula de gas. **Un técnico de gas calificado debe instalar un kit de conversión de L.P** Número de pieza: PCK4200 (no incluido).

2. Conecte una tubería semirrígida o aprobada de 1/2 pulgada (1,27 cm) de diámetro interno desde la línea de suministro de gas a la tubería de 3/8 pulgada (0,96 cm) ubicada en la parte posterior de la secadora. Utilice un reductor de 1/2 pulgada a 3/8 pulgada (1,27 cm) a 0,96 cm) para la conexión. Aplique en todas las conexiones de tuberías un sellador de roscas aprobado que sea resistente a la acción corrosiva de los gases licuados.

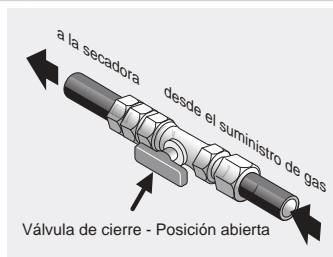


3. Abra la válvula de cierre en la línea de suministro de gas para permitir que el gas fluya a través de la tubería. Espere unos minutos para que el gas se mueva a través de la línea de gas.



IMPORTANTE

La línea de suministro debe estar equipada con una válvula de cierre manual aprobada. Esta válvula debe estar ubicada en la misma habitación que la secadora y debe estar en un lugar que permita abrirla y cerrarla fácilmente. **NO** bloquee el acceso a la válvula de cierre de gas.



4. Con un manómetro, verifique si hay fugas en el sistema de gas. Si no hay un manómetro disponible, pruebe todas las conexiones cepillando con una solución de agua jabonosa.



ADVERTENCIA

PELIGRO DE EXPLOSIÓN

NUNCA pruebe si hay fugas de gas con una llama abierta.



IMPORTANTE

La instalación en el servicio de gas debe seguir los códigos y ordenanzas locales y la última edición del Código Nacional de Gas Combustible ANSI Z223.1/NFPA 54 o en Canadá, CSA B149.1.

Conexión del agua

(solo para modelos a vapor)



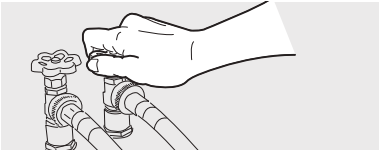
ADVERTENCIA

Inspeccione periódicamente todas las mangueras de entrada de agua en busca de fugas de agua, desgaste, cortes, corrosión y protuberancias. Reemplace todas las mangueras, si hay algún signo visible de lo anterior. Todas las mangueras deben reemplazarse cada 5 años para reducir el riesgo de fallas en las mangueras.

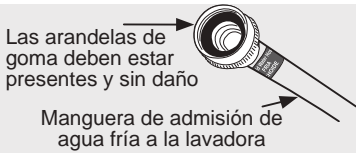
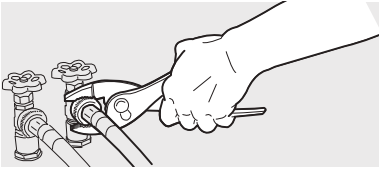
Requisitos de suministro de agua

El grifo de agua fría DEBE instalarse a una distancia de 42 pulgadas (107 cm) de la entrada de agua de la secadora. El grifo DEBE medir 3/4 de pulgada (1,9 cm) con rosca para la conexión de la manguera de lavandería. La presión del agua DEBE estar entre 20 y 120 psi. Su departamento de agua puede asesorarlo sobre la presión del agua.

1. Cierre el suministro de agua FRÍA a la lavadora.



2. Retire la manguera de entrada FRÍA del suministro de agua FRÍA e inspeccione la arandela de caucho. Cambie la arandela si está rota o desgastada.

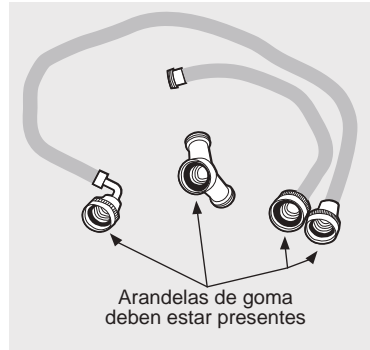


3. Abra el suministro de agua FRÍA y deje correr el agua para limpiar cualquier contaminante en la línea.



4. Inspeccione los acoplamientos de las mangueras para verificar la colocación correcta de las arandelas de caucho. Utilice las mangueras del

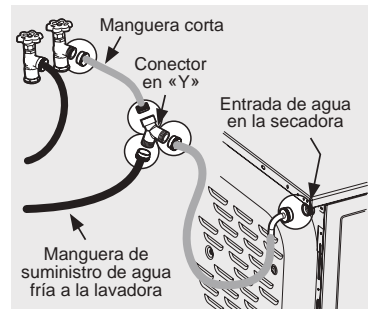
KIT DE MANGUERA DE MONTAJE N.º 5304495002 (no incluido).



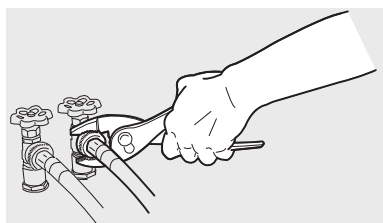
5. Si su instalación tiene espacio para que el suministro de agua FRÍA acepte el conector en "Y" directamente, enrosque el conector en "Y" al suministro de agua FRÍA y ajústelo a mano; luego apriételo otros 2/3 de vuelta con unos alicates.

NOTA

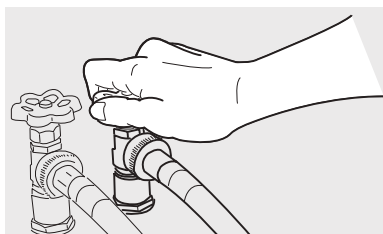
Si pudo instalar el conector "Y" directamente al suministro de agua FRÍA, vaya al paso 8.



6. Si no hay espacio para instalar el conector en "Y" directamente, enrosque la manguera de extensión corta al suministro de agua FRÍA y ajústela manualmente; luego apriétela otros 2/3 con unos alicates.

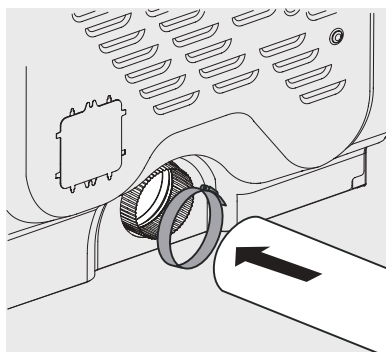


7. Enrosque el conector en "Y" a la manguera de extensión corta y ajústelo a mano; luego apriételo otros 2/3 de vuelta con unos alicates.
8. Conecte la manguera de entrada FRÍA de la lavadora al conector "Y" y ajústela manualmente; luego apriétela otros 2/3 de vuelta con unos alicates.
9. Conecte el extremo recto de la manguera larga del kit a la otra salida del conector en "Y" y ajústelo a mano. Conecte el acople de 90° de la manguera a la entrada de agua de latón en la parte posterior de la secadora y ajústelo a mano. Ajuste cada conexión de la manguera de entrada de la secadora otros 2/3 de vuelta con unos alicates.
10. Abra el agua y verifique que no haya fugas en todas las conexiones.

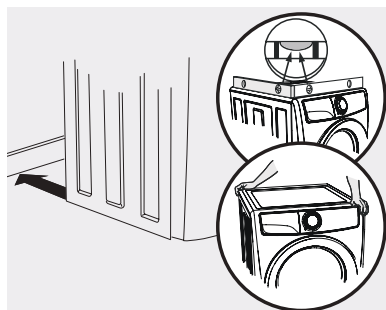


Finalizar la instalación

11. Conecte el conducto de escape al sistema de escape al exterior. Se recomienda usar una abrazadera de 4" (102 mm) (elemento A) para conectar la secadora al sistema de ventilación de escape. Use cinta de lámina metálica para sellar todas las demás juntas.



12. Use un nivel de carpintero para nivelar la secadora de adelante hacia atrás y de forma lateral.
13. Utilice alicates ajustables para ajustar las patas niveladoras de modo que la secadora quede nivelada de adelante hacia atrás y de forma lateral, y estable de esquina a esquina.



14. Presione hacia abajo las esquinas y los lados alternos y sienta el menor movimiento. Ajuste las patas apropiadas para que la secadora se asiente firmemente en el piso en TODAS las cuatro patas. Mantenga la extensión de la pata de nivelación al mínimo para un mejor rendimiento de la secadora.



IMPORTANTE

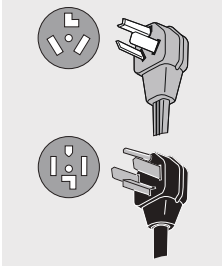
Asegúrese de que la alimentación esté apagada en un disyuntor/caja de fusibles antes de enchufar el cable de alimentación en un tomacorriente.

15. Conecte el cable de alimentación a un tomacorriente con conexión a tierra.



ADVERTENCIA

Una conexión a tierra incorrecta de la secadora puede causar lesiones graves o la muerte. Consulte con un electricista autorizado si tiene dudas sobre si el electrodoméstico está correctamente conectado a tierra.



NOTA

Hay un diagrama de cableado y una hoja de datos técnicos debajo del panel superior de la secadora.



PRECAUCIÓN

Al desechar o almacenar su secadora vieja, retire la puerta.



ADVERTENCIA

No almacene materiales combustibles, gasolina y otros vapores y líquidos inflamables cerca de esta secadora.

16. Encienda la energía en el disyuntor/ caja de fusibles.
17. Lea el Manual de uso y cuidado que se proporciona con la secadora. Contiene información valiosa y útil que le ahorrará tiempo y dinero.
18. Si tiene alguna pregunta durante la operación inicial, revise la "Lista de verificación para evitar el servicio" en su Manual de uso y cuidado antes de llamar para solicitar servicio.
19. Coloque estas instrucciones en un lugar cerca de la secadora para referencia futura.

Para invertir la dirección de las puertas

NOTA

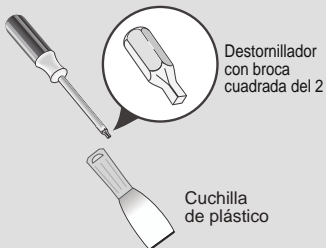
La capacidad de invertir la dirección de las puertas está disponible en todos los modelos de secadoras.

IMPORTANTE

ANTES DE INVERTIR LA DIRECCIÓN DE LA PUERTA DE LA SECADORA:

1. Asegúrese de tener un área de giro adecuada antes de invertir la dirección de la puerta.
2. Reúna sus herramientas, incluido un destornillador de punta cuadrada n.º 2 y un cuchillo de plástico (o una herramienta de palanca pequeña y plana que no dañe la pintura).
3. ¡Asegúrese de que la secadora esté desenchufada de la fuente de alimentación!

Herramientas necesarias para invertir la dirección:



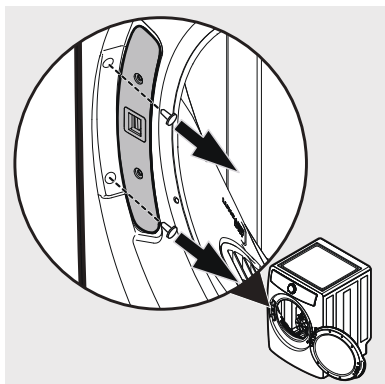
ADVERTENCIA

PELIGRO DE DESCARGA ELÉCTRICA

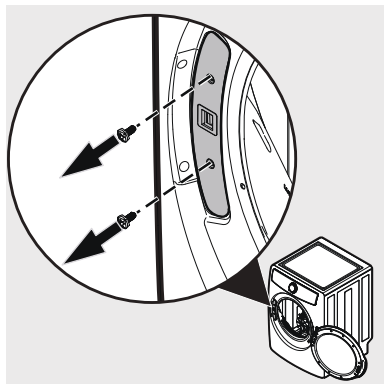
Si no se desconecta la fuente de alimentación antes de realizar el mantenimiento, se podrían producir lesiones personales o incluso la muerte.

Extracción de los tapones del pestillo y del orificio

1. Abra la puerta.
2. Quite los tapones plásticos de los orificios y guárdelos para volver a instalarlos más tarde. Es posible que deba usar un cuchillo de plástico que no raye si no puede desmontar los tapones manualmente.

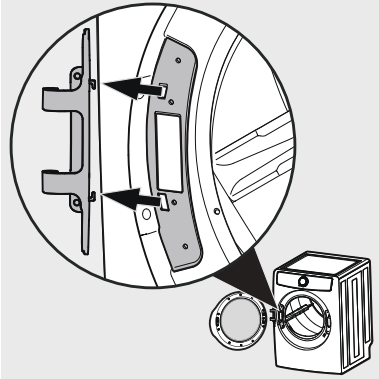


3. Retire ambos tornillos del pestillo de la puerta. Guarde el pestillo y los tornillos para volver a instalarlos más tarde.



Extracción del montaje de la puerta

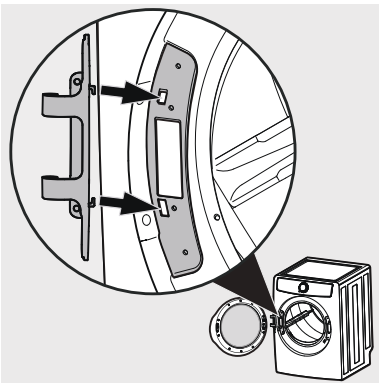
1. Abra completamente la puerta para exponer los cuatro tornillos de la bisagra.
2. Retire los cuatro tornillos de bisagra con el destornillador de punta cuadrada n.º 2. Guárdelos para volver a instalarlos más tarde.



3. Tome la puerta con ambas manos y levántela ligeramente a medida que aleja la puerta y la bisagra del panel frontal.

Volver a instalar el montaje de la puerta

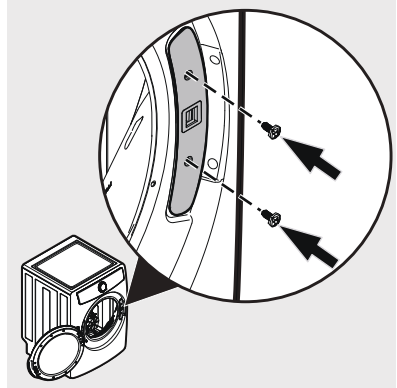
1. Gire la puerta y cuelgue el gancho superior en la parte posterior de la bisagra en el orificio superior del panel frontal.



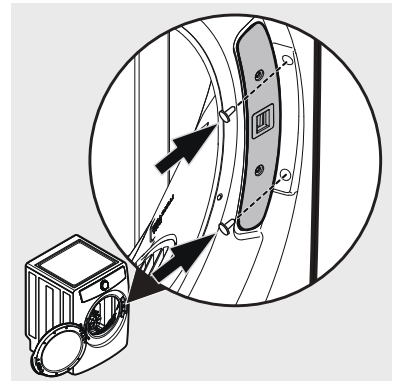
2. Vuelva a instalar y apriete los cuatro tornillos retirados anteriormente: los dos tornillos delanteros primero y luego los dos tornillos laterales.

Volver a instalar los tapones del pestillo y del orificio

1. Instale el pestillo de la puerta con los tornillos retirados anteriormente.



2. Inserte los tapones de orificios de plástico retirados anteriormente.



Verificar la operación en dirección invertida de la puerta

1. Compruebe que la puerta oscile de forma suave y sin problemas, y asegure el pestillo cuando esté cerrada.
2. Enchufe la secadora y cierre la puerta. Iniciar un ciclo de prueba: el tambor debe girar hasta que la puerta se abra o el ciclo se detenga o se cancele.

Ver los accesorios

PEDESTAL DE ALMACENAJE DE ACCESORIOS*

Pedestal blanco - P/N EPWD257UIW
Pedestal de titanio- P/N EPWD257UTT
Se puede usar un accesorio de la base de almacenaje, especialmente diseñado para esta secadora, para elevarla con comodidad. Este pedestal aumentará sobre 15" (38 cm) a la altura de su unidad.

*Puede haber otros colores disponibles. Contacte con el establecimiento donde adquirió su centro de lavado.

KIT DE APILADO DE SECADO P/N STACKIT7X

Dependiendo del modelo que adquirió, puede haberse incluido en su compra inicial un kit para apilar los accesorios de la secadora en la parte superior de esta lavadora. Si no se incluye o desea otro, puede solicitar uno.

KIT CONVERSIÓN LP P/N PCK4200

Las secadoras de gas previstas para utilizar en una ubicación con suministro de LP deberán utilizar un kit de conversión antes de la instalación.

KIT DE INSTALACIÓN EN VIVIENDAS MÓVILES P/N 137067200

La instalación en una vivienda móvil precisa el uso de un KIT DE INSTALACIÓN EN VIVIENDAS MÓVILES.

LLAVE UNIVERSAL PARA ELECTRODOMÉSTICO P/N 137019200

Está a la venta una LLAVE UNIVERSAL PARA ELECTRODOMÉSTICOS para facilitarle el ajuste de las patas de la lavadora/secadora.

ROTULADORES DE RETOQUE

Blanco - P/N 5304468812
Titanio - P/N 5304475700

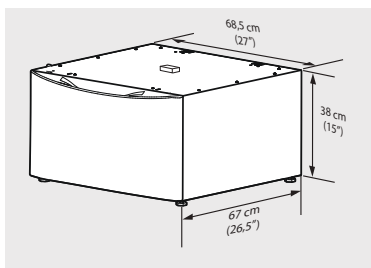
*Puede haber otros colores disponibles. Contacte con el establecimiento donde adquirió su centro de lavado.

JUEGO DE MONTAJE DE MANGUERAS P/N 5304495002

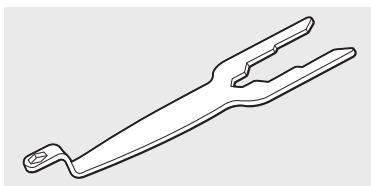


ADVERTENCIA

Si no utiliza accesorios fabricados o autorizados por el fabricante, pueden producirse lesiones personales y daños en la propiedad o en la lavadora.



Pedestal de almacenamiento

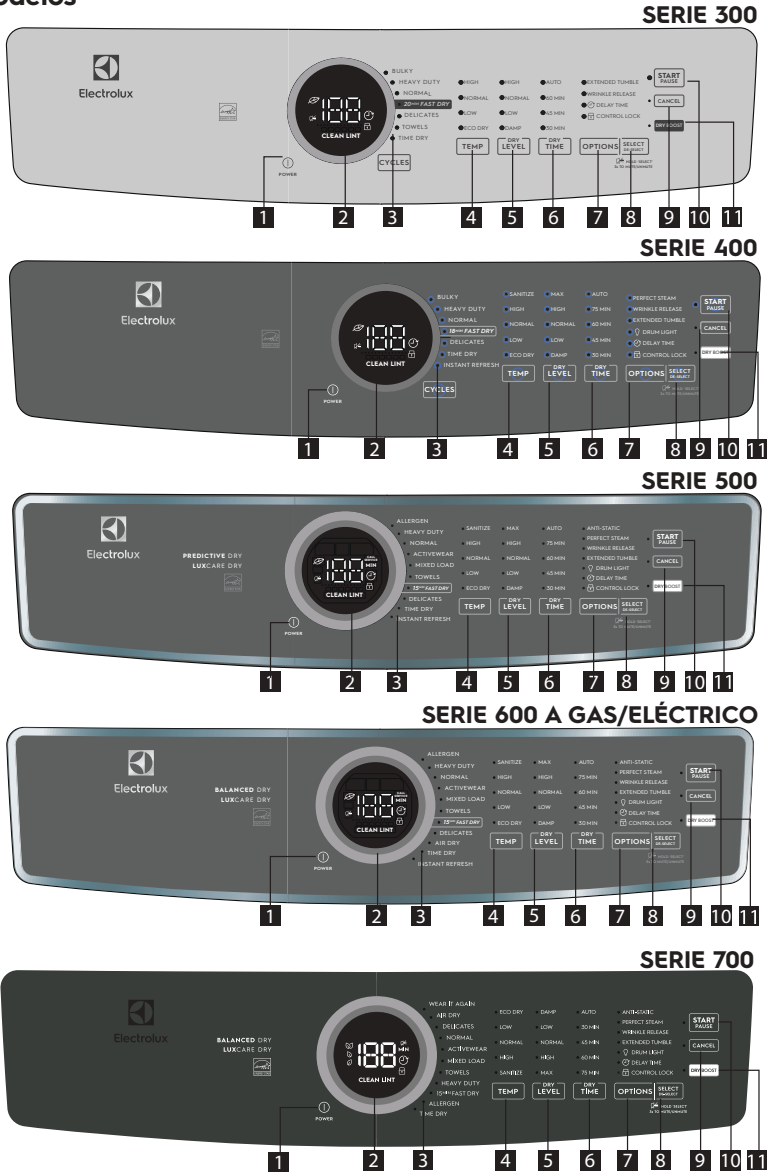


Llave universal para electrodomésticos

Piezas de recambio en EE. UU. y Canadá

En caso de necesitar piezas de repuesto para su secadora, puede contactar con el establecimiento donde la adquirió, llamar a 1-877-4ELECTROLUX (1-877-435-3287) en EE.UU. o 1-800-265-8352 en Canadá, o visitar nuestra página web, www.electrolux.com en EE.UU. o www.electrolux.ca en Canadá para encontrar el distribuidor de piezas de Electrolux más cercano.

Serie de modelos



- | | | |
|--|---|--------------------------------------|
| 1 POWER (Encendido) | 2 Cycle Selector (Selector de ciclo) | 3 Pantalla LED de ciclo |
| 4 Temp Selector (Selector de temperatura) | 5 DRY LEVEL (Nivel de secado) | 6 DRY TIME (Tiempo de secado) |
| 7 Options (Opciones) | 8 SELECT/DE-SELECT (Seleccionar/Deseleccionar) | 9 CANCELAR |
| 10 START/PAUSE (Inicio/Pausa) | 11 DRY BOOST (Turboseccado) | |

Este manual cubre muchos modelos y no todos los ciclos, opciones o características que se enumeran están disponibles en todos los modelos. Las consolas que se muestran arriba son solo de referencia. Su modelo puede diferir.

130 CONTROLES Y AJUSTES

Tabla de configuración: secadora serie 300



Estos niveles de temperatura, sequedad y opciones están disponibles con los siguientes ciclos:

SELECCIONES DE CICLO

	BULKY (Voluminoso)	HEAVY DUTY (Intensivo)	NORMAL	20 MIN FAST DRY (Secado rápido de 20 minutos)	DELICATES (Delicados)	TOWELS (Toallas)	TIME DRY (Secado programado)
--	--------------------	------------------------	--------	---	-----------------------	------------------	------------------------------

TEMPERATURE (Temperatura)

High (Alto)	✓	✓		✓		✓	✓
Normal		✓	✓			✓	✓
Low (Bajo)			✓		✓	✓	✓
Eco Dry (Secado Ecológico)							✓

DRYNESS (Sequedad)

High (Alto)	✓	✓	✓			✓	
Normal		✓	✓		✓	✓	
Low (Bajo)			✓		✓		
Damp (Humedad)			✓		✓		

DRY TIME (Tiempo de secado)

Auto Dry (Secado Automático)	✓	✓	✓		✓	✓	
60 Minutos							✓
45 Minutos							✓
30 Minutos							✓

OPTIONS (Opciones)

Extended Tumble (Centrifugado Prolongado)	✓	✓	✓		✓	✓	✓
Wrinkle Release (Eliminación De Arrugas)	✓	✓	✓		✓	✓	✓
Delay Time (Tiempo De Retraso)	✓	✓	✓	✓	✓	✓	✓
Control Lock (Bloqueo De Control)	✓	✓	✓	✓	✓	✓	✓
Dry Boost (Refuerzo Seco)	✓	✓	✓	✓	✓	✓	✓

✓ = Selecciones disponibles. ◻ = Valores predeterminados de fábrica. ◼ = Valores predeterminados no modificables.

Tabla de configuración: secadora serie 400



Estos niveles de temperatura, sequedad y opciones están disponibles con los siguientes ciclos:

SELECCIONES DE CICLO

BULKY (Voluminoso)	HEAVY DUTY (Intensivo)	NORMAL	18 MIN FAST DRY (Secado rápido de 18 minutos)	DELICATES (Delicados)	TIME DRY (Secado programado)	INSTANT REFRESH (Fresco instantáneo)
--------------------	------------------------	--------	---	-----------------------	------------------------------	--------------------------------------

TEMPERATURE (Temperatura)

Sanitize (Desinfectar)	✓	✓			✓	
High (Alto)	✓	✓	✓		✓	✓
Normal		✓	✓		✓	
Low (Bajo)			✓	✓	✓	
Eco Dry (Secado Ecológico)					✓	

DRYNESS (Sequedad)

Max (Máximo)	✓	✓	✓			
High (Alto)		✓	✓			
Normal		✓	✓	✓		
Low (Bajo)			✓	✓		
Damp (Humedad)			✓	✓		

DRY TIME (Tiempo de secado)

Auto Dry (Secado Automático)	✓	✓	✓	✓		
75 Minutos					✓	
60 Minutos					✓	
45 Minutos					✓	
30 Minutos					✓	

OPTIONS (Opciones)

Perfect Steam (Vapor Perfecto)			✓		✓	✓
Wrinkle Release (Eliminación De Arrugas)	✓	✓	✓		✓	✓
Extended Tumble (Centrifugado Prolongado)	✓	✓	✓		✓	
Drum Light (Luz Del Tambor)	✓	✓	✓	✓	✓	✓
Delay Time (Tiempo De Retraso)	✓	✓	✓	✓	✓	✓
Control Lock (Bloqueo De Control)	✓	✓	✓	✓	✓	✓
Dry Boost (Refuerzo Seco)	✓	✓	✓	✓	✓	

✓ = Selecciones disponibles. ◻ = Valores predeterminados de fábrica. ◼ = Valores predeterminados no modificables.

CONFIGURACIÓN DEL CICLO

OPCIONES DEL CICLO

132 CONTROLES Y AJUSTES

Tabla de configuración: secadora serie 500



Estos niveles de temperatura, sequedad y opciones están disponibles con los siguientes ciclos:

SELECCIONES DE CICLO

ALLERGEN (Alérgeno)	HEAVY DUTY (Intensivo)	NORMAL	ACTIVWEAR (Ropa deportiva)	MIXED LOADS (COLORES) (Cargas mixtas (colores))	TOWELS (Toallas)	15 MIN FAST DRY (Secado rápido de 15 minutos)	DELICATES (Delicados)	TIME DRY (Secado programado)	INSTANT REFRESH (Fresco instantáneo)
---------------------	------------------------	--------	----------------------------	---	------------------	---	-----------------------	------------------------------	--------------------------------------

TEMPERATURE (Temperatura)

Sanitize (Desinfectar)	✓	✓			✓			✓	
High (Alto)	✓	✓		✓	✓	✓		✓	✓
Normal		✓	✓	✓	✓			✓	
Low (Bajo)			✓	✓	✓		✓	✓	
Eco Dry (No Heat/Air) (Secado Ecológico (Sin Calor/Aire))							✓	✓	

DRYNESS (Sequedad)

Max (Máximo)	✓	✓	✓		✓				
High (Alto)		✓	✓	✓	✓				
Normal		✓	✓	✓	✓		✓		
Low (Bajo)			✓	✓	✓		✓		
Damp (Humedad)			✓		✓		✓		

DRY TIME (Tiempo de secado)

Auto Dry (Secado Automático)	✓	✓	✓	✓	✓		✓		
75 Minutos								✓	
60 Minutos								✓	
45 Minutos								✓	
30 Minutos								✓	

OPTIONS (Opciones)

Anti-Static (Antiestático)		✓	✓	✓	✓	✓	✓		
Perfect Steam (Vapor Perfecto)			✓	✓	✓	✓	✓		✓
Wrinkle Release (Eliminación De Arrugas)	✓	✓	✓	✓	✓	✓	✓	✓	
Extended Tumble (Centrifugado Prolongado)	✓	✓	✓	✓	✓	✓	✓	✓	
Drum Light (Luz Del Tambor)	✓	✓	✓	✓	✓	✓	✓	✓	✓
Delay Time (Tiempo De Retraso)	✓	✓	✓	✓	✓	✓	✓	✓	✓
Control Lock (Bloqueo De Control)	✓	✓	✓	✓	✓	✓	✓	✓	✓
Dry Boost (Refuerzo Seco)									

✓ = Selecciones disponibles. ◻ = Valores predeterminados de fábrica. ◼ = Valores predeterminados no modificables.

Tabla de configuración: secadora serie 600



Estos niveles de temperatura, sequedad y opciones están disponibles con los siguientes ciclos:

SELECCIONES DE CICLO

ALLERGEN (Alérgeno)	HEAVY DUTY (Intensivo)	NORMAL	ACTIVWEAR (Ropa deportiva)	MIXED LOADS (COLORES) (Cargas mixtas (colores))	TOWELS (Toallitas)	15 MIN FAST DRY (Secado rápido de 15 minutos)	DELICATES (Delicados)	AIR DRY (Secado al aire)	TIME DRY (Secado programado)	INSTANT REFRESH (Fresco instantáneo)
---------------------	------------------------	--------	----------------------------	---	--------------------	---	-----------------------	--------------------------	------------------------------	--------------------------------------

TEMPERATURE (Temperatura)

Sanitize (Desinfectar)	✓	✓				✓				✓
High (Alto)	✓	✓		✓	✓	✓			✓	✓
Normal		✓		✓	✓				✓	
Low (Bajo)			✓	✓	✓		✓		✓	
Eco Dry (No Heat/Air) (Secado Ecológico (Sin Calor/Aire))								✓	✓	

DRYNESS (Sequedad)

Max (Máximo)	✓	✓	✓			✓				
High (Alto)		✓	✓	✓	✓	✓				
Normal		✓	✓	✓	✓		✓			
Low (Bajo)			✓	✓	✓		✓			
Damp (Humedad)			✓		✓		✓	✓		

Dry Time (Tiempo de secado)

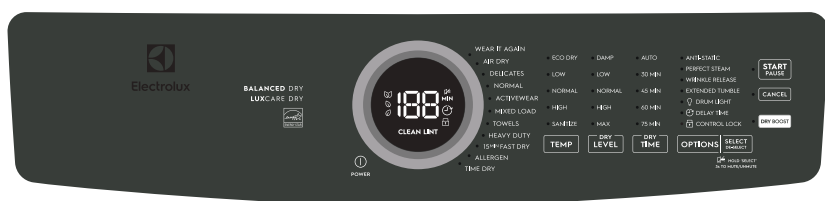
Auto Dry (Secado Automático)	✓	✓	✓	✓	✓		✓	✓		
75 Minutos										✓
60 Minutos									✓	
45 Minutos									✓	
30 Minutos									✓	

OPTIONS (Opciones)

Anti-Static (Antiestático)		✓	✓	✓	✓	✓		✓		
Perfect Steam (Vapor Perfecto)			✓	✓	✓	✓		✓		✓
Wrinkle Release (Eliminación De Arrugas)	✓	✓	✓	✓	✓	✓		✓	✓	
Extended Tumble (Centrifugado Prolongado)	✓	✓	✓	✓	✓	✓		✓	✓	
Drum Light (Luz Del Tambor)	✓	✓	✓	✓	✓	✓		✓	✓	✓
Delay Time (Tiempo De Retraso)	✓	✓	✓	✓	✓	✓	✓	✓	✓	✓
Control Lock (Bloqueo De Control)	✓	✓	✓	✓	✓	✓	✓	✓	✓	✓
Dry Boost (Refuerzo Seco)										

✓ = Selecciones disponibles. ◻ = Valores predeterminados de fábrica. ◼ = Valores predeterminados no modificables.

Tabla de configuración: secadora serie 700



Estos niveles de temperatura, sequedad y opciones están disponibles con los siguientes ciclos:

SELECCIONES DE CICLO

ALLERGEN (Alérgeno)	HEAVY DUTY (Intensivo)	NORMAL	ACTIVWEAR (Ropa deportiva)	MIXED LOADS (Cargas mixtas (colores))	TOWELS (Toallas)	15 MIN FAST DRY (Secado rápido de 15 minutos)	DELICATES (Delicados)	AIR DRY (Secado al aire)	TIME DRY (Secado programado)	Wear it Again (Usata de nuevo)
---------------------	------------------------	--------	----------------------------	---------------------------------------	------------------	---	-----------------------	--------------------------	------------------------------	--------------------------------

TEMPERATURE (Temperatura)

Sanitize (Desinfectar)	✓	✓				✓				✓
High (Alto)	✓	✓		✓	✓	✓			✓	✓
Normal		✓	✓	✓	✓				✓	✓
Low (Bajo)		✓	✓	✓	✓		✓		✓	
Eco Dry (No Heat/Air) (Secado Ecológico (Sin Calor/Aire))								✓	✓	

DRYNESS (Sequedad)

Max (Máximo)	✓	✓	✓			✓				
High (Alto)		✓	✓	✓	✓	✓				
Normal		✓	✓	✓	✓	✓	✓			
Low (Bajo)			✓	✓	✓	✓	✓			
Damp (Humedad)			✓		✓		✓	✓		

Dry Time (Tiempo de secado)

Auto Dry (Secado Automático)	✓	✓	✓	✓	✓		✓	✓		
75 Minutos										✓
60 Minutos										✓
45 Minutos										✓
30 Minutos										✓

OPTIONS (Opciones)

Anti-Static (Antiestático)		✓	✓	✓	✓	✓	✓			
Perfect Steam (Vapor Perfecto)			✓	✓	✓	✓	✓			✓
Wrinkle Release (Eliminación De Arrugas)	✓	✓	✓	✓	✓	✓	✓	✓	✓	
Extended Tumble (Centrifugado Prolongado)	✓	✓	✓	✓	✓	✓	✓	✓	✓	
Drum Light (Luz Del Tambor)	✓	✓	✓	✓	✓	✓	✓	✓	✓	✓
Delay Time (Tiempo De Retraso)	✓	✓	✓	✓	✓	✓	✓	✓	✓	✓
Control Lock (Bloqueo De Control)	✓	✓	✓	✓	✓	✓	✓	✓	✓	✓
Dry Boost (Refuerzo Seco)										

✓ = Selecciones disponibles. ◻ = Valores predeterminados de fábrica. ◼ = Valores predeterminados no modificables.

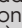
Selección de ciclo



Selección del ciclo correcto para ahorrar energía

Esta secadora ha sido diseñada específicamente con opciones para ayudarlo a ahorrar energía y, al mismo tiempo, utilizar la configuración de secado óptima para su ropa.

La clasificación de eficiencia energética se basa en el ciclo normal utilizando el ajuste de temperatura normal y el nivel de secado normal.

Algunos ciclos ahorran más energía que otros. Los ciclos que utilizan la menor cantidad de calor ahorran la mayor cantidad de energía y muestran el icono de hoja  en la consola. Use la configuración de calor más baja (ciclos de secado automático y programado) y la configuración de menos secado (ciclos de secado automático) para ahorrar energía y evitar que se seque demasiado la ropa.

Presione el botón **power** (encendido) para encender la unidad. Gire el selector de ciclos en cualquier dirección o presione repetidamente el botón de ciclos (según su modelo) para desplazarse hasta el ciclo deseado. La luz indicadora del ciclo seleccionado se iluminará y en la pantalla LED se mostrará el tiempo de secado estimado de los ciclos de secado automático o el tiempo de secado real de los ciclos de secado programado.

La configuración y las opciones predeterminadas se indicarán automáticamente para el ciclo seleccionado. En la mayoría de los casos se pueden cambiar las opciones y la configuración del ciclo. Consulte *Configuración del ciclo*, *Opciones de ciclos* y *Tablas de ajustes* para obtener más detalles.

Para cambiar el ciclo una vez que ha comenzado, presione el botón **Cancel** (cancelar) antes de seleccionar un nuevo ciclo. **Girar el anillo selector de ciclos o presionar el botón de ciclos NO cambiará el ciclo.**

Ciclos de secado automático

Los ciclos de secado automático determinan la selección del tiempo de secado correcto para cada carga. Los sensores de humedad detectan el nivel de humedad de la carga a medida que esta pasa por el aire caliente. Con los ciclos de secado automático, la carga se secará automáticamente a la temperatura seleccionada hasta el nivel de sequedad deseado.

Los ciclos de secado automático ahorran tiempo y energía y protegen los tejidos. Cuando la carga haya alcanzado el nivel de

sequedad seleccionado, continuará girando, sin calor, durante el período de enfriamiento. Esto ayuda a reducir las arrugas y facilita el manejo de los elementos durante la descarga.



NOTA

Los tiempos de ciclo iniciales para los ciclos de secado automático son solo estimaciones, el tiempo de secado real puede diferir ligeramente del tiempo que se muestra.

Los tiempos de secado varían según el tamaño y la humedad de la carga y el tipo de tejido. Si la carga es demasiado pequeña o está casi seca, es posible que los sensores de humedad no detecten suficiente humedad para continuar el ciclo y que el ciclo finalice después de unos minutos. Si esto ocurre, seleccione el ciclo de **secado programado** para secar dichas cargas.

La temperatura ambiente y la humedad, el tipo de instalación y el voltaje eléctrico o la presión de gas también pueden afectar el tiempo de secado.



NOTA

Los modelos equipados con la función **Predictive Dry** (Secado predictivo) utilizan los primeros 90 segundos de los ciclos de secado automático para detectar la carga en la secadora. **Durante este período de 90 segundos, la pantalla LED mostrará 2 líneas circulares.** Cuando la detección se haya completado, la pantalla LED mostrará el tiempo de ciclo restante en minutos y hará una cuenta regresiva precisa hasta el final del ciclo.

Ciclos de secado programado

Los ciclos de secado programado permiten la selección de tiempos de secado exactos. El **ciclo de secado programado** permite la opción de seleccionar ajustes de tiempo de secado que van de **30 a 75 minutos** (según el modelo). Se pueden seleccionar varios tiempos de secado y ajustes de temperatura cuando se utiliza este ciclo.

Los ciclos de **secado rápido** (en determinados modelos) tienen tiempos preestablecidos de **15, 18 o 20 minutos** (según el modelo) con una temperatura preestablecida de **alta** únicamente.

Los niveles de sequedad no serán una opción disponible cuando se utilice cualquiera de los ciclos de secado programado.



ADVERTENCIA

PELIGRO DE INCENDIO

Para evitar el peligro de incendio, NO use calor para secar elementos que contengan plumas o plumón, espuma de caucho, plásticos de textura similar, materiales similares al caucho. Use el ciclo de **secado programado** y la configuración de **secado ecológico** (sin calor).

Ciclos

CARGA	TIPO DE CARGA	VALOR PREESTABLECIDO DEL CICLO
ALÉRGENO (en determinados modelos)	Eliminación de alérgenos (no para elementos propensos al daño por calor)	<ul style="list-style-type: none"> temperatura alta* sequedad máxima* secado automático*
VOLUMINOSO (en determinados modelos)	Cargas grandes y tejidos duraderos (como toallas, jeans (vaqueros) y overoles)	<ul style="list-style-type: none"> alta temperatura sequedad máxima secado automático*
INTENSIVO (en determinados modelos)	Cargas grandes y telas duraderas (como jeans (vaqueros) y overoles)	
NORMAL	Cargas diarias (algodón, ropa de cama y sábanas)	<ul style="list-style-type: none"> temperatura normal sequedad normal secado automático*
ROPA DEPORTIVA (en determinados modelos)	Ropa deportiva sintética liviana (tejidos deportivos sintéticos y tejidos elásticos)	<ul style="list-style-type: none"> temperatura baja sequedad normal secado automático*
CARGA MIXTA (en determinados modelos)	Carga mixta de tejidos	<ul style="list-style-type: none"> temperatura normal sequedad normal secado automático*
TOALLAS (en determinados modelos)	Cargas grandes y tejidos duraderos (como toallas, jeans (vaqueros) y overoles)	<ul style="list-style-type: none"> temperatura alta* sequedad máxima* secado automático*
SECADO RÁPIDO (varía según el modelo) 15/18/20 minutos.	Cargas pequeñas de 3 a 5 prendas	<ul style="list-style-type: none"> temperatura alta* tiempo preestablecido* (15, 18 o 20 minutos)
DELICADOS	Telas tejidas y delicadas	<ul style="list-style-type: none"> temperatura baja* sequedad normal secado automático*

CARGA	TIPO DE CARGA	VALOR PREESTABLECIDO DEL CICLO
SECADO PROGRAMADO	Ajuste manualmente el tiempo de secado, el calor y el nivel de secado para cualquier tipo de carga	<ul style="list-style-type: none"> temperatura normal tiempo de 30 a 75 minutos
SECADO AL AIRE	Cargas pequeñas de 3 a 5 prendas	<ul style="list-style-type: none"> sin calor
INSTANT REFRESH (Fresco instantáneo) (en determinados modelos)	Renueve los tejidos, elimine los olores y reduzca la estática inyectando vapor en la ropa.	<ul style="list-style-type: none"> temperatura alta* perfect steam™*
WEAR IT AGAIN (Úsala de nuevo)	Ciclo optimizado para reducir los olores, el pelo de las mascotas y las arrugas en ropa poco usada, lo que te permitirá usarla de nuevo antes de realizar un ciclo de lavado completo.	<ul style="list-style-type: none"> temperatura alta* perfect steam™* tiempo preestablecido*

* no se puede cambiar la configuración del valor predeterminado.

NOTA

No se recomienda usar hojas suavizantes de tejidos con ciclos de vapor u opciones de vapor, ya que pueden causar manchas en la ropa.

Configuración del ciclo

Para configurar o cambiar la temperatura de secado, el nivel de sequedad o el tiempo de secado, presione los botones de **temp** (temperatura), **dryness** (sequedad) o **time dry** (secado programado) para desplazarse hasta la configuración deseada. La luz indicadora de cada configuración se iluminará cuando se seleccione.

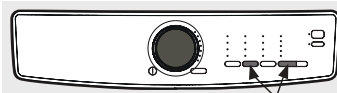
NOTA

Para cambiar la configuración del ciclo una vez que el ciclo ha comenzado, presione el botón **start/pause** (inicio/pausa), haga la nueva selección y presione de nuevo el botón **start/pause**.

Para proteger sus tejidos, no todas las temperaturas o niveles de sequedad están disponibles con cada ciclo. Si un nivel de temperatura o sequedad no es apropiado

para el ciclo, no se puede seleccionar y no se encenderá al desplazarse por la configuración.

Con excepción de **sanitize** (desinfectar) y **perfect steam™**, los ajustes realizados en las configuraciones y opciones del ciclo se recordarán y recuperarán cada vez que se seleccione ese ciclo en el futuro.



Para volver a los ajustes predeterminados de fábrica, mantenga pulsados simultáneamente los botones suciedad y opciones y espere a oír la señal.

Temperatura de secado

Para cambiar la temperatura, presione el botón **temp** para desplazarse hasta la configuración deseada.



Para obtener mejores resultados

Siga las instrucciones de la etiqueta de cuidado del tejido en los elementos que se secarán.

desinfectar (en determinados modelos)

Recomendado para tejidos y toallas resistentes. Use esta selección para eliminar las bacterias nocivas de su ropa u otros elementos donde se desee la desinfección. Esta opción eliminará el 99.9 % de las bacterias usando una temperatura más alta requerida para matar las bacterias. Revise las etiquetas de cuidado del tejido para evitar daños.

alto

Recomendado para la mayoría de los tejidos de algodón.

normal

Recomendado para tejidos livianos, sin arrugas y de fácil cuidado, y cargas voluminosas.

bajo (en determinados modelos)

Recomendado para tejidos delicados.

secado ecológico (sin calor)

Esta configuración solo debe utilizarse con un ciclo de secado programado para secar elementos que contengan plumas, plumón, espuma de caucho, plásticos o materiales similares al caucho; para renovar la ropa, animales de peluche, almohadas o mantas; y para quitar el polvo de las cortinas.

Nivel de sequedad

Para ajustar o cambiar el nivel de sequedad, presione el botón **dryness** (sequedad) para desplazarse hasta la configuración deseada.

Los niveles de sequedad incluyen **max** (máximo) (en determinados modelos), **high** (alto), **normal**, **low** (bajo) (en determinados modelos) y **damp** (húmedo). La mayoría de los ciclos de secado automático tienen como valor predeterminado el nivel de sequedad **normal**.

En ocasiones, una carga puede parecer demasiado húmeda o demasiado seca al final del ciclo. Para aumentar el tiempo de secado para cargas similares en el futuro, seleccione **high** (alto) o **max** (máximo) (en determinados modelos). Para disminuir el tiempo de secado para cargas similares, seleccione **less** (menos) (en determinados modelos).

Seleccione **damp** (húmedo) para los elementos que desea secar parcialmente antes de colgar o planchar.

Secado programado

Seleccione o cambie manualmente el tiempo de secado de un ciclo de **secado programado** (en determinados modelos) presionando el botón **time dry** (secado programado) para desplazarse por las opciones disponibles. Las opciones de secado programado incluyen **30, 45, 60 y 75** minutos (según el modelo).

La selección **auto** (automática) es un valor predeterminado para todos los ciclos de **secado automático** y ciclos de **secado rápido** y no se puede seleccionar ni cambiar. Todos los tiempos de secado reales o previstos aparecerán en la pantalla LED.

Opciones del ciclo

Para seleccionar una opción, presione **options** (opciones) y desplácese por las opciones hasta que la luz indicadora de la opción deseada parpadee y luego presione **select (set)** (seleccionar (establecer)). El indicador se iluminará cuando se haya seleccionado la opción. Siga los mismos pasos para anular la selección de una opción. La luz indicadora se apagará cuando se deseccione la opción.

**NOTA**

Para cambiar una opción de ciclo una vez que el ciclo ha comenzado, presione el botón **start/pause** (inicio/pausa), haga la nueva selección y presione de nuevo el botón **start/pause**.

Para proteger sus tejidos, no todas las opciones están disponibles con cada ciclo. Si una opción no está disponible para un ciclo, el indicador no se encenderá.

Ocasionalmente, dos opciones o ajustes en el mismo ciclo entran en conflicto entre sí, como la opción **perfect steam** y temperatura de **desinfección** (en determinados modelos). Cuando esto sucede, la opción seleccionada en primer lugar hará que la opción conflictiva no se pueda seleccionar.



perfect steam™ (en determinados modelos) La opción **perfect steam™** inyecta

CONTROLES Y AJUSTES

vapor en la ropa antes de enfriarse para reducir las arrugas, el planchado y la estática.

NOTA

No se recomienda usarhojas suavizantes de tejidos con ciclos de vapor u opciones de vapor, ya que pueden causar manchas en la ropa.

anti-static (antiestática) (en determinados modelos)

La opción **anti-static** inyecta vapor en la ropa justo antes de completar el ciclo para reducir la estática.

dry boost (Turbosecado)

Esta opción aumenta la eficacia del secado para los tejidos más pesados o las cargas voluminosas al aumentar la temperatura de secado en menos de 20°F (>1°C). (Varía en función de la selección del ciclo). Para 700 modelos, el indicador eco tiene 3 niveles: cuanto mayor sea el número de hojas, más ecológico.

icono de hoja

Este icono aparecerá en la consola cuando la secadora esté usando una configuración de eficiencia energética. Estos ajustes utilizan menos calor y tiempos de ciclo más prolongados para el secado. Al mostrar el icono de hoja la secadora siempre activará el valor predeterminado del ciclo Normal de eficiencia energética.

wrinkle release (Eliminación de arrugas)

La opción **wrinkle release** (Eliminación de arrugas) ayuda a prevenir las arrugas y los enredos centrifugando la carga seca sin calor durante 5 minutos cada 10 minutos. El ciclo de 5 minutos activado y 5 minutos desactivado se repite durante un total de 45 minutos. Sonará un timbre después de cada centrifugado como recordatorio para retirar la carga seca.

NOTA

Cuando se seleccionan las opciones **extended tumble** (centrifugado prolongado) y **wrinkle release** (eliminación de arrugas), la cantidad de tiempo que la carga se centrifugará sin calor aumentará a un período de hasta 75 minutos.

extended tumble (Centrifugado prolongado) (en determinados modelos)

Seleccione la opción **extended tumble** (Centrifugado prolongado) si la carga seca no se puede retirar rápidamente al final del ciclo. La carga seca se centrifugará continuamente sin calor durante 30 minutos. Sonará un timbre periódicamente para recordarle que retire la carga seca.

delay time (tiempo de retraso) (en determinados modelos)

Utilice la opción de **delay time** (tiempo de retraso) para retrasar el inicio del ciclo de secado hasta un momento conveniente para su cronograma o durante las horas de menor consumo energético. El inicio de cualquier ciclo puede retrasarse de 30 minutos a 12 horas. Después de seleccionar la opción de tiempo de retraso, use el botón de ciclo (modelos 300/400) o el selector de ciclo (modelos 500/600) para desplazarse hasta el tiempo de retraso deseado y presione **start** (inicio). El icono de **delay time** (tiempo de retraso) se iluminará en la pantalla LED para indicar que la opción **delay time** está activada, el tiempo de retraso comenzará una cuenta regresiva en la pantalla LED una vez activado.

NOTA

Mientras realiza la cuenta regresiva durante el **tiempo de retraso**, notará que su secadora centrifuga periódicamente durante unos minutos sin calor para redistribuir la carga, maximizando la frescura de la misma.

control lock (bloqueo de control)

Para bloquear los controles entre ciclos, desplácese hasta la opción control block (bloqueo de control) y presione **select** (seleccionar). El icono de bloqueo de control se mostrará en la pantalla LED. Para desbloquear los controles, desplácese hasta la opción control block (bloqueo de control) y presione **select** (seleccionar). Utilice esta función para reducir la probabilidad de operación accidental por parte de niños.

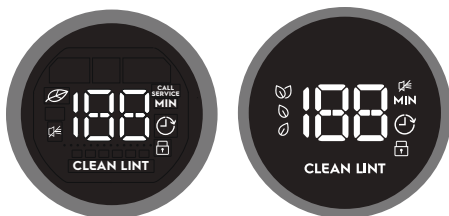
Los ciclos de la secadora no funcionarán cuando esté activo el bloqueo de control.

timbre

Sonará una señal al final del ciclo (y periódicamente durante el **extended tumble** (centrifugado prolongado) o la **wrinkle release** (eliminación de arrugas)). Para silenciar o reactivar el sonido, mantenga presionado el botón **select** (seleccionar) durante **3** segundos.



🔊 hold 'select' 3 s to mute/unmute

Otras características**Pantalla LED**

Los íconos pueden variar según el modelo

El tiempo de ciclo estimado del **auto dry** (secado automático), el tiempo real del **time dry** (secado programado) o la **cuenta regresiva del delay time** (tiempo de retraso) se mostrarán cuando se seleccione el ciclo. Una vez que el ciclo haya comenzado, se mostrará el tiempo restante estimado para el resto del ciclo.

Los modelos equipados con la función de secado predictivo utilizan los primeros 90 segundos de los ciclos de secado automático para detectar la carga en la secadora. Durante este período de 90 segundos, la pantalla LED mostrará 2 líneas circulares. Cuando se completa la detección, la pantalla LED mostrará el tiempo restante del ciclo en minutos y una cuenta atrás precisa hasta el final del ciclo.

Los íconos de **Delay time** (tiempo de retraso), **hoja**, **control lock** (bloqueo) de control, **mute** (silencio) (en determinados modelos) y **CLEAN LINT** limpieza de pelusa también aparecerán en esta pantalla LED cuando se activen.

Drum light (Luz del tambor) (en determinados modelos)

La luz del tambor se encenderá cada vez

que se abra la puerta para iluminar el tambor durante la carga y descarga. Al cerrar la puerta se apaga la luz. La luz del tambor se apagará automáticamente si la puerta se deja abierta durante más de 3 minutos. Seleccione la opción **drum light** (luz del tambor) para activar o desactivar la luz del tambor.

Puerta reversible

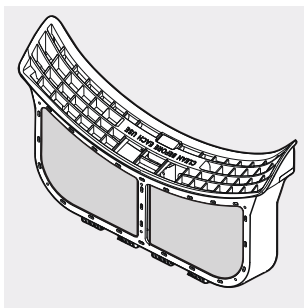
La secadora está equipada con una puerta reversible. La puerta se puede colocar en la bisagra del lado derecho o izquierdo.

NOTA

Para obtener instrucciones paso a paso sobre cómo invertir la dirección de la puerta, consulte las secciones de instalación de este manual.

Filtro protector contra pelusas LuxCare™

La secadora está equipada con un filtro protector contra pelusas **LuxCare™** tipo almeja.

**ADVERTENCIA**

Limpie el filtro después de cada carga. Aparecerá un **mensaje CLEAN LINT** (Limpieza de pelusa) en la pantalla LED al final del ciclo para recordarle que retire la pelusa del filtro.

NOTA

Para obtener instrucciones paso a paso para limpiar el filtro de pelusa, consulte *Limpieza del filtro* en la sección Mantenimiento y limpieza de este Manual de uso y cuidado.

Operación de la secadora



ADVERTENCIA

Para reducir el riesgo de incendio, descarga eléctrica o lesiones a personas, lea la Información de seguridad importante en este *Manual de uso y cuidado* antes de operar su secadora.



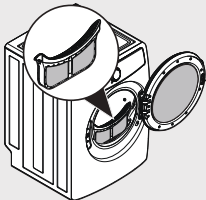
ADVERTENCIA


NO opere la secadora sin el filtro de pelusa en su lugar.



ADVERTENCIA

Limpie el filtro de pelusa después de cada carga.

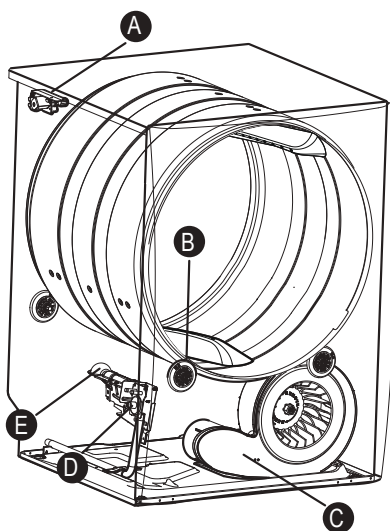
PASOS	CONSEJOS	IMPORTANTE
1. Prepare la carga para el secado.	<ul style="list-style-type: none"> • Seque los elementos de tejido, peso y fabricación similares en la misma carga. • Separe los elementos oscuros de los de color claro. Separe los elementos que desprenden pelusas de los que atraen pelusas. • Verifique que no haya manchas que no se hayan eliminado durante el lavado. Repita el proceso de eliminación de manchas y vuelva a lavar antes de secar. El calor de la secadora puede fijar algunas manchas de forma permanente. • Coloque los elementos delicados, recubiertos de caucho, o pequeños en una bolsa de malla (no incluida). • Asegúrese de que hebillas, botones y decoraciones sean resistentes al calor y no dañen el acabado del tambor. Cierre las cremalleras; ajuste los ganchos y ate los sujetadores. Ate las cuerdas y las fajas para evitar enganches y enredos. 	<p>NO lave a máquina los elementos que contengan fibra de vidrio. Las partículas pequeñas de la fibra de vidrio que quedan en el tambor pueden pasar a los tejidos en otras cargas y causar irritación de la piel o daño a los tejidos.</p> <p>NO lave la ropa u otros materiales resistentes al agua y repelentes al agua.</p>
2. Compruebe que el filtro de pelusa esté limpio y en su lugar.		<p>NO opere la secadora sin el filtro de pelusa en su lugar.</p>
3. Cargue la secadora y cierre la puerta.	<ul style="list-style-type: none"> • Cargue los elementos de manera holgada. La carga húmeda promedio llenará el tambor de 1/3 a 1/2 de su capacidad. Los elementos necesitan espacio para centrifugarse libremente a fin de que se sequen de manera uniforme y no se arruguen demasiado. • Si lo desea, coloque una hoja de suavizante de tejidos para secadora sobre la carga al comienzo del ciclo. • Al secar elementos grandes, seque solo dos o tres elementos a la vez. Llene la carga con elementos más pequeños. • Para cargas delicadas o muy pequeñas, agregue dos o tres elementos similares para mejorar la acción de centrifugación. 	<p>NO sobrecargue la secadora. Para ahorrar energía, tiempo y evitar secado poco uniforme y muchas arrugas, evite sobrecargar la secadora.</p> <p>NO seque en exceso. El secado excesivo puede causar arrugas, encogimiento, pelusas y acumulación de electricidad estática.</p>

PASOS	CONSEJOS	IMPORTANTE
<p>1. Seleccione el ciclo y la configuración adecuados para cada carga.</p>	<ul style="list-style-type: none"> • Consulte <i>Selección de ciclo</i> y <i>Configuración del ciclo</i> para obtener descripciones detalladas de los controles de ciclo. • Consulte las <i>Tablas de configuración del ciclo</i> para determinar qué configuración está disponible para cada ciclo. • Para brindar el mejor cuidado, no todas las configuraciones ni opciones están disponibles con cada ciclo. Si no hay una configuración u opción disponible para el ciclo seleccionado, el indicador no se encenderá. Consulte la <i>Tabla de configuración</i> para obtener información sobre las opciones disponibles para cada ciclo por modelo. • Los ajustes realizados en la mayoría de las configuraciones de ciclo se recordarán cada vez que se seleccione el ciclo en el futuro. Cuando la secadora está encendida, el ciclo predeterminado será el ciclo normal. Seleccione su ciclo deseado y se mantendrán las configuraciones anteriores. Para volver a la configuración de fábrica, presione el botón de secado y el botón de opciones al mismo tiempo y manténgalo presionado hasta que suene la señal. 	<p>El secado excesivo puede causar arrugas, encogimiento, pelusa, dureza y acumulación de electricidad estática.</p> <p>Para evitar la exposición accidental y no intencional del material delicado al calor excesivo o al vapor inesperado, no se recordará el ajuste de la temperatura de sanitize (desinfectar) y la opción perfect steam™ y se deberá volver a seleccionar cada vez.</p>
<p>2. Cierre la puerta de la secadora y comience el ciclo de secado.</p>	<ul style="list-style-type: none"> • Para iniciar el ciclo de secado, cierre la puerta y presione el botón start/pause (inicio/pausa). • Para agregar un elemento al tambor de la secadora, presione start/pause (inicio/pausa). Agregue el elemento, cierre la puerta y presione start/pause (inicio/pausa) para reanudar el ciclo. • Para cambiar la configuración o las opciones después de que el ciclo haya comenzado, presione start/pause (inicio/pausa), cambie la configuración y luego presione start/pause (inicio/pausa). Si el ciclo no se pausa primero, la unidad emitirá varios pitidos cuando se presionen los botones, pero no se aplicarán cambios al ciclo. • Para cambiar el ciclo una vez que este haya comenzado, presione cancel (cancelar) para cancelar el ciclo, seleccione el nuevo ciclo y presione start/pause (inicio/pausa) para comenzar el nuevo ciclo. Cambiar una selección de ciclo sin cancelar el ciclo actual NO cambiará el ciclo. • Para cancelar un ciclo, presione cancel (cancelar). 	<p>La secadora no operará con la puerta abierta.</p> <p>Al secar un solo elemento grande o voluminoso, como un edredón, pause el ciclo a mitad del mismo para dar vuelta el elemento "del revés" y maximizar la eficacia del secado.</p>
<p>3. Retire los elementos cuando haya terminado.</p>	<ul style="list-style-type: none"> • Sonará una señal al final del ciclo si la opción de timbre no está configurada para silenciarse. • Retire de inmediato los elementos cuando el ciclo esté completo y cuélguelos o dóblelos. 	<p>Consulte las instrucciones del fabricante del producto.</p>
<p>4. Limpie el filtro de pelusa.</p>	<ul style="list-style-type: none"> • Consulte la sección Mantenimiento y limpieza de esta instrucción. • Se mostrará CLEAN LINT (Limpieza de pelusa) al final del ciclo como recordatorio para retirar la pelusa del filtro. 	<p>RETIRE SIEMPRE LA PELUSA al final del ciclo (consulte la advertencia en la página anterior).</p>

Sonidos de funcionamiento normales

Es posible que escuche o no los siguientes sonidos de su nueva secadora:

- A. **VÁLVULA DE AGUA** (solo en los modelos a vapor). El flujo de agua es controlado por solenoides eléctricos. Durante la operación, puede haber un chasquido cuando la válvula se abre y se cierra para controlar el flujo de agua.
- B. **RODILLOS DE SUSPENSIÓN** El tambor de la secadora está soportado por un conjunto de rodillos de suspensión. A veces, puede haber un sonido de golpe o rodadura cuando la secadora comienza a funcionar. Esto puede suceder si la secadora no ha estado en uso durante un período de tiempo, o después de que una carga pesada haya permanecido en el tambor de la secadora durante un período prolongado, creando así un punto plano temporal en el borde del rodillo. El ruido debe disiparse a medida que la secadora opera y los puntos planos se alisan.
- C. **SISTEMA DE FLUJO DE AIRE** Su secadora está equipada con un sistema de manejo de aire de alto volumen. En algunas instalaciones, es posible que hayan algunos sonidos asociados con el movimiento de aire en toda la secadora, incluidos el conducto de aire, el soplador y el sistema de escape. Esto es normal y puede variar según el tamaño y el tipo de carga.
- D. **VÁLVULA DE GAS** (solo en los modelos a gas). El flujo de gas es controlado por solenoides eléctricos. Durante la operación, puede haber un chasquido cuando la válvula se abre y se cierra para controlar el flujo de gas.
- E. **QUEMADOR DE GAS** (solo en los modelos a gas). Cuando el quemador está operando, es posible que se generen sonidos a medida que el flujo de aire se mezcla con la llama de gas. Este ruido es normal y solo se producirá cuando el gas se encienda en el tubo de combustión.



Antes de operar la secadora

Lea las instrucciones importantes en esta sección del *Manual de uso y cuidado* antes de operar su secadora.



ADVERTENCIA

Para reducir el riesgo de incendio, descarga eléctrica o lesiones a personas, lea la Información de seguridad importante en este *Manual de uso y cuidado* antes de operar su secadora.

**ADVERTENCIA**

Para reducir el riesgo de incendio o lesiones graves a personas o propiedad, cumpla con las advertencias básicas que se indican en la Información de seguridad importante y las que se brindan a continuación.

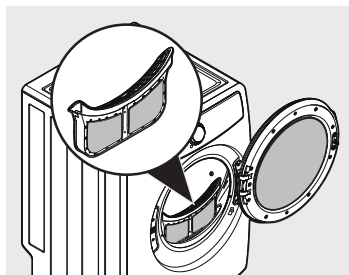
Limpieza del filtro**ADVERTENCIA**

Limpie el filtro de pelusa después de cada carga. Se mostrará **CLEAN LINT** (Limpieza de pelusa) al final del ciclo para recordarle que retire la pelusa del filtro.

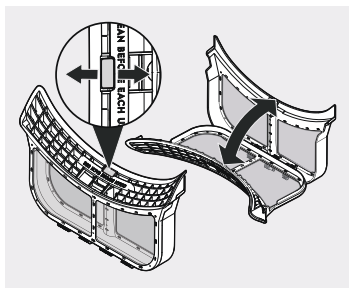
Limpie el filtro de pelusa después de cada carga. La acumulación de pelusa en el filtro restringe el flujo de aire, lo que provoca tiempos de secado más prolongados. El filtro se encuentra en la parte inferior de la abertura de la puerta.

Limpieza del filtro protector contra pelusas LuxCare™

1. Extraiga el filtro tirando de él en forma recta de la secadora.



2. Presione el botón en la parte superior del filtro para abrir la caja tipo almeja.



3. Limpie suavemente la pelusa del filtro.
4. Presione el filtro para que se cierre y vuelva a colocarlo en la secadora.

**IMPORTANTE**

- NO abra el filtro tipo almeja más allá del límite de la bisagra.
- SIEMPRE manipule el filtro tipo almeja por el marco, no por el material de la malla.

Interior

- En ocasiones, se puede formar una acumulación cerosa en el filtro de pelusa o en las barras detectoras de humedad por el uso de hojas suavizantes de tejidos añadidas a la secadora. Para eliminar esta acumulación, lávelas con agua tibia y jabón. Seque bien el filtro y vuelva a colocarlo. NO opere la secadora sin el filtro de pelusa colocado.
- Si el tambor de la secadora se mancha por tejidos que destiñen, limpie el tambor con un paño húmedo y un limpiador líquido suave para el hogar. Elimine los residuos del limpiador antes de secar la siguiente carga.
- Antes de limpiar el interior del tambor de la secadora, desenchufe el cable de alimentación eléctrica para evitar peligros de descarga eléctrica.
- NO use ningún tipo de limpiador en aerosol cuando limpie el interior de la secadora. Podrían producirse vapores peligrosos o descargas eléctricas.
- **Cada 18 meses, un profesional de servicio calificado debe limpiar el interior del gabinete de la secadora, la carcasa del filtro para pelusas y el conducto de escape. Estas áreas pueden acumular pelusa y polvo con el tiempo. Una cantidad excesiva de acumulación de pelusa podría provocar un secado ineficiente y un posible peligro de incendio.**

Exterior

- Limpie el gabinete de la secadora con agua y jabón suave. Nunca use limpiadores fuertes, ásperos o abrasivos.
- Si el gabinete se mancha, limpie con blanqueador con cloro diluido (1 parte de blanqueador por 8 partes de agua). Enjuague varias veces con agua limpia.
- Quite los residuos de pegamento de cinta o etiquetas con una mezcla de agua tibia y detergente suave. O bien, toque el residuo con el lado adhesivo de la cinta o la etiqueta.

- Cuando limpie piezas cromadas, es mejor usar solo un paño húmedo.
- Antes de mover la secadora, coloque una tira de cartón o de tablero de fibra delgada debajo de las patas niveladoras delanteras para evitar daños en el piso.



ADVERTENCIA

PELIGRO DE INCENDIO

Una secadora de ropa produce pelusas combustibles. La secadora debe estar conectada a un escape al exterior. Inspeccione regularmente la abertura del escape al exterior y elimine cualquier acumulación de pelusa alrededor de la abertura y en el área circundante.



IMPORTANTE

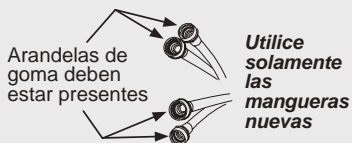
NO almacene ni coloque productos de lavandería sobre la secadora en ningún momento. Pueden dañar el acabado o los controles. Se recomienda mantener los productos de lavandería en el cajón de almacenamiento entre ciclos si se instalan sobre un pedestal.



Inspección de la manguera de entrada de agua (solo en los modelos a vapor)

Inspeccione periódicamente todas las mangueras de entrada de agua en busca de fugas de agua, desgaste, cortes, corrosión y protuberancias. Reemplace todas las mangueras, si hay algún signo visible de lo anterior. Todas las mangueras deben reemplazarse cada 5 años para reducir el riesgo de fallas en las mangueras. Cuando reemplace las mangueras, consulte las *instrucciones de instalación* para instalarlas adecuadamente. NO apriete excesivamente

ni enrosque las conexiones. NO permita que la manguera roce contra objetos filosos. Siempre asegúrese de que la arandela de goma del conector de la manguera esté instalada y libre de fugas de agua cuando se aplique presión de agua.



Uso limitado, vacaciones y lejos de casa



PRECAUCIÓN

La secadora debe operar ÚNICAMENTE cuando usted esté en la casa. Si no está en su casa o no usa la secadora durante períodos prolongados, siga estos pasos:

1. Cierre el suministro de agua a la secadora (solo en los modelos a vapor) para evitar fugas de agua debido a aumentos bruscos de la presión de la misma y en casos imprevistos en el suministro de agua.
2. Desconecte o desenchufe el suministro eléctrico de la secadora.

Volver a conectar el suministro de agua y eléctrico



IMPORTANTE

Cuando vuelva a instalar la secadora después de desconectar las líneas de suministro de agua (solo en los modelos a vapor) y el suministro eléctrico, siga los pasos a continuación:

1. Revise las *instrucciones de instalación* que se proporcionan con la secadora para asegurarse de que el electrodoméstico esté nivelado y que el suministro de agua y eléctrico se conectó correctamente.
2. Antes de conectar las líneas de agua a la entrada de la secadora, asegúrese de que las líneas de agua estén limpias de residuos.
3. Revise si hay fugas de agua y reemplace las mangueras de suministro si es necesario.

Consultas comunes sobre el secado

Muchos problemas de secado implican resultados de limpieza deficientes, eliminación deficiente de suciedad y manchas, residuos de pelusas y sarro, y daños en los tejidos. Para obtener resultados de secado satisfactorios, siga estas sugerencias que The Soap and Detergent Association proporciona.

PROBLEMA	CAUSAS POSIBLES	SOLUCIONES	MEDIDAS PREVENTIVAS
Manchas grasosas y aceitosas	<ul style="list-style-type: none"> • Hoja de suavizante de tejidos 	<ul style="list-style-type: none"> • Frote las manchas de suavizante de tejidos con jabón en barra. Enjuague y vuelva a lavar. 	<ul style="list-style-type: none"> • Agregue algunas toallas de baño a las cargas pequeñas para que se centrifuguen correctamente. • Algunos tejidos "similares a la seda" deben secarse al aire. • Use la temperatura de secado adecuada. • Coloque la lámina de suavizante de ejidos sobre la carga antes de poner la secadora en marcha.
Pelusa	<ul style="list-style-type: none"> • Sobrecarga • El secado excesivo causa electricidad estática • El filtro para pelusas no está limpio cuando comienza el ciclo • La pelusa se une a "bolitas" 	<ul style="list-style-type: none"> • Reduzca el tamaño de la carga y vuelva a lavar con suavizante líquido para tejidos en el enjuague final. • También puede agregar una lámina de suavizante de tejidos y centrifugar sin calor. • Use un cepillo o rodillo para pelusas para quitarlas. 	<ul style="list-style-type: none"> • NO sobrecargue la secadora. • Use suavizante de tejidos en la lavadora o secadora para reducir la electricidad estática. • Retire los elementos cuando estén ligeramente húmedos para evitar que se sequen en exceso. • Compruebe que el filtro de pelusa esté limpio y en su lugar.
Formación de bolitas (las fibras se rompen, forman bolitas y se adhieren al tejido)	<ul style="list-style-type: none"> • Secado excesivo 	<ul style="list-style-type: none"> • Use un cepillo para pelusas o una afeitadora para quitar las bolitas. 	<ul style="list-style-type: none"> • Use suavizante de tejidos para lubricar las fibras. • Al planchar, use almidón en aerosol o acabado de tejidos en cuellos y puños. • Dé vuelta los elementos para reducir la abrasión.

PROBLEMA	CAUSAS POSIBLES	SOLUCIONES	MEDIDAS PREVENTIVAS
Encogimiento	<ul style="list-style-type: none"> · Temperatura demasiado alta · Secado excesivo 	<ul style="list-style-type: none"> · Condición irreversible. 	<ul style="list-style-type: none"> · Siga las instrucciones de la etiqueta de cuidado del tejido. · Si el encogimiento lo preocupa, verifique la carga con frecuencia. · Retire los elementos mientras estén ligeramente húmedos y cuélguelos o colóquelos de forma plana para completar el secado. · Coloque los tejidos en forma de bloque.
Arrugas	<ul style="list-style-type: none"> · Sobrecarga · Dejar los elementos en la secadora después de que finaliza el ciclo 	<ul style="list-style-type: none"> · Reduzca el tamaño de la carga y centrifugue con calor medio o bajo durante 5 a 10 minutos. · Retire los elementos de inmediato. Cuelgue o doble. 	<ul style="list-style-type: none"> · NO sobrecargue la secadora. · Retire los elementos tan pronto como finalice el ciclo.
Manchas húmedas aisladas en los tejidos después de completar el ciclo de vapor	<ul style="list-style-type: none"> · La baja presión de agua en el hogar no es suficiente para atomizar el agua entrante durante el ciclo de vapor 	<ul style="list-style-type: none"> · Revise la presión de la línea de agua. 	<ul style="list-style-type: none"> · Asegurarse de que la presión de la línea de agua sea de un mínimo de 20 psi. NO exceda los 120 psi.

Antes de llamar

Antes de llamar para solicitar servicio técnico, lea esta lista. Podría ahorrarle tiempo y gastos. La lista menciona situaciones comunes que pueden ocurrir y que no responden a un problema de fabricación o partes defectuosas en la secadora.

PROBLEMA	CAUSAS POSIBLES	SOLUCIONES
La secadora no arranca.	<ul style="list-style-type: none"> • El cable de alimentación eléctrica no está bien enchufado o el enchufe puede estar suelto. • Los fusibles de la casa están fundidos o se desconectó el disyuntor. • No se reconoce la acción de presionar el botón de inicio en la consola de estilo "pantalla táctil" • Limitador térmico activado. • Tiempo de retraso activado inadvertidamente. • La puerta puede estar abierta. La unidad no funcionará con la puerta abierta. • Carga difícil de secar. 	<ul style="list-style-type: none"> • Asegúrese de que el enchufe encaje firmemente en el tomacorriente de pared. • Restablezca el disyuntor o reemplace el fusible. • Asegúrese de que la línea eléctrica no esté sobrecargada y que la secadora esté en un circuito separado. • Presione el botón de inicio con la yema del dedo descubierta. • Llame a la persona de servicio autorizada para que lo reemplace. • Asegúrese de que el tiempo de retraso no esté activado. • Asegúrese de que la puerta esté cerrada. • Seleccione la opción Dry Boost (Turbosecado).
El LED muestra "dn".	<ul style="list-style-type: none"> • La secadora se ha programado para realizar temporalmente un ciclo de demostración repetido. 	<ul style="list-style-type: none"> • Restablezca la unidad a la configuración predeterminada de fábrica como se describió anteriormente.
La secadora funciona pero no se calienta.	<ul style="list-style-type: none"> • Hay 2 fusibles domésticos en el circuito de la secadora. Si se funde 1 de los 2 fusibles, el tambor puede girar, pero el calentador no operará (modelos eléctricos). • La válvula de suministro de gas no está abierta (modelos de gas). • La secadora no tiene suficiente suministro de aire para soportar la llama del quemador (modelos a gas). • El tanque de suministro de gas LP está vacío o hubo una interrupción de la red pública de gas natural (modelos de gas). 	<ul style="list-style-type: none"> • Reemplace el fusible. • Compruebe que la válvula de suministro esté abierta. Consulte las <i>instrucciones de instalación</i> que se proporcionan con la secadora. • Consulte las secciones de <i>Instalación de este manual</i>. • Vuelva a llenar o reemplace el tanque. La secadora debe calentarse cuando se restablezca el servicio público.

RESOLUCIÓN DE PROBLEMAS

PROBLEMA	CAUSAS POSIBLES	SOLUCIONES
El ciclo de secado toma demasiado tiempo, la parte externa de la secadora se siente demasiado caliente o huele a caliente.	<ul style="list-style-type: none"> El filtro de pelusa está obstruido con pelusa. No se cumplieron con los requisitos del conducto de escape. La secadora eléctrica está conectada a un circuito de 208 voltios. No se siguieron los procedimientos de secado. La campana o el conducto de escape al exterior pueden estar obstruidos o tapados. Alto nivel de humedad. 	<ul style="list-style-type: none"> Asegúrese de que se haya retirado toda la pelusa del filtro de pelusa de la secadora antes de comenzar cada ciclo. El conducto de escape debe tener al menos 4 pulgadas de diámetro y estar hecho de metal rígido o semirrígido. Cuando esté en su lugar, el conducto no debe exceder la longitud indicada en las <i>instrucciones de instalación</i>. El tiempo de secado será un 20 % más largo que el secado en un circuito de 240 voltios. Consulte las <i>Instrucciones de operación</i>. Limpie cualquier obstrucción. Use un deshumidificador cerca de la secadora.
Humedad excesiva en el tambor entre ciclos.	<ul style="list-style-type: none"> El regulador de escape está trabado en posición abierta o no está presente. 	<ul style="list-style-type: none"> Arregle o limpie el regulador, o instale uno nuevo.
Arrugas excesivas.	<ul style="list-style-type: none"> La secadora está sobrecargada. Se dejaron elementos en la secadora por demasiado tiempo. Clasificación insuficiente de los elementos. Temperatura de secado demasiado alta. La carga de secado es muy pequeña. 	<ul style="list-style-type: none"> NO sobrecargar. Consulte las <i>Instrucciones de operación</i>. Retire los elementos tan pronto como finalice el ciclo. Consulte las <i>Instrucciones de operación</i>. Siga las instrucciones de la etiqueta de cuidado del tejido. Agregue dos o tres elementos más grandes.
Raspado o astillado del acabado del tambor.	<ul style="list-style-type: none"> Hay objetos extraños como monedas, alfileres, ganchos o botones dentro de la secadora.* Los elementos unidos de forma permanente, como hebillas de cinturón, cremalleras y sujetadores, pueden golpear el interior del tambor.* 	<ul style="list-style-type: none"> Siempre retire los objetos extraños de los bolsillos antes de lavarlos. Retire los objetos del tambor y reinicie la secadora. Puede ser necesario coser un trozo de material de manera segura alrededor de los adornos antes de secarlos para evitar rayones y daños en la secadora.

* La garantía no cubre los daños en el tambor causados por objetos extraños o elementos unidos de forma permanente.

Durante el periodo de garantía detallado a continuación, a partir de la fecha de compra, Electrolux reparará o sustituirá las piezas de este electrodoméstico que resulten estar defectuosas en materiales o mano de obra, siempre que dicho electrodoméstico haya sido instalado, utilizado y mantenido de acuerdo con las instrucciones proporcionadas.

Periodos de garantía:

- Todas las piezas — Un año, incluida mano de obra Además, su electrodoméstico está cubierto con la garantía limitada de un año únicamente para las piezas. Durante el segundo año a partir de la fecha original de su compra, Electrolux se hará cargo de las piezas que hayan resultado defectuosas a causa del material o de la instalación, uso o mantenimiento en conformidad con las instrucciones facilitadas.

Exclusiones

La presente garantía no cubre lo siguiente:

1. Productos con números de serie original que se hayan quitado, modificado o no se puedan determinar fácilmente.
2. Productos que se hayan transferido de su dueño original a otra parte o trasladado fuera de los EE.UU. o Canadá.
3. Herrumbre en el interior o exterior de la unidad.
4. Los productos adquiridos "tal cual" no están cubiertos por esta garantía.
5. Productos utilizados en un entorno comercial.
6. Llamadas al servicio técnico que no impliquen funcionamiento incorrecto o defectos en los materiales o la mano de obra, o para los electrodomésticos que no se encuentren en uso doméstico habitual o utilizados de otra forma que no sea de acuerdo con las instrucciones proporcionadas.
7. Llamadas al servicio técnico para corregir la instalación de su electrodoméstico o aprender cómo se utiliza su electrodoméstico.
8. Gastos ocasionados para facilitar el acceso al aparato para tareas de servicio, como movimiento de adornos, armarios empotrados, estanterías, etc, que no forman parte del aparato tal y como se entregó de fábrica.
9. Visitas de servicio para reparar o sustituir bombillas, filtros de aire, filtros de agua, otros consumibles o tiradores, asas o embellecedores.
10. Costos por el retiro y la entrega del electrodoméstico; éste está diseñado para ser reparado en el hogar.
11. Sobrecargos que incluyen, entre otros, todo servicio técnico fuera de horario, durante feriados o fines de semana, peajes, cargos de viaje en transbordador o gastos de millaje para el servicio técnico en áreas remotas, incluso el Estado de Alaska.
12. Daños en el acabado del electrodoméstico o en el hogar producidos durante el traslado o la instalación, que incluyen, entre otros, suelo, gabinetes, paredes, etc.
13. Daños provocados por: servicios técnicos realizados por empresas de servicio no autorizadas, uso de piezas que no sean las piezas genuinas de Electrolux o piezas obtenidas de personas que no sean las empresas de servicio técnico autorizado o causas externas como abuso, uso incorrecto, suministro de alimentación inadecuado, accidentes, incendios o casos fortuitos.

DESCARGO DE RESPONSABILIDADES DE LAS GARANTÍAS IMPLÍCITAS; LIMITACIÓN DE SATISFACCIONES

EL RECURSO ÚNICO Y EXCLUSIVO DEL CLIENTE BAJO ESTA GARANTÍA LIMITADA SERÁ LA REPARACIÓN O EL REEMPLAZO DEL PRODUCTO COMO SE ESTABLECE EN EL PRESENTE. LOS RECLAMOS BASADOS EN GARANTÍAS IMPLÍCITAS, INCLUSO GARANTÍAS DE COMERCIALIZACIÓN O APTITUD PARA UN FIN EN PARTICULAR, SE LIMITAN A UN AÑO O EL MENOR TIEMPO PERMITIDO POR LA LEY, PERO NO MENOS DE UN AÑO. ELECTROLUX NO SERÁ RESPONSABLE DE DAÑOS CONSIGUIENTES O INCIDENTES, COMO DAÑOS A PROPIEDADES Y GASTOS INCIDENTES RESULTANTES DEL INCUMPLIMIENTO DE ESTA GARANTÍA LIMITADA POR ESCRITO O DE CUALQUIER GARANTÍA IMPLÍCITA. ALGUNOS ESTADOS Y PROVINCIAS NO PERMITEN LA EXCLUSIÓN O LIMITACIÓN DE DAÑOS INHERENTES O IMPORTANTES, O LAS LIMITACIONES EN LA DURACIÓN DE LAS GARANTÍAS IMPLÍCITAS, DE MANERA QUE ESTAS LIMITACIONES O EXCLUSIONES PUEDEN NO APLICARSE EN SU CASO. LA PRESENTE GARANTÍA POR ESCRITO LE OTORGA DERECHOS LEGALES ESPECÍFICOS. ES POSIBLE QUE TENGA OTROS DERECHOS QUE VARIEN DE UN ESTADO A OTRO.

Si necesita servicio técnico

Conserve su recibo, recibo de entrega u otro registro de pago adecuado para establecer el período de garantía en caso de que se requiera servicio técnico. Si se realizara un servicio técnico, es conveniente que obtenga y conserve todos los recibos. El servicio técnico cubierto por esta garantía deberá obtenerse contactando con Electrolux en las direcciones o números de teléfono indicados más abajo.

La presente garantía sólo se aplica en los EE. UU., Puerto Rico y Canadá. En los EE. UU. y Puerto Rico, su electrodoméstico cuenta con garantía de Electrolux Major Appliances North America, una división de Electrolux Home Products, Inc. En Canadá, su electrodoméstico cuenta con garantía de Electrolux Canada Corp. Electrolux no autoriza a ninguna persona a cambiar ni agregar ninguna obligación bajo esta garantía. Las obligaciones por servicio técnico y piezas bajo esta garantía deben ser realizadas por Electrolux o una empresa de servicio técnico autorizada. Las características o especificaciones del producto según se describen o ilustran están sujetas a cambios sin previo aviso.

EE. UU.
1-877-435-3287

Electrolux Home Products, Inc.,
Norte América
10200 David Taylor Drive
Charlotte, NC 28262



Electrolux

Canadá
1-800-265-8352
Electrolux Canada Corp.
5855 Terry Fox Way
Mississauga, Ontario, Canadá
L5V 3E4

CE

A20448905 (June / juin / junio 2024)