

REF24BMBIPNV

REFRIGERATOR 24" BOTTOM MOUNT INTEGRATED PANEL READY WITH AUTOMATIC ICE MAKER AND SLIDING DOOR



Energy Star refrigerator & freezer with 8.4 cu.ft capacity, powered by variable-speed compressor and evaporator.

Optimized airflow design keeps temperature constant and even throughout entire refrigerator.

Automated defrosting of evaporator ensures food stays always fresh.

Precise temperature control for optimal food preservation: the Fresco drawer in the refrigerator compartment with independent temperature settings (27°-37°F) and humidity-control system allows for optimal preservation of meat, fish and vegetables.

Automatic ice maker with daily capacity of 1.8 lbs of ice.

3 adjustable-height shelves and 3 door bins ensure organized storage and preservation of food.

1 large & 2 standard size drawers in freezer compartment ensure easy organization and retrieval of frozen goods.

Electronic touch interface with user-friendly controls for temperature, speed-freeze and ice making.

Backlit LED panel illumination ensures maximum visibility.

Reversible doors for left or right swing configuration.

2 years parts & labor warranty.

PRODUCT FEATURES

Volume	Ref 6 cu.ft / Frz 2.4 cu.ft
Door finish	Panel ready
User interface	Internal digital LED touch interface
Lighting	Backlit LED panel
Refrigerator shelves	1 stationary + 3 height adjustable
Refrigerator drawers	1 + 1 fresco drawer with separate temperature and humidity control
Freezer compartment	2 full width drawers + 1 half width drawer
Door storage	1 gallon sized + 2 height adjustable bins
Ice maker	Automatic ice maker 1.8 lbs / 24 h
Settings	Super cool, Super freeze, Eco mode, Vacation mode, Ice maker

TECHNICAL SPECIFICATIONS

Electrical supply	115 V 60 HZ - 100 W - 0.8 Amp
Power connection	NEMA 5-15P with 90" power cord
Sound rating	41 dbA
Water connection	1/4" waterline with shut-off valve
Water supply pressure	25-80 psi (1.7-5.5 bar)
Energy consumption	464.0 kwh/yr
Certification	CEC, ETL, NSF
Warranty	2 years parts & labor
Packaging dimensions	W 22 9/16" H 72 3/4" D 22 15/16"
Weight	144.0 lbs

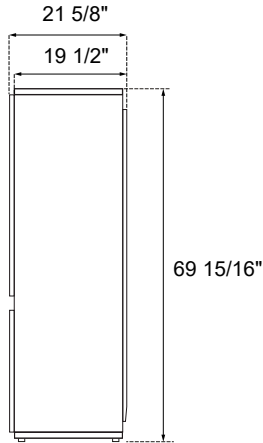


REF24BMBIPNV

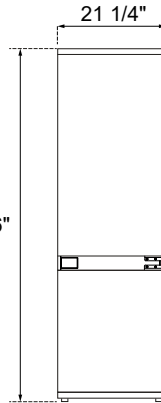
REFRIGERATOR 24" BOTTOM MOUNT INTEGRATED PANEL READY WITH AUTOMATIC ICE MAKER AND SLIDING DOOR



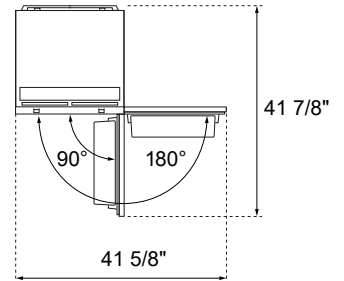
SIDE



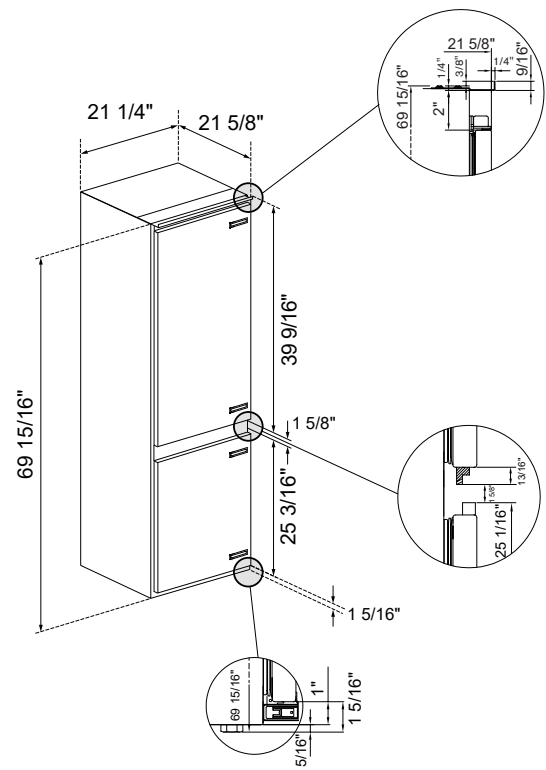
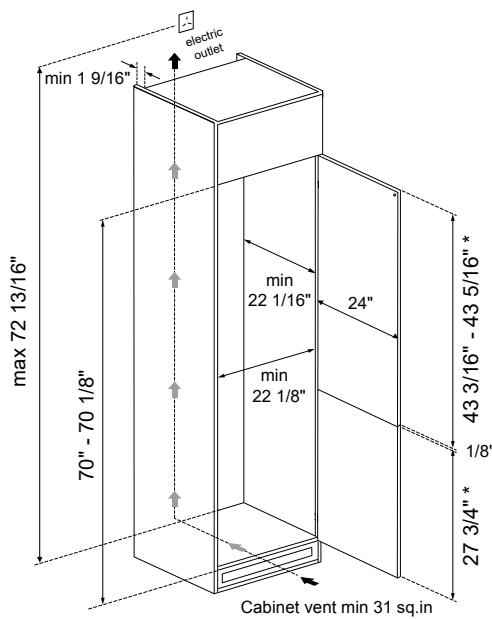
FRONT



TOP



CUTOUT DIMENSIONS



* Indicative panel height, to be adjusted according to cabinet specifications.

The refrigerator is installed on the cabinet base shelf and not kitchen floor.
Max weight for the cabinet panels is 44 lbs per panel.

ELECTRICAL & PLUMBING CONNECTION

A properly-grounded, electrical receptacle should be installed. A separate circuit breaker servicing only this appliance is recommended. Do not use a multi-purpose socket with other electrical appliances. The refrigerator is equipped with a 59" long, 1/4" water hose and a 1/4" compression fitting nut.

TOP VIEW

