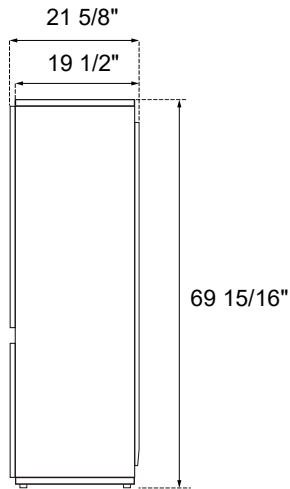
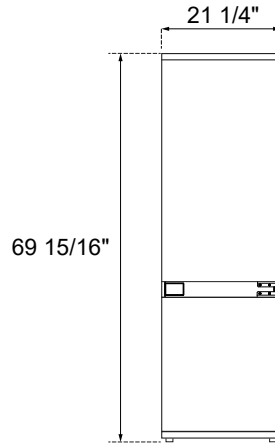
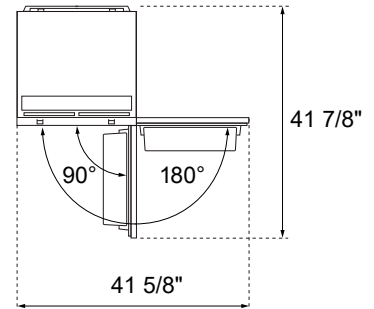
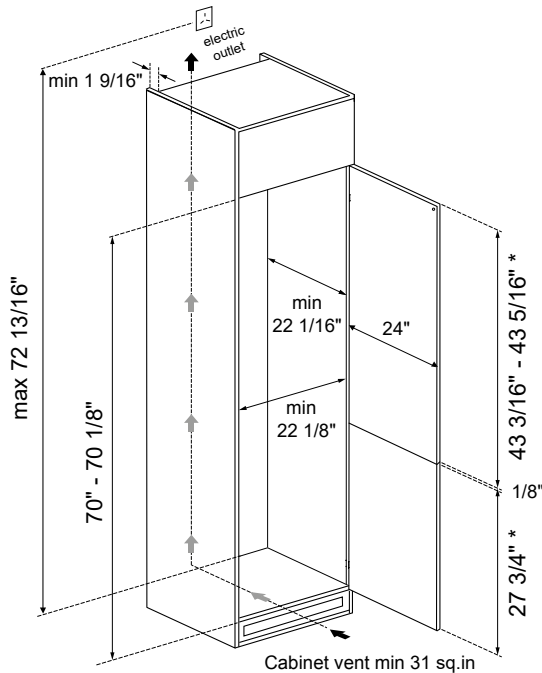
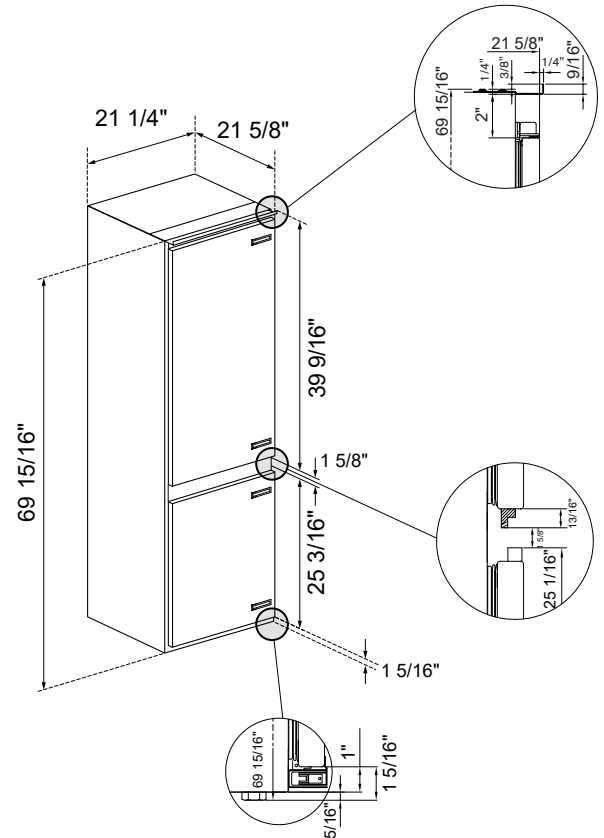


SIDE**FRONT****TOP****CUTOUT DIMENSIONS**

* Indicative panel height, to be adjusted according to cabinet specifications.

The refrigerator is installed on the cabinet base shelf and not kitchen floor.

Max weight for the cabinet panels is 44 lbs per panel.

**ELECTRICAL & PLUMBING CONNECTION**

A properly-grounded, electrical receptacle should be installed. A separate circuit breaker servicing only this appliance is recommended. Do not use a multi-purpose socket with other electrical appliances. The refrigerator is equipped with a 59" long, 1/4" water hose and a 1/4" compression fitting nut.

TOP VIEW