

1. IMPORTANT SAFETY INSTRUCTIONS	2
2. INSTALLATION AND HOOK-UP	10
3. Description of the controls	20
2. Operating instructions	30
5. Cleaning and maintenance	50
6. Troubleshooting. What to do if...	53
7. Troubleshooting	58

Thank you for choosing one of our products.  
 You are advised to read this manual carefully; it contains all the information you need about the right conditions for the proper, safe use of your dishwasher.  
 The individual sections are laid out to provide you with a step-by-step guide to all your appliance's functions; the texts are easy to understand and are complete with detailed illustrations.  
 Recommendations are given for the correct use of the baskets, spray arms, containers, filters, washing programs, and for operating the controls. Following the cleaning instructions provided here will keep your dishwasher's performance at peak levels in the long term.  
 This user-friendly manual will provide answers to all your questions about use of the dishwasher.



**INSTALLATION INSTRUCTIONS:** these are intended for the **qualified technician** who must carry out the installation, hook-up and testing of the appliance.



**USER INSTRUCTIONS:** these consist of recommendations for using the appliance, a description of its controls and of the correct cleaning and maintenance procedures.



This manual includes options, programs and features that may be present on the type of dishwasher you have purchased. For the specific characteristics of your model, please refer to the manual supplied together with the product.



## TRANSLATION OF THE ORIGINAL INSTRUCTIONS

### 1. IMPORTANT SAFETY INSTRUCTIONS

#### SAVE THESE INSTRUCTIONS

- Before using the appliance, carefully read all the instructions contained in this manual.
- During installation, take care not to injure yourself on the sharp edges of the appliance: wear safety gloves.
- This manual is an integral part of the appliance; it must always be kept intact together with the dishwasher for future reference (even if sold).
- Use the dishwasher only for its intended function.
- This appliance is intended for indoor use in a household environment and similar such as staff kitchens of shops, offices and other workplaces, institutions, and for the use by guests at hotels, hostels, bed and breakfast and other residential facilities. The appliance is designed and manufactured to perform the following function: **washing and drying of dishes**; any other use shall be considered improper. **The manufacturer declines all responsibility for uses other than those described above.**
- Certified residential dishwashers are not intended for licensed food establishments.



- Do not use appliances which have been damaged during transit! If in doubt, contact your dealer.
- Do not operate your dishwasher unless all enclosure panels are properly in place.
- Do not tamper with controls.
- The appliance must be installed and connected in accordance with the instructions provided by the manufacturer. **Installation must be performed by qualified technicians in accordance with applicable regulations.**
- **The installation and repair or servicing shall be carried out by qualified and authorised technical personnel.** Interventions by unauthorised personnel can be dangerous and cause the warranty to lapse. The installation must comply with all the directives of the country where the dishwasher is installed, and in the absence of them, in the United States the National Electric Code; in Canada the Canadian Electric Code C22.1 - Latest edition/provincial and municipal codes and/or local codes
- Under certain conditions, hydrogen gas might be produced in a hot-water system that has not been used for two weeks or more. **HYDROGEN GAS IS EXPLOSIVE.** If the hot-water system has not been used for such a period, before using the dishwasher turn on all hot-water faucets and let the water flow from each for several minutes. This will release any accumulated hydrogen gas. As the gas is



flammable, do not smoke or use an open flame during this time.

- Never leave waste packaging unattended. Do not allow children to play with packaging materials. Separate waste packaging materials by type and consign them to the nearest recycling centre.
- The plate with the technical data, serial number and marking is in a visible position on the inside edge of the door. **It must not be removed.**
- The appliance must be earthed in compliance with electrical safety regulations. **The manufacturer declines all responsibility for damage to persons or property resulting from failure to earth the appliance or from a defective earth connection.**
- During the installation the appliance must be disconnected from the network.
- Do not install the appliance in a place subject to freezing.
- Do not install the appliance near equipment with high irradiation temperature (e.g. gas burners, fireplaces, etc.).
- If the appliance is installed in a compartment above or below another equipment (e.g. gas burners, ovens, etc.), read carefully the instructions provided by the manufacturer of the equipment. If the instructions of the equipment do not contain information, contact the manufacturer of the equipment to ensure that the appliance can be installed above or below it.



- Building-in the appliance underneath a cooktop is absolutely forbidden. Installing a cooktop on top of free-standing appliance is absolutely forbidden.
- To ensure stability, install the appliance only under continuous worktop, securely fixed to adjacent cabinets. If the appliance is installed in a high cabinet, both the appliance and the cabinet must be adequately fixed.
- If the appliance is not built-in and is therefore accessible on one side, the door hinge area must be covered for safety reason (injury hazard). The covering fixtures are available as an accessory from specialist dealers or the after-sales.
- Check that the voltage and the frequency of the mains match the ratings on the name plate of the appliance.
- The plug on the supply cord and the corresponding socket outlet must be of the same type and meet the regulations in force. Do not use adaptors or shunt connections in order to avoid the possibility of overheating or burning.
- The plug of the appliance must be accessible after installation. Never disconnect the plug by pulling on the power supply lead.
- If the appliance is provided with a plugless supply cord, an omnipolar circuit breaker providing a full disconnection in overvoltage protection class III must be installed in an easily accessible position on the supply lineile.



- The appliance **must** be connected to the water supply by means of new hoses.
- Briefly test the appliance after installation. Run a wash cycle with a temperature of between 113°F and 158°F (45°C-70°C) with the dishwasher empty and using a specific dishwasher detergent. (It is not sufficient to run a soak cycle). If the dishwasher fails to operate correctly, disconnect it from the electrical power supply and call the nearest technical service centre. **Never attempt to repair the appliance yourself.**
- The dishwasher should only be used by adults. Use by children aged from eight years and persons with reduced physical, sensor or mental capabilities or lack of experience and knowledge is only permitted under the supervision of a person responsible for their safety.
- To reduce the risk of injury, do not allow children to play in or on a dishwasher.
- Use only detergents or wetting agents recommended for use in a dishwasher and keep them out of the reach of children
- Keep children away from the dishwasher when the door is open. Always check that the detergent distributor is empty after completion of the wash cycle.
- Cleaning and regular maintenance of the appliance by children is only permitted under the supervision of a person responsible for their safety.



- Some detergents are strongly alkaline. Avoid contact with the skin and eyes. Detergents can be extremely dangerous if swallowed. They contain substances capable of causing permanent damage to the mouth and throat, and even leading to suffocation. Observe all the safety instructions on the packaging of these products.
- Do not drink the water residues which may be present on the dishes or appliance at the end of the washing program.
- Never place solvents such as alcohol or turpentine, which are potentially explosive, inside the appliance. Never load dishes soiled with ash, wax or paint.
- Never leave the dishwasher door open; people might trip over it.
- Do not abuse, sit on, or stand on the door or dish rack of the dishwasher.
- Switch off the dishwasher after use to avoid wasting electricity.
- Locate sharp items so that they are not likely to damage the door seal.
- Load sharp knives with the handles up to reduce the risk of cut-type injuries.
- The appliance satisfies all applicable safety regulations governing electrical equipment. Any technical checks should be conducted exclusively by trained and authorised technicians: **repairs performed by unauthorised persons not only**



**void the warranty but may also put the user's safety at risk.**

- In the event of a fault, disconnect the dishwasher from the electrical power supply and shut off the water tap. In the event of damage to the supply cord, have it replaced by the manufacturer or an authorised technical service centre.
- Some components are live even with the **on/off** button in the off position. Before performing any maintenance work on the appliance, disconnect it from the electrical power supply.
- Do not clean the machine with a water jet machine, high-pressure or steam cleaners.
- Do not introduce animals into the dishwasher.
- **Models with “acquastop” device**

This device prevents flooding in case of water leak. When the “acquastop” device is tripped, contact a qualified technician to identify and repair the fault. In these models the water intake hose contains a solenoid valve. **Do not cut the hose and do not allow the solenoid valve to drop into water.** In case of damage to the water intake hose, disconnect the appliance from the electrical and water supply.

**Warning: The device only works if the dishwasher is connected to the mains.**

## ***1.1 Disposal***

The appliance does not contain substances in quantities sufficient to be considered hazardous to health and the environment, in accordance with current European directives:

To dispose of the appliance:

- Remove the washing compartment door.
- Cut the power cable,
- Make the lock unusable.

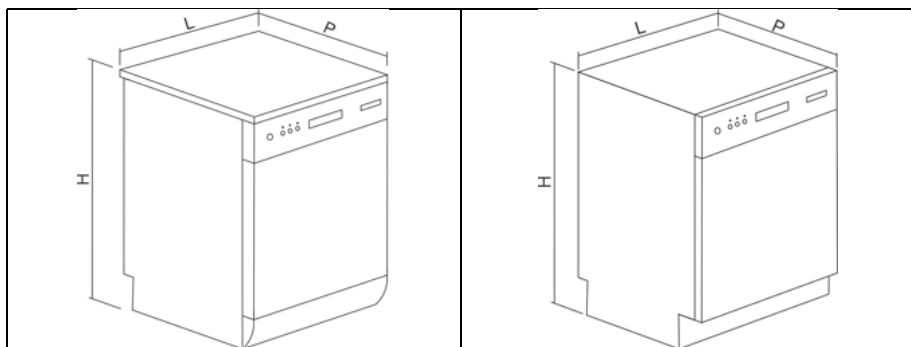
**The manufacturer declines any liability for damage or injury caused by failure to comply with the instructions indicated above or as a result of tampering with even just one part of the appliance and the use of non-original spare parts.**

## 2. INSTALLATION AND HOOK-UP

### 2.1 Technical characteristics

<b>Water supply pressure</b>	min. 0,05 - max. 0,9 MPa (min. 0.5 – max. 9 bar)
<b>Water supply temperature</b>	max. 140°F – 60°C
<b>Capacity</b>	15 standard place settings
<b>Class of protection against moisture</b>	IPX0
<b>Protection against electric shock</b>	class I
<b>Electrical data</b>	see the data plate

### Appliance dimensions



Dimensions	H	P	L
Free standing	850 mm; 33"-15/32	627 mm 24"-11/16	600 mm 23"-5/8
Free standing maxi	890 mm; 35"-3/64	627 mm 24"-11/16	
Integrated	818-888 mm; 32"-13/64-34"-61/64	584 mm 22"-63/64	
Integrated maxi	858-928 mm; 34"-31/32-36"-35/64	584 mm 22"-63/64	

## 2.2 General Information

- This appliance may be placed up against walls or other furniture units.
- If the appliance is installed near a heat source, fit a special insulating panel to prevent overheating and malfunction of the appliance.
- To facilitate the installation procedure, the intake and drain hoses can be positioned in any direction; make sure that the hoses are not kinked, crushed or pulled too tightly.
- A hole at least 8 cm (3" 5/32) in diameter is required to allow the power supply cable and hoses to pass.
- At the end of the installation, perform a short test of the appliance: open the water tap and check that there are no leaks.
- To install the dishwasher against the back wall, the hoses should be passed through the lower area where there is a dedicated space for them.



Level the appliance on the floor using the appropriate Allen key to regulate the adjustable feet. This operation is essential for ensuring correct operation of the dishwasher.



*Adjust the rear foot using an electric screwdriver, from the adjustment screw located at the bottom of the front of the dishwasher.*

Building-in a dishwasher underneath a cooktop is **absolutely forbidden**.

Moreover, dishwashers **may not** be installed directly touching appliances which are **not conventional** built-in kitchen appliances (e.g. fireplaces, stoves, etc.).

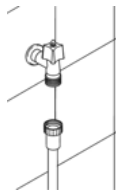


When installing the dishwasher in a compartment next to one or more other appliances, it is essential to comply with all the recommendations provided by the appliance's manufacturer (minimum distances, installation procedures, etc.).

## 2.3 Water supply connection

### CONNECTING TO THE WATER SUPPLY

Connect the intake hose to a cold water supply with  $\frac{3}{4}$ " gas thread. **Take care to screw the hose firmly into place with your hands and then complete by tightening about  $\frac{1}{4}$  of a turn with pliers.**



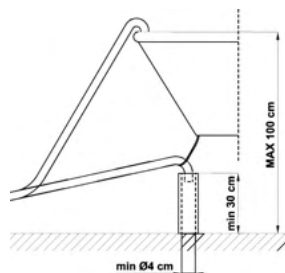
The dishwasher can also be connected to a hot water supply **not exceeding 60°C (140°F)**. Supplying the appliance with hot water cuts down the washing time by approximately 20 minutes, but slightly reduces its effectiveness. Make the connection to the domestic hot water supply using the same procedure described for connecting to the cold water supply.

## DRAIN CONNECTION

Insert the dishwasher's drain hose into a drain pipe having a diameter of at least **4 cm (1"37/64)**, or alternatively, place it inside the kitchen sink using the plastic support provided, taking care not to crush or excessively bend the hose. It is important to prevent the hose from coming loose and falling. For this purpose, the plastic support is equipped with a hole for tying it to the wall or water tap.

The free end should be positioned at a height of between **30 and 100 cm (11" 13/16 and 3' 3" 3/8)**, and should never be submerged in water.

If a horizontal drain extension hose is used (for a maximum 3 m - 9' 10" 7/64 ), the drain hose can be placed at a maximum height of **85 cm (2' 9" 15/32)** from the ground.



## 2.4 *Electrical connection*



Check that the voltage and the frequency of the mains match the ratings on the name plate of the appliance positioned on the inner edge of the door.

- This appliance must be grounded. In the event of a malfunction or breakdown, grounding will reduce the risk of electric shock by providing a path of least resistance for electric current. This appliance is equipped with a cord having an equipment-grounding conductor and a grounding plug. The plug must be plugged into an appropriate outlet that is installed and grounded in accordance with all local codes and ordinances.

**WARNING** – Improper connection of the equipment-grounding conductor can result in a risk of electric shock. Check with a qualified electrician or service representative if you are in doubt whether the appliance is properly grounded. Do not modify the plug provided with the appliance, if it will not fit the outlet, have a proper outlet installed by a qualified electrician.

- The plug must be accessible after installation.
- **Never disconnect the plug by pulling on the power supply lead.**
- After changing the supply cord, make sure that the bracket which secures the cord is fixed securely in place.

- **Do not use adaptors or shunt connections** in order to avoid the possibility of overheating or burning.



***The power cable must be replaced by the manufacturer or by an Authorized Service Centre.***

## **ELECTRICAL CONNECTION WITH JUNCTION BOX**

**Follow all the instructions, including those in the user manual. These instructions are an integral part of the appliance. Keep them for future reference (including in the event of sale).**

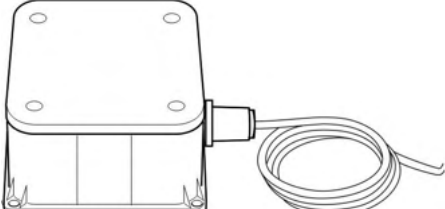

*The junction box must conform to the characteristics indicated, shape, terminals and cable gland may differ depending on the model actually used.*

*Important: follow the cable connection instructions indicated below.*

The appliance must be installed in accordance with the manufacturer's instructions and in compliance with the electrical specifications indicated on the data plate (located on the right-hand side of the door) and all regulations in force in the country where the dishwasher is to be installed; the National Electric Code in the United States and the Canadian Electric Code C22.1 in Canada – Latest edition/provincial and municipal codes and/or local codes.

These instructions refer only to the type of electrical connection described herein, which must be performed by a qualified technician. The appliance must be

earthed in accordance with electrical safety regulations. The manufacturer accepts no liability for injury or damage resulting from failure to provide a proper earth connection.

Junction box Minimum features: IP55-UL94V0	Needed tools
	

## WARNING!

Avoid the risk of electric shock or fire.

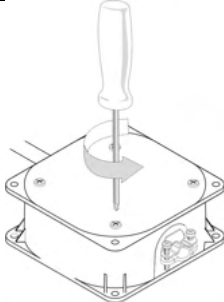
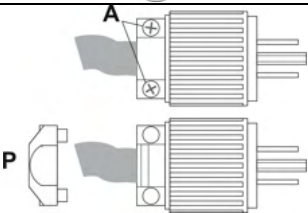
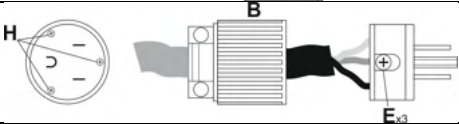
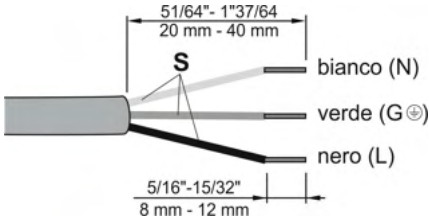
Do not work on live circuits, risk of serious injury or death.

For the qualified technician making the connection:

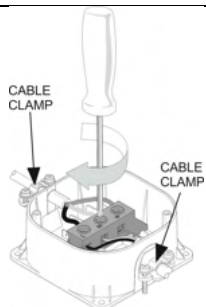
- Check that the connections have been made correctly;
- Check that the power cable is not damaged, e.g. kinked, piched, etc.
- Check that the electrical connections are sufficiently and correctly tightened;
- Do not remove, modify or bypass the terminal block;
- Do not cut or splice the cable;
- Do not use extensions cables or adapters of any kind;
- Use the junction box cabel grip correctly.

## DISHWASHER ELECTRICAL DATA

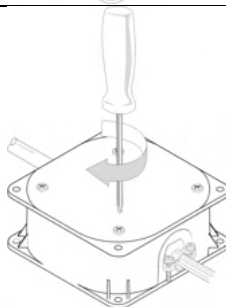
Volt	Hertz	Amperes	Watt
115	60	13	1300 (max)

<p>Remove the screws and junction box cover</p>	
<p>Disconnect the system from the power supply. Remove the plug: Loosen and remove the screws "A"; Remove the cable grip "P»</p>	
<p>Unscrew the 3 screws «H» Remove the casing «B» Unscrew the 3 screws «E» to release the wires.</p>	
<p>Insert the wires in the terminal block, taking care to connect black to black (L), white to white (N) and green to green (G); Make sure that the insulation (S) of the wires does not become caught in the terminal. 1-2 mm (0,4"-0,78") of copper wire should be visible; After inserting the wires, tighten the terminal screws fully; Pull on each wire to make sure they are all secure.</p>	

Secure the wires in the junction box using the cable clamp.



Close the junction box,  
Connect to the system.

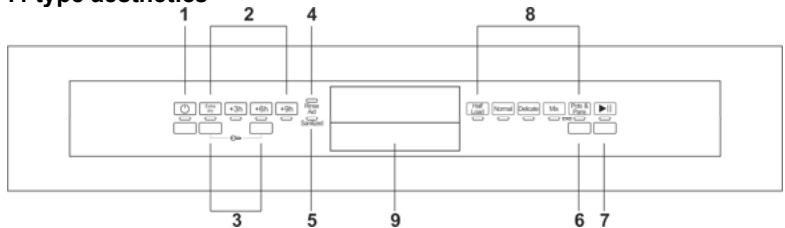


## 3 Description of the controls

### 3.1 Front panel

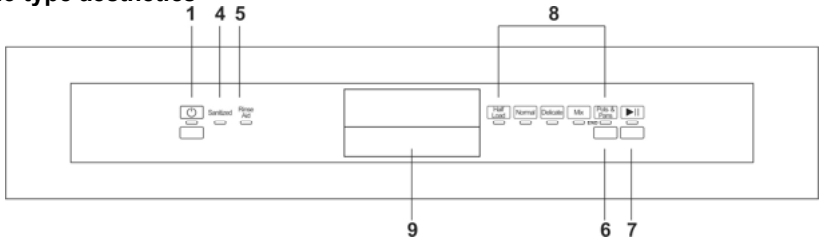
All the dishwasher controls are grouped on the front panel. Programming and option selection are only possible with the **door closed**.

#### i4 type aesthetics



1	<b>ON/OFF BUTTON AND WARNING LIGHT</b>
2	<b>OPTION SELECTION BUTTONS AND WARNING LIGHTS</b>
3	<b>“CHILD LOCK” ACTIVATION BUTTONS</b>
4	<b>NO RINSE AID LIGHT (some models only)</b>
5	<b>SANITATION INDICATOR LIGHT</b>
6	<b>PROGRAM SELECTION BUTTONS</b>
7	<b>START/PAUSE BUTTON</b>
8	<b>PROGRAM INDICATOR LIGHTS</b>
9	<b>HANDLE TO OPEN THE DOOR</b>

## i5 type aesthetics



<b>1</b>	<b>ON/OFF BUTTON AND WARNING LIGHT</b>
<b>2</b>	<b>Not present</b>
<b>3</b>	<b>Not present</b>
<b>4</b>	<b>SANITATION INDICATOR LIGHT</b>
<b>5</b>	<b>NO RINSE AID LIGHT (some models only)</b>
<b>6</b>	<b>PROGRAM SELECTION BUTTONS</b>
<b>7</b>	<b>START/PAUSE BUTTON</b>
<b>8</b>	<b>PROGRAM INDICATOR LIGHTS</b>
<b>9</b>	<b>HANDLE TO OPEN THE DOOR</b>

The number, type and the sequence of wash programs depend on the model purchased. Refer to the instruction manual supplied together with the product.

## **SOAK**

Pans and dishes while waiting for another wash cycle

## **½ LOAD**

For washing just a few normally soiled dishes, washed immediately after use

## **MIX 65°**

Normally soiled mixed loads such as dishes and pans, even with dried-on residues

## **HYGIENE**

Intensive cycle for plates, pots, pans, feeding bottles. Ideal for baby dishes or if there are allergy sufferers in the family in order to achieve a higher level of hygiene.

## **AUTO SENSOR**

For normally soiled mixed loads such as dishes and pans. The dishwasher determines the washing parameters automatically.

## **GREEN EXPRESS**

Quick cycle with low water and energy consumption. For normally soiled mixed loads, washed immediately after use.

## **CRYSTAL 45°**

Wine glasses and lightly soiled fine china.

## **DELICATE 50°**

Wine glasses and lightly soiled dishes.

## **EXPRESS 27'**

Quick cycle for lightly soiled dishes, washed immediately after use.

## **SILENT**

Normally dirty dishes, even with dried-on residues. Ensures maximum noise reduction and is therefore ideal if you wish to run it during the night.

## **FULL EXPRESS 60'**

Quick cycle for normally soiled mixed loads such as dishes and pans, even with dried-on residues. Dishes are washed and dried in 60 minutes.

## **INTENSE 70°**

Heavily soiled plates, pots and pans, even with dried-on residues



*If the dishwasher door is open or not properly closed, the washing cycle will not start.*

## HYGIENE

Increases the temperature of the final rinse to obtain a greater level of hygiene. Suitable for the intensive washing of plates, pots, pans, cutting boards, feeding bottles. Ideal for baby dishes or if there are allergy sufferers in the family.

## AUTOMATIC DOOR OPENING – DRY ASSIST

**(by default on the ENERGY STAR reference program)**

**(it may be included in other programs, please refer to the manual supplied with the product).**

The program ends with a drying cycle that consists of a time during which the door is closed, and a time during which the door is slightly open (just waiting, to assist drying). The duration depends on the program and model.

Any intervention (opening / closing the door, switching off etc.) during this stage will end the program early.

The program can be interrupted during the drying cycle and the dishwasher can be unloaded before the cycle has completely ended, which is indicated by a visual and/or audible alarm (depending on the model), but best drying results may not be obtained.

**The complete program ends only when indicated by a visual and/or audible signal (depending on the model).**



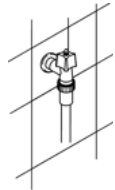
**There must be sufficient space available for the door to open. The door must not be forced open and closed before the wash cycle has ended completely.**

## 3.2 Washing programs



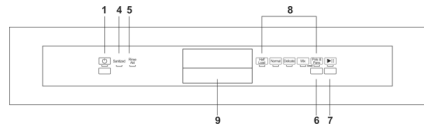
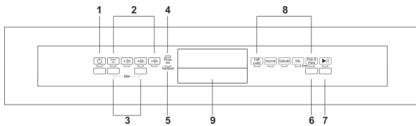
**Before starting a washing program make sure that:**

- The water supply tap is **open**.
- The softener **container** contains **regenerating salt**.
- The **correct amount of detergent** has been added to the **dispenser**.
- The baskets have been **correctly loaded**.
- The spray arms are able to **rotate freely** and without obstruction.
- The dishwasher door is **securely closed**.



**Warning:**

during the initial phase of the washing program, the operation of sprayers is not perceived because they start rotating about 5 minutes after the start. This is the normal operation of the washing cycle.



### SWITCHING ON

Press the on/off button to start the dishwasher. Then wait for one of the program indicator light to turn on.

### IMPORTANT

The door of the dishwasher must **be closed within 4 seconds after use of the program selection button** for all functions (e.g. program selection, change, deletion, etc.). If the door is not closed within 4 seconds, **one or more program lights** (depending on the current operation) **will flash at high speed** to indicate that **the operation must be confirmed** before the door is closed.

To **confirm, simply press the program selection button once** and the flashes will slow down; close the door once to start/restart the dishwasher.

The same applies if the dishwasher is opened **with the program delay option set and the cycle not started** (e.g. to add more dishes): **the program selection button must be pressed before the door is closed**, restarting the program delay countdown.

If the door of the dishwasher has not been closed or has been incorrectly closed, the washing cycle will not begin.

When the **ON/OFF** button (1) is pressed, the dishwasher switches on. The indicator lights will display the dishwasher's "status".

## PROGRAMMING

Programming operations are only possible with the **door closed**. As long as the door is open, the **PROGRAMS (8)** lights remain off.

## PROGRAM SELECTION

Press the **PROGRAM SELECTION** button (7) several times until the light of the program required comes on.

## STARTING THE PROGRAM

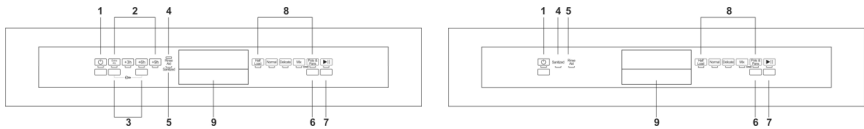


To start the dishwasher, press the **START/PAUSE** button (6) for a few seconds, until the light of the selected program starts to flash (confirmation beep).

The light will flash as long as the program is in progress, to indicate that it is being performed.

## END OF PROGRAM

At the end of the program the beeper sounds briefly and the program **lights 4 and 5** (marked "end") flash.



## INTERRUPTION A PROGRAM

To interrupt a program in progress:

- press the **START/PAUSE** button (6); the light of the program in progress remains on (confirmation beep);
- you may now restart the program by pressing button (6) again until it restarts, or change or annul the program (see "**CHANGING A PROGRAM**", or "**ANNULLING A PROGRAM**").

## CHANGING A PROGRAM

To change the running program it is necessary:

- to interrupt the running program (see "**INTERRUPTION A PROGRAM**");
- select the new program;
- start the program (see "**STARTING THE PROGRAM**").

## ANNULLING A PROGRAM

To annul the program, keep the **START/PAUSE** button (6) pressed until the program is interrupted (light on and confirmation beep).

Press button (6) again and keep it pressed until the

**lights 4 and 5** (marked "end") come on.

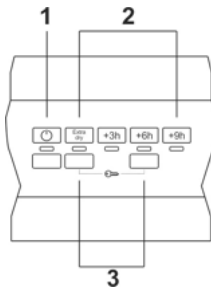
■-END-■

The water in the tank will be pumped out and the program will end at the point where it was interrupted.



*In case that the door is opened during the operation, to the next door closing it is going to be necessary to start the program as shown in paragraph "STARTING THE PROGRAM". The program will resume from the point in which it was interrupted.*

***In case that the tub temperature is higher than 50°C the program will start about 60 seconds later.***



## OPTION SELECTION

Options are selected by pressing the relative button by the symbol of the option required; the light comes on to confirm that the option has been activated.

Options are selected by pressing the relative button by the symbol of the option required; the light comes on to confirm that the option has been activated.

All the options are **deactivated** at the end of the wash cycle.

Option		Description
1	<b>SPECIAL</b>	Creates additional programs.
2	<b>DRY ASSIST</b>	Allows the dishes to be dried perfectly even at low rinse temperatures, with significant energy savings. It starts automatically if the selected program is compatible with it. If it is not required, press the button to disable it.
3	<b>EXTRA DRY</b>	Modifies some of the parameters to ensure improved drying.
4	<b>½ LOAD FLEXY ZONE</b>	Ideal if just a few dishes need to be washed, allowing energy savings and a shorter wash cycle.
5	<b>DELAY</b>	Allows the wash cycles 1 or 3 to be delayed by up to 9, 12 or 24 hours depending on the models.
6	<b>SELF CLEAN</b>	Dishwasher cleaning cycle. Must be started with the machine empty, without dishes.
7	<b>VERROUILLAGE ENFANT</b>	Turn command lock on and off



## **SPECIAL (if present)**

Allows you to enable additional programs when selected together with any wash cycle. After having selected the required wash cycle, press the button (the light turns on). It turns off automatically when the cycle has finished.

## **DELAY (if present)**

Press the **DELAY** button to set the dishwasher cycle to start during the required time period (e.g. night). According to the model, this may be indicated on the display or by specific lights. **The option cannot be selected once the cycle is running.** To cancel the setting, press the button several times until the lights switch off or until the number on the display is reset. After the door has been closed, the dishwasher will carry out a pre-wash cycle, after which the set “cycle delay” option will be activated.

## **DRY ASSIST (if present)**

It starts automatically if the selected program is compatible with the option. It can be disabled before starting the program.

The door opens automatically, allowing the dishes to be dried perfectly even at low rinse temperatures, and therefore resulting in significant energy savings. The first part of the drying cycle takes place with the door closed. The door then opens automatically by a few centimetres. Any intervention (opening / closing the door, switching off etc.) during the drying cycle (both when the door is closed or open) will end the program early.

The program can be interrupted during the drying cycle and the dishwasher can unloaded before the cycle has completely ended, which is indicated by a visual and/or audible alarm (depending on the model), but best drying results may not be obtained.

**The complete program ends only when indicated by a visual and/or audible signal (depending on the model).**



**There must be sufficient space available for the door to open. The door must not be forced open and closed before the wash cycle has ended completely.**

## **½ LOAD FLEXI ZONE (if present)**

Ideal if just a few dishes need to be washed, allowing energy savings. The dishes should be placed in both baskets and less detergent should be placed in the detergent dispenser compared to the amount used for a full load.

## **EXTRA DRY (if present)**

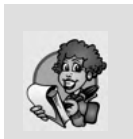
The option modifies the parameters to ensure improved drying.

Suitable for loads that contain dishes that are difficult to dry such as pots, non-stick pans and plastic containers.

## SELF CLEAN (if present)

Dishwasher cleaning cycle. The cycle should be started with the machine empty, without dishes. It is recommended to run the program every 2-3 months, using special dishwasher detergents. The light flashes during operation. At the end of the cycle it remains on and cycle lights **4 and 5** flash.

The display (if available) shows "End".



*"Some dishwasher models are fitted with lights inside the chamber. The lights come on when the door is opened by about 35 cm. The light switches off when the door is closed. If the door is left open, the light will turn off automatically after approximately 14 minutes."*

## SELF CLEAN (if present)

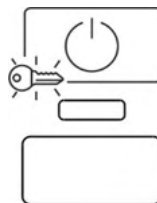
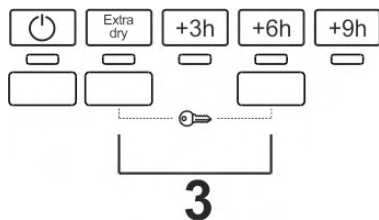
Dishwasher cleaning cycle. The cycle should be started with the machine empty, without dishes. It is recommended to run the program every 2-3 months, using special dishwasher detergents. The light flashes during operation. At the end of the cycle it remains on and cycle lights **4 and 5** flash.

The display (if available) shows "End".



## "CHILD LOCK" OPTION

By pressing the indicated buttons **(3)** at the same time, the controls are locked, which is confirmed by the flashing **ON/OFF (1)** warning light. This option stays active (and the warning light keeps flashing) until the buttons **(3)** are pressed again.





## **TO SAVE ON ENERGY! ... AND PROTECT THE ENVIRONMENT**

- *If the manufacturer's instructions and recommendations are followed, washing the same number of similarly soiled dishes in a dishwasher consumes less water and energy than if they were washed by hand.*
- *Always use the dishwasher **with a full load**.*
- *Load the dishwasher as indicated in the instructions manual. If the dishwasher is loaded incorrectly, it may lead to poor results as well as waste water, energy and detergent.*
- *Do not wash dishes under running water before placing them in the dishwasher. It would just waste water and energy.*
- *Use the washing program that is **most appropriate** for each type of load.*
- *If available, connect the dishwasher to a hot water supply up to 60°C. If the manufacturer's instructions and recommendations are followed, washing the same number of similarly soiled dishes in a dishwasher consumes less water and energy than if they were washed by hand.*



## **TO CUT DOWN ON DETERGENT CONSUMPTION! ... AND PROTECT THE ENVIRONMENT**

*The phosphates contained in dishwasher detergents are harmful to the environment. To avoid using excessive amounts of detergent and to save on electricity, observe the following:*

- ***separate the more delicate items** from dishes that are more resistant to aggressive detergents and high temperatures;*
- ***do not pour** detergent directly onto the dishes.*



*If the door has to be opened while washing is in progress, the program will be interrupted. The relative light will keep flashing and a beeper will signal that the cycle has not been completed. You must wait about **1 minute** before closing the door to restart the program. When the door is closed the program will continue from where it was interrupted. This operation should only be carried out **if strictly necessary**, because it might cause problems in execution of the program.*

## 4 Operating instructions

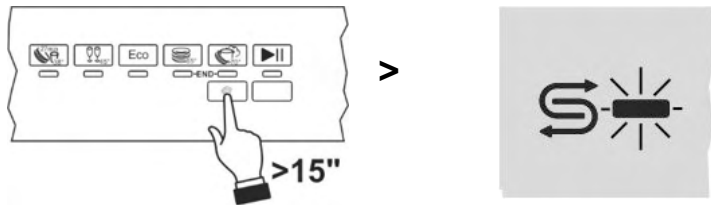
After having installed the dishwasher, remove the basket retainers and prepare the machine for use as follows:

- Regulate the water softening system;
- Add regenerating salt;
- Add rinse aid and detergent.

### 4.1 Setting the water hardness

The dishwasher must be **switched on** and the door closed.

- Press and hold the **program selection button (6)** until the **water hardness adjustment indicator light** flashes.
- The **program indicator lights (8)** will indicate the current setting.
- Each press of the program selection button **(6)** modifies the setting according to the following table.



After carrying out the adjustment or displaying the current setting, if you do not touch the button for a few seconds the dishwasher will automatically exit from adjustment mode and return to the standard operating mode.

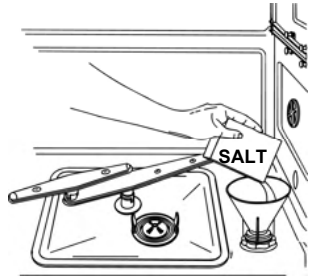
WATER HARDNESS		SETTINGS		
German degrees (°dH)	French degrees (°dH)			
0 – 6	0 – 11	<b>H0</b>	All indicator lights off	□ □ □ □ □
7 – 10	12 – 18	<b>H1</b>	One indicator light on	■ □ □ □ □
11 – 15	19 – 27	<b>H2</b>	Two indicator lights on	■ ■ □ □ □
16 – 21	28 – 37	<b>H3</b>	Three indicator lights	■ ■ ■ □ □
22 – 28	38 – 50	<b>H4</b>	Four indicator lights on	■ ■ ■ ■ □
29 - 50	51 – 90	<b>H5</b>	Five indicator lights on	■ ■ ■ ■ ■

Contact your local water board for information on the hardness of your water supply. Default settings: **H3 - 16-21°dH – 28-37°dF**

## 4.2 Adding the salt



The amount of scale contained in the water (water hardness index) can cause whitish staining on the dry dishes, which tend to become dull over time. The dishwasher is equipped with an automatic softening system which uses a special regenerating salt to reduce the hardness of the water.



When using water of medium hardness, the regenerating salt container should be refilled after approximately **20 washing cycles**. The salt container can hold approximately **1 kg** of salt in grains. Some models are equipped with an optical no-salt indicator. In these models, the cap of the salt container contains a green float which descends as the salt concentration in the water drops. When the green float can no longer be seen through the transparent cap, the container must be topped up with regenerating salt. The container is situated at the bottom of the dishwasher.

The salt prevents the formation of scale deposits.

- Remove the lower basket.
- Unscrew the cap of the salt container by turning it anticlockwise.
- When using the dishwasher for the first time, fill the container with a litre of water.
- Pour salt (approx. 1 kg) into the container using the funnel provided with the dishwasher.
- When finished, remove any salt residues before screwing the cap back on.



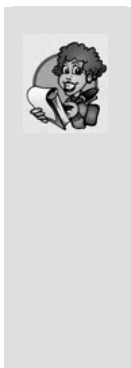
*In order for the water softening system to give fault-free service, the appliance performs a regeneration cycle of the system at regular intervals.*

*The regeneration process consists of several stages. It starts at the end of the last rinse cycle, after the amount of water indicated in the mains water hardness setting has been reached during the wash cycle, and finishes at the beginning of the following wash cycle.*

*The regeneration process increases the cycle time and consumption of water and electricity.*

*Below is an overview of consumption of regeneration the softening system using the Eco program with a water hardness setting of H2.*

Water consumption according to model [refer to the programs table] (litres)	Regeneration frequency (number of cycles)	Water consumption during regeneration (litres)		Energy consumption during regeneration (Wh)		Duration of the regeneration process (min)	
		At the end of the last rinse	At the beginning of the following wash cycle	At the end of the last rinse	At the beginning of the following wash cycle	At the end of the last rinse	At the beginning of the following wash cycle
7	8	0.2	4 (10x0.4 litres)	0.3	1.2	6	4



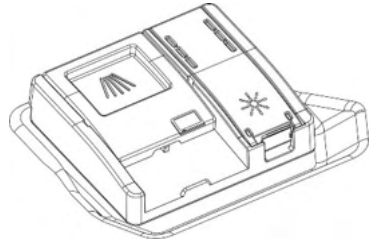
- *Each time the salt container is refilled, make sure that **the cap is securely closed**. The mixture of water and detergent must never penetrate the salt container, as this would compromise the operation of the regeneration system. In this case warranty cover will be forfeited.*
- ***Only use regeneration salt specifically for domestic dishwashers. Do not use table salt**, since it contains insoluble substances that could damage the water softener system.*
- *After having added salt, run a wash cycle to remove any excess salt. In this way, the excess saline solution will be immediately removed by the water; the prolonged presence of salt water inside the tank may lead to **corrosion**.*



**Be careful not to confuse the salt and detergent packages;** adding detergent to the salt container will **damage** the water softening system.

## 4.3 Adding the rinse aid

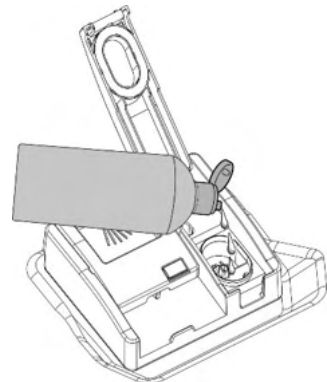
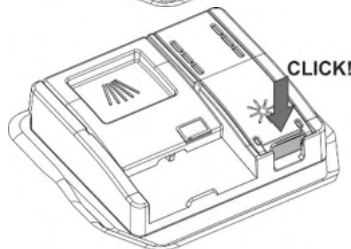
The detergent and rinse aid dispensers are situated on the inner part of the door: the **detergent dispenser** is on the left, and the **rinse aid dispenser** is on the right.



The rinse aid helps the dishes dry faster and prevents the formation of scale deposits and staining; it is automatically added to the water during the final rinse cycle, from the container situated on the inner side of the door.

To add rinse aid:

- Open the dispenser by pressing and lifting the tab on the cover.
- Top up again when the rinse aid indicator light turns on.
- Close the cover, a click indicates when it is closed.
- Use a cloth to remove any spillage of rinse aid which might lead to the formation of excess foam.

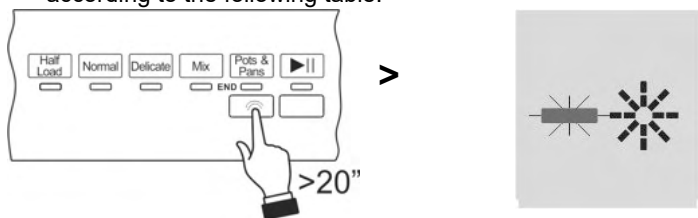


## Adjusting the rinse aid dispenser mode

### ADJUSTING THE RINSE AID DISPENSER MODE

The dishwasher must be **switched on** and the door closed.

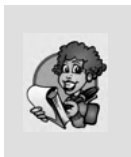
- Press and hold the **program selection button (6)**,
- after approximately 15 seconds the salt light flashes,
- **press and hold** the **program selection button (6)** until the **rinse aid indicator light** flashes.
- The **program indicator lights (8)** will indicate the current setting.
- Each press of the **program selection button (6)** modifies the setting according to the following table.



After carrying out the adjustment or displaying the current setting, if you do not touch the button for a few seconds the dishwasher will automatically exit from adjustment mode and return to the standard operating mode.

RINSE AID ADJUSTMENT TABLE			
0 – not dispensed	<b>b0</b>	All indicator lights off	
minimum 2 ml	<b>b1</b>	One indicator light on	
3 ml	<b>b2</b>	Two indicator lights on	
4ml	<b>b3</b>	Three indicator lights on	
5ml	<b>b4</b>	Four indicator lights on	
maximum 6 ml	<b>b5</b>	Five indicator lights on	

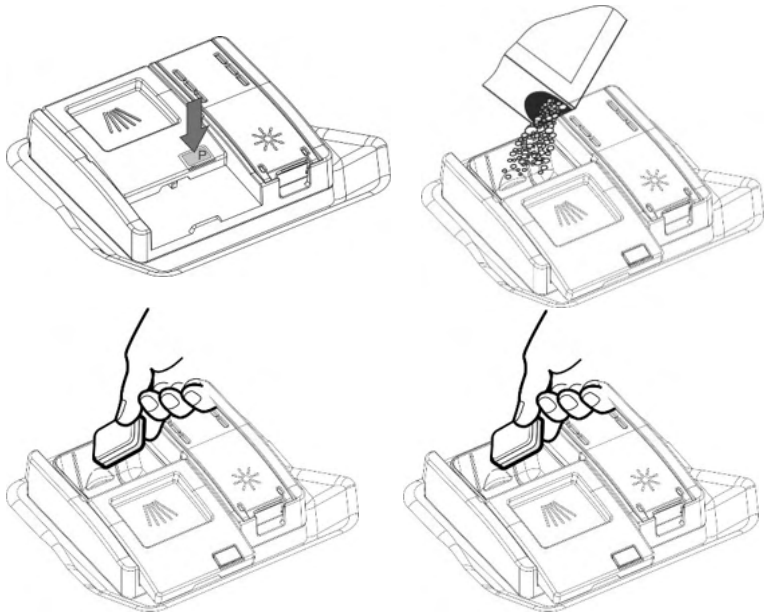
Default settings: **b4 - 5 ml**



- *The amount of rinse aid must be **increased** if the washed dishes appear dull or feature circular stains.*
- *If, on the other hand, the dishes are sticky or have white streaks, it is necessary to **reduce** the rinse aid setting.*

## 4.4 Adding the detergent

- Open the detergent dispenser cover by lightly pressing the button **P**.
  - Add the detergent or tablet.
  - Close the cover by sliding it until it stops, indicated by a click.
- The dispenser will open automatically during the wash cycle. Only add the detergent or tablet if the dispenser is dry.



With the exception of the **SOAK** program, before every washing cycle it is necessary to add the required amount of detergent to the **detergent dispenser**. The rinse aid, on the other hand, should only be added as required.



- *When a program with a hot pre-wash is selected (see program table), extra detergent must be placed in the cavity.*
- *Use **only** detergents specially formulated for dishwashers.*
- *The detergent packs must be sealed and stored in a dry place to prevent the formation of lumps which may negatively affect washing results. Once opened the detergent packs should not be kept for too long, otherwise the detergent loses its effectiveness.*
- *Do not use detergents for washing dishes by hand because they may affect the operation of the dishwasher.*
- *Add the correct amount of detergent. An insufficient amount of detergent will result in a partial removal of dirt from the dishes, whereas an excessive amount is wasteful and does not improve the washing results.*

*For the safeguarding of the environment we recommend the use of **phosphate- and chlorine free** detergents.*



***The introduction of detergent into the rinse aid dispenser, even in liquid form, will damage the dishwasher.***

## 4.5 General warnings and recommendations



*Before using the dishwasher for the first time, it is advisable to read the following recommendations concerning dish types to be washed and their loading.*

*There are generally no constraints on the washing of domestic dishes, but in certain cases it is necessary to take their characteristics into account.*

*Before loading the dishes into the baskets it is necessary to:*

- *remove coarse food remains: e.g. bones, fish-bones, etc. which may clog the filter or damage the wash pump.*
- *soak any pots or pans with burnt-on food remains on the bottom to facilitate removal, then load them into the **lower** basket.*

*There is no need to pre-wash the dishes under running water before loading them into the baskets since this only wastes water.*

***Correct loading of the dishes helps ensure optimal washing results.***



## **WARNING!**

- *Make sure that the dishes are securely in place so that they cannot tip over or obstruct the rotation of the spray arms during the washing cycle.*
- *Do not place very small objects in the baskets as these could fall and obstruct the spray arms or the wash pump.*
- *Containers such as cups, bowls, glasses and pots should always be loaded with the opening facing downwards and with any cavities at an angle, to allow the water to drain out.*
- *Do not stack dishes or place them in such a way that they cover one other.*
- *Do not place glasses too close together because they may knock against each other and break, or there might be staining at the point where they touch.*

**MAKE SURE that the items being washed are dishwasher-safe.**

### **Items which are not dishwasher-safe:**

- **Wooden dishes, pots or pans:** *these may be damaged by the high washing temperatures.*
- **Handcrafted items:** *these are rarely suitable for washing in a dishwasher. The relatively high water temperatures and the detergents used may damage them.*
- **Plastic dishes:** *heat resistant plastic dishes must be washed in the upper basket.*
- **Dishes and objects in copper, tin, zinc or brass:** *these tend to stain.*
- **Aluminium dishes:** *items made of anodised aluminium may lose their colour.*
- **Silverware:** *silver items may stain.*
- **Glass and crystal:** *in general, glass and crystal objects can be washed in the dishwasher. However, certain types of glass and crystal may become dull and lose their clearness after many washings. Therefore, for these items we recommend using the least aggressive program available.*
- **Decorated items:** *the decorated objects available on the market are generally able to withstand washing in the dishwasher, although the colours may fade after many washes. If in doubt as to the fastness of the colours, it is advisable to wash just a few items at a time for approximately one month.*

## 4.6 Using the baskets

The dishwasher has a capacity of **15 place-settings**, including serving dishes.

### LOWER BASKET

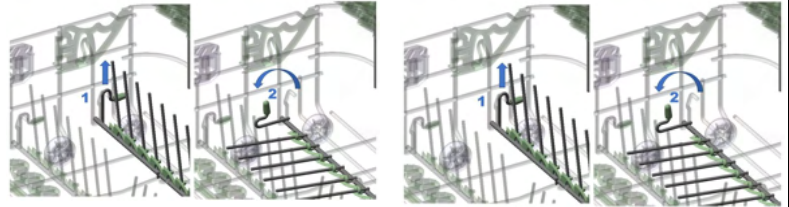
The lower basket receives the full force of the lower spray arm, and should therefore be used for the “toughest” items with a heavier degree of soiling.



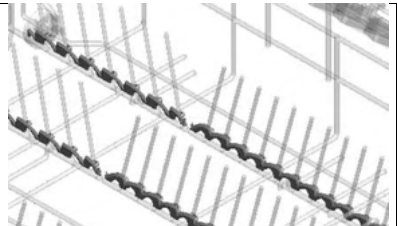
All types and combinations of loads are permitted, provided that the dishes, pots and pans are arranged with all the soiled surfaces exposed to the water jets coming from the bottom.

Depending on the models, the basket may be equipped with some or all of the following accessories:

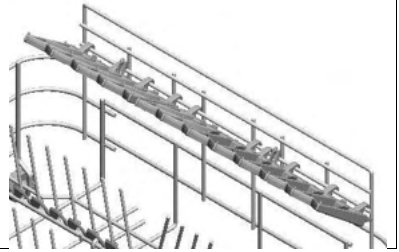
Plate racks, which can be laid flat when not in use (e.g. to accommodate pans, bowls, etc.). To stow the racks flat, pull them upward and turn them towards the inside of the basket.



Anti-drip inserts which improve the drying of dishes. They may be supplied fitted on the basket or in the accessories bag; in this case, to use them, simply fit them into place as shown.

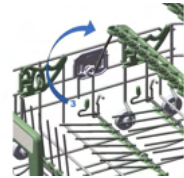
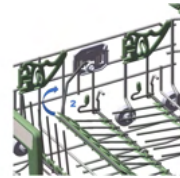
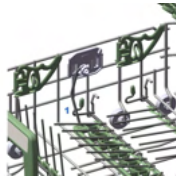


Supports for cups and long objects (ladles, spoons, etc.), in the rear; can be tipped to the vertical position when not in use.



**Wine pro.** Support for long-stem glasses. When lifted out of the stowed position (0) it snaps into three different positions (1-2-3).

5 + 4 balloon or  
6 + 5 flûte



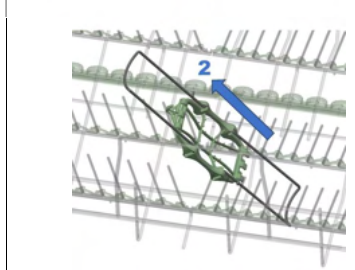
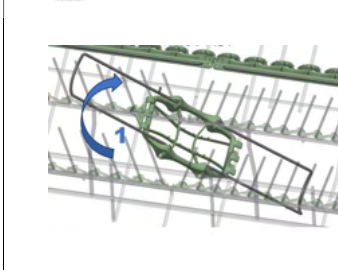
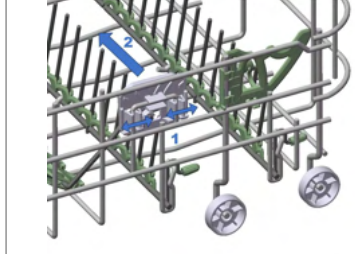
**MultiLoad** side supports, suitable for supporting drip trays, baking trays, pans, etc. in an inclined position.



**ProFlexHolder**, specifically designed to hold decanters, bottles or flasks in a vertical position.



Disassembling accessories



## LOADING THE LOWER BASKET

Carefully load flat plates, soup plates, dessert and serving dishes, positioning them vertically. Pots, pans and their covers must be loaded upside down. When loading soup plates and dessert bowls, be sure to leave a gap between them.

### Loading examples:

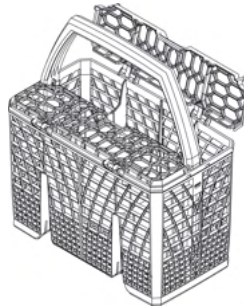


## CUTLERY BASKET (on some models only)

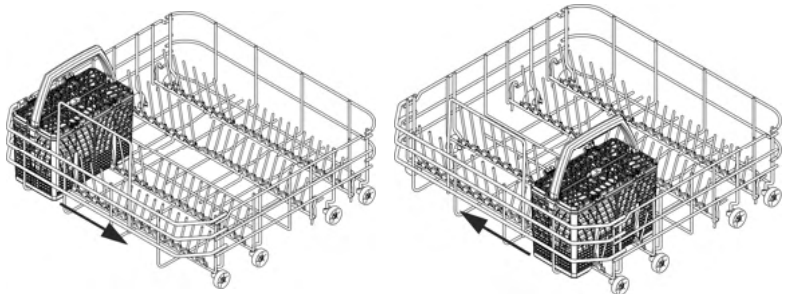
The basket is suitable for all types of cutlery, except long items that may **interfere** with the upper spray arm. The cutlery should be arranged in the spaces in the upper racks to allow the water to pass effectively between the items.

**Forks and spoons** should be positioned with the **handle facing downwards**, taking care not to injure yourself with the prongs of the forks. **Knives** should be placed in the tray on the upper rack or in the cutlery drawer, if present (depending on the model), otherwise position them with the **handles facing upwards**.

Ladles, wooden spoons and kitchen knives can be placed on the upper rack, **making sure that the blades of the knives do not protrude from the basket**. The upper racks can be opened in order to insert, for example, small items.



The cutlery basket slides across the dishwasher and can be **placed in any position** to allow optimal use of the space in the bottom basket.

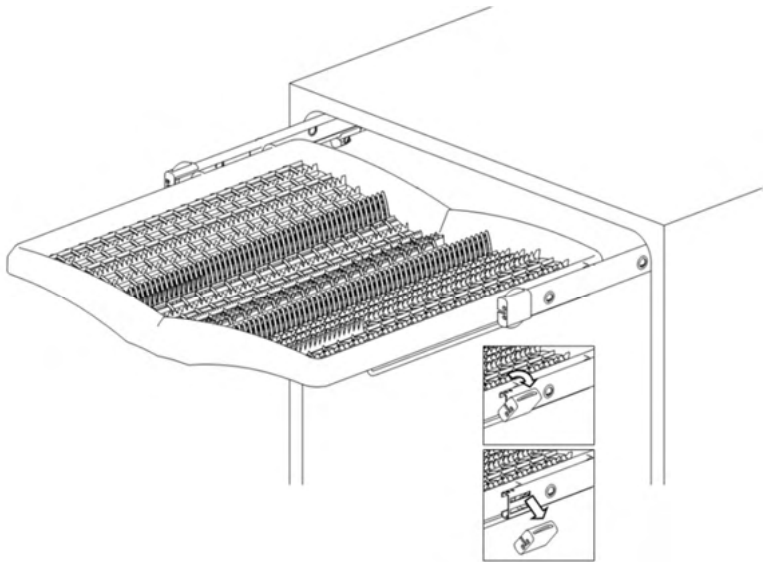


## **TOP CUTLERY BASKET (on some models only)**

The basket is designed to take cutlery, placed in the spaces provided, and long utensils, positioned lengthwise.

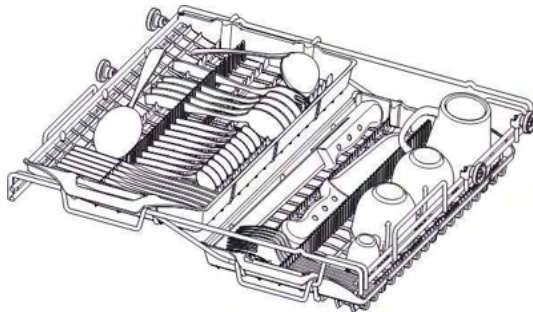
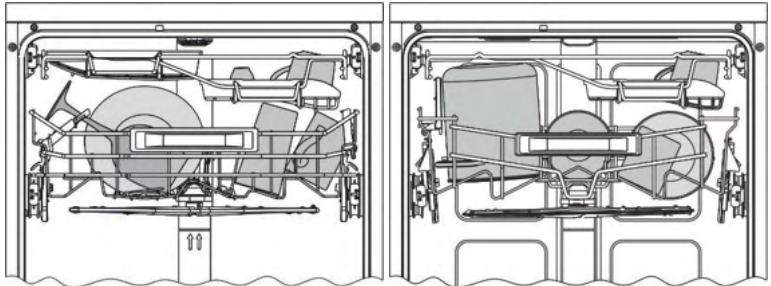
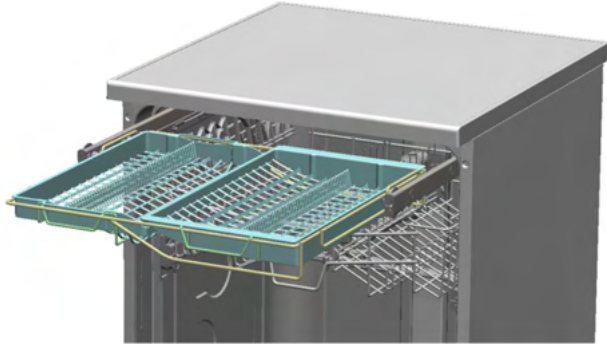
The “drawer” extraction system makes the basket easier to load, but it can also be taken completely off its runners by removing the retainers (as shown here).

Take great care to replace the retainers to ensure that the basket does not come off the runners accidentally.

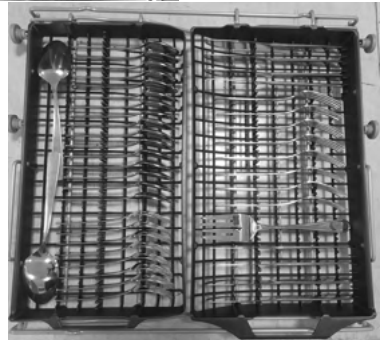
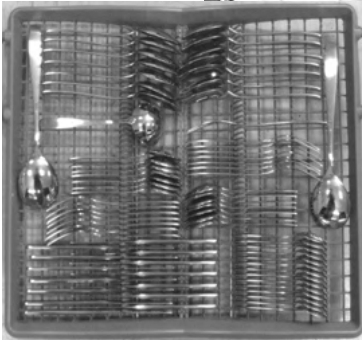
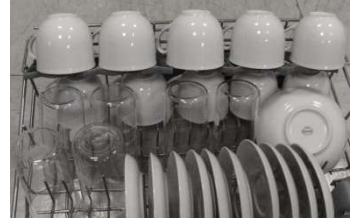


## **FLEXIDUO TOP CUTLERY BASKET (on some models only)**

This comprises **two independent** sliding, pull-out tray racks for easier loading/unloading of cutlery. Various loading systems and configurations are possible. For example, **tea cups** can be loaded with the **right-hand** rack set in the **low position**, while the left-hand rack or both can be removed to allow **large dishes** to be put in the **top basket**.



## Examples of loading (depending on the models)

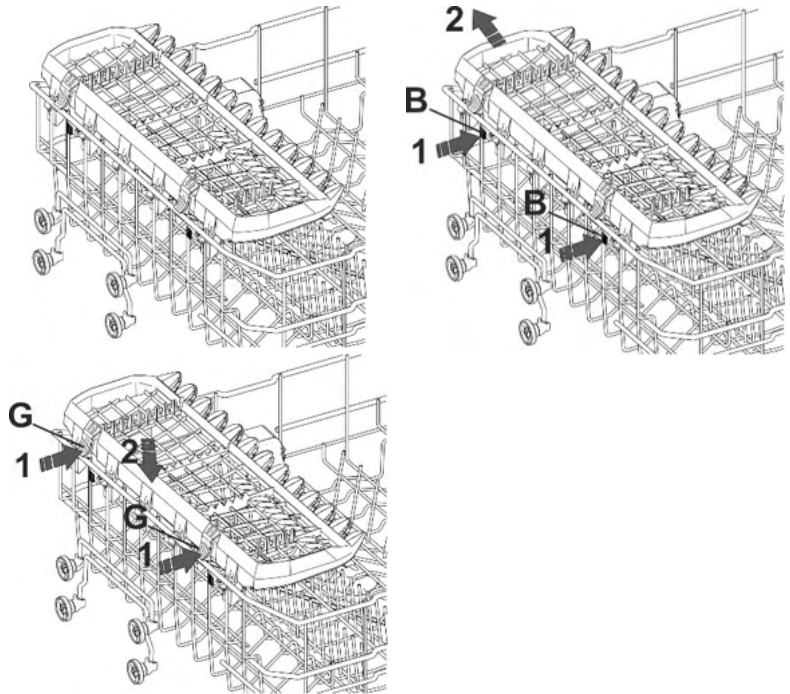


## UPPER BASKET EQUIPMENT (depending on the model)

### Cutlery tray

For knives, spoons (tea and dessert) and long objects. The ends are designed to hold long stemmed glasses.

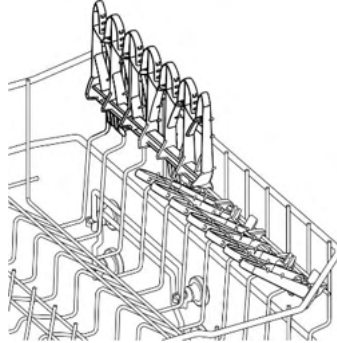
- It can be removed by pressing and pushing the release levers **(B)** at the same time.
- It has to be lowered if the upper basket is in the topmost position. Press the catches **(G)** simultaneously.



## Fold-down shelves

For mugs, cups and long objects. The ends are designed to hold long stemmed glasses

When not used they can be moved to a vertical position (until a click is heard).

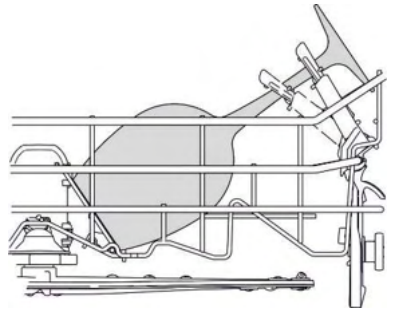
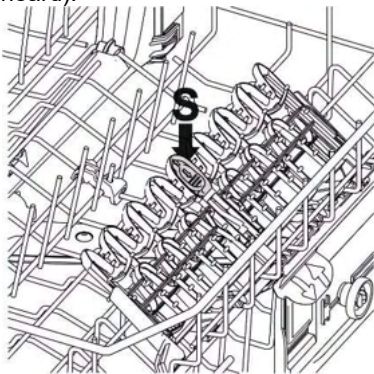


## Shelves with expandable wings

For small objects, mugs and cups.

They can be used either closed or open (pull the upper, sliding part). To close them, press the release device (S) and slide them downwards.

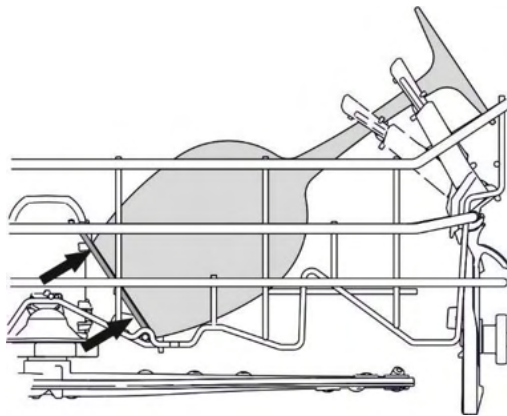
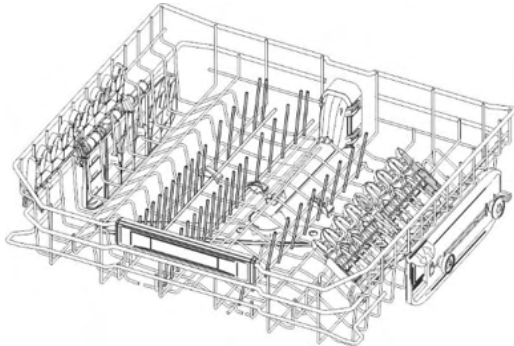
The ends are designed to hold long stemmed glasses (even when closed). When not used they can be moved to a vertical position (until a click is heard).



## Fold-down tines

These can be secured in a vertical position, resting on the bottom of the basket if unused, or placed in an intermediate position, as required.

The single tine on the right is ideal for supporting long stemmed glasses.



## ADJUSTING THE UPPER BASKET

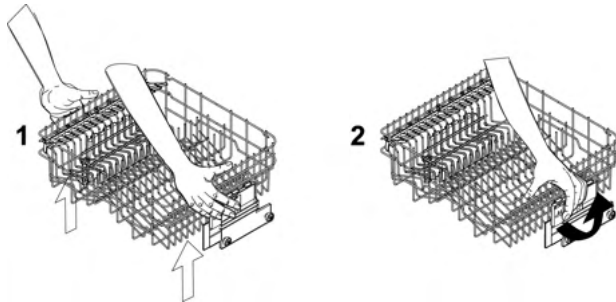
The height of the top basket can be adjusted to allow large dishes or pans to be placed in the bottom basket.

Adjustment in **three positions** on both sides.

The sides of the basket **must always be set at the same height**.

- Raise the basket by pulling on the top edge **(1)**, to the first or second catch depending on the height required.
- To lower the basket, first release it by pulling the release lever **(2)**.

Adjustment is also possible with the basket loaded, but in this case when lowering the basket it should be held steady with one hand to avoid knocking the dishes.



## 5. Cleaning and maintenance



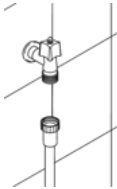
**Before carrying out any work, always unplug the appliance from the electrical supply or switch off the omnipolar circuit breaker.**

### 5.1 General warnings and recommendations

#### **Avoid the use of acidic or abrasive detergents.**

Clean the outer surfaces and door-lining of the dishwasher regularly using a soft cloth moistened with water or with a normal detergent suitable for painted surfaces. Clean the door gaskets with a damp sponge. Periodically (once or twice a year) it is advisable to clean the tank gaskets using a soft cloth and water to remove any deposits.

If the dishwasher is used every day, we recommend cleaning the chamber and the water circuit monthly using a product that is specific for domestic dishwashers.



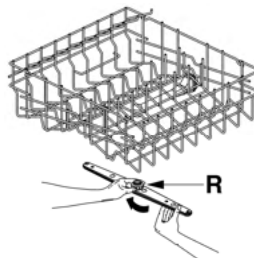
#### **CLEANING THE WATER INTAKE FILTER**

The water filter at the inlet to the intake hose should be cleaned periodically. Close the water supply tap, unscrew the water intake hose and make sure that the filter at the inlet to the hose is not dirty or clogged (the filter cannot be removed from the hose). Remove any dirt with a damp cloth or a non-metallic brush. Screw the hose back on. We recommend that you inspect and clean it, if necessary, at least once a year.

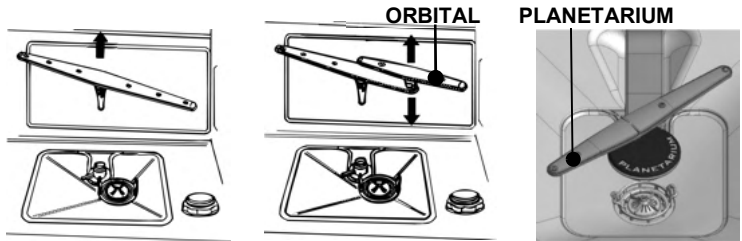
#### **CLEANING THE SPRAY ARMS**

If the dishwasher is used every day, we recommend that you clean it once a week. The spray arms can be easily removed for periodic cleaning of the nozzles, to prevent possible clogging. Wash them under running water and carefully replace them in their seats, **checking that their rotary movement is in no way impeded.**

To remove the **upper** spray arm, unscrew locking ring **R**.



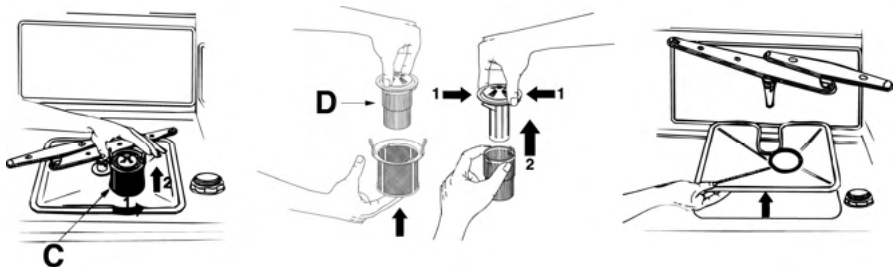
- To remove the **lower** spray arm, simply lift it up, pulling by the central part.
- To remove the **orbital** spray arm assembly, take hold of the longer arm and pull the orbital unit upward. Wash the arms under a jet of running water and return them carefully to their seat. **After reassembly, check that the spray arms turn freely.** Otherwise, check that they have been installed correctly.
- To remove and clean the **planetarium** sprayer follow the instructions provided.



## CLEANING THE FILTER UNIT

If the dishwasher is used every day, we recommend that you clean it once a week.

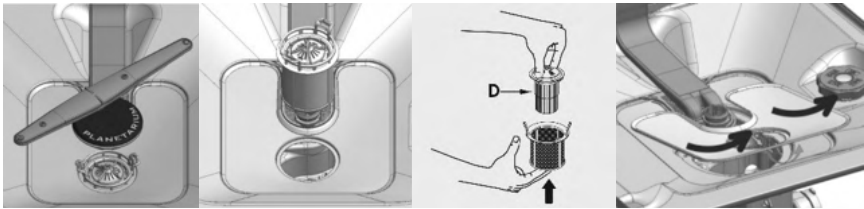
- It is advisable to periodically inspect the centre filter **C** and, if necessary, to clean it. To remove the filter, grip the tabs, turn them anticlockwise and lift upwards;
- push the centre filter **D** from the underside to remove it from the micro-filter;
- separate the two parts which make up the plastic filter by pressing the body of the filter in the zone shown by the arrows;
- remove the centre filter by lifting it upwards.



## CLEANING THE FILTER UNIT (models with planetarium sprayer)

If the dishwasher is used every day, we recommend that you clean it once a week.

- It is advisable to periodically inspect the centre filter and, if necessary, to clean it.
- remove the planetarium sprayer follow the instructions provided.
- push the centre filter **D** from the underside to remove it from the micro-filter:
- separate the two parts which make up the plastic filter by pressing the body of the filter in the zone shown by the arrows;
- remove the centre filter by lifting it upwards.



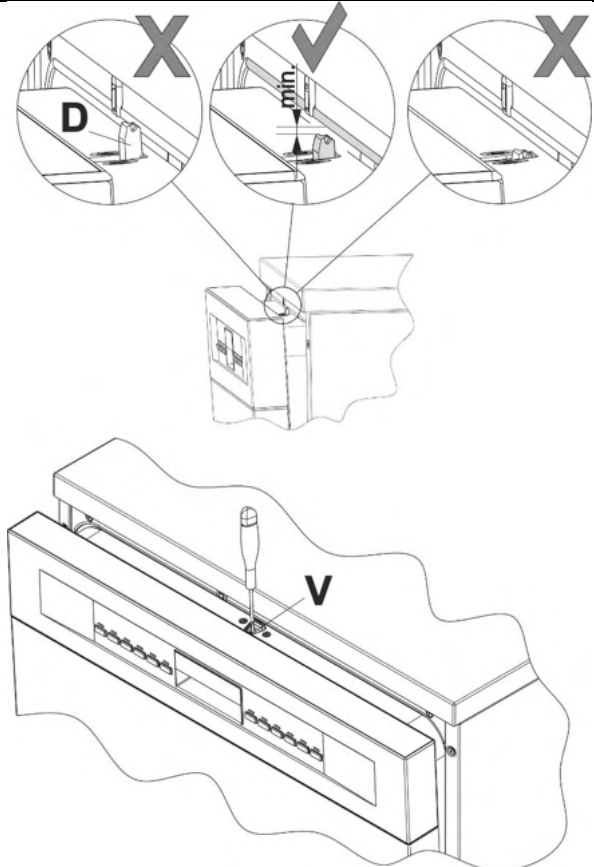
## GENERAL WARNINGS AND RECOMMENDATIONS FOR CORRECT MAINTENANCE:

- *The filters should be cleaned **under running water** using a stiff brush.*
- **When removing the filter**, take care that there are no food residues on it. If any residues fall into the washing pit they might block hydraulic components, or foul the spray arm nozzles.
- *It is essential to **thoroughly clean the filters** according to the above instructions: the dishwasher cannot function if the filters are clogged.*
- **Carefully replace** the filters in their seats, to avoid damaging the wash pump.

## 6. Troubleshooting. What to do if...

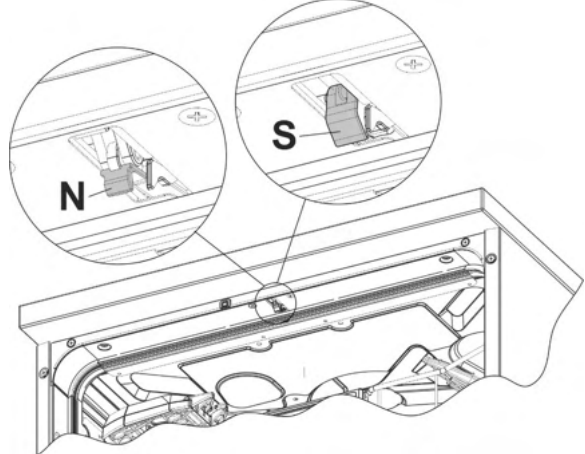
<b>Fault</b>	<b>Possible cause</b>	<b>Solution</b>	
The salt light does not turn on	There is still enough salt	Check the fill level	
The rinse aid light does not turn on	There is still enough rinse aid	Check the fill level	
Water collects at the bottom of the dishwasher	The water inlet hose is kinked or crushed	Check the route of the hose	
	The drain siphon is clogged	Make sure that the siphon is not clogged or partially clogged	
	The filter unit is clogged	Clean the filters as indicated in the manual	
Cutlery not dry	Water in the bowls of spoons or ladles	Cutlery (e.g. serving spoons) in the cutlery drawer (if present), on the bottom of the basket or on the fold down shelves at the side must be arranged with their bowls facing downwards.	
Tea or lipstick residues on the dishes	Wash temperature too low	Check the fill level	
	Detergent insufficient or unsuitable	Check the fill level	
	Cutlery arranged incorrectly in the cutlery basket	Do not place items of cutlery on top of one another or allow them to touch one another	
The inside of the dishwasher is wet	Condensation	The appliance is not faulty, it is normal for there to be condensation on the inside walls	
Change in colour of the plastic parts inside the chamber	The colour of plastic parts inside the dishwasher can fade with use	This is normal and does not affect the effectiveness of the dishwasher	
The salt and/or rinse aid light is on	No salt	Add salt	
	No rinse aid	Add rinse aid	
	Detergent residues or dishes not perfectly clean	Dishes are preventing the cover of the detergent dispenser from opening completely	The dishes should not protrude from the basket
		The detergent dispenser cover is blocked by the tablet	The tablet should be inserted transversely, not vertically
		Tablets used in a short program; the detergent does not have time to dissolve	Use a powder detergent or a more intensive program
	Detergent stored in an open box in a damp environment. It has lost its effectiveness, aged or become lumpy	Replace detergent	
	Dishes arranged incorrectly	Water cannot pass correctly if the dishes are arranged incorrectly. Take greater care when arranging the dishes.	

Traces of rust on cutlery	Cutlery not oxidation resistant. Knife blades are particularly subject to this.	Use only stainless cutlery.
	Cutlery becomes oxidized even if washed together with other items that are subject to oxidation (pot handles, damaged knives, etc.)	Avoid washing parts that can become oxidized
	Too much salt in the washing water	Tighten the cap of the water softener container properly
The dishwasher does not start	The door does not close	Check the position of the door lock catch ( <b>D</b> ). If necessary, raise it by adjusting the plastic screw ( <b>V</b> ) next to the catch



The door does not close      Check the condition of the door lock catch:

- if it has not triggered (N), the door opens and closes normally
- if it has triggered (S), close the door with force (without slamming it) until it rearms; then open and close the door again



Door does not close properly	Make sure that there are no obstacles that prevent it from closing (e.g. objects protruding from the baskets)
Failure	Contact technical assistance
No power	Check the power supply. Check the power cable
It is not clear if the spray arms are working	The spray arms start turning approximately 5 minutes after the dishwasher starts. This is normal during the washing cycle.
No water is taken in	Make sure that the water tap is open

Dishes not dry	No rinse aid	Add rinse aid
	A program has been used that does not involve a final drying cycle	See program table
	Water in dishes or pans	When loading the dishwasher, make sure that you place dishes and pans at an angle
	The dishes were taken out too soon	Wait at least 20 minutes after the end of the program
	Use of ecological rinse aids	Ecological products may be less effective than traditional products
	Plastic dishes	Plastic has a lower heat storage capacity and is therefore harder to dry
Clouding of glassware	The combined detergent used does not produce good drying results	Use a different combined detergent. Using traditional rinse aids improves drying.
	Glass not dishwasher safe	Only use glassware that is dishwasher safe. Check the water softener setting (reduce if necessary). Use a detergent that contains additives for protecting glass
Water marks on some items or on plastic dishes	The formation of drops on the plastic parts is inevitable; stains may therefore be visible after drying	Use a more intense program
		Arrange dishes at an angle so that the water can drain off easily
		Use a traditional rinse aid or increase the dosage Increase the water softener setting
Removable streaks on glasses, metal items and cutlery	Too much rinse aid	Reduce the amount of rinse aid
	No rinse aid or setting too low	Add rinse aid or increase supply
	Detergent not very effective	Packets of detergent should not be kept open for too long. The detergent loses effectiveness
Food residues on the dishes	Dishes too close together, baskets too full	There must always be enough space between the dishes to allow water jets to pass. Avoid contact points
	The spray arms do not rotate	Take care not to prevent the spray arms from rotating when loading the dishwasher

	Clogged spray arm nozzles	Clean the spray arms as indicated in the manual
	Dirty filters	Clean the filters as indicated in the manual
	Filters inserted incorrectly or not fastened in place	Check and correct
	Wash program unsuitable for the type of soil	Find the suitable washing program in the program table
	Combined detergent used with programs that are too short	Use a powder detergent or a more intensive program
	Not enough detergent (if you are using a powder detergent)	Increase the amount of detergent used
	Upper basket not horizontal	The left and right sides of the upper basket must be at the same level
White film in the chamber or on the door	The substances contained in the detergent has settled out	Use a dishwasher cleaner
		Wash the appliance by hand
	Incorrect water hardness setting (too low or too high)	Change detergent
		Adjust the water softener setting
	Salt container cap not tightened (saline solution mixing with the wash water)	Change detergent
Combined detergent or bio/eco detergent not very effective	Tighten the salt container cap properly	
	Adjust the water softener system	
		Use separate products



*If after following the above troubleshooting instructions the problem persists, call the nearest After-Sales Centre.*

**WARNING: any operations performed on the appliance by unauthorised persons are not covered by the warranty and shall be paid for by the user.**

## 7. Troubleshooting

The dishwasher is capable of signalling a number of faults through the simultaneous illumination of several indicator lights, with the following meanings:

	FAULT				DESCRIPTION
E1					Acquastop failure (some models only)
E2					Safety level
E3					Water heating fault
E4					Water temperature detection fault
E5					Water intake fault
E6					Water drainage fault
E7					Turbine flow-meter fault (some models only)
E8					Alternate washing system fault
E9					Water intake system fault
E11					Wash pump fault.

Light off

Light on

Light flashing

If an alarm occurs, the machine stops the current program and indicates the fault.

- Alarms **E1** and **E11** require you to contact the technical assistance service.
- Alarm **E7** is displayed at the end of the cycle, which is anyway completed, as it does not affect the operation of the dishwasher.

For all other alarms, proceed as follows: stop the current program, switch off the dishwasher. Switch on and program the dishwasher again to start the new wash cycle.



*If the malfunction persists, contact your authorised Service Centre and **provide it with the fault code.***

*The contact details of the Technical Assistance Department can be found on the warranty certificate and the website*

The manufacturer reserves the right to make any changes deemed necessary for the improvement of its products without prior notice.