

## 30" MINIMAL OVENS AND COMPANIONS

---

# PLANNING GUIDE

---

### **SERIES 9 & 11**

**SELF-CLEANING OVEN** | OB30SMPUB3, OB30SMPUG3

**SELF-CLEANING STEAM ASSIST OVEN** | OB30SMPSUB3, OB30SMPSUG3

**COMBI-STEAM** | OS30SMUB3, OS30SMUG3

**COMPACT COMBI-STEAM** | OS30NMUB3, OS30NMUG3

**COMPACT CONVECTION-SPEED** | OM30NMUB3, OM30NMUG3

**BUILT-IN COFFEE MAKER** | EB30MSB3

**WARMING DRAWER** | WB30SMB3, WB30SMG3, WB30SDEI3

**VACUUM DRAWER** | VB30SMB3, VB30SMG3, VB30SDEI3

**FISHER & PAYKEL**

## INTRODUCTION

This comprehensive planning guide provides you with the framework and tools to achieve your desired design outcome with Fisher & Paykel appliances. In this guide, you will find a range of conceptual, detailed, and dimensional product information to bring your ideas to life and create spaces that truly reflect your vision.

## SUPPORT

For additional design planning and installation support please contact the Fisher & Paykel design support team.

[designsupport@fisherpaykel.com](mailto:designsupport@fisherpaykel.com)

## NOTES

The models shown in this Planning Guide may not be available in all markets and are subject to change at any time. Refer to our website [fisherpaykel.com](http://fisherpaykel.com) for the latest document version. Product specifications may vary from those shown.

This Planning Guide should not be used as installation guidance for any product. Specific installation guidance will be available with the product on delivery and on our website.

## CONCEPT DESIGN PAGE

### DESIGN CHOICE

Styles	4
Minimal Family	5
Installation Options	6
Overview	7

### SPECIFICATION GUIDE

Self-Cleaning Oven	9
Self-Cleaning Steam Assist Oven	10
Combi-Steam Oven	11
Compact Combi-Steam Oven	12
Compact Convection-Speed Oven	13
Built-In Coffee Maker	14
Warming Drawer	15
Integrated Warming Drawer	16
Vacuum Seal Drawer	17
Integrated Vacuum Seal Drawer	18
Dimensions - Ovens	19
Dimensions - Compact Ovens & Built-In Coffee Maker	20
Dimensions - Drawers	21
Services	22

## DEVELOPED AND DETAILED DESIGN PAGE

### DATA SHEETS

Self-Cleaning Oven	24
Self-Cleaning Steam Assist Oven	25
Combi-Steam Oven	26
Compact Combi-Steam Oven	27
Compact Convection-Speed Oven	28
Built-In Coffee Maker	29
Warming Drawer	30
Integrated Warming Drawer	31
Vacuum Seal Drawer	32
Integrated Vacuum Seal Drawer	33

## DEVELOPED AND DETAILED DESIGN PAGE

### PLANNING CONSIDERATIONS

Cabinetry Preparation	35
Clearances	36
Ventilation	37
Stack Height	38
Self-Cleaning Oven	39
Self-Cleaning Steam Assist Oven	40
Combi-Steam Oven	41
Compact Combi-Steam Oven	42
Compact Convection-Speed Oven	43
Built-in Coffee Maker	44
Warming Drawer	45
Integrated Warming Drawer	46
Vacuum Seal Drawer	47
Integrated Vacuum Seal Drawer	48

### SERVICES

Power Cord Length and Location - Ovens	50
Power Cord Length and Location - Compact	51
Power Cord Length and Location - Drawers	52

## DESIGN CHOICE



**MINIMAL STYLE - HANDLELESS**

**MINIMAL STYLE**

**CONTEMPORARY STYLE**

**PROFESSIONAL STYLE**

Celebrating a singular aesthetic to blend seamlessly into the kitchen, Minimal style ovens feature subtle textural and tonal contrasts for a sense of refinement and purity.

Defined by clean lines and timeless design cues, Contemporary style ovens bring a sense of balance and refinement. A versatile aesthetic that complements a range of kitchen styles.

Distinctive and bold, Professional style ovens are the perfect interpretation of the commercial kitchen for the home chef. Experience refined performance with stainless steel construction that is built to last.

This Planning Guide is for the Minimal style featuring 30" Ovens and Companions. For information on other styles, please visit the Fisher and Paykel website. To see what models are available, head to the 'Overview' section in this Planning Guide.

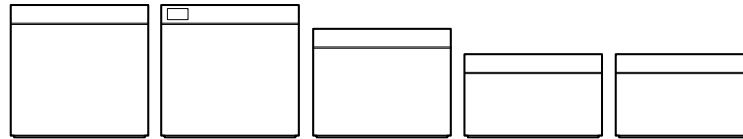
The models shown in this Planning Guide may not be available in all markets and are subject to change at any time. Product specifications may vary from those shown. This Planning Guide should not be used as installation guidance for any product. Further information is required to safely and correctly install the products featured here. Specific installation guidance will be available with the product on delivery and on our website [fisherpaykel.com](http://fisherpaykel.com)

FINISH



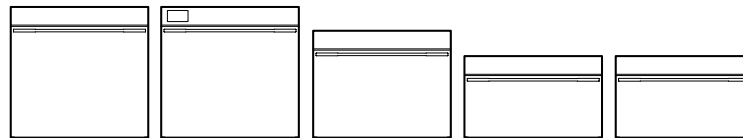
OVENS

SELF-CLEANING	SELF-CLEANING STEAM ASSIST	STEAM	SPEED	
---------------	----------------------------	-------	-------	--



Minimal Handleless Family  
Series 9 and 11

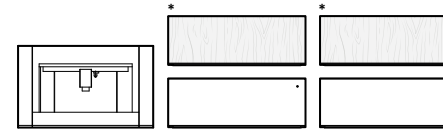
Minimal Handle Family  
Series 9 and 11



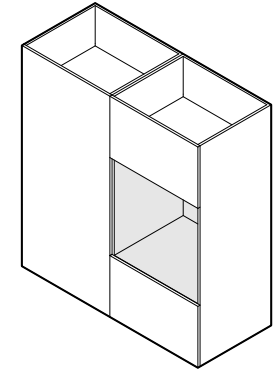
COMPANIONS

COFFEE MAKER

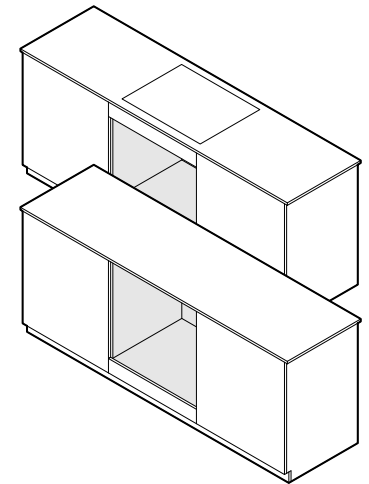
WARMING DRAWERS  
VACUUM SEAL DRAWERS



INSTALLATION OPTIONS



Installation in wall



Installation under-bench

\*Integrated model, panel ready for a custom front panel.

The models shown in this Planning Guide may not be available in all markets and are subject to change at any time. Product specifications may vary from those shown. This Planning Guide should not be used as installation guidance for any product. Further information is required to safely and correctly install the products featured here. Specific installation guidance will be available with the product on delivery and on our website [fisherpaykel.com](http://fisherpaykel.com)

STACKED INSTALLATION

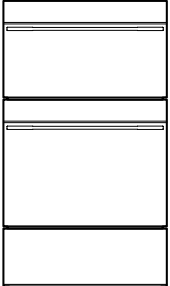
GRID INSTALLATION

ROW INSTALLATION

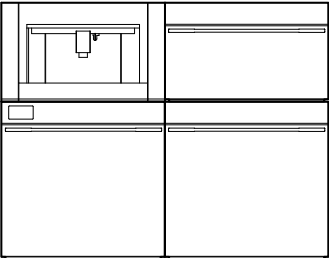
**CONSIDERATIONS**  
Different configurations possible, consider heights for grid and row installations.

**STACK HEIGHT**  
Stack Height is overall product height with minimum clearance above appliance front panel to upper cabinetry front panel or appliance.

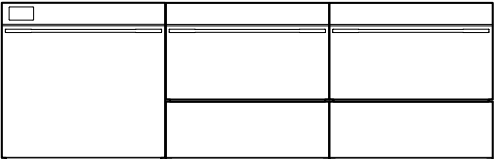
Stack Height  
52 3/8" (1331mm)



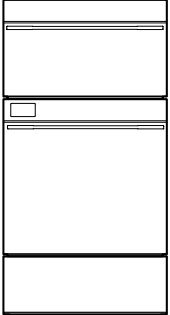
Stack Height  
46 7/8" (1191mm)



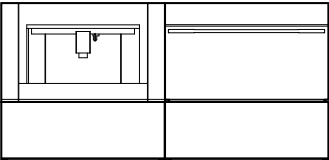
Stack Height  
28 3/4" (731mm)



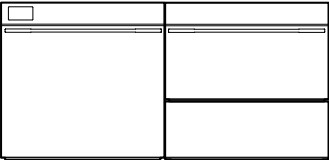
Stack Height  
57 9/16" (1462mm)



Stack Height  
28 3/4" (731mm)



Stack Height  
28 3/4" (731mm)



The models shown in this Planning Guide may not be available in all markets and are subject to change at any time. Product specifications may vary from those shown. This Planning Guide should not be used as installation guidance for any product. Further information is required to safely and correctly install the products featured here. Specific installation guidance will be available with the product on delivery and on our website fisherpaykel.com

	FRONT ELEVATION		SIDE ELEVATION		FUNCTIONALITY		COMPANION	
	<b>SELF-CLEANING OVEN</b>	<b>SELF-CLEANING STEAM ASSIST OVEN</b>	<b>COMBI-STEAM OVEN</b>	<b>COMPACT COMBI-STEAM OVEN</b>	<b>COMPACT CONVECTION-SPEED OVEN</b>	<b>BUILT-IN COFFEE MAKER</b>	<b>WARMING DRAWER</b>	<b>VACUUM SEAL DRAWER</b>
Series	Series 9	Series 11	Series 11	Series 9	Series 9	Series 9	Series 9	Series 9
Black Models	OB30SMPUB3	OB30SMPSUB3	OS30SMUB3	OS30NMUB3	OM30NMUB3	EB30MSB3	WB30SMB3	VB30SMB3
Grey Models	OB30SMPUG3	OB30SMPSUG3	OS30SMUG3	OS30NMUG3	OM30NMUG3	-	WB30SMG3	VB30SMG3
Integrated Models	-	-	-	-	-	-	WB30SDEI3	VB30SDEI3
Interface	6.8" Touchscreen	6.8" Touchscreen	6.8" Touchscreen	6.8" Touchscreen	6.8" Touchscreen	4.3" Touchscreen	-	-
Overall Height	28 11/16" (729mm)	28 11/16" (729mm)	23 9/16" (598mm)	18" (458mm)	18" (458mm)	18" (458mm)	10 11/16" (271mm)	10 11/16" (271mm)
Front Panel Thickness	13/16" (20mm)	13/16" (20mm)	13/16" (20mm)	13/16" (20mm)	13/16" (20mm)	13/16" (20mm)	13/16" (20mm)	13/16" (20mm)

\*Integrated models available.

The models shown in this Planning Guide may not be available in all markets and are subject to change at any time. Product specifications may vary from those shown. This Planning Guide should not be used as installation guidance for any product. Further information is required to safely and correctly install the products featured here. Specific installation guidance will be available with the product on delivery and on our website fisherpaykel.com

# **SPECIFICATION GUIDE**

## SERIES 11 & 9



**OVERVIEW**

Designed to complement Minimal style appliances, this handled oven offers a sleek, flush finish that integrates seamlessly into the kitchen. Pyrolytic self-cleaning simplifies maintenance, while precise cooking methods with temperature and heat type recommendations for a wide range of food types are easily accessed via the large touch screen and SmartHQ™.

**PRODUCTS**

**OB30SMPUB3 - Black**  
30" Series 9 Minimal Self-Cleaning Oven

**OB30SMPUG3 - Grey**  
30" Series 9 Minimal Self-Cleaning Oven

**SERIES & STYLE**

Series 9  
Minimal

**FEATURES**

- ① Minimal style is designed to fit flush with cabinetry. Matches our Minimal style family of appliances
- ② Self-cleaning pyrolytic function breaks down food residue for an easy clean
- ③ Premium soft-close door with advanced thermal performance
- ④ Generous 4.6 cu ft useable capacity
- ⑤ Large 6.8" touchscreen is intuitive and easy to use
- ⑥ Create perfect results with precise cooking methods, with temperature and heat type recommendations for your food type
- ⑦ Twin vertical fans, perfect for multi-shelf cooking
- ⑧ Includes a wired temperature sensor for real-time monitoring of cooking temperatures
- ⑨ Connected capability via the SmartHQ™ app gives control & visibility from anywhere at anytime

**ACCESSORIES**

- ① Self-cleaning-proof Side Ladders
- ② Full Extension Sliding Shelf (x3)
- ③ Multi-functional Air Fry Tray
- ④ Roasting Dish
- ⑤ Wired Temperature Sensor



The models shown in this Planning Guide may not be available in all markets and are subject to change at any time. Product specifications may vary from those shown. This Planning Guide should not be used as installation guidance for any product. Further information is required to safely and correctly install the products featured here. Specific installation guidance will be available with the product on delivery and on our website [fisherpaykel.com](http://fisherpaykel.com)



### OVERVIEW

Designed to complement Minimal style appliances, this oven delivers a seamless, flush finish – ideal for modern kitchen designs. Steam Assist enhances convection cooking, while pyrolytic cleaning simplifies maintenance. Precise cooking methods with temperature and heat type recommendations for a wide range of food types are easily accessed via the large touch screen and SmartHQ™.

### PRODUCTS

#### OB30SMPSUB3 - Black

30" Series 11 Minimal Self-Cleaning Steam Assist Oven

#### OB30SMPSUG3 - Grey

30" Series 11 Minimal Self-Cleaning Steam Assist Oven

### SERIES & STYLE

Series 11

Minimal

### ACCESSORIES

- ① Self-cleaning-proof Side Ladders
- ② Full Extension Sliding Shelf (x3)
- ③ Multi-functional Air Fry Tray
- ④ Roasting Dish
- ⑤ Wired Temperature Sensor
- ⑥ Descale Solution - 2 sachets (Part 580925)

### FEATURES

- ① Minimal style is designed to fit flush with cabinetry. Matches our Minimal style family of appliances
- ② Steam Assist combines convection heat with steam to enhance the cooking process
- ③ Self-cleaning pyrolytic function breaks down food residue for an easy clean
- ④ Premium soft-close door with advanced thermal performance
- ⑤ Generous 4.6 cu ft useable capacity
- ⑥ Large 6.8" touchscreen is intuitive and easy to use
- ⑦ Create perfect results with precise cooking methods, with temperature and heat type recommendations for your food type
- ⑧ Twin vertical fans, perfect for multi-shelf cooking
- ⑨ Includes a wired temperature sensor for real-time monitoring of cooking temperatures
- ⑩ Connected capability via the SmartHQ™ app gives control & visibility from anywhere at anytime



The models shown in this Planning Guide may not be available in all markets and are subject to change at any time. Product specifications may vary from those shown. This Planning Guide should not be used as installation guidance for any product. Further information is required to safely and correctly install the products featured here. Specific installation guidance will be available with the product on delivery and on our website [fisherpaykel.com](http://fisherpaykel.com)



**OVERVIEW**

Designed to complement Minimal style appliances, this Combi-Steam oven delivers a seamless, flush finish - ideal for modern kitchen designs. Featuring a larger cavity ideal for cooking larger dishes and multiple trays simultaneously. With versatile cooking options including steam or convection, plus a Steam Clean function for easy maintenance. Precise cooking methods with temperature and heat type recommendations for a wide range of food types are easily accessed via the large touch screen and SmartHQ™.

**PRODUCTS**

- OS30SMUB3 - Black**  
30" Series 11 Minimal Combi-Steam Oven
- OS30SMUG3 - Grey**  
30" Series 11 Minimal Combi-Steam Oven

**SERIES & STYLE**

Series 11  
Minimal

**ACCESSORIES**

- ① Chrome Side Ladders
- ② Full Extension Sliding Shelf (x2)
- ③ Step Down Wire Shelf
- ④ Roasting Dish
- ⑤ Broil Rack
- ⑥ Smokeless Broil Tray

**FEATURES**

- ① Minimal style is designed to fit flush with cabinetry. Matches our Minimal style family of appliances
- ② Versatile cooking options with steam or convection heat for optimal results
- ③ Premium soft open and close door
- ④ Generous 2.5 cu ft useable capacity with six shelf positions
- ⑤ Large 6.8" touchscreen is intuitive and easy to use
- ⑥ Create perfect results with precise cooking methods, with temperature and heat type recommendations for your food type
- ⑦ Moisture control and even heat distribution thanks to ActiveVent™ and AeroTech™ technology
- ⑧ Steam Clean function ensures a spotless oven with minimal effort
- ⑨ Includes a wired temperature sensor for real-time monitoring of cooking temperatures
- ⑩ Connected capability via the SmartHQ™ app gives control & visibility from anywhere at anytime

**ACCESSORIES**

- ⑦ Large Perforated Steam Dish
- ⑧ Small Perforated Steam Dish
- ⑨ Large Steam Dish
- ⑩ Wired Temperature Sensor
- ⑪ Descale Solution - 2 sachets (Part 580925)



The models shown in this Planning Guide may not be available in all markets and are subject to change at any time. Product specifications may vary from those shown. This Planning Guide should not be used as installation guidance for any product. Further information is required to safely and correctly install the products featured here. Specific installation guidance will be available with the product on delivery and on our website [fisherpaykel.com](http://fisherpaykel.com)



**OVERVIEW**

Designed to complement Minimal style appliances, this Combi- Steam oven delivers a seamless, flush finish - ideal for modern kitchen designs. With versatile cooking options including steam or convection, plus a Steam Clean function for easy maintenance. Precise cooking methods with temperature and heat type recommendations for a wide range of food types are easily accessed via the large touch screen and SmartHQ™.

**PRODUCTS**

**OS30NMUB3 - Black**  
30" Series 9 Minimal Compact Combi-Steam Oven

**OS30NMUG3 - Grey**  
30" Series 9 Minimal Compact Combi-Steam Oven

**SERIES & STYLE**

Series 9  
Minimal

**ACCESSORIES**

- ① Chrome Side Ladders
- ② Full Extension Sliding Shelf
- ③ Flat Wire Shelf
- ④ Roasting Dish
- ⑤ Broil Rack

**FEATURES**

- ① Minimal style is designed to fit flush with cabinetry. Matches our Minimal style family of appliances
- ② Versatile cooking options with steam or convection heat for optimal results
- ③ Premium soft open and close door
- ④ 1.6 cu ft useable capacity with four shelf positions
- ⑤ Large 6.8" touchscreen is intuitive and easy to use
- ⑥ Create perfect results with precise cooking methods, with temperature and heat type recommendations for your food type
- ⑦ Moisture control and even heat distribution thanks to ActiveVent™ and AeroTech™ technology
- ⑧ Steam Clean function ensures a spotless oven with minimal effort
- ⑨ Includes a wired temperature sensor for real-time monitoring of cooking temperatures
- ⑩ Connected capability via the SmartHQ™ app gives control & visibility from anywhere at anytime

**ACCESSORIES**

- ⑥ Large Perforated Steam Dish
- ⑦ Small Perforated Steam Dish
- ⑧ Large Steam Dish
- ⑩ Wired Temperature Sensor
- ⑪ Descale Solution - 2 sachets (Part 580925)



The models shown in this Planning Guide may not be available in all markets and are subject to change at any time. Product specifications may vary from those shown. This Planning Guide should not be used as installation guidance for any product. Further information is required to safely and correctly install the products featured here. Specific installation guidance will be available with the product on delivery and on our website fisherpaykel.com



**OVERVIEW**

Designed to complement Minimal style appliances, this Convection-Speed oven delivers a seamless, flush finish - ideal for modern kitchen designs. Versatile cooking options including microwave or convection offer efficient heating across a variety of dishes. Precise cooking methods with temperature and heat type recommendations for a wide range of food types are easily accessed via the large touch screen and SmartHQ™.

**PRODUCTS**

**OM30NMUB3 - Black**

30" Series 9 Minimal Compact Convection-Speed Oven

**OM30NMUG3 - Grey**

30" Series 9 Minimal Compact Convection-Speed Oven

**SERIES & STYLE**

Series 9

Minimal

**FEATURES**

- ① Minimal style is designed to fit flush with cabinetry. Matches our Minimal style family of appliances
- ② Combines fast microwave cooking with even convection heat for versatile, efficient heating across a variety of dishes
- ③ With soft open and close, the CoolTouch door is safe to touch from the outside - protecting hands and surrounding cabinetry
- ④ Generous 1.3 cu ft useable capacity with four shelf positions
- ⑤ Large 6.8" touchscreen is intuitive and easy to use
- ⑥ Create perfect results with precise cooking methods, with temperature and heat type recommendations for your food type
- ⑦ 22 functions, including four microwave-only, 14 traditional oven and four combination settings
- ⑧ Includes a wired temperature sensor for real-time monitoring of cooking temperatures
- ⑨ Connected capability via the SmartHQ™ app gives control & visibility from anywhere at anytime

**ACCESSORIES**

- ① Chrome Side Ladders
- ② Flat Wire Shelf
- ③ Step Down Wire Shelf
- ④ Broil Rack
- ⑤ Glass Tray
- ⑥ Wired Temperature Sensor



The models shown in this Planning Guide may not be available in all markets and are subject to change at any time. Product specifications may vary from those shown. This Planning Guide should not be used as installation guidance for any product. Further information is required to safely and correctly install the products featured here. Specific installation guidance will be available with the product on delivery and on our website fisherpaykel.com



### OVERVIEW

Designed to complement Minimal style appliances, this Coffee Maker delivers a seamless, flush finish – ideal for modern kitchen designs. It remembers your favorite brews over time, offering personalized coffee at the touch of a button. With precise grinding, creamy milk frothing, and effortless self-cleaning, it brings barista-quality coffee home.

### PRODUCTS

**EB30MSB3 - Black**  
30" Series 9 Minimal Built-in Coffee Maker

### SERIES & STYLE

Series 9  
Minimal



### FEATURES

- ① Minimal style is designed to fit flush with cabinetry. Matches our Minimal style family of appliances
- ② Intuitive touch display brews a perfect cup of coffee at the touch of a button
- ③ Programmable timer turns on the Coffee Maker at the ideal time each day
- ④ Personalised coffee and smart self-learning menu preferences with 13 functions to suit any taste
- ⑤ Allows you to prepare hot milk or creamy froth in seconds
- ⑥ Stainless steel conical burr grinder with 13 coarseness positions
- ⑦ 15 bar pump pressure
- ⑧ Self-cleaning function and easy to empty coffee grounds container and drip tray
- ⑨ 81 fl oz (2.4L) water tank capacity

### ACCESSORIES

- ① Milk Container (Auto-Froth)
- ② Steam Wand
- ③ Coffee Spoon
- ④ Cleaning Brush
- ⑤ Descaler Solution - 1 bottle
- ⑥ Water Hardness Indicator Paper
- ⑦ Water Filter

The models shown in this Planning Guide may not be available in all markets and are subject to change at any time. Product specifications may vary from those shown. This Planning Guide should not be used as installation guidance for any product. Further information is required to safely and correctly install the products featured here. Specific installation guidance will be available with the product on delivery and on our website [fisherpaykel.com](https://fisherpaykel.com)



**OVERVIEW**

Designed to complement Minimal style appliances, this Warming Drawer delivers a seamless, flush finish – ideal for modern kitchen designs. Featuring a push-to-open mechanism, intuitive touch controls, and a smooth glass base for easy cleaning. With six tailored programmes and space for 16 place settings, it keeps meals ready to serve.

**PRODUCTS**

**WB30SMB3 - Black**  
30" Series 9 Minimal Warming Drawer

**WB30SMG3 - Grey**  
30" Series 9 Minimal Warming Drawer

**SERIES & STYLE**

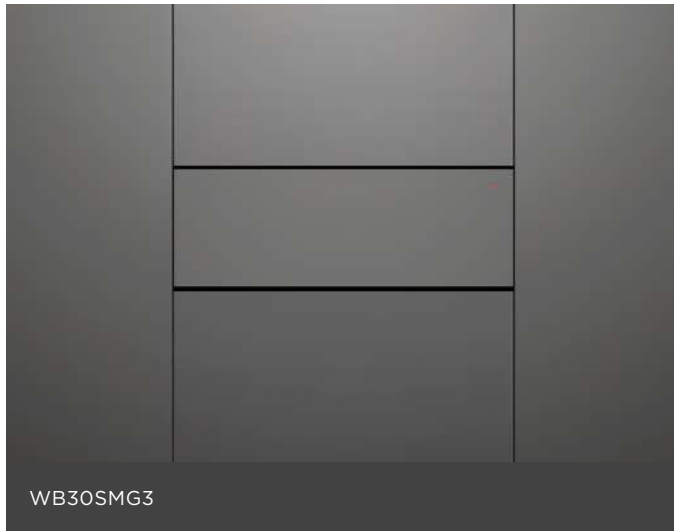
Series 9  
Minimal

**FEATURES**

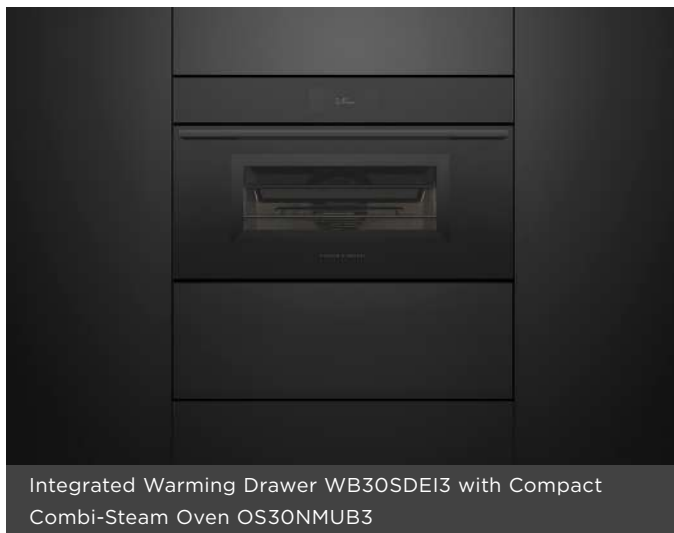
- ① Minimal style is designed to fit flush with cabinetry. Matches our Minimal style family of appliances
- ② Push-to-open drawer, designed for added convenience
- ③ Simple and intuitive touch controls for effortless operation
- ④ Easy-to-clean glass base
- ⑤ Automatic switch-off and delayed start functionality to help keep dishes warm until it is time to serve
- ⑥ Room for 16 standard-sized place settings
- ⑦ Six tailored programmes including Warming, Proofing, Dehydrating, and Slow Cooking offer convenience and flexibility

**ACCESSORIES**

- ① Accessory rack for optimising space



The models shown in this Planning Guide may not be available in all markets and are subject to change at any time. Product specifications may vary from those shown. This Planning Guide should not be used as installation guidance for any product. Further information is required to safely and correctly install the products featured here. Specific installation guidance will be available with the product on delivery and on our website [fisherpaykel.com](http://fisherpaykel.com)



**OVERVIEW**

Panel ready design allows for seamless integration and customisation of this Warming Drawer with kitchen cabinetry for a cohesive kitchen look. Featuring a push-to-open mechanism, intuitive touch controls, and a smooth glass base for easy cleaning. With six tailored programmes and space for 16 place settings, it keeps meals ready to serve.

**PRODUCTS**

**WB30SDEI3\***  
30" Series 9 Integrated Warming Drawer

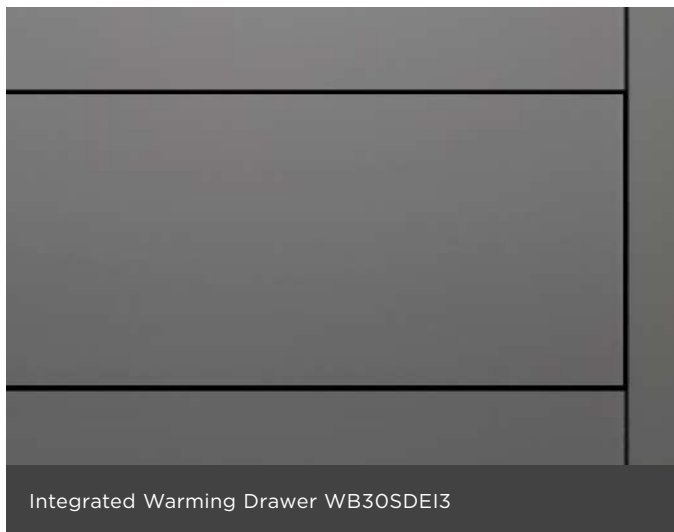
\*Panel ready.

**SERIES & STYLE**

Series 9  
Integrated

**FEATURES**

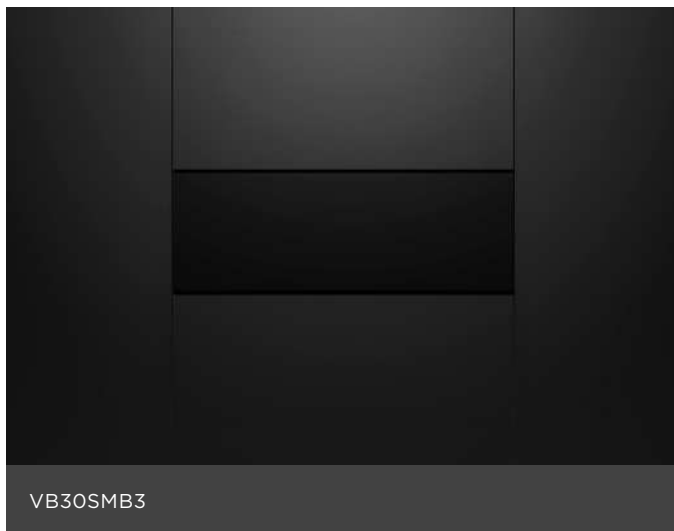
- ① Panel ready design allows for seamless integration and customisation with kitchen cabinetry for a cohesive kitchen look
- ② Push-to-open drawer, designed for added convenience
- ③ Simple and intuitive touch controls for effortless operation
- ④ Automatic switch-off and delayed start functionality, to help keep dishes warm until it is time to serve
- ⑤ Room for 16 standard-sized place settings
- ⑥ Six tailored programmes including Warming, Proofing, Dehydrating, and Slow Cooking offer convenience and flexibility



**ACCESSORIES**

- ① Accessory rack for optimising space

The models shown in this Planning Guide may not be available in all markets and are subject to change at any time. Product specifications may vary from those shown. This Planning Guide should not be used as installation guidance for any product. Further information is required to safely and correctly install the products featured here. Specific installation guidance will be available with the product on delivery and on our website [fisherpaykel.com](http://fisherpaykel.com)

**OVERVIEW**

Designed to complement Minimal style appliances, this Vacuum Seal Drawer delivers a seamless, flush finish – ideal for modern kitchen designs. A push-to-open mechanism and intuitive touch controls offer effortless use, while three vacuum and heat sealing levels support sous vide preparation, marinating, and food storage, using reusable and BPA-free food-grade bags.

**PRODUCTS****VB30SMB3 - Black**

30" Series 9 Minimal Vacuum Seal Drawer

**VB30SMG3 - Grey**

30" Series 9 Minimal Vacuum Seal Drawer

**SERIES & STYLE**

Series 9

Minimal

**FEATURES**

- ① Minimal style is designed to fit flush with cabinetry. Matches our Minimal style family of appliances
- ② Push-to-open drawer, designed for added convenience
- ③ Simple and intuitive touch controls for effortless operation
- ④ Easy-to-clean glass base
- ⑤ Three levels of vacuum and heat sealing - for easy re-sealing, food portioning, marinating, storage and extending shelf life
- ⑥ Allows effortless preparation for sous vide cooking
- ⑦ Our food-grade, BPA-free bags are an excellent storage option – these can be re-used if sealed and cut appropriately.

**ACCESSORIES**

- ① Large BPA-free Vacuum Bags - 50 bags (Part 793034)
- ② Small BPA-free Vacuum Bags - 50 bags (Part 793033)
- ③ External Vacuuming Accessory Kit

The models shown in this Planning Guide may not be available in all markets and are subject to change at any time. Product specifications may vary from those shown. This Planning Guide should not be used as installation guidance for any product. Further information is required to safely and correctly install the products featured here. Specific installation guidance will be available with the product on delivery and on our website [fisherpaykel.com](http://fisherpaykel.com)



**OVERVIEW**

Panel ready design allows for seamless integration and customisation of this Vacuum Seal Drawer with kitchen cabinetry for a cohesive kitchen look. A push-to-open mechanism and intuitive touch controls offer effortless use, while three vacuum and heat sealing levels support sous vide preparation, marinating, and food storage, using reusable and BPA-free food-grade bags.

**PRODUCTS**

**VB30SDEI3\***  
30" Series 9 Integrated Vacuum Seal Drawer

\*Panel ready.

**SERIES & STYLE**

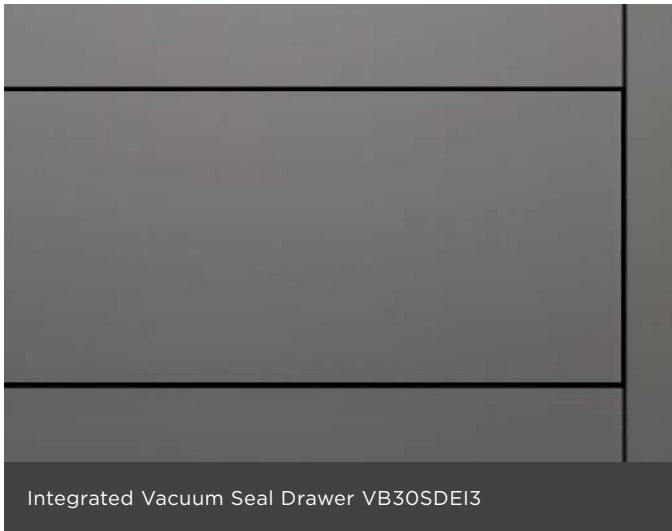
Series 9  
Integrated

**FEATURES**

- ① Panel ready design allows for seamless integration and customisation with kitchen cabinetry for a cohesive kitchen look
- ② Push-to-open drawer, designed for added convenience
- ③ Simple and intuitive touch controls for effortless operation
- ④ Three levels of vacuum and heat sealing - for easy re-sealing, food portioning, marinating, storage and extending shelf life
- ⑤ Allows effortless preparation for sous vide cooking
- ⑥ Our food-grade, BPA-free bags are an excellent storage option — these can be re-used if sealed and cut appropriately.

**ACCESSORIES**

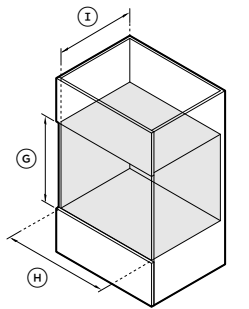
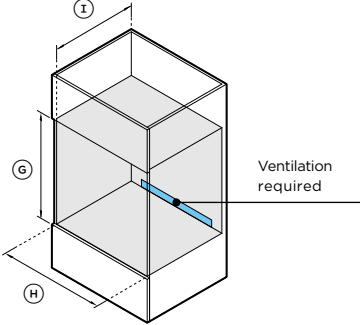
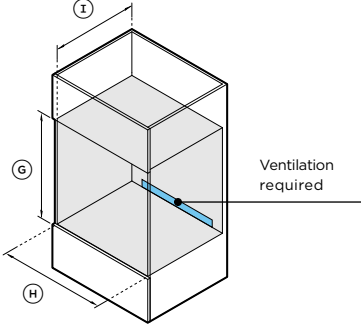
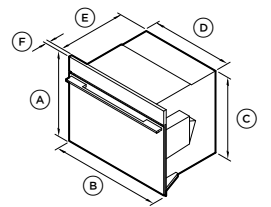
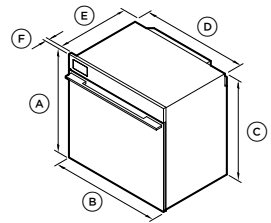
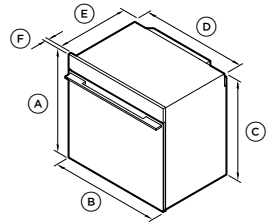
- ① Large BPA-free Vacuum Bags - 50 bags (Part 793034)
- ② Small BPA-free Vacuum Bags - 50 bags (Part 793033)
- ③ External Vacuuming Accessory Kit



The models shown in this Planning Guide may not be available in all markets and are subject to change at any time. Product specifications may vary from those shown. This Planning Guide should not be used as installation guidance for any product. Further information is required to safely and correctly install the products featured here. Specific installation guidance will be available with the product on delivery and on our website [fisherpaykel.com](http://fisherpaykel.com)

**PRODUCT DIMENSIONS**

**CAVITY DIMENSIONS**



PRODUCT DIMENSIONS	
(A) Overall height	28 11/16
(B) Overall width	29 7/8
(C) Chassis height	27 7/8
(D) Chassis width	28 3/8
(E) Chassis depth	22 5/8
(F) Control panel thickness	13/16
Depth with door fully open*	23 3/8

SELF-CLEANING OVEN OB30SMPUB3, OB30SMPUG3		
	inch	mm
(A) Overall height	28 11/16	729
(B) Overall width	29 7/8	758
(C) Chassis height	27 7/8	708
(D) Chassis width	28 3/8	720
(E) Chassis depth	22 5/8	575
(F) Control panel thickness	13/16	20
Depth with door fully open*	23 3/8	594

SELF-CLEANING STEAM ASSIST OVEN OB30SMPSUB3, OB30SMPSUG3		
	inch	mm
(A) Overall height	28 11/16	729
(B) Overall width	29 7/8	758
(C) Chassis height	27 7/8	708
(D) Chassis width	28 3/8	720
(E) Chassis depth	22 5/8	575
(F) Control panel thickness	13/16	20
Depth with door fully open*	23 3/8	594

COMBI-STEAM OVEN OS30SMUB3, OS30SMUG3		
	inch	mm
(A) Overall height	23 9/16	598
(B) Overall width	29 7/8	758
(C) Chassis height	22 5/8	575
(D) Chassis width	28 3/8	720
(E) Chassis depth	22 7/16	545
(F) Control panel thickness	13/16	20
Depth with door fully open*	18 1/8	460

\*Measured from front of control panel.

CAVITY DIMENSIONS	
(G) Minimum inside height of cavity	28 1/32
(H) Minimum inside width of cavity	28 1/2
(I) Minimum inside depth of cavity*	23 1/2**
Recommended cabinet height	28 3/4
Recommended cabinet width	30

	inch	mm
(G) Minimum inside height of cavity	28 1/32	712
(H) Minimum inside width of cavity	28 1/2	724
(I) Minimum inside depth of cavity*	23 1/2**	597**
Recommended cabinet height	28 3/4	731
Recommended cabinet width	30	762

	inch	mm
(G) Minimum inside height of cavity	28 1/32	712
(H) Minimum inside width of cavity	28 1/2	724
(I) Minimum inside depth of cavity*	23 1/2**	597**
Recommended cabinet height	28 3/4	731
Recommended cabinet width	30	762

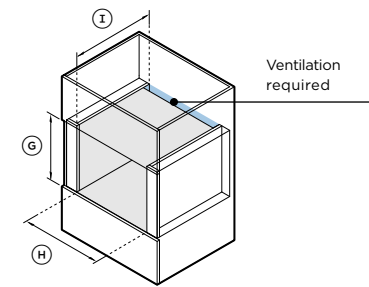
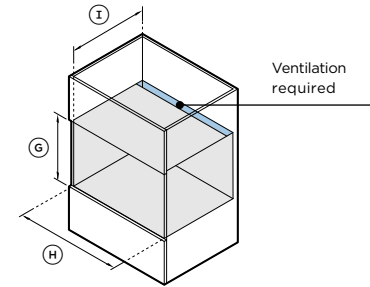
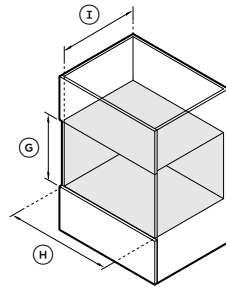
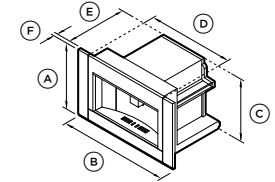
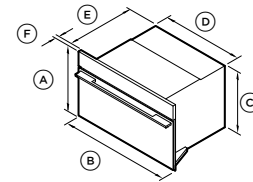
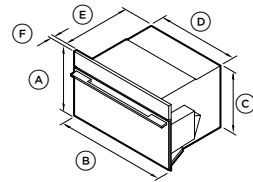
	inch	mm
(G) Minimum inside height of cavity	22 13/16	580
(H) Minimum inside width of cavity	28 1/2	724
(I) Minimum inside depth of cavity*	21 5/8	550
Recommended cabinet height	24	600
Recommended cabinet width	30	762

\*Measured from front of chassis.\*\*Requires ventilation at the rear of the cavity. For more information, refer to the 'Ventilation' section of this Planning Guide.

The models shown in this Planning Guide may not be available in all markets and are subject to change at any time. Product specifications may vary from those shown. This Planning Guide should not be used as installation guidance for any product. Further information is required to safely and correctly install the products featured here. Specific installation guidance will be available with the product on delivery and on our website fisherpaykel.com

**PRODUCT DIMENSIONS**

**CAVITY DIMENSIONS**



PRODUCT DIMENSIONS	
(A) Overall height	18
(B) Overall width	29 7/8
(C) Chassis height	17 1/8
(D) Chassis width	28 3/8
(E) Chassis depth	21 7/16
(F) Control panel thickness	13/16
Depth with door fully open**	12 5/8

COMPACT COMBI-STEAM OVEN OS30NMUB3, OS30NMUG3		
	inch	mm
(A) Overall height	18	458
(B) Overall width	29 7/8	758
(C) Chassis height	17 1/8	435
(D) Chassis width	28 3/8	720
(E) Chassis depth	21 7/16	545
(F) Control panel thickness	13/16	20
Depth with door fully open**	12 5/8	320

COMPACT CONVECTION-SPEED OVEN OM30NMUB3, OM30NMUG3		
	inch	mm
(A) Overall height	18	458
(B) Overall width	29 7/8	758
(C) Chassis height	17 1/8	435
(D) Chassis width	28 3/8	720
(E) Chassis depth	21 7/16	545
(F) Control panel thickness	13/16	20
Depth with door fully open**	12 5/8	320

BUILT-IN COFFEE MAKER EB30MSB3		
	inch	mm
(A) Overall height	18*	458*
(B) Overall width	29 7/8*	758*
(C) Chassis height	17 1/2	445
(D) Chassis width	22 1/16	560
(E) Chassis depth	18 1/8	460
(F) Control panel thickness	13/16*	20*
Depth with door fully open**	-	-

\*Measurements with trim kit. \*\*Measured from front of control panel.

CAVITY DIMENSIONS	
(G) Minimum inside height of cavity	17 5/16
(H) Minimum inside width of cavity	28 1/2
(I) Minimum inside depth of cavity*	21 5/8
Recommended cabinet height	18 1/8
Recommended cabinet width	30

	inch	mm
(G) Minimum inside height of cavity	17 5/16	440
(H) Minimum inside width of cavity	28 1/2	724
(I) Minimum inside depth of cavity*	21 5/8	550
Recommended cabinet height	18 1/8	460
Recommended cabinet width	30	762

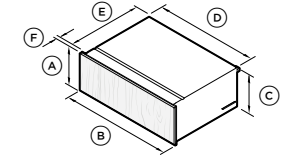
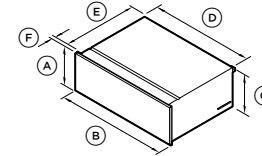
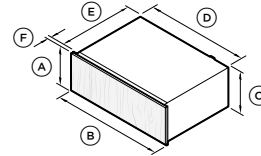
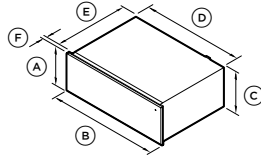
	inch	mm
(G) Minimum inside height of cavity	17 5/16	440
(H) Minimum inside width of cavity	28 1/2	724
(I) Minimum inside depth of cavity*	21 5/8**	550**
Recommended cabinet height	18 1/8	460
Recommended cabinet width	30	762

	inch	mm
(G) Minimum inside height of cavity	17 3/4	450
(H) Minimum inside width of cavity	22 1/16***	560***
(I) Minimum inside depth of cavity*	22 1/16**	560**
Recommended cabinet height	18 1/8	460
Recommended cabinet width	30	762

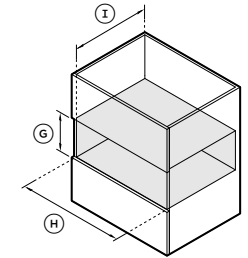
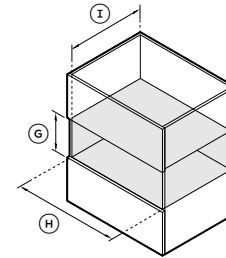
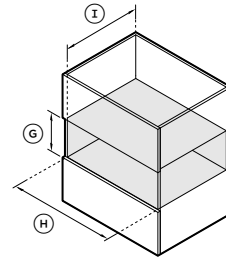
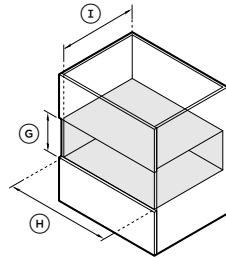
\*Measured from front of chassis. \*\*Requires ventilation at the rear of the cavity. For more information, refer to the 'Ventilation' section of this Planning Guide. \*\*\*Cabinetry requires additional vertical sidewalls to secure the product.

The models shown in this Planning Guide may not be available in all markets and are subject to change at any time. Product specifications may vary from those shown. This Planning Guide should not be used as installation guidance for any product. Further information is required to safely and correctly install the products featured here. Specific installation guidance will be available with the product on delivery and on our website fisherpaykel.com

PRODUCT DIMENSIONS



CAVITY DIMENSIONS



PRODUCT DIMENSIONS	
(A) Overall height	
(B) Overall width	
(C) Chassis height	
(D) Chassis width	
(E) Chassis depth*	
(F) Front panel thickness	
Front panel height	
Front panel width	

WARMING DRAWER WB30SMB3, WB30SMG3		
	inch	mm
(A) Overall height	10 11/16	271
(B) Overall width	29 7/8	758
(C) Chassis height	10 11/16	271
(D) Chassis width	27 3/4	704
(E) Chassis depth*	21 9/16	547
(F) Front panel thickness	13/16	20
Front panel height	10 1/2	267
Front panel width	29 7/8	758

INTEGRATED WARMING DRAWER WB30SDEI3		
	inch	mm
(A) Overall height	10 11/16	271
(B) Overall width	29 7/8	758
(C) Chassis height	10 11/16	271
(D) Chassis width	28 15/32	723
(E) Chassis depth*	22 9/32	566
(F) Front panel thickness	min 5/8***	min 16***
Front panel height	min 10 1/2	min 267
Front panel width	min 29 7/8	min 758

VACUUM SEAL DRAWER VB30SMB3, VB30SMG3		
	inch	mm
(A) Overall height	10 11/16	271
(B) Overall width	29 7/8	758
(C) Chassis height	10 11/16	271
(D) Chassis width	28 1/2**	724**
(E) Chassis depth*	21 11/16	551
(F) Front panel thickness	13/16	20
Front panel height	10 1/2	267
Front panel width	29 7/8	758

INTEGRATED VACUUM SEAL DRAWER VB30SDEI3		
	inch	mm
(A) Overall height	10 11/16	271
(B) Overall width	29 7/8	758
(C) Chassis height	10 11/16	271
(D) Chassis width	28 15/32**	723**
(E) Chassis depth*	22 1/2	572
(F) Front panel thickness	min 5/8***	min 16***
Front panel height	min 10 1/2	min 267
Front panel width	min 29 7/8	min 758

\*Including power plug. \*\*Including side brackets. \*\*\*A clearance of 1/16" (2mm) between the cabinet and the custom panel is required for the push-to-open mechanism (spacer included). Maximum custom panel weight 11 lb (5kg).

CAVITY DIMENSIONS	
(G) Minimum inside height of cavity	
(H) Minimum inside width of cavity	
(I) Minimum inside depth of cavity*	
Recommended cabinet height	
Recommended cabinet width	

	inch	mm
(G) Minimum inside height of cavity	10 3/4	273
(H) Minimum inside width of cavity	28 1/2	724
(I) Minimum inside depth of cavity*	22 13/16	580
Recommended cabinet height	10 3/4	273
Recommended cabinet width	30	762

	inch	mm
(G) Minimum inside height of cavity	10 3/4	273
(H) Minimum inside width of cavity	28 1/2	724
(I) Minimum inside depth of cavity*	22 13/16	580
Recommended cabinet height	10 3/4	273
Recommended cabinet width	30	762

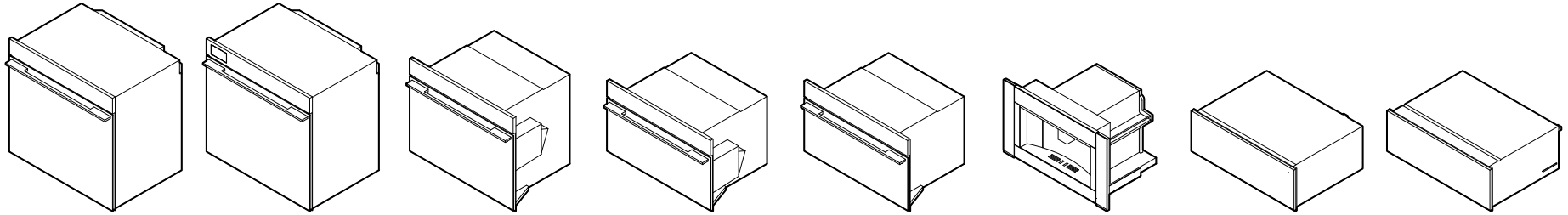
	inch	mm
(G) Minimum inside height of cavity	10 3/4	273
(H) Minimum inside width of cavity	28 1/2	724
(I) Minimum inside depth of cavity*	22 13/16	580
Recommended cabinet height	10 3/4	273
Recommended cabinet width	30	762

	inch	mm
(G) Minimum inside height of cavity	10 3/4	273
(H) Minimum inside width of cavity	28 1/2	724
(I) Minimum inside depth of cavity*	22 13/16	580
Recommended cabinet height	10 3/4	273
Recommended cabinet width	30	762

\*Measured from front of chassis.  
Note: Drawers can fully support 30inch Fisher & Paykel ovens, without adding shelf in between.

The models shown in this Planning Guide may not be available in all markets and are subject to change at any time. Product specifications may vary from those shown. This Planning Guide should not be used as installation guidance for any product. Further information is required to safely and correctly install the products featured here. Specific installation guidance will be available with the product on delivery and on our website fisherpaykel.com

ISOMETRIC  
VIEW

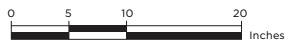
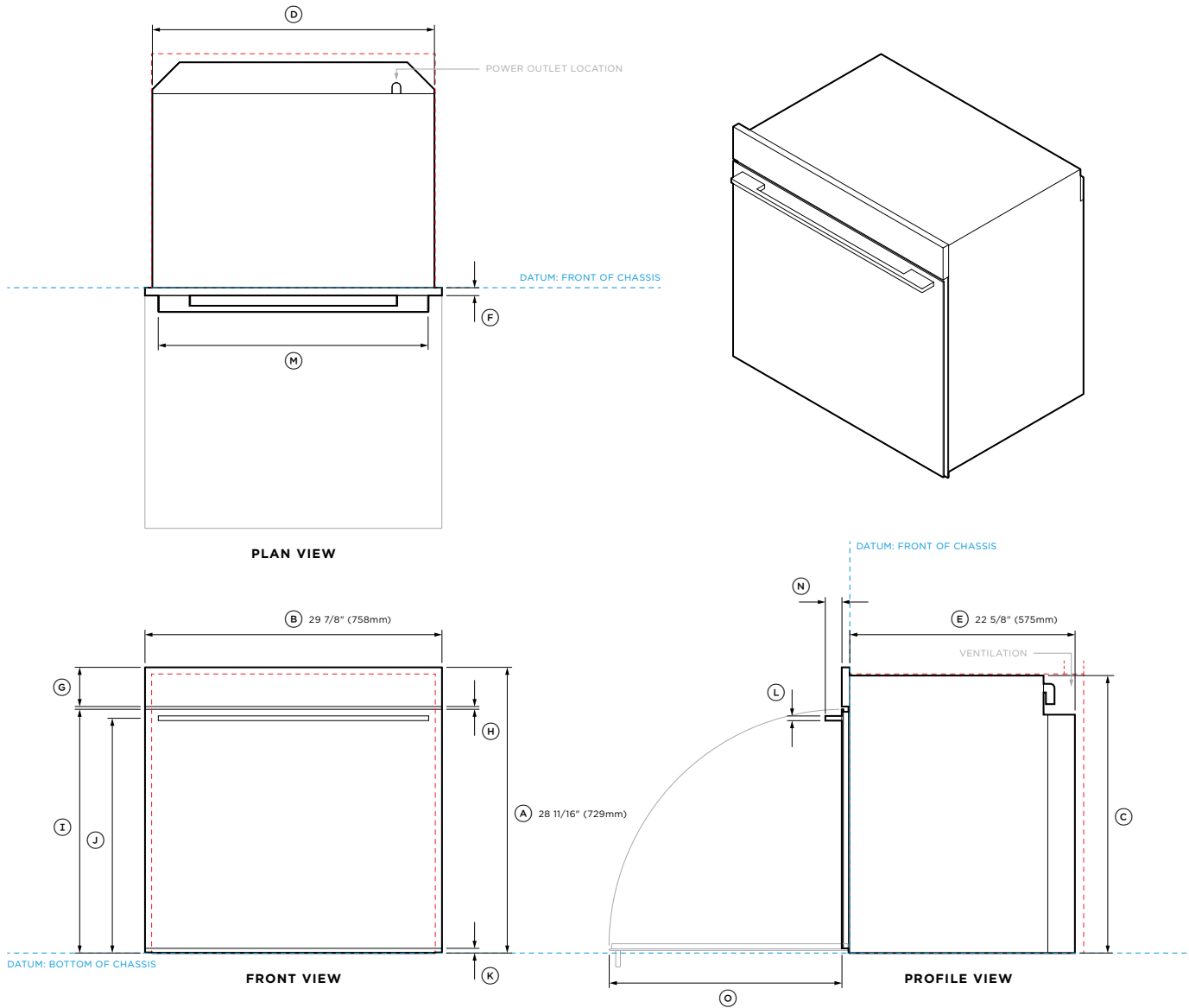


	<b>SELF-CLEANING OVEN</b> OB30SMPUB3, OB30SMPUG3	<b>SELF-CLEANING STEAM ASSIST OVEN</b> OB30SMPSUB3, OB30SMPSUG3	<b>COMBI-STEAM OVEN</b> OS30SMUB3, OS30SMUG3	<b>COMPACT COMBI-STEAM OVEN</b> OS30NMUB3, OS30NMUG3	<b>COMPACT CONVECTION-SPEED OVEN</b> OM30NMUB3, OM30NMUG3	<b>BUILT-IN COFFEE MAKER</b> EB30MSB3	<b>WARMING DRAWER</b> WB30SMB3, WB30SMG3, WB30SDEI3	<b>VACUUM SEAL DRAWER</b> VB30SMB3, VB30SMG3, VB30SDEI3
<b>PRODUCT REQUIREMENTS</b>								
Supply	208 or 240 V, 60 Hz	208 or 240 V, 60 Hz	208 or 240 V, 60 Hz	208 or 240 V, 60 Hz	208 or 240 V, 60 Hz	120 V, 60 Hz	120 V, 60 Hz	120 V, 60 Hz
Service	20 A	20 A	20 A	20 A	20 A	15 A	15 A	15 A
Connection	Hard wired 78 3/4"(2000mm)	Hard wired 78 3/4"(2000mm)	Hard wired 78 3/4"(2000mm)	Hard wired 78 3/4"(2000mm)	Hard wired 78 3/4"(2000mm)	Plug with flex cord 66 15/16" (1700mm)	Plug with flex cord 70 7/8" (1800mm)	Plug with flex cord 70 7/8" (1800mm)
<b>WEIGHT</b>								
Packaged	209lb (95kg)	214lb (97kg)	152lb (69kg)	121lb (55kg)	121lb (55kg)	72lb (33kg)	66lb(30kg) Integrated 60lb (27kg)	148lb(67kg) Integrated 106lb (48kg)
Unpackaged	176lb (80kg)	181lb (82kg)	119lb (54kg)	101lb (46kg)	101lb (46kg)	52lb (24kg)	55lb(25kg) Integrated 51lb (23kg)	121lb(55kg) Integrated 99lb (45kg)
<b>CAPACITY</b>								
Total Oven capacity	4.9cu ft (137L)	4.9cu ft (137L)	3cu ft (85L)	1.9cu ft (55L)	1.7cu ft (49L)	-	-	-
Total water tank capacity	-	22.65fl oz (0.67L)	47.3fl oz (1.4L)	47.3fl oz (1.4L)	-	81 fl oz (2.4L)	-	-

Note: All Coffee Makers and Steam Ovens have internal water tanks which need to be filled manually. No external water supply is required.

The models shown in this Planning Guide may not be available in all markets and are subject to change at any time. Product specifications may vary from those shown. This Planning Guide should not be used as installation guidance for any product. Further information is required to safely and correctly install the products featured here. Specific installation guidance will be available with the product on delivery and on our website fisherpaykel.com

## DATA SHEETS



**Model no:**

OB30SMPUB3 30" Series 9 Minimal Self-Cleaning Oven - Black  
 OB30SMPUG3 30" Series 9 Minimal Self-Cleaning Oven - Grey

Product Dimensions	inch	mm
(A) Overall height of product	28 11/16	729
(B) Overall width of product	29 7/8	758
(C) Height of chassis	27 7/8	708
(D) Width of chassis	28 3/8	720
(E) Depth of chassis	22 5/8	575
(F) Thickness of control panel (excludes handle)	13/16	20
(G) Height of control panel	3 15/16	100
(H) Gap between door and control panel	9/32	7
(I) Height from bottom datum to top of door	24 1/2	622
(J) Height from bottom datum to centerline of handle	23 19/32	599
(K) Visual gap height	15/32	12
(L) Thickness of handle	15/32	12
(M) Width of handle	27 5/32	690
(N) Depth of handle	1 21/32	42
(O) Depth with door fully open*	23 3/8	594

\*Measured from front of control panel.

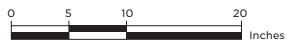
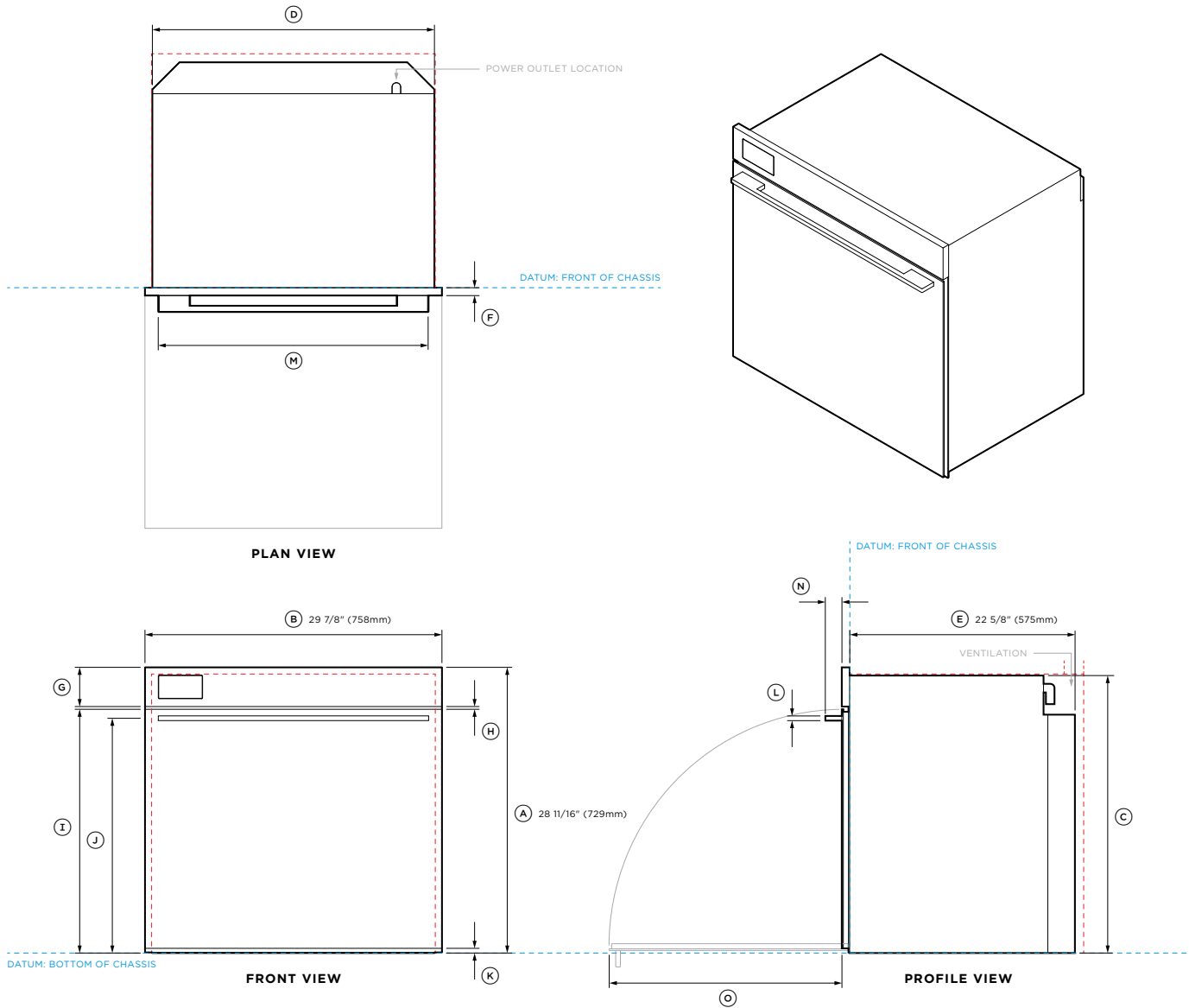
Minimum Clearances	inch	mm
Minimum inside height of cavity	28 1/32	712
Minimum inside width of cavity	28 1/2	724
Minimum inside depth of cavity*	23 1/2	597
Rear ventilation height**	2 5/32	55
Rear ventilation width**	24	600
Minimum clearance above products control panel to upper cabinetry front panel or appliance	1/16	2
Minimum clearance between adjacent front panel or appliance	1/16	2
Recommended cabinet height	28 3/4	731
Recommended cabinet width	30	762

\*Measured from front of chassis.

\*\*A minimum ventilation area of 51in<sup>2</sup> (330cm<sup>2</sup>), equivalent to 2" x 22 1/16" 2 5/32" x 24" (55mm x 600mm), is required. For more information, refer to the 'Ventilation' section of this Planning Guide.

----- INDICATES PRODUCT DATUM  
 - - - - - INDICATES CABINETRY CLEARANCES

IMPORTANT NOTE: Throughout this guide, dimensions may vary by ±2mm (1/16"). Please read the installation manual for detailed information on installing the product. For full installation instructions & specifications visit fisherpaykel.com



**Model no:**

- OB30SMPSUB3 30" Series 11 Minimal Self-Cleaning Steam Assist Oven - Black
- OB30SMPSUG3 30" Series 11 Minimal Self-Cleaning Steam Assist Oven - Grey

Product Dimensions		inch	mm
Ⓐ	Overall height of product	28 11/16	729
Ⓑ	Overall width of product	29 7/8	758
Ⓒ	Height of chassis	27 7/8	708
Ⓓ	Width of chassis	28 3/8	720
Ⓔ	Depth of chassis	22 5/8	575
Ⓕ	Thickness of control panel (excludes handle)	13/16	20
Ⓖ	Height of control panel	3 15/16	100
Ⓗ	Gap between door and control panel	9/32	7
Ⓘ	Height from bottom datum to top of door	24 1/2	622
Ⓝ	Height from bottom datum to centerline of handle	23 19/32	599
Ⓚ	Visual gap height	15/32	12
Ⓛ	Thickness of handle	15/32	12
Ⓜ	Width of handle	27 5/32	690
Ⓝ	Depth of handle	1 21/32	42
Ⓞ	Depth with door fully open*	23 3/8	594

\*Measured from front of control panel.

Minimum Clearances		inch	mm
	Minimum inside height of cavity	28 1/32	712
	Minimum inside width of cavity	28 1/2	724
	Minimum inside depth of cavity*	23 1/2	597
	Rear ventilation height**	2 5/32	55
	Rear ventilation width**	24	600
	Minimum clearance above products control panel to upper cabinetry front panel or appliance	1/16	2
	Minimum clearance between adjacent front panel or appliance	1/16	2
	Recommended cabinet height	28 3/4	731
	Recommended cabinet width	30	762

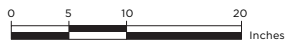
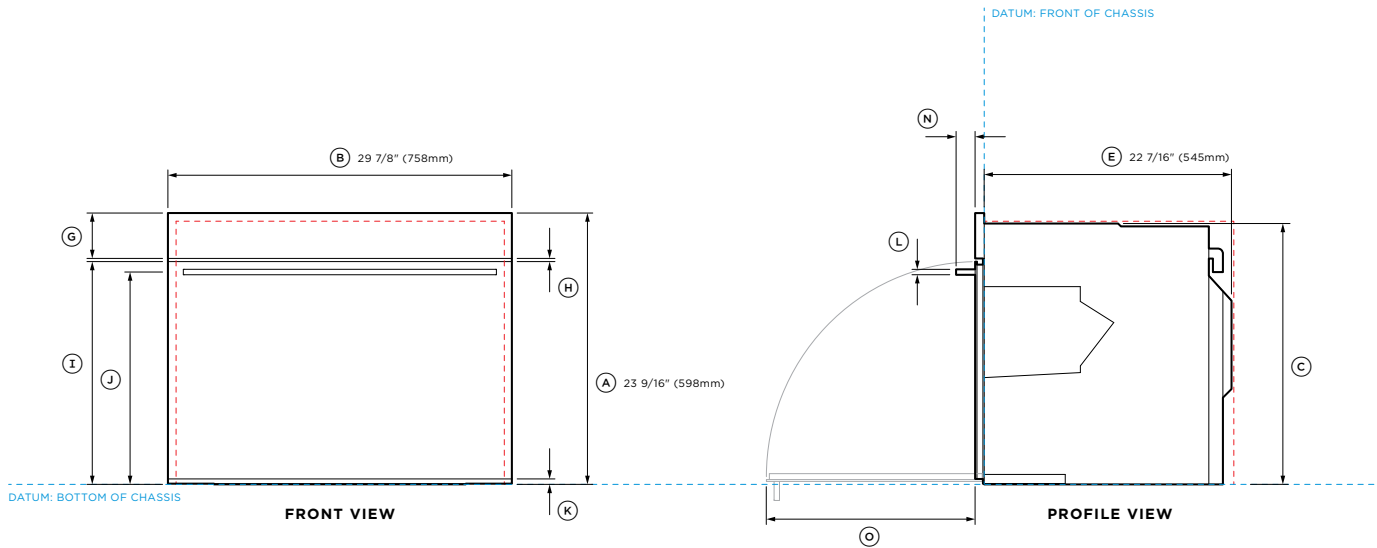
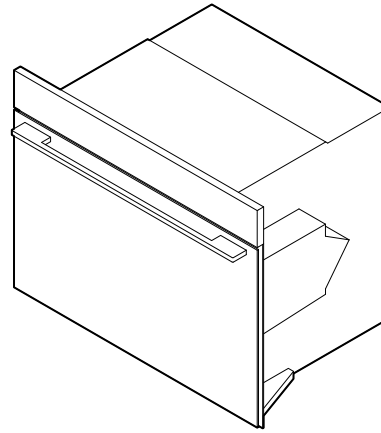
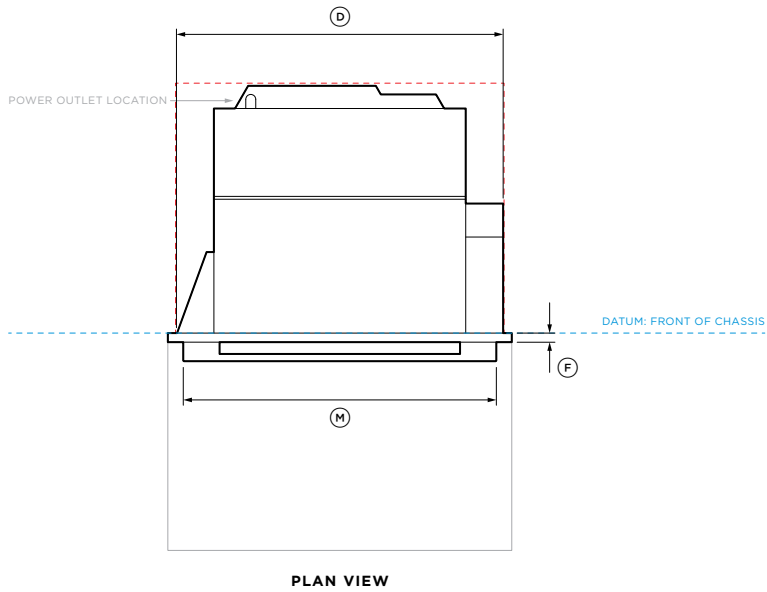
\*Measured from front of chassis.

\*\*A minimum ventilation area of 51in<sup>2</sup> (330cm<sup>2</sup>), equivalent to 2" x 22 1/16" 2 5/32" x 24" (55mm x 600mm), is required. For more information, refer to the 'Ventilation' section of this Planning Guide.

----- INDICATES PRODUCT DATUM

----- INDICATES CABINETRY CLEARANCES

IMPORTANT NOTE: Throughout this guide, dimensions may vary by ±2mm (1/16"). Please read the installation manual for detailed information on installing the product. For full installation instructions & specifications visit [fisherpaykel.com](http://fisherpaykel.com)



**Model no:**

OS30SMUB3	30" Series 11 Minimal Combi-Steam Oven - Black
OS30SMUG3	30" Series 11 Minimal Combi-Steam Oven - Grey

**Product Dimensions**

	inch	mm
(A) Overall height of product	23 9/16	598
(B) Overall width of product	29 7/8	758
(C) Height of chassis	22 5/8	575
(D) Width of chassis	28 3/8	720
(E) Depth of chassis	22 7/16	545
(F) Thickness of control panel (excludes handle)	18 1/8	20
(G) Height of control panel	3 15/16	100
(H) Gap between door and control panel	9/32	7
(I) Height from bottom datum to top of door	19 5/16	491
(J) Height from bottom datum to centerline of handle	18 7/16	468
(K) Visual gap height	15/32	12
(L) Thickness of handle	15/32	12
(M) Width of handle	27 5/32	690
(N) Depth of handle	1 21/32	42
(O) Depth with door fully open*	18 1/8	460

\*Measured from front of control panel.

**Minimum Clearances**

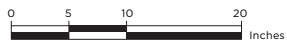
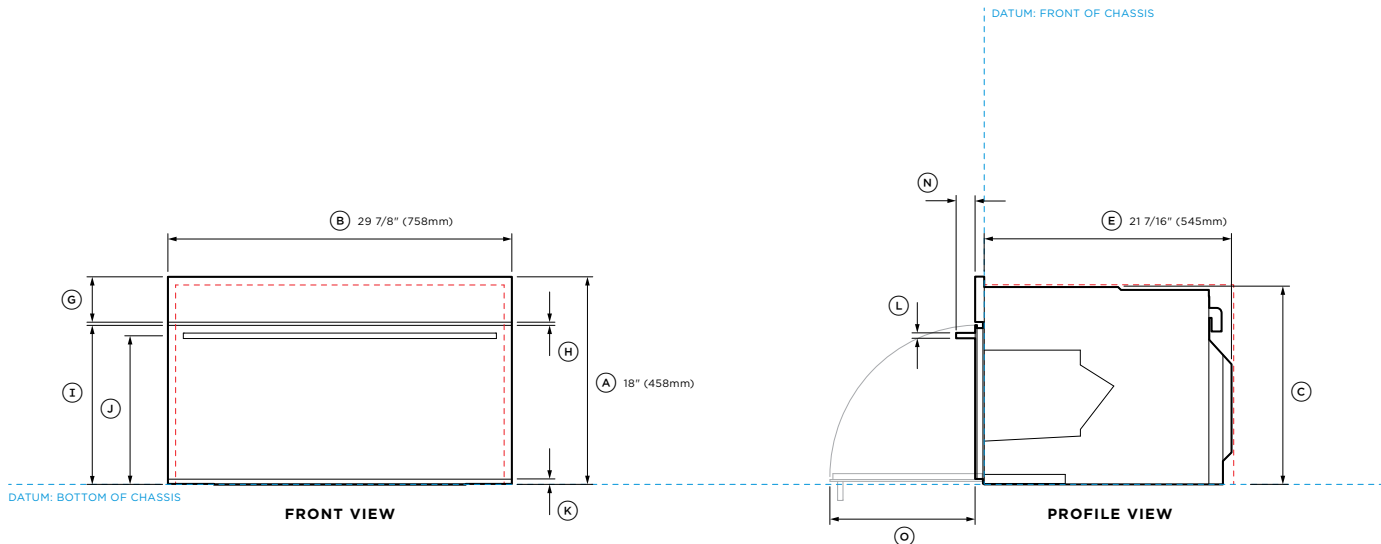
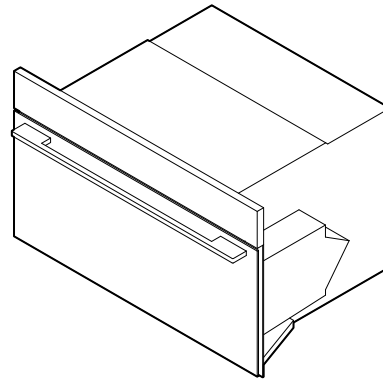
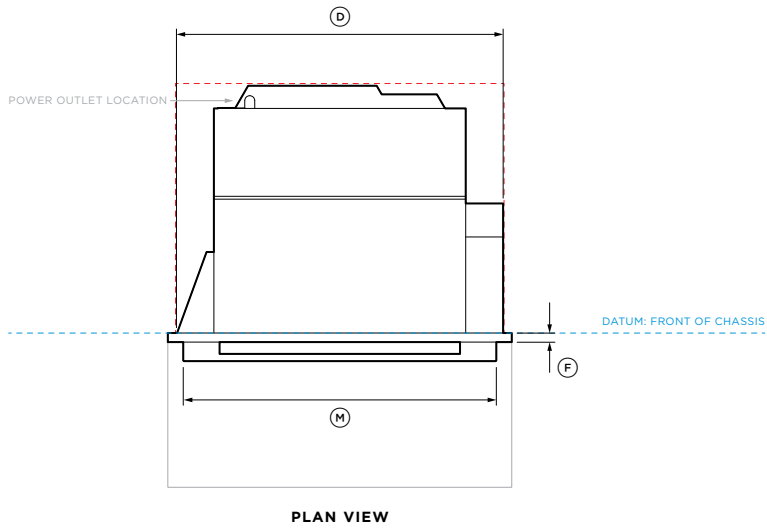
	inch	mm
Minimum inside height of cavity	22 13/16	580
Minimum inside width of cavity	28 1/2	724
Minimum inside depth of cavity*	21 5/8	550
Minimum clearance above products control panel to upper cabinetry front panel or appliance	1/16	2
Minimum clearance between adjacent front panel or appliance	1/16	2
Recommended cabinet height	24	600
Recommended cabinet width	30	762

\*Measured from front of chassis.

----- INDICATES PRODUCT DATUM

----- INDICATES CABINETRY CLEARANCES

IMPORTANT NOTE: Throughout this guide, dimensions may vary by ±2mm (1/16"). Please read the installation manual for detailed information on installing the product. For full installation instructions & specifications visit [fisherpaykel.com](http://fisherpaykel.com)



**Model no:**

OS30NMUB3	30" Series 9 Minimal Compact Combi-Steam Oven - Black
OS30NMUG3	30" Series 9 Minimal Compact Combi-Steam Oven - Grey

Product Dimensions	inch	mm
(A) Overall height of product	18	458
(B) Overall width of product	29 7/8	758
(C) Height of chassis	17 1/8	435
(D) Width of chassis	28 3/8	720
(E) Depth of chassis	21 7/16	545
(F) Thickness of control panel (excludes handle)	13/16	20
(G) Height of control panel	3 15/16	100
(H) Gap between door and control panel	9/32	7
(I) Height from bottom datum to top of door	13 13/16	351
(J) Height from bottom datum to centerline of handle	12 29/32	328
(K) Visual gap height	15/32	12
(L) Thickness of handle	15/32	12
(M) Width of handle	27 5/32	690
(N) Depth of handle	1 21/32	42
(O) Depth with door fully open*	12 5/8	320

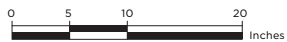
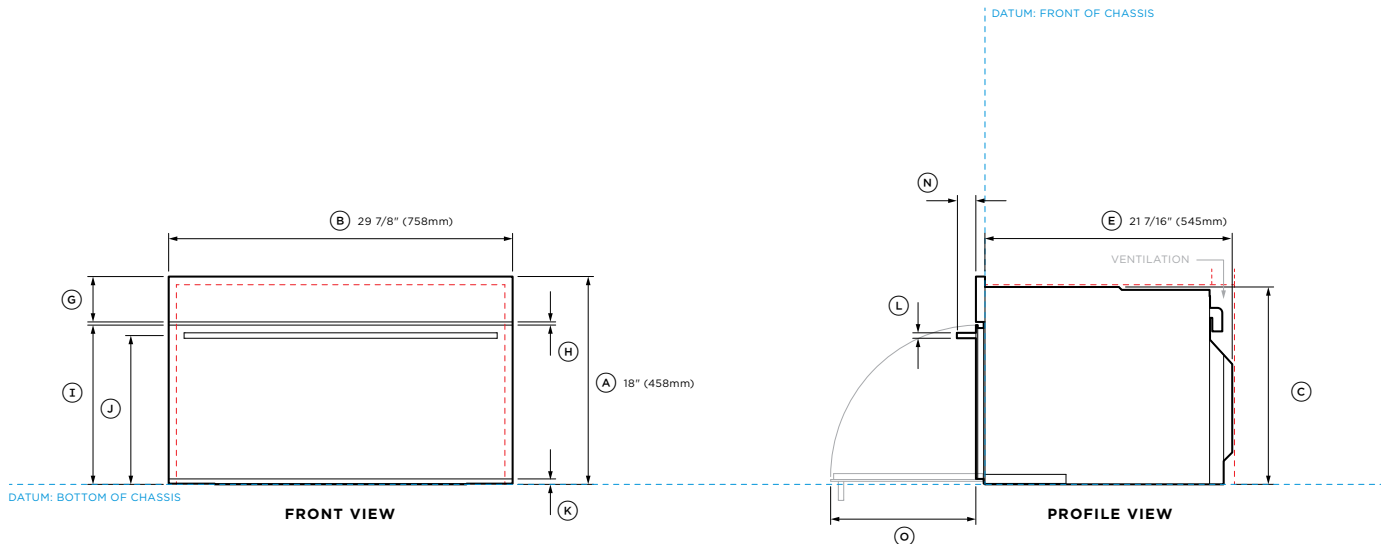
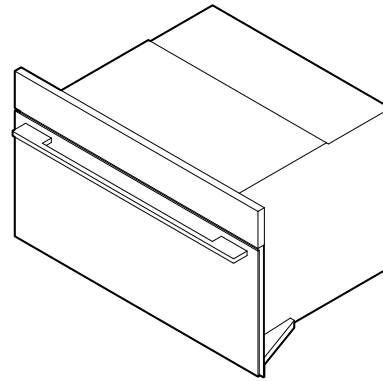
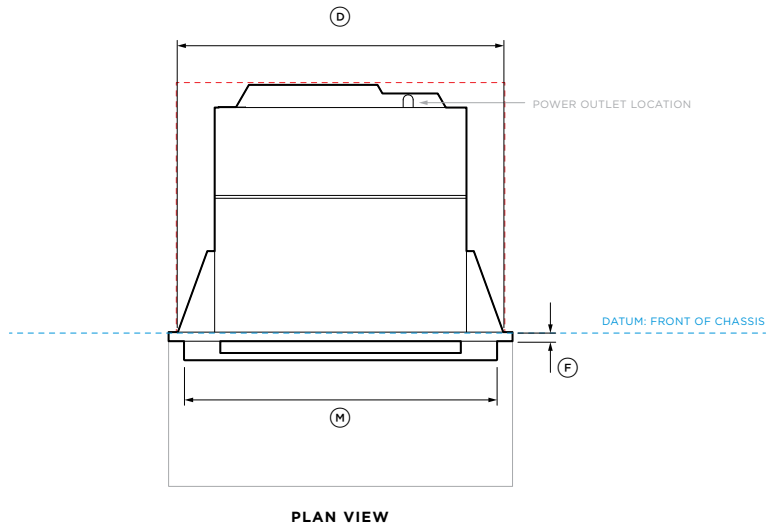
\*Measured from front of control panel.

Minimum Clearances	inch	mm
Minimum inside height of cavity	17 5/16	440
Minimum inside width of cavity	28 1/2	724
Minimum inside depth of cavity*	21 5/8	550
Minimum clearance above products control panel to upper cabinetry front panel or appliance	1/16	2
Minimum clearance between adjacent front panel or appliance	1/16	2
Recommended cabinet height	18 1/8	460
Recommended cabinet width	30	762

\*Measured from front of chassis.

----- INDICATES PRODUCT DATUM  
 - - - - - INDICATES CABINETRY CLEARANCES

IMPORTANT NOTE: Throughout this guide, dimensions may vary by ±2mm (1/16"). Please read the installation manual for detailed information on installing the product. For full installation instructions & specifications visit [fisherpaykel.com](http://fisherpaykel.com)



**Model no:**

OM30NMUB3	30" Series 9 Minimal Compact Convection-Speed Oven - Black
OM30NMUG3	30" Series 9 Minimal Compact Convection-Speed Oven - Grey

**Product Dimensions**

	inch	mm
A Overall height of product	18	458
B Overall width of product	29 7/8	758
C Height of chassis	17 1/8	435
D Width of chassis	28 3/8	720
E Depth of chassis	21 7/16	545
F Thickness of control panel (excludes handle)	13/16	20
G Height of control panel	3 15/16	100
H Gap between door and control panel	9/32	7
I Height from bottom datum to top of door	13 13/16	351
J Height from bottom datum to centerline of handle	12 29/32	328
K Visual gap height	15/32	12
L Thickness of handle	15/32	12
M Width of handle	27 5/32	690
N Depth of handle	1 21/32	42
O Depth with door fully open*	12 5/8	320

\*Measured from front of control panel.

**Minimum Clearances**

	inch	mm
Minimum inside height of cavity	17 5/16	440
Minimum inside width of cavity	28 1/2	724
Minimum inside depth of cavity*	21 5/8	550
Rear ventilation height**	2	50
Rear ventilation width**	22 1/16	560
Minimum clearance above products control panel to upper cabinetry front panel or appliance	1/16	2
Minimum clearance between adjacent front panel or appliance	1/16	2
Recommended cabinet height	18 1/8	460
Recommended cabinet width	30	762

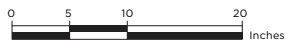
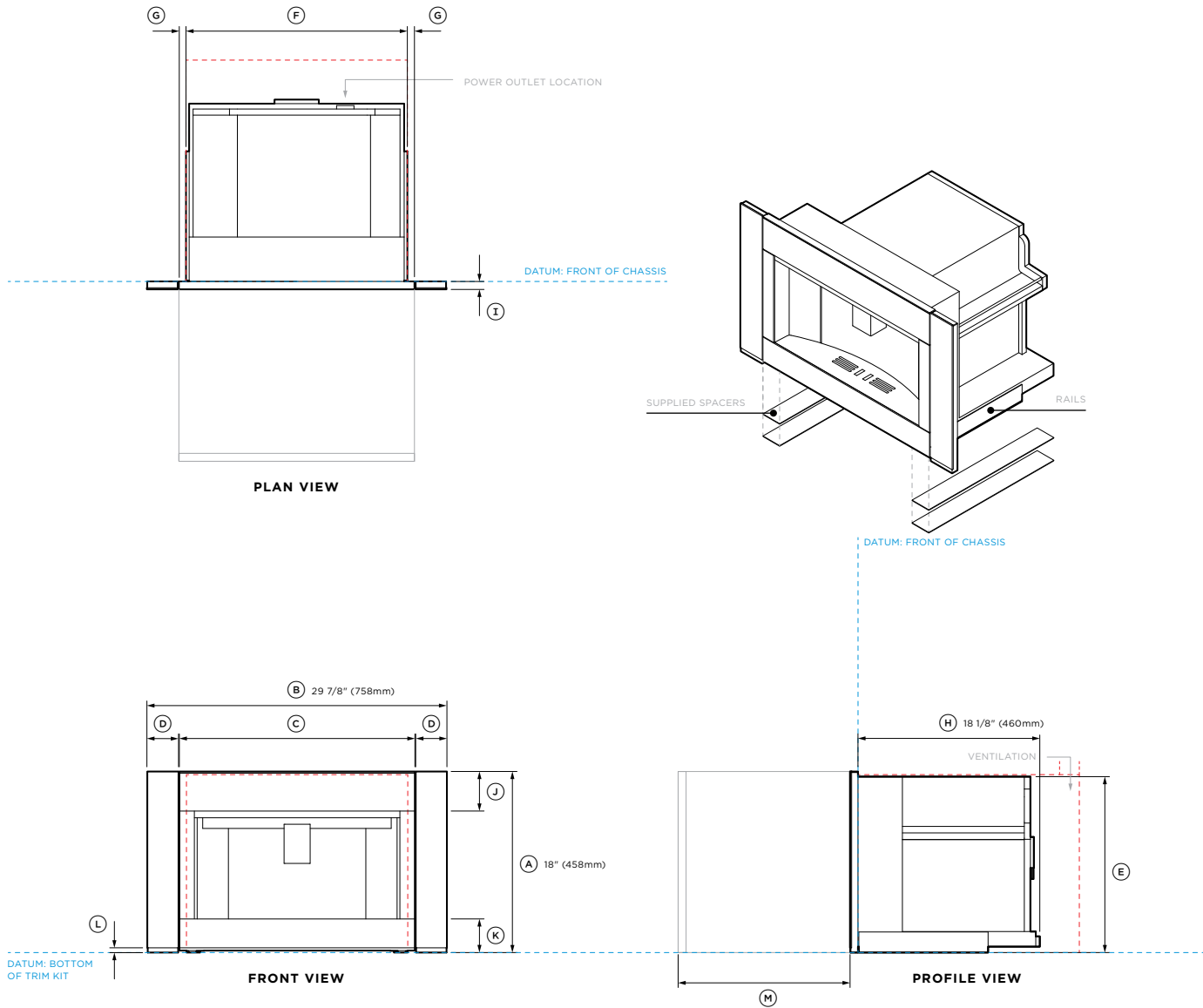
\*Measured from front of chassis.

\*\*A minimum ventilation area of 43.4in<sup>2</sup> (280cm<sup>2</sup>), equivalent to 2" x 22 1/16" (50mm x 560mm), is required. For more information, refer to the 'Ventilation' section of this Planning Guide.

----- INDICATES PRODUCT DATUM

----- INDICATES CABINETRY CLEARANCES

IMPORTANT NOTE: Throughout this guide, dimensions may vary by ±2mm (1/16"). Please read the installation manual for detailed information on installing the product. For full installation instructions & specifications visit [fisherpaykel.com](http://fisherpaykel.com)



**Model no:**  
EB30MSB3 30" Series 9 Minimal Built-in Coffee Maker - Black

Product Dimensions		inch	mm
(A)	Overall height of product	18	458
(B)	Overall width of product	29 7/8	758
(C)	Width of built-in coffee maker	23 15/32	596
(D)	Width of trim kit	3 1/8	79
(E)	Height of chassis	17 1/2	445
(F)	Width of chassis	22 1/16	560
(G)	Distance from side of chassis to front panel	23/32	18
(H)	Depth of chassis	18 1/8	460
(I)	Thickness of control panel	13/16	20
(J)	Height of control panel	3 15/16	100
(K)	Height of horizontal lower section from bottom datum	3 11/32	85
(L)	Visual gap height	15/32	12
(M)	Depth of built-in coffee maker fully pulled out*	17 1/8	435

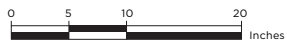
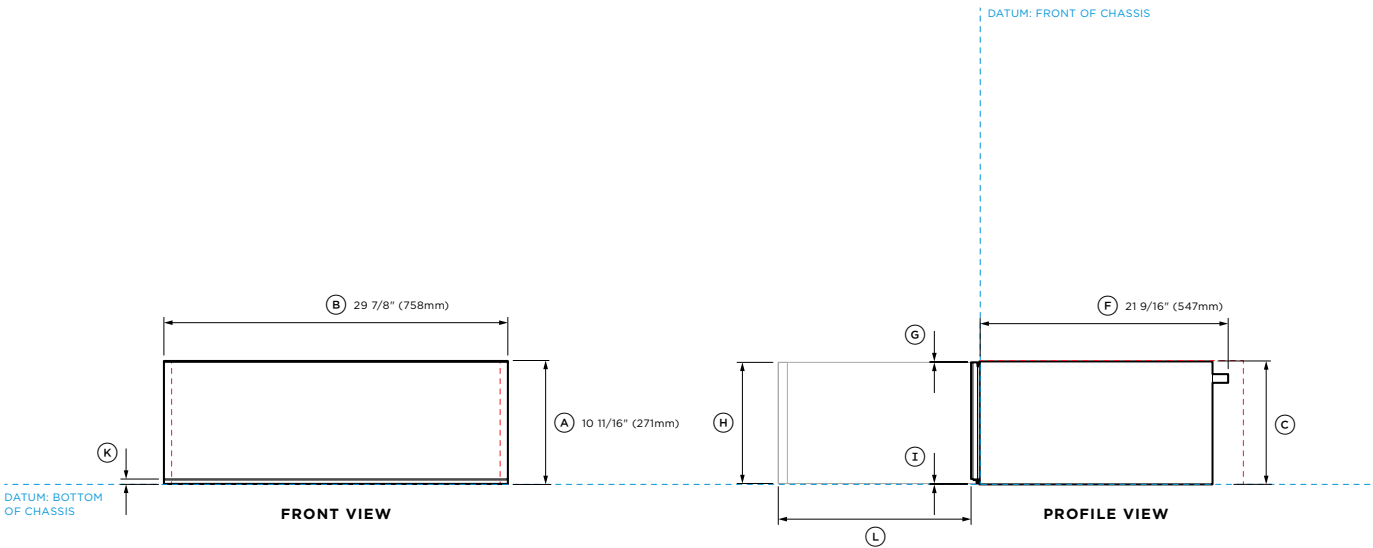
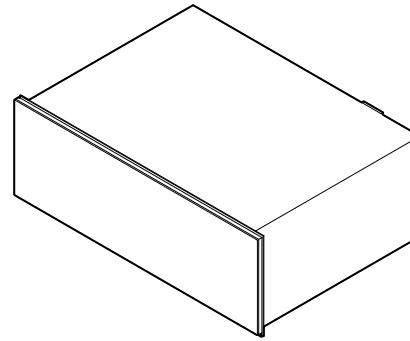
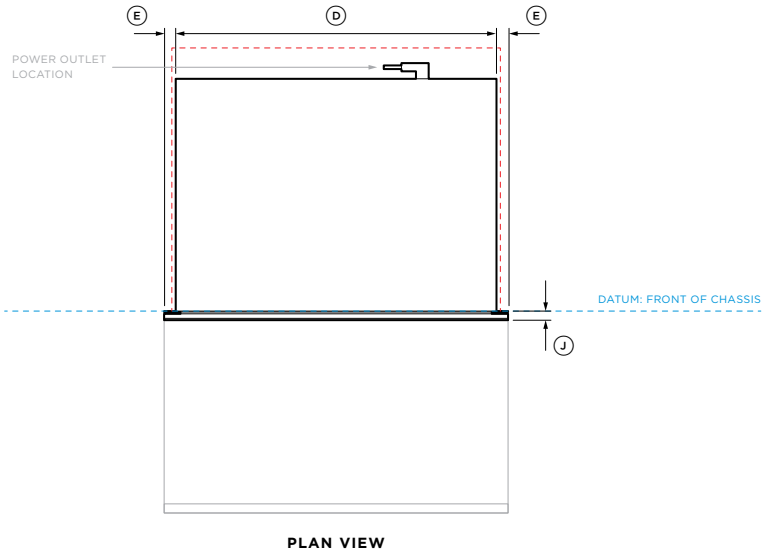
\*Measured from front of control panel.

Minimum Clearances		inch	mm
Minimum inside height of cavity		17 3/4	450
Minimum inside width of cavity*		22 1/16	560
Minimum inside depth of cavity**		22 1/16	560
Rear ventilation height***		2	50
Rear ventilation width***		22 1/16	560
Minimum clearance above products control panel to upper cabinetry front panel or appliance		1/16	2
Minimum clearance between adjacent front panel or appliance		1/16	2
Recommended cabinet height		18 1/8	460
Recommended cabinet width		30	762

\*Cabinetry requires additional vertical sidewalls to secure the product.  
 \*\*Measured from front of chassis.  
 \*\*\*A minimum ventilation area of 43.4in<sup>2</sup> (280cm<sup>2</sup>), equivalent to 2" x 22 1/16" (50mm x 560mm), is required. For more information, refer to the 'Ventilation' section of this Planning Guide.

----- INDICATES PRODUCT DATUM  
 ----- INDICATES CABINETRY CLEARANCES

IMPORTANT NOTE: Throughout this guide, dimensions may vary by ±2mm (1/16"). Please read the installation manual for detailed information on installing the product. For full installation instructions & specifications visit fisherpaykel.com



**Model no:**

WB30SMB3 30" Series 9 Minimal Warming Drawer - Black  
WB30SMG3 30" Series 9 Minimal Warming Drawer - Grey

Product Dimensions	inch	mm
(A) Overall height of product	10 11/16	271
(B) Overall width of product	29 7/8	758
(C) Height of chassis	10 11/16	271
(D) Width of chassis	27 3/4	704
(E) Distance from side of chassis to front panel	1	25.5
(F) Depth of chassis (including power plug)	21 9/16	547
(G) Height from top of front panel to top of chassis	1/16	2
(H) Height of front panel	10 1/2	267
(I) Height from bottom datum to bottom of front panel	1/16	2
(J) Thickness of front panel	13/16	20
(K) Visual gap height	15/32	12
(L) Depth of drawer open*	16 3/4	425

\*Measured from front of front panel.

Minimum Clearances	inch	mm
Minimum inside height of cavity	10 3/4	273
Minimum inside width of cavity	28 1/2	724
Minimum inside depth of cavity*	22 13/16	580
Minimum clearance above products front panel to upper cabinetry front panel or appliance**	5/32	4
Minimum clearance between adjacent front panel or appliance	1/16	2
Recommended cabinet height	10 3/4	273
Recommended cabinet width	30	762

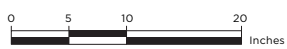
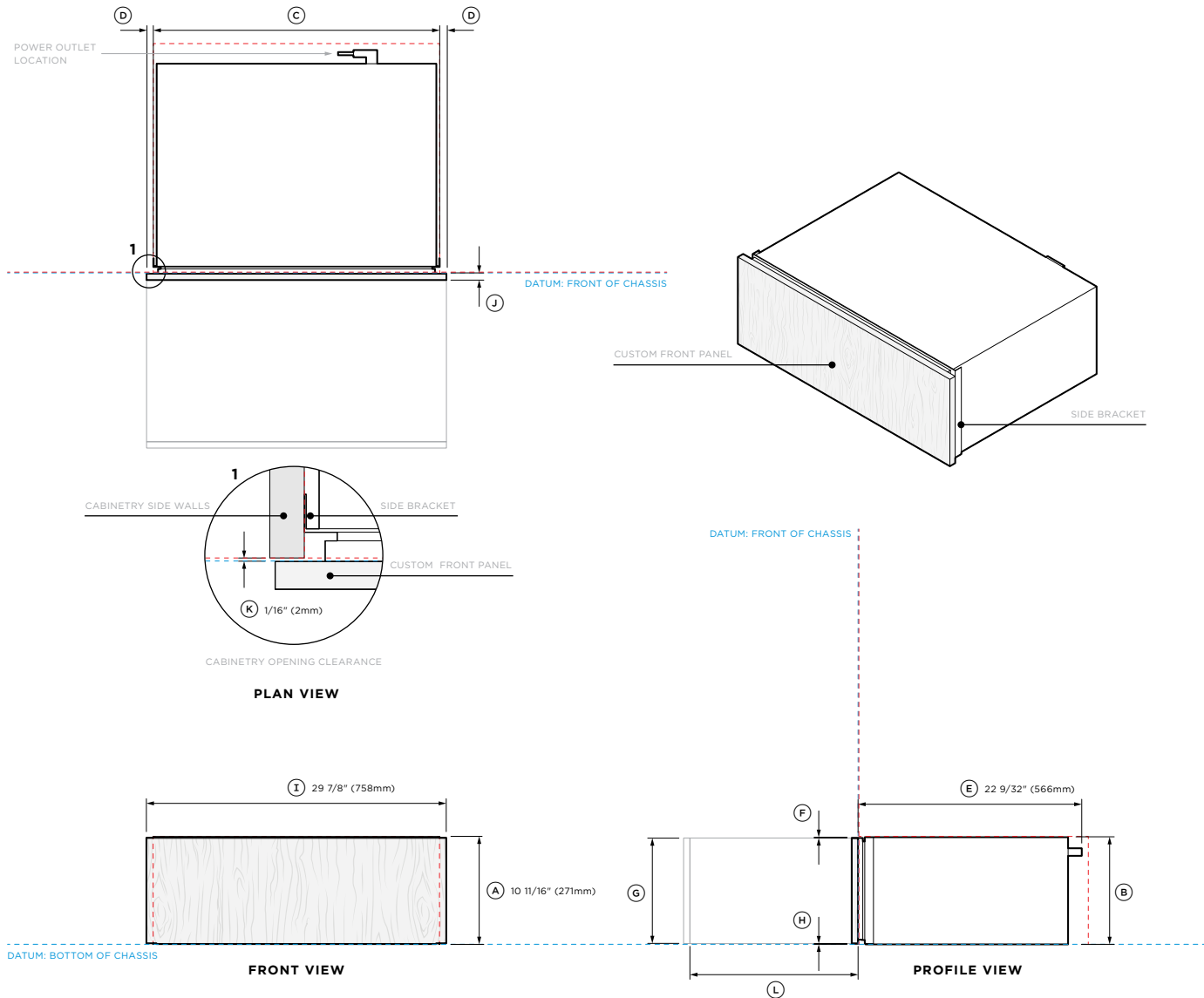
\*Measured from front of chassis.

\*\*Achieve a smaller gap between product front panel to upper cabinetry front panel by dropping cabinetry front panel down.

Note: Drawers can fully support 30inch Fisher & Paykel ovens, without adding shelf in between.

----- INDICATES PRODUCT DATUM  
----- INDICATES CABINETRY CLEARANCES

IMPORTANT NOTE: Throughout this guide, dimensions may vary by ±2mm (1/16"). Please read the installation manual for detailed information on installing the product. For full installation instructions & specifications visit [fisherpaykel.com](http://fisherpaykel.com)



**Model no:**

WB30SDEI3 30" Series 9 Integrated Warming Drawer

Product Dimensions	inch	mm
(A) Overall height of product	10 11/16	271
(B) Height of chassis	10 11/16	271
(C) Width of chassis (including side bracket)	28 15/32	723
(D) Distance from side bracket to custom front panel	11/16	17
(E) Depth of chassis (including power plug)	22 9/32	566
(F) Height from top of custom front panel to top of chassis	1/16	2
(G) Height of custom front panel	min 10 1/2	min 267
(H) Height from bottom datum to bottom of custom front panel	1/16	2
(I) Width of custom front panel	min 29 7/8	min 758
(J) Thickness of custom front panel	min 5/8	min 16
(K) Clearance behind custom front panel for push-to-open mechanism*	1/16	2
(L) Depth of drawer open**	16 3/4	425

\*A clearance of 1/16" (2mm) between the cabinet and the custom front panel is required for the push-to-open mechanism (spacer included).

\*\*Measured from front of chassis.

Note: Maximum custom front panel weight 11 lb (5kg).

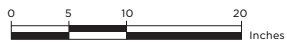
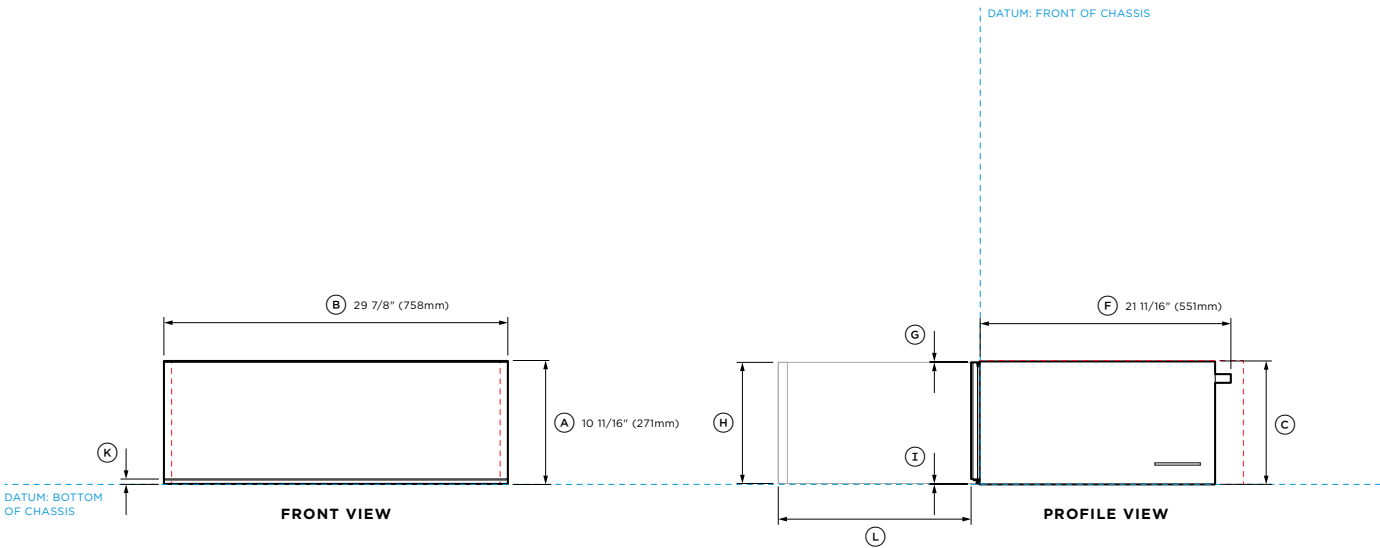
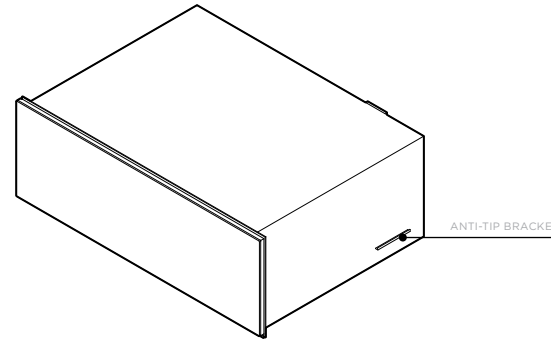
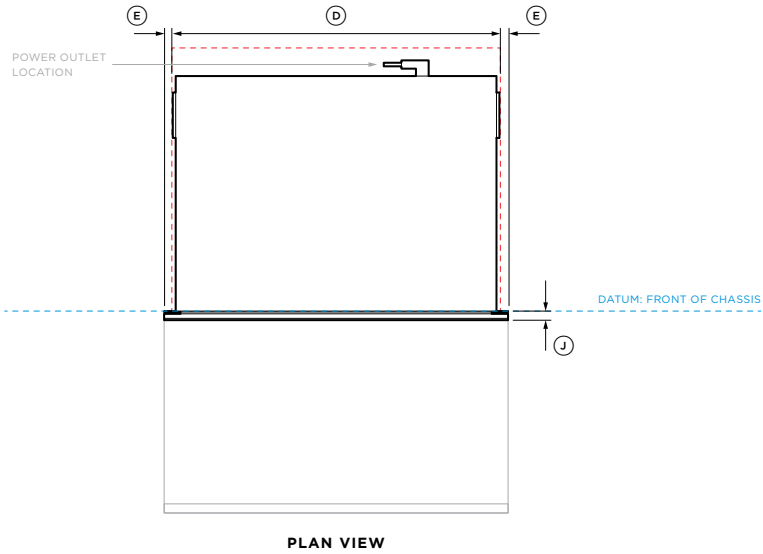
Minimum Clearances	inch	mm
Minimum inside height of cavity	10 3/4	273
Minimum inside width of cavity	28 1/2	724
Minimum inside depth of cavity*	22 13/16	580
Minimum clearance above product custom front panel to upper cabinetry front panel or appliance	1/16	2
Minimum clearance between adjacent front panel or appliance	1/16	2
Recommended cabinet height	10 3/4	273
Recommended cabinet width	30	762

\*Measured from front of chassis.

Note: Drawers can fully support 30inch Fisher & Paykel ovens, without adding shelf in between.

----- INDICATES PRODUCT DATUM  
 - - - - - INDICATES CABINETY CLEARANCES

IMPORTANT NOTE: Throughout this guide, dimensions may vary by ±2mm (1/16"). Please read the installation manual for detailed information on installing the product. For full installation instructions & specifications visit [fisherpaykel.com](http://fisherpaykel.com)



**Model no:**

VB30SMB3 30" Series 9 Minimal Vacuum Seal Drawer - Black  
 VB30SMG3 30" Series 9 Minimal Vacuum Seal Drawer - Grey

Product Dimensions	inch	mm
(A) Overall height of product	10 11/16	271
(B) Overall width of product	29 7/8	758
(C) Height of chassis	10 11/16	271
(D) Width of chassis*	27 3/4	704
(E) Distance from side of chassis to front panel	11/16	17
(F) Depth of chassis (including power plug)	21 11/16	551
(G) Height from top of front panel to top of chassis	1/16	2
(H) Height of front panel	10 1/2	267
(I) Height from bottom datum to bottom of front panel	1/16	2
(J) Thickness of front panel	13/16	20
(K) Visual gap height	15/32	12
(L) Depth of drawer open**	16 3/4	425

\*Including anti-tip brackets.  
 \*\*Measured from front of front panel.

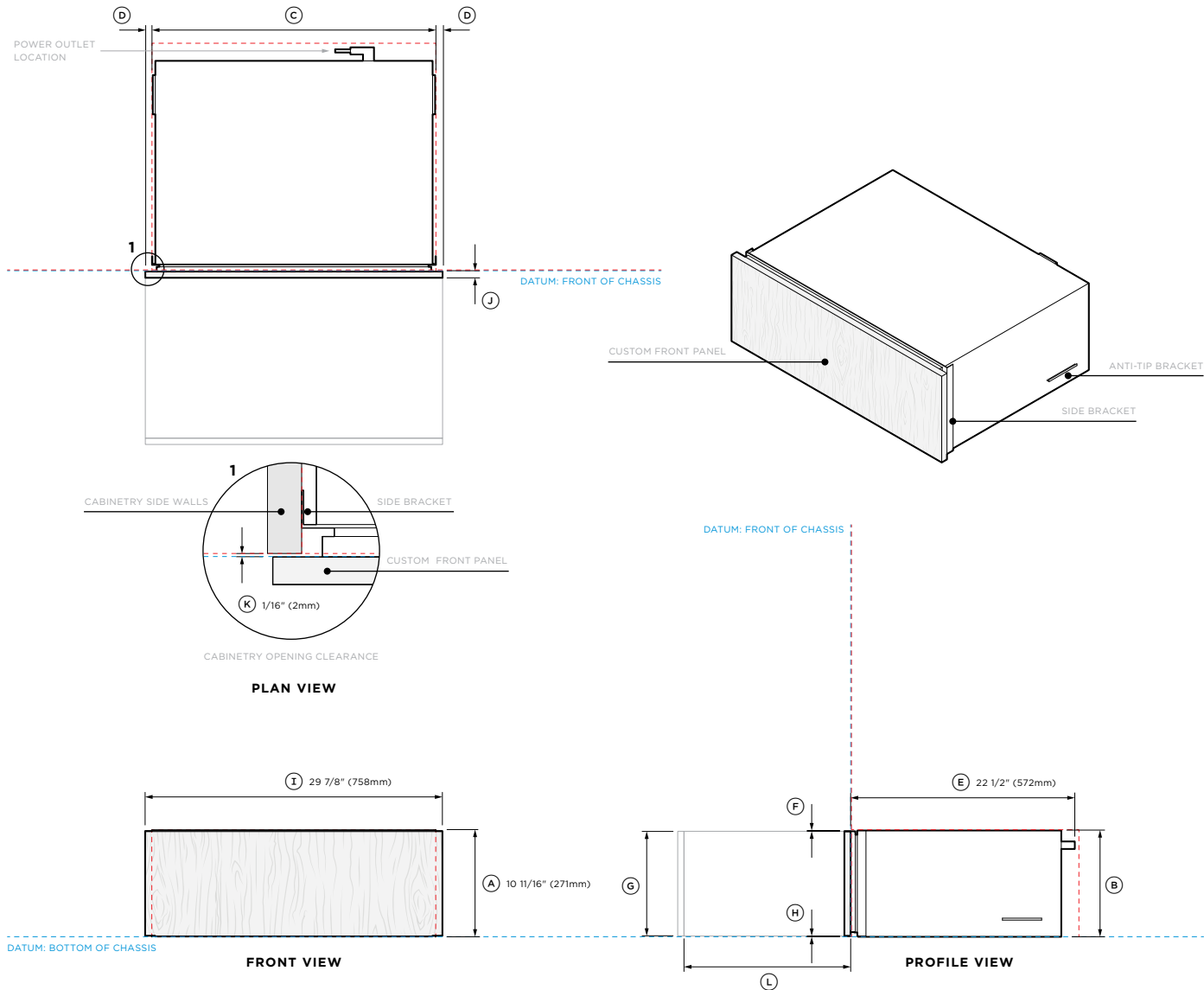
Minimum Clearances	inch	mm
Minimum inside height of cavity	10 3/4	273
Minimum inside width of cavity*	28 1/2	724
Minimum inside depth of cavity**	22 13/16	580
Minimum clearance above products front panel to upper cabinetry front panel or appliance***	5/32	4
Minimum clearance between adjacent front panel or appliance	1/16	2
Recommended cabinet height	10 3/4	273
Recommended cabinet width	30	762

\*Including anti-tip brackets.  
 \*\*Measured from front of chassis.  
 \*\*\*Achieve a smaller gap between product front panel to upper cabinetry front panel by dropping cabinetry front panel down.

Note: Drawers can fully support 30inch Fisher & Paykel ovens, without adding shelf in between.

----- INDICATES PRODUCT DATUM  
 ----- INDICATES CABINETRY CLEARANCES

IMPORTANT NOTE: Throughout this guide, dimensions may vary by ±2mm (1/16"). Please read the installation manual for detailed information on installing the product. For full installation instructions & specifications visit fisherpaykel.com



**Model no:**  
VB30SDEI3 30" Series 9 Integrated Vacuum Seal Drawer

Product Dimensions	inch	mm
(A) Overall height of product	10 11/16	271
(B) Height of chassis	10 11/16	271
(C) Width of chassis (including side bracket)*	28 15/32	723
(D) Distance from side bracket to custom front panel	11/16	17
(E) Depth of chassis (including power plug)	22 1/2	572
(F) Height from top of custom front panel to top of chassis	1/16	2
(G) Height of custom front panel	min 10 1/2	min 267
(H) Height from bottom datum to bottom of custom front panel	1/16	2
(I) Width of custom front panel	min 29 7/8	min 758
(J) Thickness of custom front panel	min 5/8	min 16
(K) Clearance behind custom front panel for push-to-open mechanism**	1/16	2
(L) Depth of drawer open***	16 3/4	425

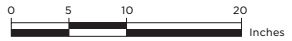
\*Including anti-tip brackets.  
 \*\*A clearance of 1/16" (2mm) between the cabinet and the custom front panel is required for the push-to-open mechanism (spacer included).  
 \*\*\*Measured from front of chassis.  
 Note: Maximum custom front panel weight 11 lb (5kg).

Minimum Clearances	inch	mm
Minimum inside height of cavity	10 3/4	273
Minimum inside width of cavity*	28 1/2	724
Minimum inside depth of cavity**	22 13/16	580
Minimum clearance above product custom front panel to upper cabinetry front panel or appliance	1/16	2
Minimum clearance between adjacent front panel or appliance	1/16	2
Recommended cabinet height	10 3/4	273
Recommended cabinet width	30	762

\*Including anti-tip brackets.  
 \*\*Measured from front of chassis.  
 Note: Drawers can fully support 30inch Fisher & Paykel ovens, without adding shelf in between.

----- INDICATES PRODUCT DATUM  
 - - - - - INDICATES CABINETY CLEARANCES

IMPORTANT NOTE: Throughout this guide, dimensions may vary by ±2mm (1/16"). Please read the installation manual for detailed information on installing the product. For full installation instructions & specifications visit fisherpaykel.com



## PLANNING CONSIDERATIONS

**DIVIDING SHELF**

If the appliance front panel is thicker than the cabinetry front panel, adjust the dividing shelf depth to ensure the oven sits flush with the front of the cabinetry.

**BLACK CLASHING**

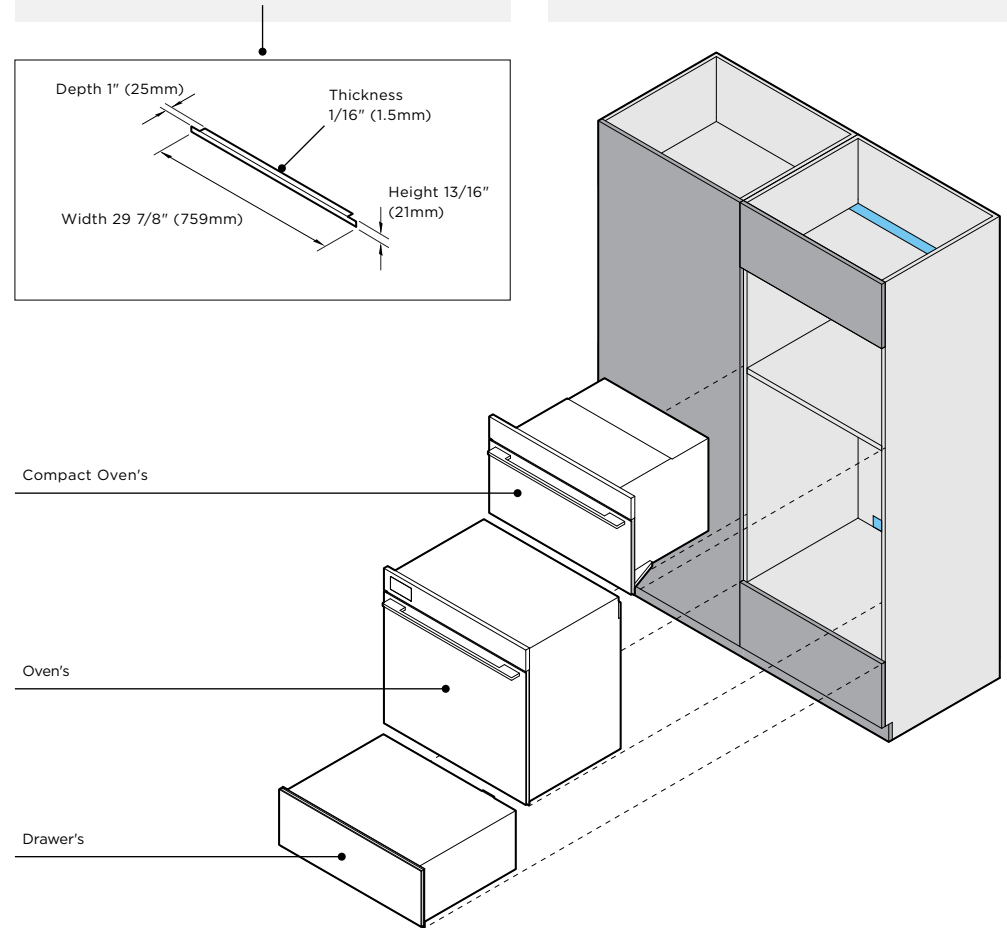
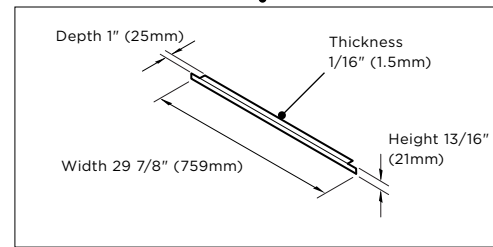
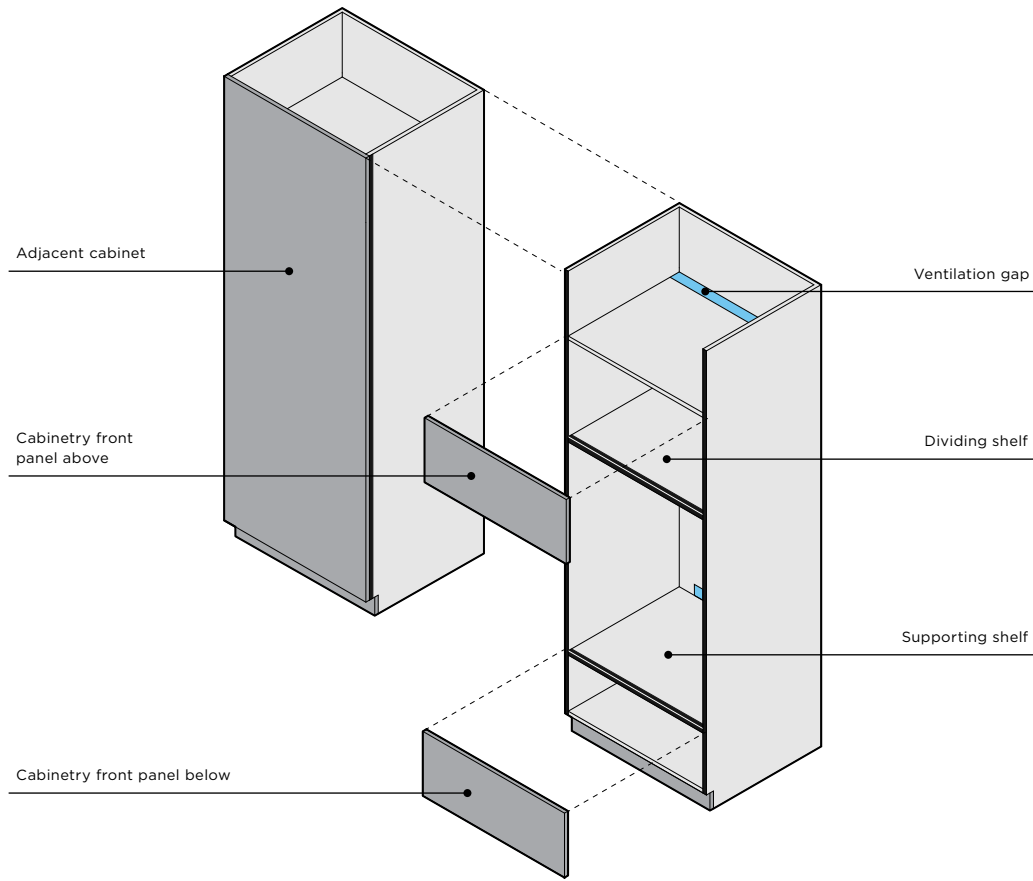
Black clashing is recommended on front facing edges and openings where products are located and on side cabinets if cabinet is rebated.

**OVEN CABINETRY TRIM**

If using light-colored cabinets, we recommend using black cabinetry trim to help hide the cabinetry beneath the front door panel of the appliance. Ensure the trim height does not interfere with any appliances or cabinetry below. Black cabinetry trim is included with ovens.

**LEVEL CABINETRY**

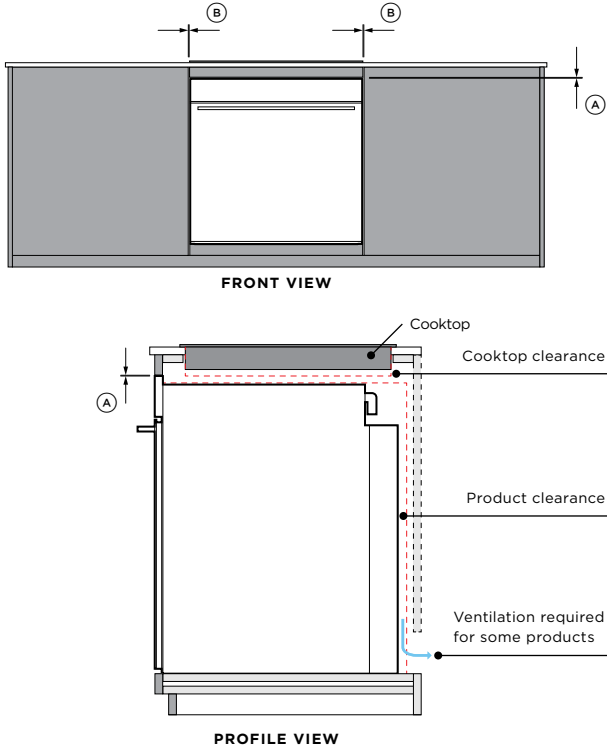
Check the shelves are level and the side panels are straight.



The models shown in this Planning Guide may not be available in all markets and are subject to change at any time. Product specifications may vary from those shown. This Planning Guide should not be used as installation guidance for any product. Further information is required to safely and correctly install the products featured here. Specific installation guidance will be available with the product on delivery and on our website [fisherpaykel.com](http://fisherpaykel.com)

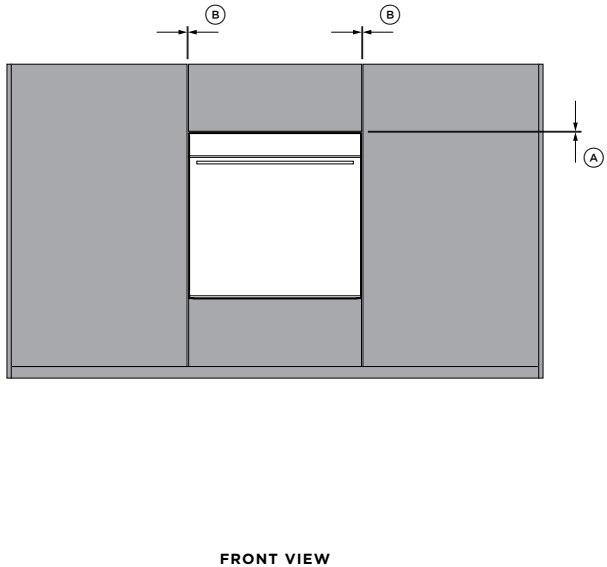
**UNDERBENCH**

If installing a cooktop above the oven, ensure adequate clearance is provided for the cooktop as per the cooktop manufacturer's instructions.



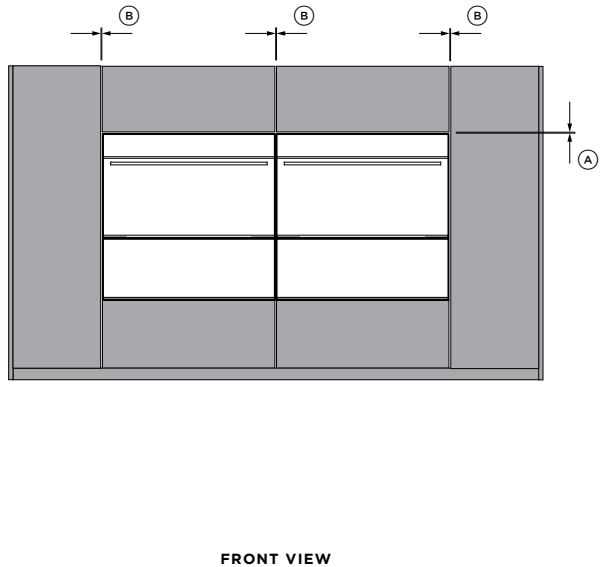
**SINGLE INSTALLATION**

Head to the individual product 'Cabinetry' section in this Planning Guide for details.



**STACKED OR GRID**

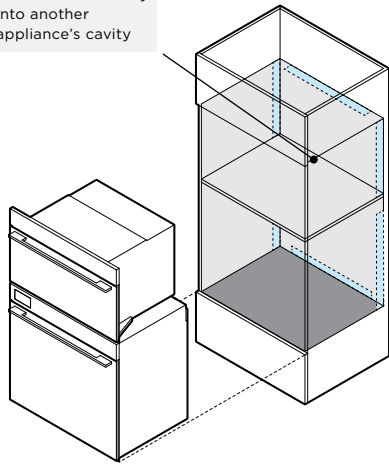
Head to the 'Stack Height' section in this Planning Guide for details.



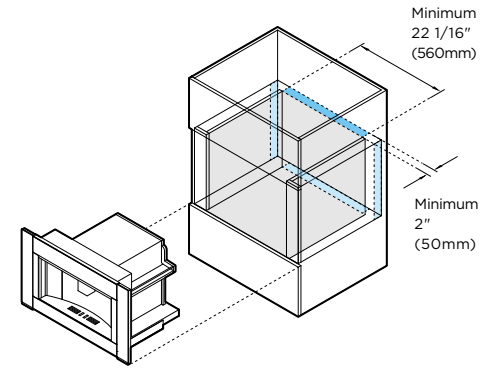
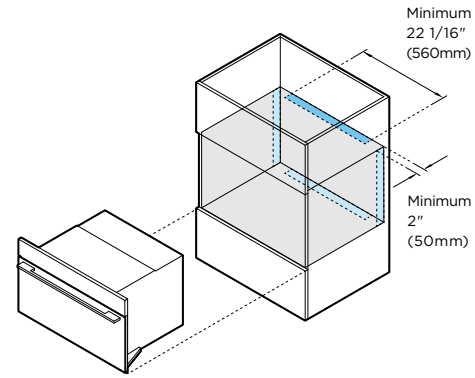
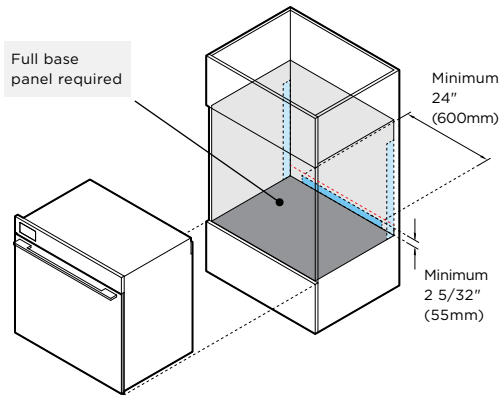
Clearances	inch	mm
(A) Minimum clearance above product control panel/front panel to upper cabinetry front panel or appliance	1/16	2
(B) Minimum clearance between adjacent front panel or appliance	1/16	2

The models shown in this Planning Guide may not be available in all markets and are subject to change at any time. Product specifications may vary from those shown. This Planning Guide should not be used as installation guidance for any product. Further information is required to safely and correctly install the products featured here. Specific installation guidance will be available with the product on delivery and on our website fisherpaykel.com

Do not vent directly into another appliance's cavity



Full base panel required



Options for total minimum ventilation area

**VENTILATION**

Ventilation is required to ensure proper performance of certain products.

**Possible Venting Locations:**

- Space behind the cabinet
- Upper cavity (not a product cavity)
- Toe kick cavity
- Adjacent cabinetry (not a product cavity)

**Cabinet with back panel or installed against a wall:**

Select one of the venting locations listed above, providing the required minimum ventilation area.

**Cabinet without back panel:**

If the cabinet is manufactured without a back panel and is not positioned directly against a wall, the open back will provide sufficient ventilation.

Do not vent directly into another appliance's cavity.

**SELF-CLEANING OVEN AND SELF-CLEANING STEAM ASSIST OVEN**

OB30SMPUB3, OB30SMPUG3, OB30SMPSUB3, OB30SMPSUG3

**VENTILATION PLACEMENT**

	51in <sup>2</sup> (330cm <sup>2</sup> )
	or
Total minimum ventilation area	2 5/32" x 24" (55mm x 600mm)

Cavity venting options*	sides or back
-------------------------	---------------

\*If positioned at the back, it should be located no more than 3 5/32" (80mm) above the bottom of the chassis datum.

Note: Full base panel required for product to operate correctly. Venting can not be through the base panel.

**COMPACT CONVECTION-SPEED OVEN**

OM30NMUB3, OM30NMUG3

**VENTILATION PLACEMENT**

	43.4in <sup>2</sup> (280cm <sup>2</sup> )
	or
Total minimum ventilation area	2" x 22 1/16" (50mm x 560mm)

Cavity venting options	base, sides or top
------------------------	--------------------

**BUILT-IN COFFEE MAKER**

EB30MSB3

**VENTILATION PLACEMENT**

	43.4in <sup>2</sup> (280cm <sup>2</sup> )
	or
Total minimum ventilation area	2" x 22 1/16" (50mm x 560mm)

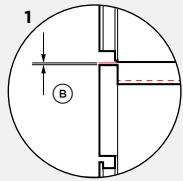
Cavity venting options	base, sides or top
------------------------	--------------------

The models shown in this Planning Guide may not be available in all markets and are subject to change at any time. Product specifications may vary from those shown. This Planning Guide should not be used as installation guidance for any product. Further information is required to safely and correctly install the products featured here. Specific installation guidance will be available with the product on delivery and on our website fisherpaykel.com

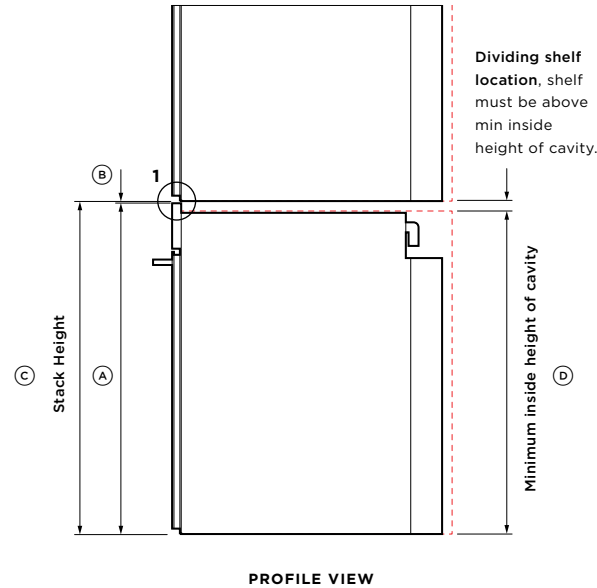
**STACK HEIGHT**

Stack height is overall product height with minimum clearance above appliance control panel or front panel.

$$\begin{array}{l}
 \text{(A) Overall product height} \\
 + \\
 \text{(B) Minimum clearance above appliance control panel or front panel to upper appliance} \\
 = \\
 \text{(C) Stacked Height}
 \end{array}$$



PROFILE VIEW



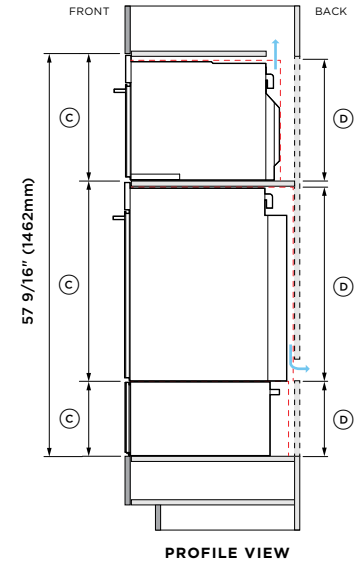
Dividing shelf location, shelf must be above min inside height of cavity.

**Ventilation** air vent is required at rear of cabinetry for some products.

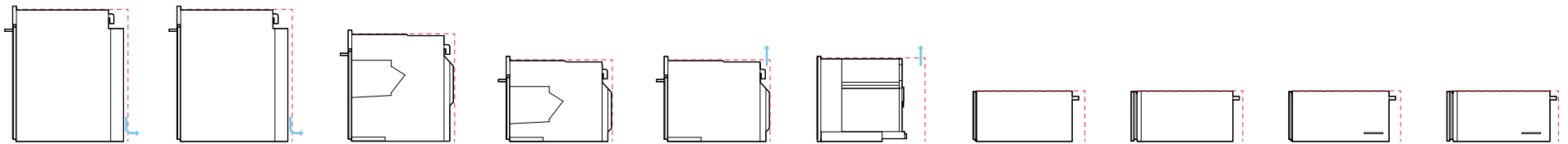
**Dividing shelves** are required to support stacked appliances and to achieve correct clearance.

**Dividing shelves** must be constructed from material that will support the weight of the appliances. Ensure the oven is not bearing any weight from cabinetry or products installed above.

**Drawers** can fully support a 30inch Fisher & Paykel oven, without adding a shelf in between.



**MINIMUM INSIDE HEIGHT OF CAVITY**



DIMENSIONS	SELF-CLEANING OVEN OB30SMPUB3, OB30SMPUG3		SELF-CLEANING STEAM ASSIST OVEN OB30SMPSUB3, OB30SMPSUG3		COMBI-STEAM OVEN OS30SMUB3, OS30SMUG3		COMPACT COMBI-STEAM OVEN OS30NMUB3, OS30NMUG3		COMPACT CONVECTION-SPEED OVEN OM30NMUB3, OM30NMUG3		BUILT-IN COFFEE MAKER EB30MSB3		WARMING DRAWER WB30SMB3, WB30SMG3		INTEGRATED WARMING DRAWER WB30SDEI3		VACUUM SEAL DRAWER VB30SMB3, VB30SMG3		INTEGRATED VACUUM SEAL DRAWER VB30SDEI3	
	inch	mm	inch	mm	inch	mm	inch	mm	inch	mm	inch	mm	inch	mm	inch	mm	inch	mm	inch	mm
(A) Overall product height	28 11/16	729	28 11/16	729	23 9/16	598	18	458	18	458	18	458	10 11/16	271	10 11/16	271	10 11/16	271	10 11/16	271
(B) Minimum clearance above	1/16	2	1/16	2	1/16	2	1/16	2	1/16	2	1/16	2	-	-	-	-	-	-	-	-
(C) Stack height	28 3/4	731	28 3/4	731	24	600	18 1/8	460	18 1/8	460	18 1/8	460	10 11/16*	271*	10 11/16*	271*	10 11/16*	271*	10 11/16*	271*
(D) Minimum inside height of cavity	28 1/32	712	28 1/32	712	22 13/16	580	17 5/16	440	17 5/16	440	17 3/4	450	-	-	-	-	-	-	-	-

\*Drawers can fully support 30inch Fisher & Paykel wall oven, without adding shelf in between. Note: Single installation of Drawers require minimum clearance above, head to individual product 'Cabinetry' section's of this Planning Guide for more details.

The models shown in this Planning Guide may not be available in all markets and are subject to change at any time. Product specifications may vary from those shown. This Planning Guide should not be used as installation guidance for any product. Further information is required to safely and correctly install the products featured here. Specific installation guidance will be available with the product on delivery and on our website fisherpaykel.com

<b>Model no:</b>		
OB30SMPUB3	30" Series 9 Minimal Self-Cleaning Oven - Black	
OB30SMPUG3	30" Series 9 Minimal Self-Cleaning Oven - Grey	

Product Dimensions	inch	mm
(A) Overall height of product	28 11/16	729
(B) Overall width of product	29 7/8	758
(C) Thickness of control panel (excludes handle)	13/16	20

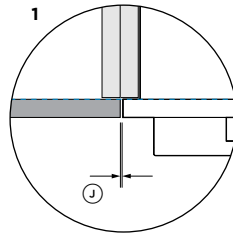
Cabinetry Dimensions	inch	mm
(D) Recommended cabinet height/stack height	28 3/4	731
(E) Recommended cabinet width	30	762
(F) Minimum inside height of cavity	28 1/32	712
(G) Minimum inside width of cavity	28 1/2	724
(H) Minimum inside depth of cavity*	23 1/2	597
(I) Thickness of cabinetry front panel	5/8-13/16	16-20
Rear ventilation height**	2 5/32	55
Rear ventilation width**	24	600

\*Measured from front of chassis.  
 \*\*A minimum ventilation area of 51in<sup>2</sup> (330cm<sup>2</sup>), equivalent to 2" x 22 1/16" 2 5/32" x 24" (55mm x 600mm), is required. For more information, refer to the 'Ventilation' section of this Planning Guide.

Note: Cabinetry requires a full base panel.

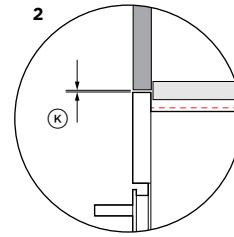
Cabinetry clearances	inch	mm
(J) Minimum clearance between adjacent front panel or appliance	1/16	2
(K) Minimum clearance above product control panel to upper cabinetry front panel or appliance	1/16	2

Note: If installing a cooktop above the oven, ensure adequate clearance is provided for the cooktop as per the cooktop manufacturer's instructions.



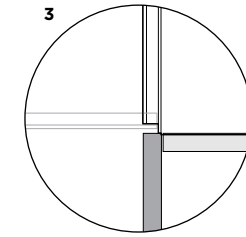
ADJACENT CABINET

PLAN VIEW



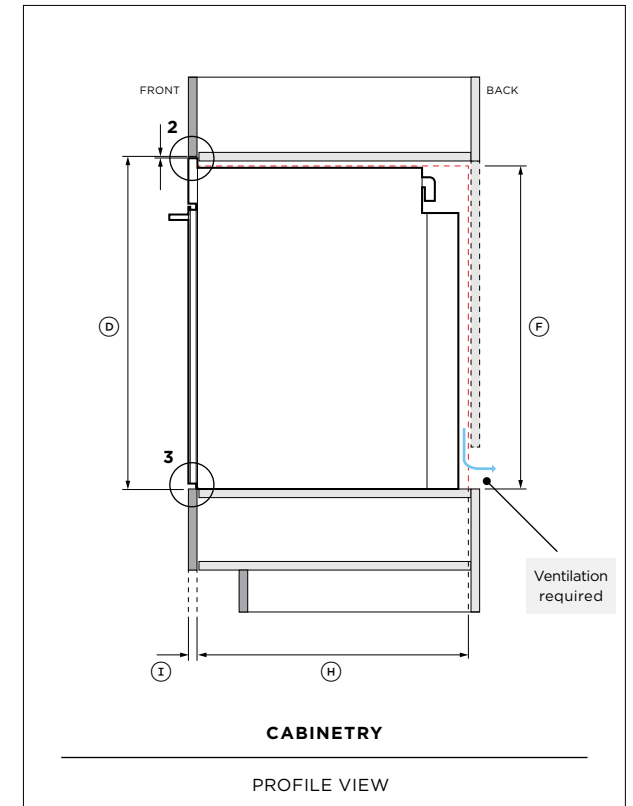
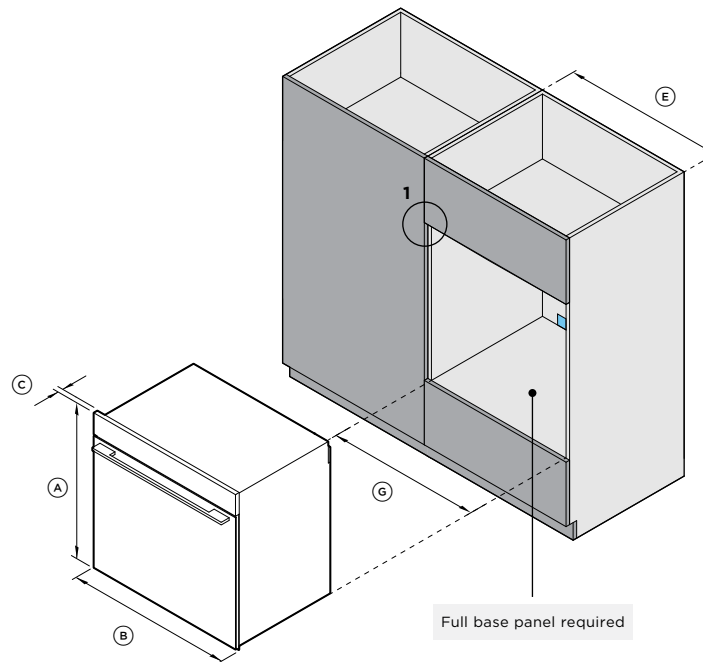
ABOVE CLEARANCE

PROFILE VIEW



BOTTOM CLEARANCE

Requires no clearance as door swings into product height



CABINETRY

PROFILE VIEW

The models shown in this Planning Guide may not be available in all markets and are subject to change at any time. Product specifications may vary from those shown. This Planning Guide should not be used as installation guidance for any product. Further information is required to safely and correctly install the products featured here. Specific installation guidance will be available with the product on delivery and on our website fisherpaykel.com

**Model no:**

OB30SMPSUB3	30" Series 11 Minimal Self-Cleaning Steam Assist Oven - Black
OB30SMPSUG3	30" Series 11 Minimal Self-Cleaning Steam Assist Oven - Grey

Product Dimensions	inch	mm
(A) Overall height of product	28 11/16	729
(B) Overall width of product	29 7/8	758
(C) Thickness of control panel (excludes handle)	13/16	20

Cabinetry Dimensions	inch	mm
(D) Recommended cabinet height/stack height	28 3/4	731
(E) Recommended cabinet width	30	762
(F) Minimum inside height of cavity	28 1/32	712
(G) Minimum inside width of cavity	28 1/2	724
(H) Minimum inside depth of cavity*	23 1/2	597
(I) Thickness of cabinetry front panel	5/8-13/16	16-20
Rear ventilation height**	2 5/32	55
Rear ventilation width**	24	600

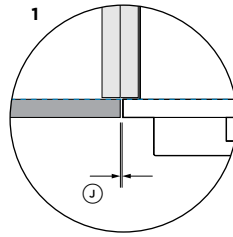
\*Measured from front of chassis.

\*\*A minimum ventilation area of 51in<sup>2</sup> (330cm<sup>2</sup>), equivalent to 2" x 22 1/16" 2 5/32" x 24" (55mm x 600mm), is required. For more information, refer to the 'Ventilation' section of this Planning Guide.

Note: Cabinetry requires a full base panel.

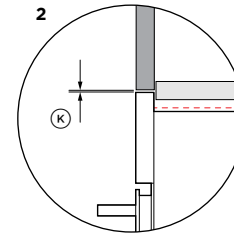
Cabinetry clearances	inch	mm
(J) Minimum clearance between adjacent front panel or appliance	1/16	2
(K) Minimum clearance above product control panel to upper cabinetry front panel or appliance	1/16	2

Note: If installing a cooktop above the oven, ensure adequate clearance is provided for the cooktop as per the cooktop manufacturer's instructions.



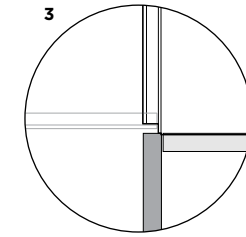
**ADJACENT CABINET**

PLAN VIEW



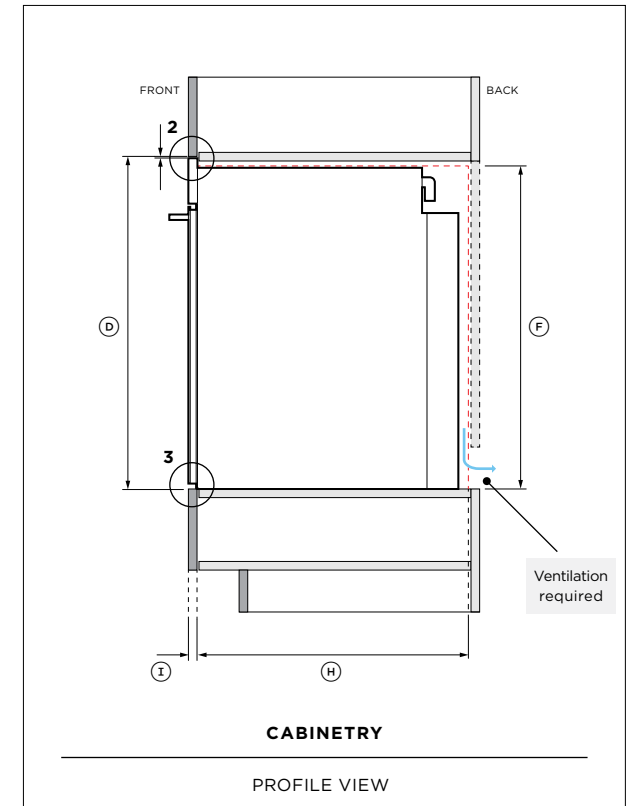
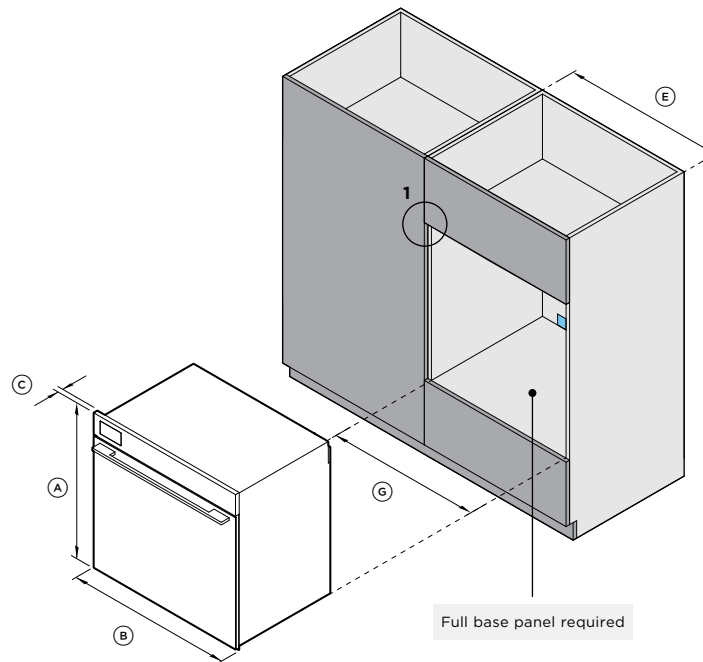
**ABOVE CLEARANCE**

PROFILE VIEW



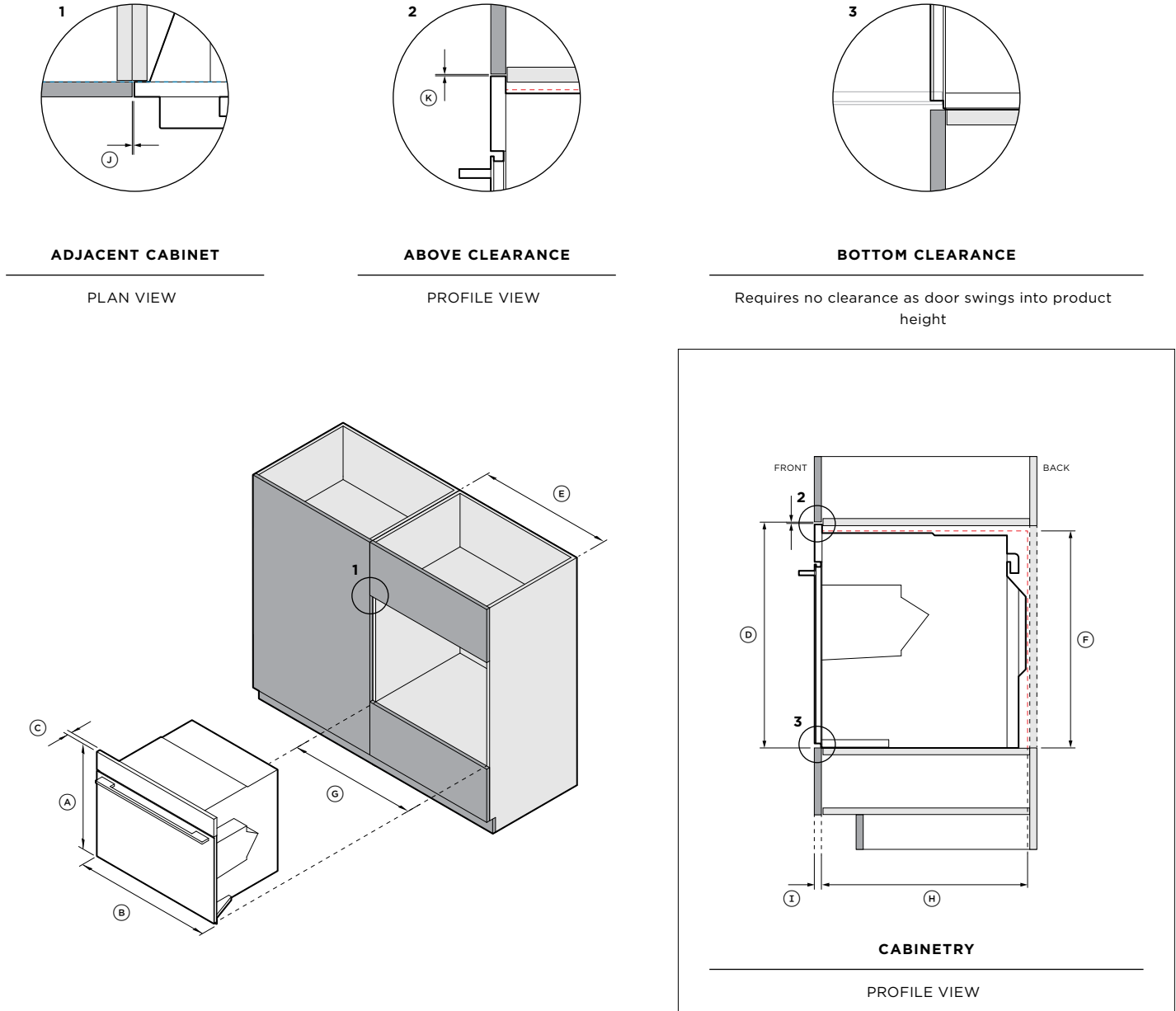
**BOTTOM CLEARANCE**

Requires no clearance as door swings into product height



<b>Model no:</b>		
OS30SMUB3	30" Series 11 Minimal Combi-Steam Oven - Black	
OS30SMUG3	30" Series 11 Minimal Combi-Steam Oven - Grey	
<b>Product Dimensions</b>		
	<b>inch</b>	<b>mm</b>
(A) Overall height of product	23 9/16	598
(B) Overall width of product	29 7/8	758
(C) Thickness of control panel (excludes handle)	13/16	20
<b>Cabinetry Dimensions</b>		
	<b>inch</b>	<b>mm</b>
(D) Recommended cabinet height/stack height	24	600
(E) Recommended cabinet width	30	762
(F) Minimum inside height of cavity	22 13/16	580
(G) Minimum inside width of cavity	28 1/2	724
(H) Minimum inside depth of cavity*	21 5/8	550
(I) Thickness of cabinetry front panel	5/8-13/16	16-20
*Measured from front of chassis.		
<b>Cabinetry clearances</b>		
	<b>inch</b>	<b>mm</b>
(J) Minimum clearance between adjacent front panel or appliance	1/16	2
(K) Minimum clearance above product control panel to upper cabinetry front panel or appliance	1/16	2

Note: If installing a cooktop above the oven, ensure adequate clearance is provided for the cooktop as per the cooktop manufacturer's instructions.



The models shown in this Planning Guide may not be available in all markets and are subject to change at any time. Product specifications may vary from those shown. This Planning Guide should not be used as installation guidance for any product. Further information is required to safely and correctly install the products featured here. Specific installation guidance will be available with the product on delivery and on our website fisherpaykel.com

**Model no:**

OS30NMUB3	30" Series 9 Minimal Compact Combi-Steam Oven - Black
OS30NMUG3	30" Series 9 Minimal Compact Combi-Steam Oven - Grey

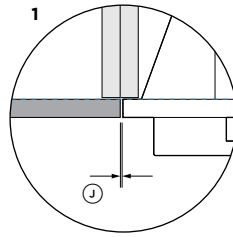
Product Dimensions	inch	mm
(A) Overall height of product	18	458
(B) Overall width of product	29 7/8	758
(C) Thickness of control panel (excludes handle)	13/16	20

Cabinetry Dimensions	inch	mm
(D) Recommended cabinet height/stack height	18 1/8	460
(E) Recommended cabinet width	30	762
(F) Minimum inside height of cavity	17 5/16	440
(G) Minimum inside width of cavity	28 1/2	724
(H) Minimum inside depth of cavity*	21 5/8	550
(I) Thickness of cabinetry front panel	5/8-13/16	16-20

\*Measured from front of chassis.

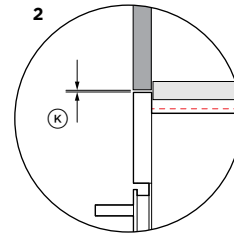
Cabinetry clearances	inch	mm
(J) Minimum clearance between adjacent front panel or appliance	1/16	2
(K) Minimum clearance above product control panel to upper cabinetry front panel or appliance	1/16	2

Note: If installing a cooktop above the oven, ensure adequate clearance is provided for the cooktop as per the cooktop manufacturer's instructions.



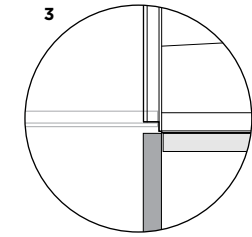
**ADJACENT CABINET**

PLAN VIEW



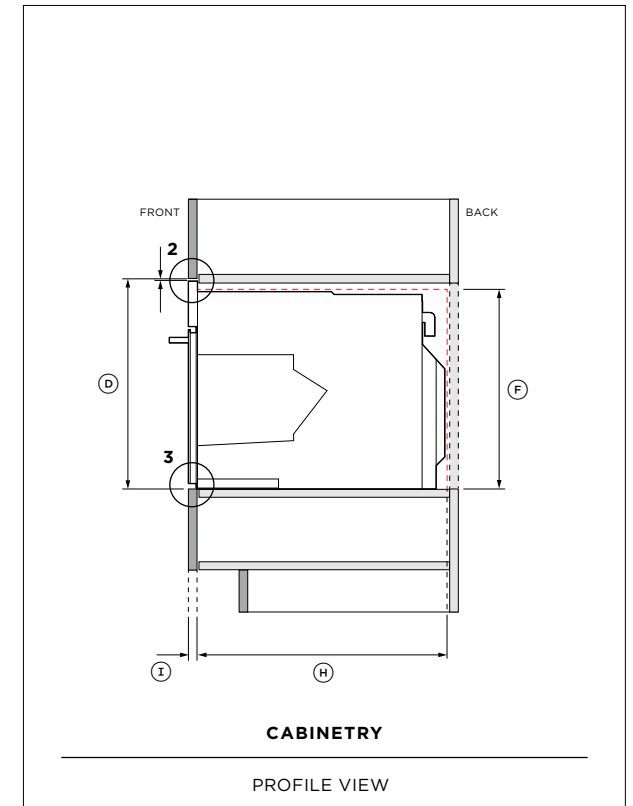
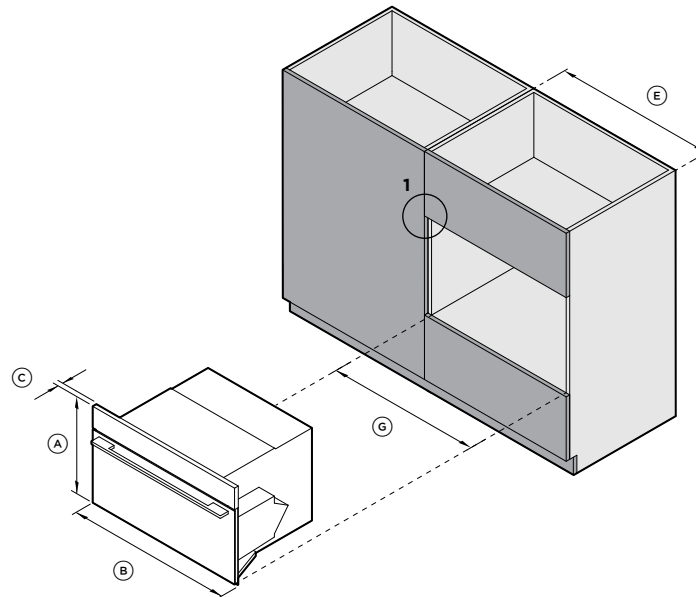
**ABOVE CLEARANCE**

PROFILE VIEW

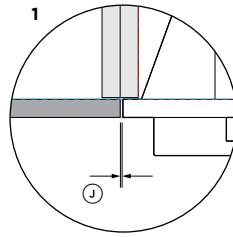


**BOTTOM CLEARANCE**

Requires no clearance as door swings into product height

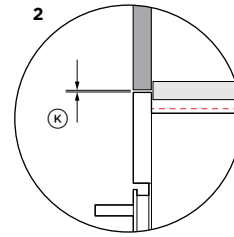


<b>Model no:</b>		
OM30NMUB3	30" Series 9 Minimal Compact Convection-Speed Oven - Black	
OM30NMUG3	30" Series 9 Minimal Compact Convection-Speed Oven - Grey	
<b>Product Dimensions</b>		
	<b>inch</b>	<b>mm</b>
(A) Overall height of product	18	458
(B) Overall width of product	29 7/8	758
(C) Thickness of control panel (excludes handle)	13/16	20
<b>Cabinetry Dimensions</b>		
	<b>inch</b>	<b>mm</b>
(D) Recommended cabinet height/stack height	18 1/8	460
(E) Recommended cabinet width	30	762
(F) Minimum inside height of cavity	17 5/16	440
(G) Minimum inside width of cavity	28 1/2	724
(H) Minimum inside depth of cavity*	21 5/8	550
(I) Thickness of cabinetry front panel	5/8-13/16	16-20
Rear ventilation height**	2	50
Rear ventilation width**	22 1/16	560
*Measured from front of chassis.		
**A minimum ventilation area of 43.4in <sup>2</sup> (280cm <sup>2</sup> ), equivalent to 2" x 22 1/16" (50mm x 560mm), is required. For more information, refer to the 'Ventilation' section of this Planning Guide.		
<b>Cabinetry clearances</b>		
	<b>inch</b>	<b>mm</b>
(J) Minimum clearance between adjacent front panel or appliance	1/16	2
(K) Minimum clearance above product control panel to upper cabinetry front panel or appliance	1/16	2
Note: If installing a cooktop above the oven, ensure adequate clearance is provided for the cooktop as per the cooktop manufacturer's instructions.		



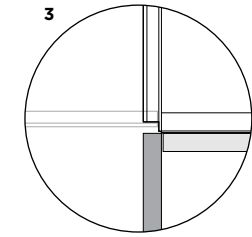
ADJACENT CABINET

PLAN VIEW



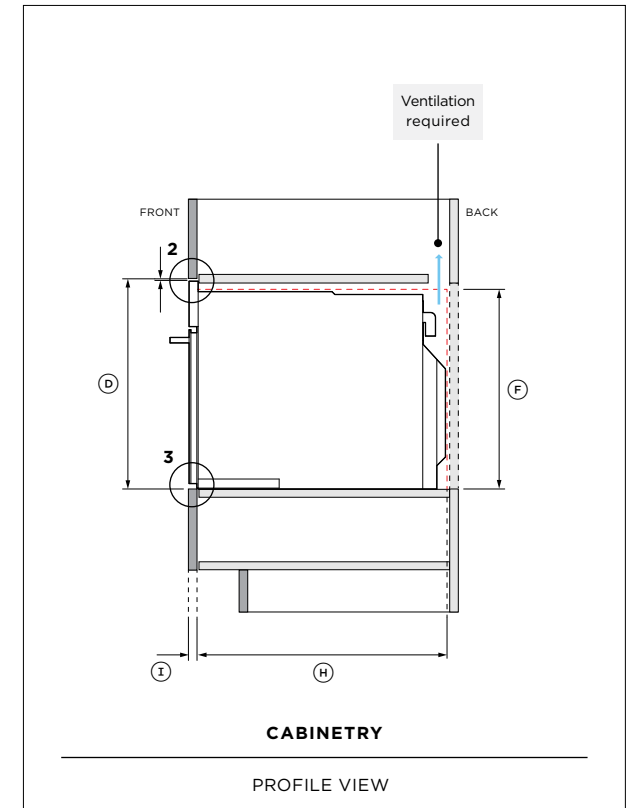
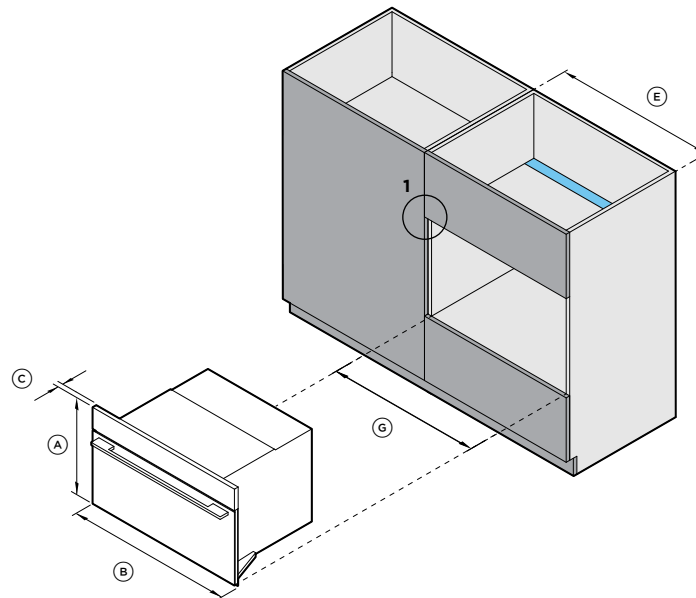
ABOVE CLEARANCE

PROFILE VIEW



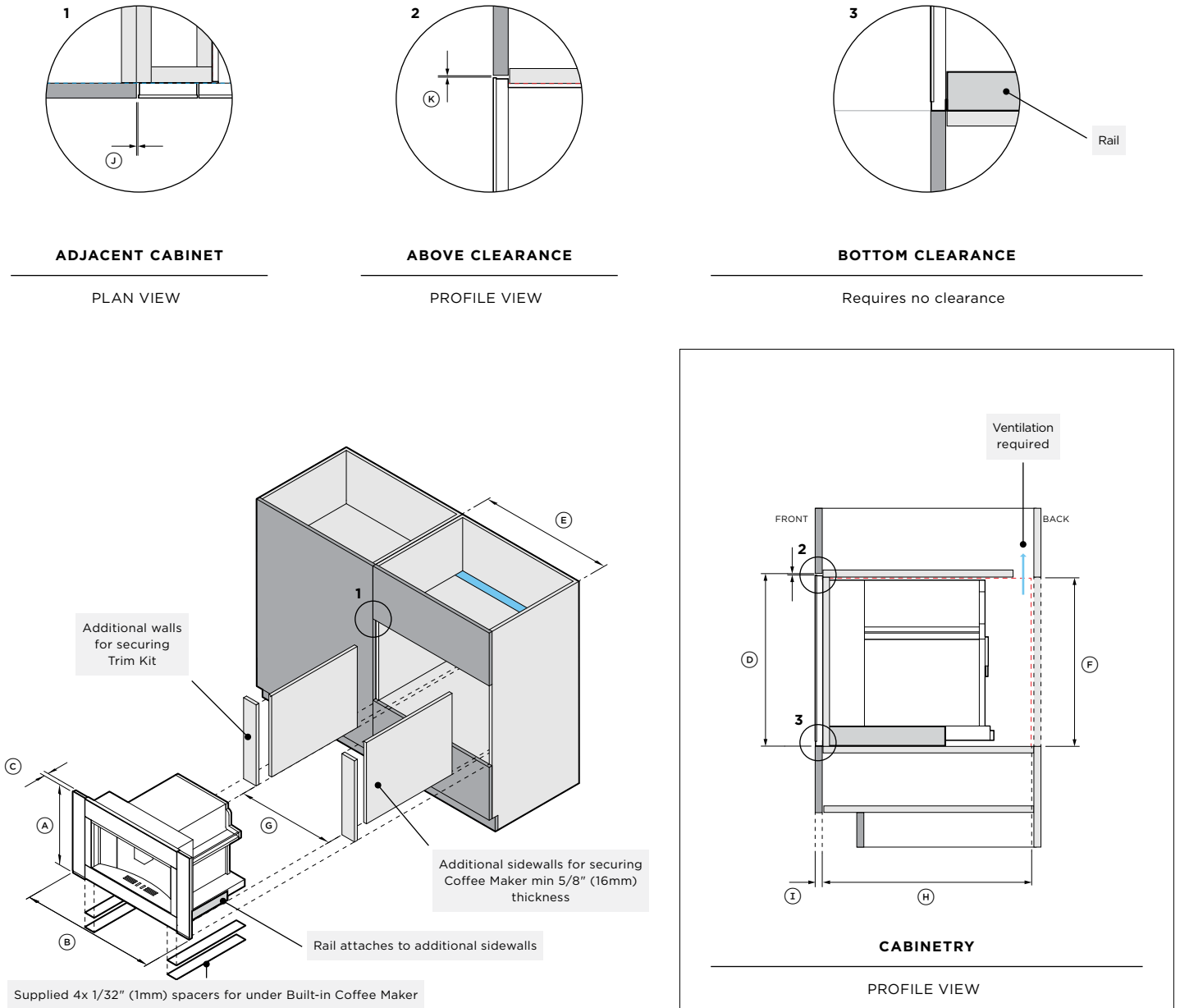
BOTTOM CLEARANCE

Requires no clearance as door swings into product height



The models shown in this Planning Guide may not be available in all markets and are subject to change at any time. Product specifications may vary from those shown. This Planning Guide should not be used as installation guidance for any product. Further information is required to safely and correctly install the products featured here. Specific installation guidance will be available with the product on delivery and on our website fisherpaykel.com

<b>Model no:</b>		
EB30MSB3 30" Series 9 Minimal Built-in Coffee Maker - Black		
<b>Product Dimensions</b>		
	<b>inch</b>	<b>mm</b>
(A) Overall height of product	18	458
(B) Overall width of product	29 7/8	758
(C) Thickness of control panel	13/16	20
<b>Cabinetry Dimensions</b>		
	<b>inch</b>	<b>mm</b>
(D) Recommended cabinet height/stack height	18 1/8	460
(E) Recommended cabinet width	30	762
(F) Minimum inside height of cavity	17 3/4	450
(G) Minimum inside width of cavity	22 1/16	560
(H) Minimum inside depth of cavity*	22 13/16	545
(I) Thickness of cabinetry front panel	5/8-13/16	16-20
Rear ventilation height**	2	50
Rear ventilation width**	22 1/16	560
*Measured from front of chassis.		
**A minimum ventilation area of 43.4in <sup>2</sup> (280cm <sup>2</sup> ), equivalent to 2" x 22 1/16" (50mm x 560mm), is required. For more information, refer to the 'Ventilation' section of this Planning Guide.		
<b>Cabinetry clearances</b>		
	<b>inch</b>	<b>mm</b>
(J) Minimum clearance between adjacent front panel or appliance	1/16	2
(K) Minimum clearance above product control panel to upper cabinetry front panel or appliance	1/16	2
Note: If installing a cooktop above the oven, ensure adequate clearance is provided for the cooktop as per the cooktop manufacturer's instructions.		



The models shown in this Planning Guide may not be available in all markets and are subject to change at any time. Product specifications may vary from those shown. This Planning Guide should not be used as installation guidance for any product. Further information is required to safely and correctly install the products featured here. Specific installation guidance will be available with the product on delivery and on our website fisherpaykel.com

**Model no:**

WB30SMB3	30" Series 9 Minimal Warming Drawer - Black
WB30SMG3	30" Series 9 Minimal Warming Drawer - Grey

**Product Dimensions**

	inch	mm
(A) Overall height of product	10 11/16	271
(B) Overall width of product	29 7/8	758
(C) Thickness of front panel	13/16	20

Note: Drawers can fully support 30inch Fisher & Paykel ovens, without adding shelf in between.

**Cabinetry Dimensions**

	inch	mm
(D) Recommended cabinet height - single install	10 3/4	273
(E) Recommended cabinet width	30	762
(F) Minimum inside height of cavity	10 3/4	273
(G) Minimum inside width of cavity	28 1/2	724
(H) Minimum inside depth of cavity*	22 13/16	580
(I) Thickness of cabinetry front panel	5/8-13/16	16-20

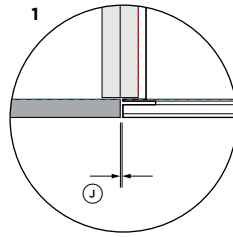
\*Measured from front of chassis.

**Cabinetry clearances**

	inch	mm
(J) Minimum clearance between adjacent front panel or appliance	1/16	2
(K) Minimum clearance above products front panel to upper cabinetry front panel or appliance*	5/32	4

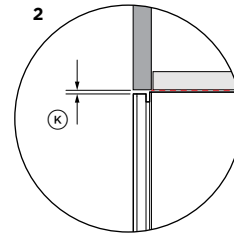
\*Achieve a smaller gap between product front panel to upper cabinetry front panel by dropping cabinetry front panel down.

Note: If installing a cooktop above the oven, ensure adequate clearance is provided for the cooktop as per the cooktop manufacturer's instructions.



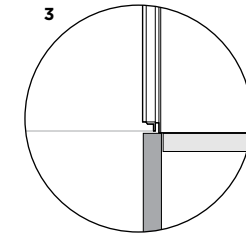
ADJACENT CABINET

PLAN VIEW



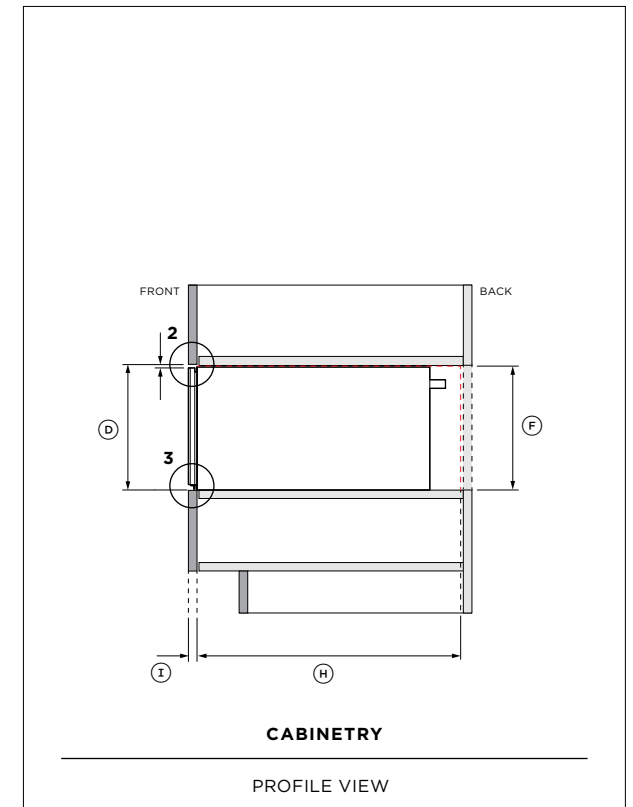
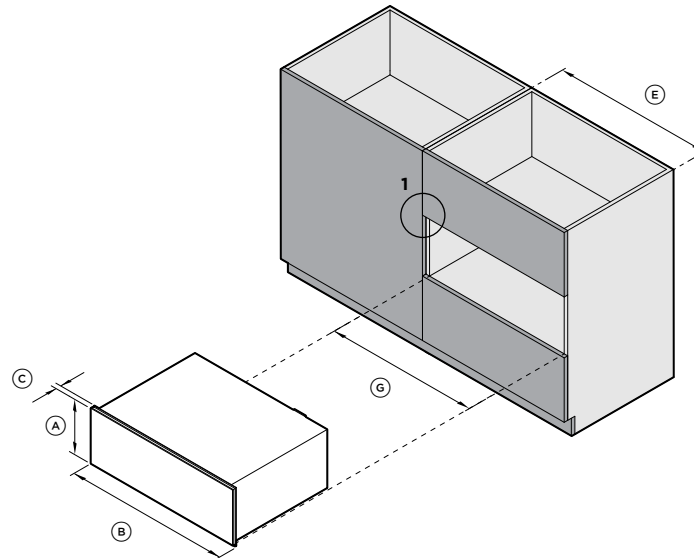
ABOVE CLEARANCE

PROFILE VIEW



BOTTOM CLEARANCE

Requires no clearance



The models shown in this Planning Guide may not be available in all markets and are subject to change at any time. Product specifications may vary from those shown. This Planning Guide should not be used as installation guidance for any product. Further information is required to safely and correctly install the products featured here. Specific installation guidance will be available with the product on delivery and on our website fisherpaykel.com

**Model no:**  
WB30SDEI3 30" Series 9 Integrated Warming Drawer

Product Dimensions	inch	mm
(A) Overall height of product	10 11/16	271
(B) Overall width of product	29 7/8	758
(C) Thickness of custom front panel	min 5/8	min 16

Note: Maximum custom front panel weight 11 lb (5kg).

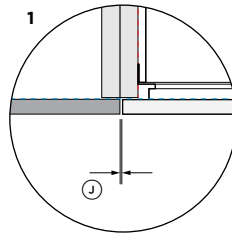
Cabinetry Dimensions	inch	mm
(D) Recommended cabinet height - single install	10 3/4	273
(E) Recommended cabinet width	30	762
(F) Minimum inside height of cavity	10 3/4	273
(G) Minimum inside width of cavity	28 1/2	724
(H) Minimum inside depth of cavity*	22 13/16	580
(I) Thickness of cabinetry front panel	5/8-13/16	16-20

\*Measured from front of chassis.

Cabinetry clearances	inch	mm
(J) Minimum clearance between adjacent front panel or appliance	1/16	2
(K) Clearance behind custom front panel for push-to-open mechanism*	1/16	2
(L) Minimum clearance above product custom front panel to upper cabinetry front panel or appliance	1/16	2

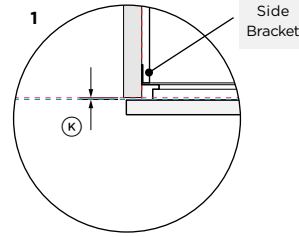
\*A clearance of 1/16" (2mm) between the cabinet and the custom front panel is required for the push-to-open mechanism (spacer included).

Note: Drawers can fully support 30inch Fisher & Paykel ovens, without adding shelf in between.



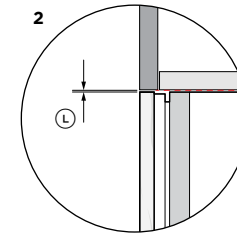
ADJACENT CABINET

PLAN VIEW



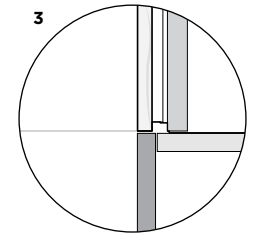
CABINETRY OPENING CLEARANCE

PLAN VIEW



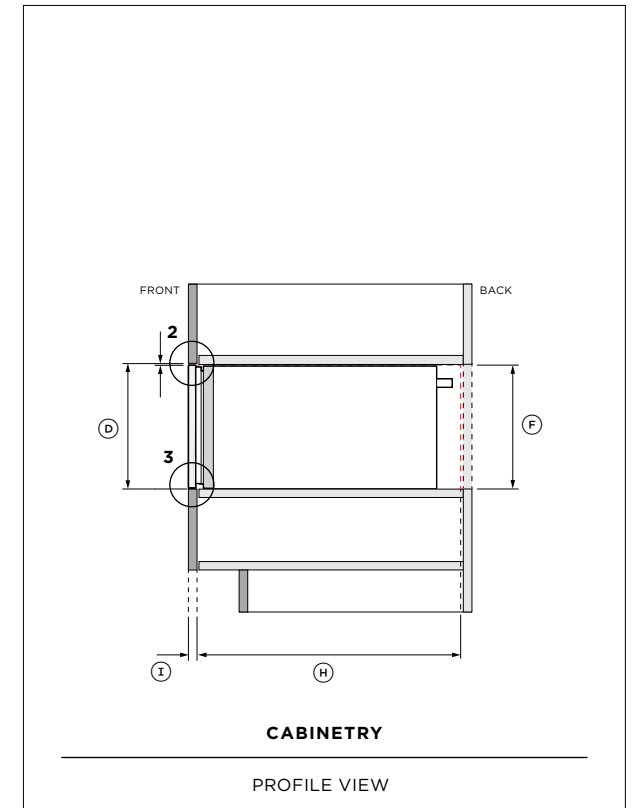
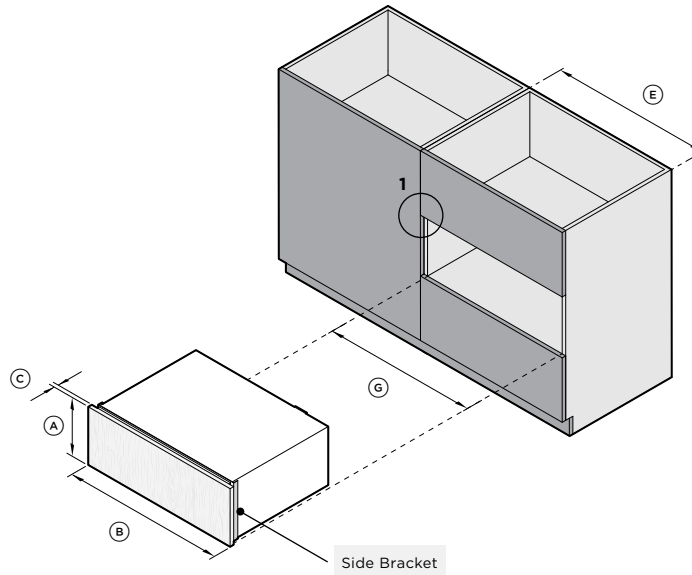
ABOVE CLEARANCE

PROFILE VIEW



BOTTOM CLEARANCE

Requires no clearance



The models shown in this Planning Guide may not be available in all markets and are subject to change at any time. Product specifications may vary from those shown. This Planning Guide should not be used as installation guidance for any product. Further information is required to safely and correctly install the products featured here. Specific installation guidance will be available with the product on delivery and on our website fisherpaykel.com

**Model no:**

VB30SMB3	30" Series 9 Minimal Vacuum Seal Drawer - Black
VB30SMG3	30" Series 9 Minimal Vacuum Seal Drawer - Grey

**Product Dimensions**

	inch	mm
(A) Overall height of product	10 11/16	271
(B) Overall width of product	29 7/8	758
(C) Thickness of front panel	13/16	20

Note: Drawers can fully support 30inch Fisher & Paykel ovens, without adding shelf in between.

**Cabinetry Dimensions**

	inch	mm
(D) Recommended cabinet height - single install	10 3/4	273
(E) Recommended cabinet width	30	762
(F) Minimum inside height of cavity	10 3/4	273
(G) Minimum inside width of cavity*	28 1/2	724
(H) Minimum inside depth of cavity**	22 13/16	580
(I) Thickness of cabinetry front panel	5/8-13/16	16-20

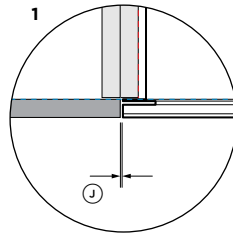
\*Including anti-tip brackets.  
 \*\*Measured from front of chassis.

**Cabinetry clearances**

	inch	mm
(J) Minimum clearance between adjacent front panel or appliance	1/16	2
(K) Minimum clearance above products front panel to upper cabinetry front panel or appliance*	5/32	4

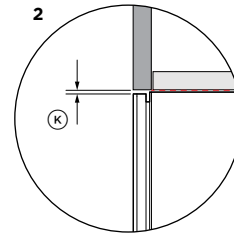
\*Achieve a smaller gap between product front panel to upper cabinetry front panel by dropping cabinetry front panel down.

Note: If installing a cooktop above the oven, ensure adequate clearance is provided for the cooktop as per the cooktop manufacturer's instructions.



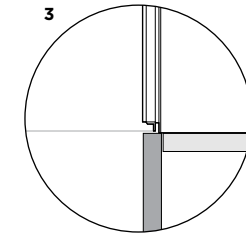
ADJACENT CABINET

PLAN VIEW



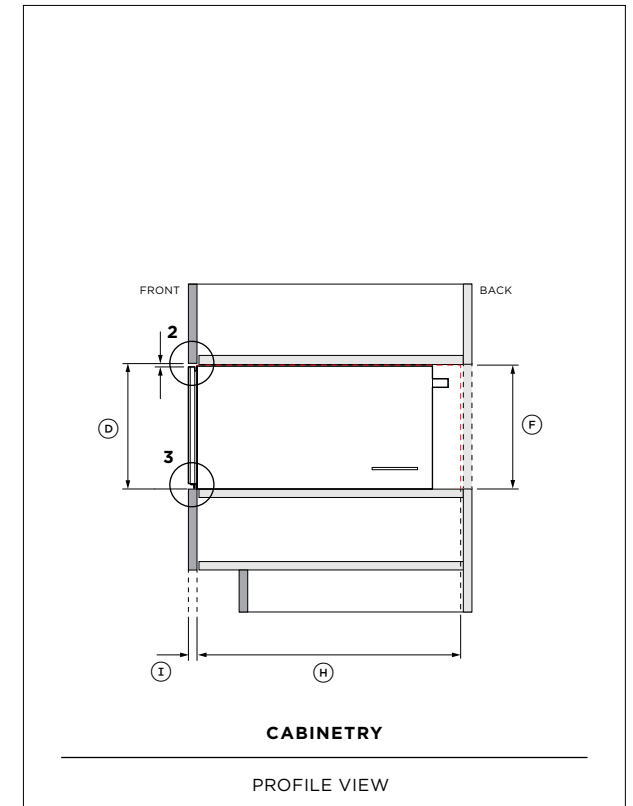
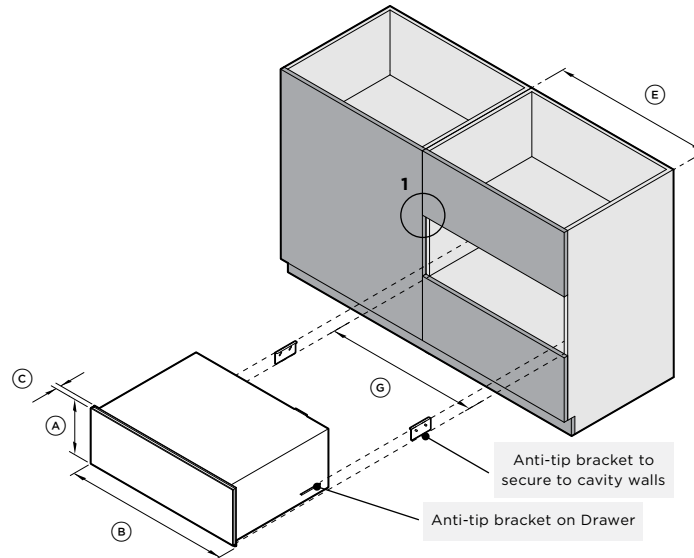
ABOVE CLEARANCE

PROFILE VIEW



BOTTOM CLEARANCE

Requires no clearance

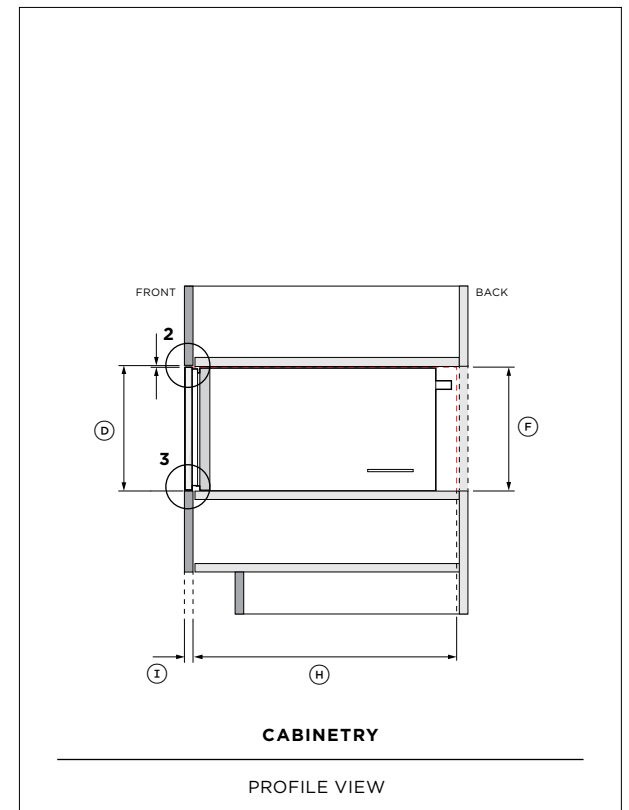
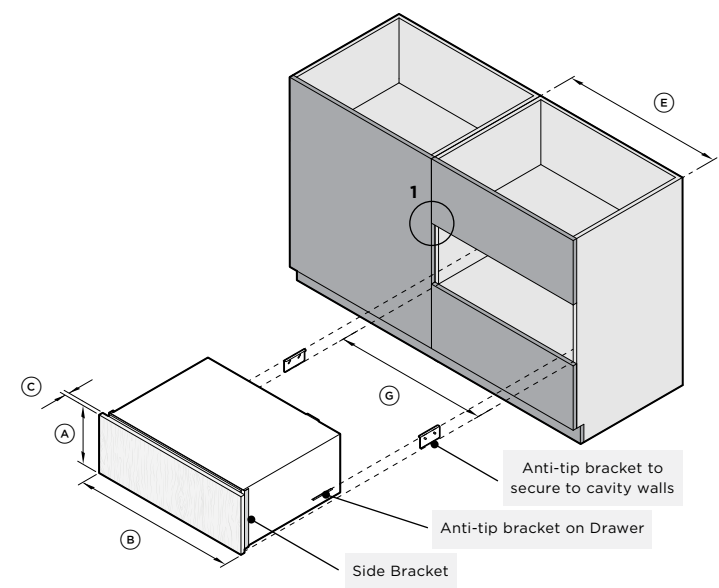
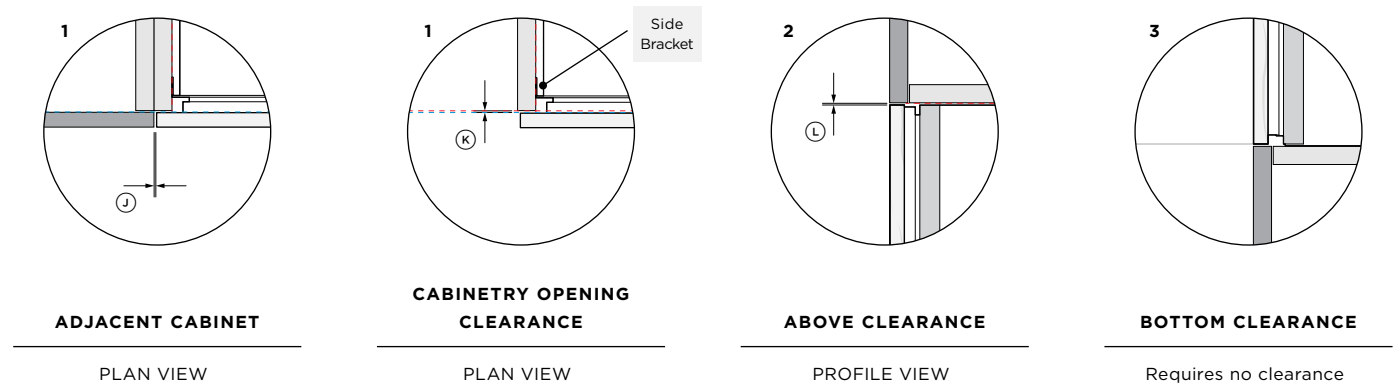


CABINETRY

PROFILE VIEW

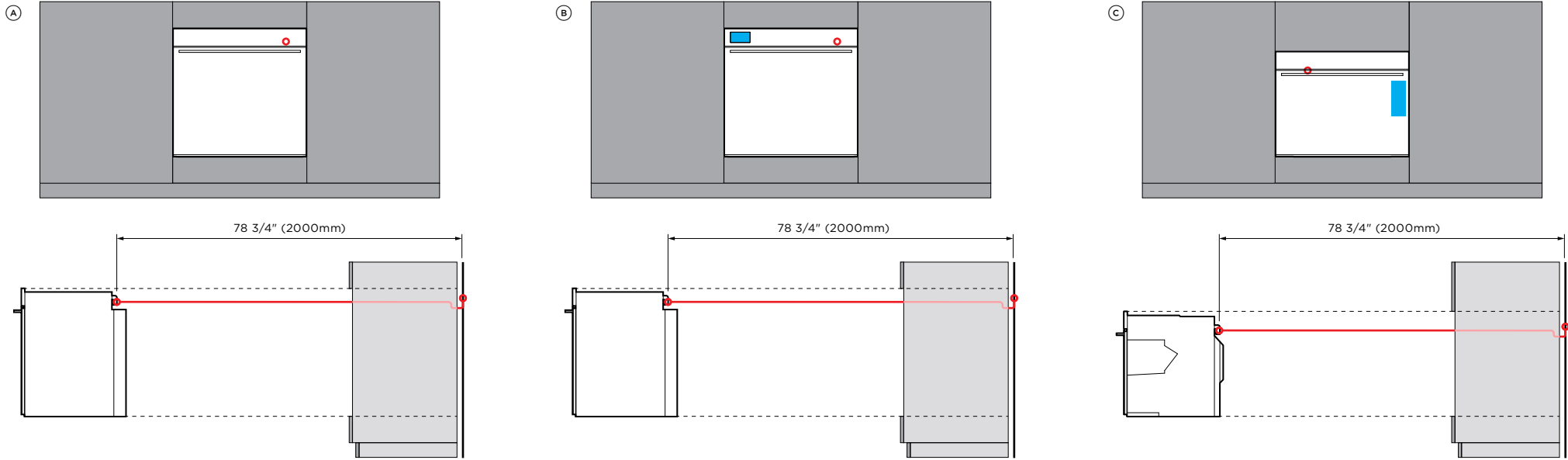
The models shown in this Planning Guide may not be available in all markets and are subject to change at any time. Product specifications may vary from those shown. This Planning Guide should not be used as installation guidance for any product. Further information is required to safely and correctly install the products featured here. Specific installation guidance will be available with the product on delivery and on our website fisherpaykel.com



<b>Model no:</b>		
VB30SDEI3	30" Series 9 Integrated Vacuum Seal Drawer	
<b>Product Dimensions</b>		
	<b>inch</b>	<b>mm</b>
(A) Overall height of product	10 11/16	271
(B) Overall width of product	29 7/8	758
(C) Thickness of custom front panel	min 5/8	min 16
Note: Maximum custom front panel weight 11 lb (5kg).		
<b>Cabinetry Dimensions</b>		
	<b>inch</b>	<b>mm</b>
(D) Recommended cabinet height - single install	10 3/4	273
(E) Recommended cabinet width	30	762
(F) Minimum inside height of cavity	10 3/4	273
(G) Minimum inside width of cavity*	28 1/2	724
(H) Minimum inside depth of cavity**	22 13/16	580
(I) Thickness of cabinetry front panel	5/8-13/16	16-20
*Including anti-tip brackets.		
**Measured from front of chassis.		
<b>Cabinetry clearances</b>		
	<b>inch</b>	<b>mm</b>
(J) Minimum clearance between adjacent front panel or appliance	1/16	2
(K) Clearance behind custom front panel for push-to-open mechanism*	1/16	2
(L) Minimum clearance above product custom front panel to upper cabinetry front panel or appliance	1/16	2
*A clearance of 1/16" (2mm) between the cabinet and the custom front panel is required for the push-to-open mechanism (spacer included).		
Note: Drawers can fully support 30inch Fisher & Paykel ovens, without adding shelf in between.		



The models shown in this Planning Guide may not be available in all markets and are subject to change at any time. Product specifications may vary from those shown. This Planning Guide should not be used as installation guidance for any product. Further information is required to safely and correctly install the products featured here. Specific installation guidance will be available with the product on delivery and on our website fisherpaykel.com

## SERVICES



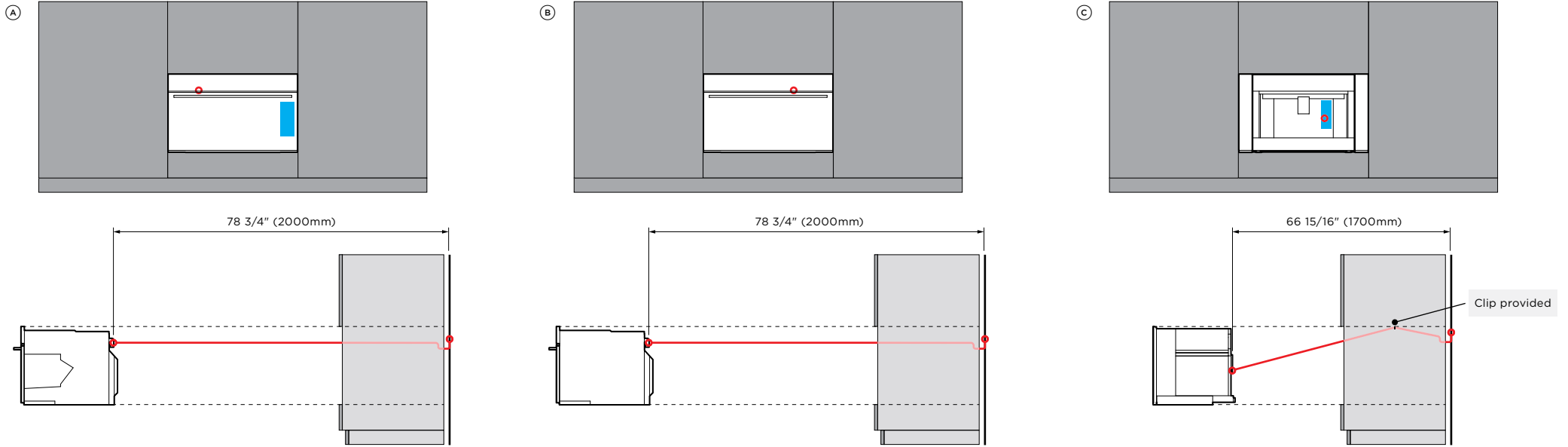
**POWER CABLE**   
**WATER TANK** 

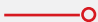
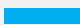
**CONNECTION**

Connections may be located in an adjacent cabinet to either side of the appliance. Ensure power will remain accessible following install to allow access for any future product maintenance.

	(A) SELF-CLEANING OVEN OB30SMPUB3, OB30SMPUG3	(B) SELF-CLEANING STEAM ASSIST OVEN OB30SMPSUB3, OB30SMPSUG3	(C) COMBI-STEAM OVEN OS30SMUB3, OS30SMUG3
<b>POWER CORD</b>			
Maximum power cord length*	78 3/4" (2000mm)	78 3/4" (2000mm)	78 3/4" (2000mm)
Location	Upper right	Upper right	Upper Left
Connection**	Hard wired	Hard wired	Hard wired
*Measured from power outlet, supplied with product. **For more information, refer to the Installation Guide.			
<b>ELECTRICAL</b>			
Supply	208 or 240 V, 60 Hz	208 or 240 V, 60 Hz	208 or 240 V, 60 Hz
Service	20 A	20 A	20 A
Note: Multiple product installation requires the design of power outlets according to local regulations.			
<b>CAPACITY</b>			
Total oven capacity	4.9cu ft (137L)	4.9cu ft (137L)	3cu ft (85L)
Total water tank capacity	-	22.65fl oz (0.67L)	47.3fl oz (1.4L)

The models shown in this Planning Guide may not be available in all markets and are subject to change at any time. Product specifications may vary from those shown. This Planning Guide should not be used as installation guidance for any product. Further information is required to safely and correctly install the products featured here. Specific installation guidance will be available with the product on delivery and on our website fisherpaykel.com



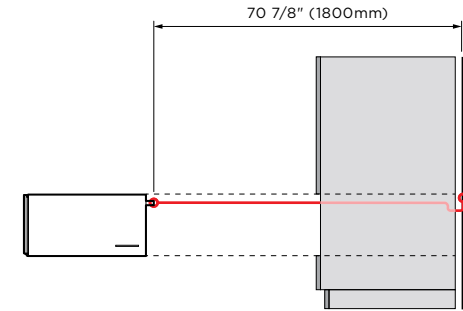
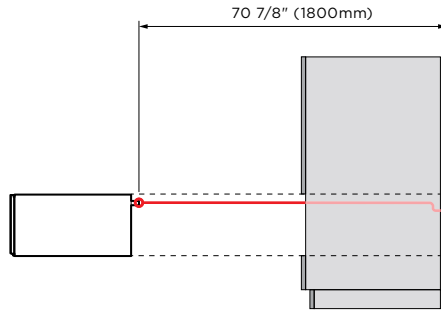
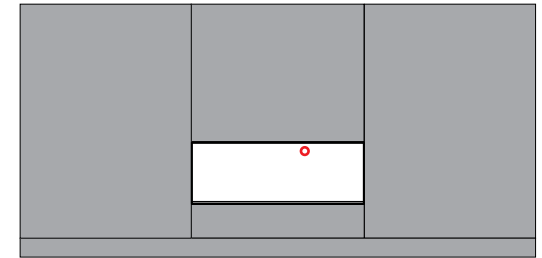
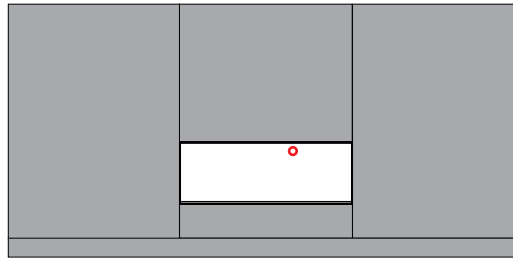
**POWER CABLE**   
**WATER TANK** 



**CONNECTION**

Connections may be located in an adjacent cabinet to either side of the appliance. Ensure power will remain accessible following install to allow access for any future product maintenance.

	(A) COMPACT COMBI-STEAM OVEN OS30NMUB3, OS30NMUG3	(B) COMPACT CONVECTION-SPEED OVEN OM30NMUB3, OM30NMUG3	(C) BUILT-IN COFFEE MAKER EB30MSB3
<b>POWER CORD</b>			
Maximum power cord length*	78 3/4" (2000mm)	78 3/4" (2000mm)	66 15/16" (1700mm)
Location	Upper Left	Upper right	Middle right
Connection**	Hard wired	Hard wired	Plug with flex cord
*Measured from power outlet, supplied with product. **For more information, refer to the Installation Guide.			
<b>ELECTRICAL</b>			
Supply	208 or 240 V, 60 Hz	208 or 240 V, 60 Hz	120V, 60 Hz
Service	20 A	20 A	15 A
Note: Multiple product installation requires the design of power outlets according to local regulations.			
<b>CAPACITY</b>			
Total oven capacity	1.9cu ft (55L)	1.7cu ft (49L)	
Total water tank capacity	47.3fl oz (1.4L)	-	81 fl oz (2.4L)

The models shown in this Planning Guide may not be available in all markets and are subject to change at any time. Product specifications may vary from those shown. This Planning Guide should not be used as installation guidance for any product. Further information is required to safely and correctly install the products featured here. Specific installation guidance will be available with the product on delivery and on our website fisherpaykel.com



**POWER CABLE**   
**WATER TANK** 

**CONNECTION**

Connections may be located in an adjacent cabinet to either side of the appliance. Ensure power will remain accessible following install to allow access for any future product maintenance.

**POWER CORD**

Maximum power cord length\*

Location

Connection\*\*

\*Measured from power outlet, supplied with product. \*\*For more information, refer to the Installation Guide.

**ELECTRICAL**

Supply

Service

**WARMING DRAWER AND INTEGRATED WARMING DRAWER**

WB30SMB3, WB30SMG3, WB30SDEI3

70 7/8" (1800mm)

Upper right

Plug with flex cord

120V, 60 Hz

15 A

**VACUUM SEAL DRAWER AND INTEGRATED VACUUM SEAL DRAWER**

VB30SMB3, VB30SMG3, VB30SDEI3

70 7/8" (1800mm)

Upper right

Plug with flex cord

120V, 60 Hz

15 A

Note: Multiple product installation requires the design of power outlets according to local regulations.

The models shown in this Planning Guide may not be available in all markets and are subject to change at any time. Product specifications may vary from those shown. This Planning Guide should not be used as installation guidance for any product. Further information is required to safely and correctly install the products featured here. Specific installation guidance will be available with the product on delivery and on our website fisherpaykel.com

